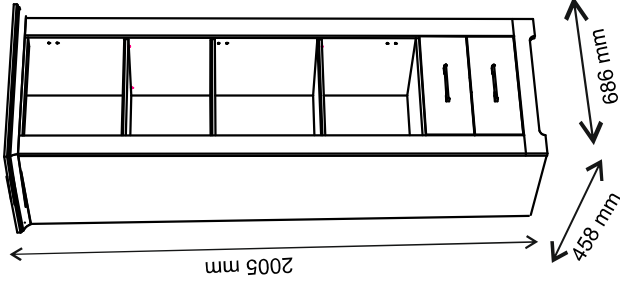
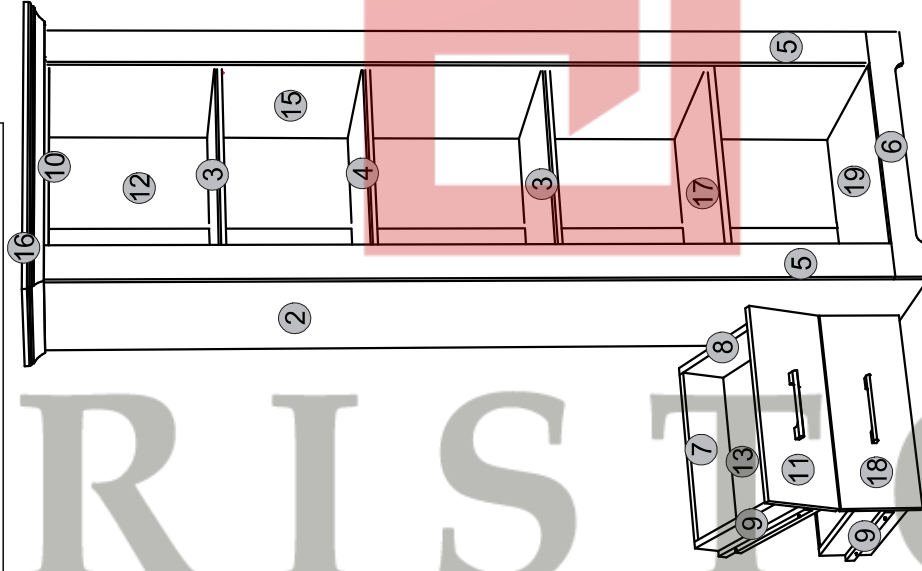
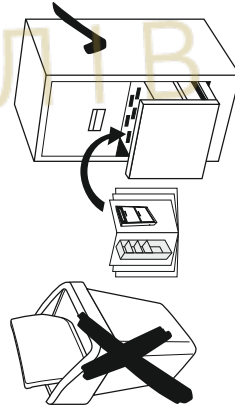
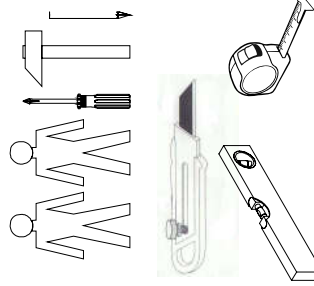
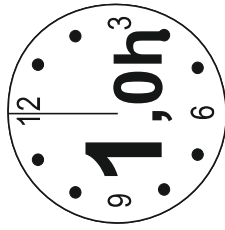
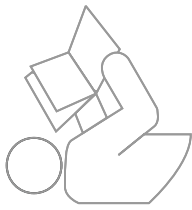
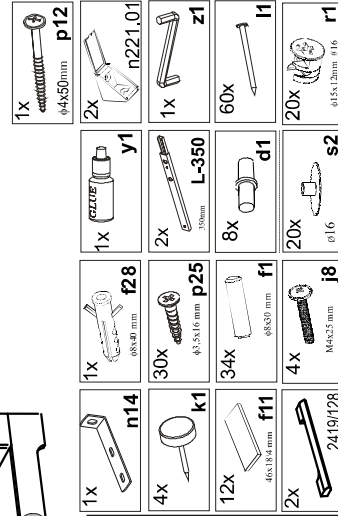


# Instalation manual

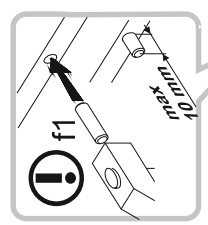
ARSAL: REG OTW 2S



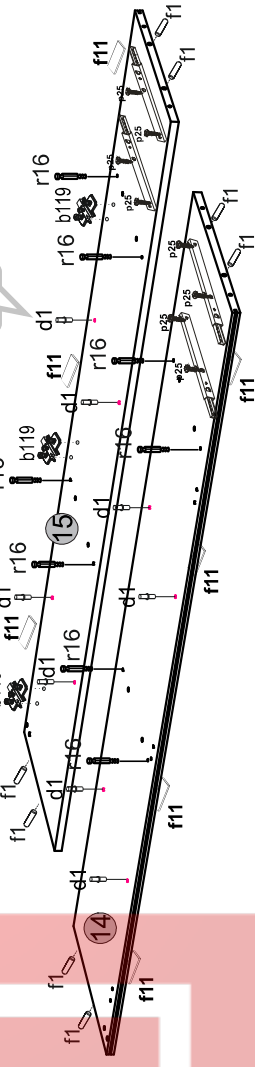
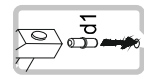
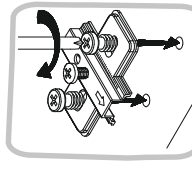
Element symbol	Dimensions	Code	Package
1	1984 404 16	REG_1W2S_1D2S_2S.001	1/1
2	1984 404 16	REG_1W2S_1D2S_2S.002	1/1
3	454 390 16	REG_1W2S_1D2S_2S.008	2/2
4	454 390 16	REG_1W2S_1D2S_2S.009	2/2
5	1904 80 16	REG_1W2S_1D2S_2S.010	1/1
6	612 80 16	REG_1W2S_1D2S_2S.012	1/1
7	396 120 16	REG_1W2S_1D2S_2S.013	2/2
8	350 120 16	REG_1W2S_1D2S_2S.014	2/2
9	350 120 16	REG_1W2S_1D2S_2S.015	2/2
10	454 60 16	REG_1W2S_1D2S_2S.016	2/2
11	446 180 16	REG_1W2S_1D2S_2S.029	2/2
12	1929 298 3	REG_1W2S_1D2S_2S.017	1/1
13	414 352 3	REG_1W2S_1D2S_2S.018	1/1
14	1904 401 16	REG_1W2S_1D2S_2S.003	1/1
15	1904 401 16	REG_1W2S_1D2S_2S.004	1/1
16	686 16/46	REG_1W2S_1D2S_2S.005	2/2
17	454 401 16	REG_1W2S_1D2S_2S.007	2/2
18	446 180 16	REG_1W2S_1D2S_2S.011	2/2
19	578 401 16	REG_1W2S_1D2S_2S.006	2/2



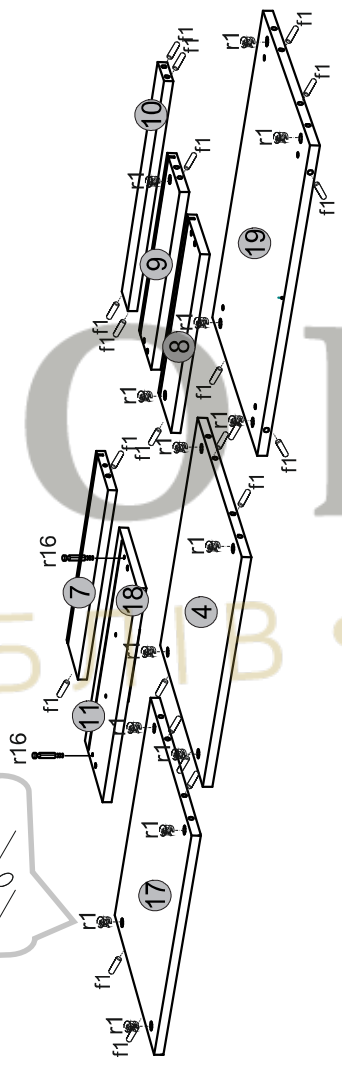
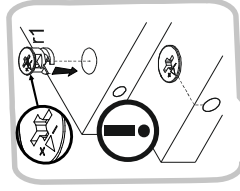
1



3



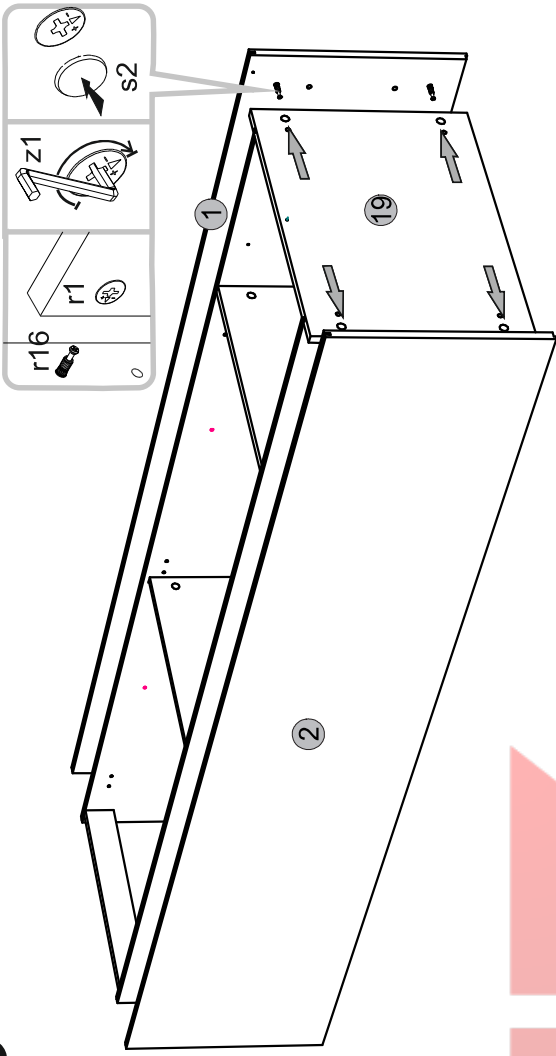
2



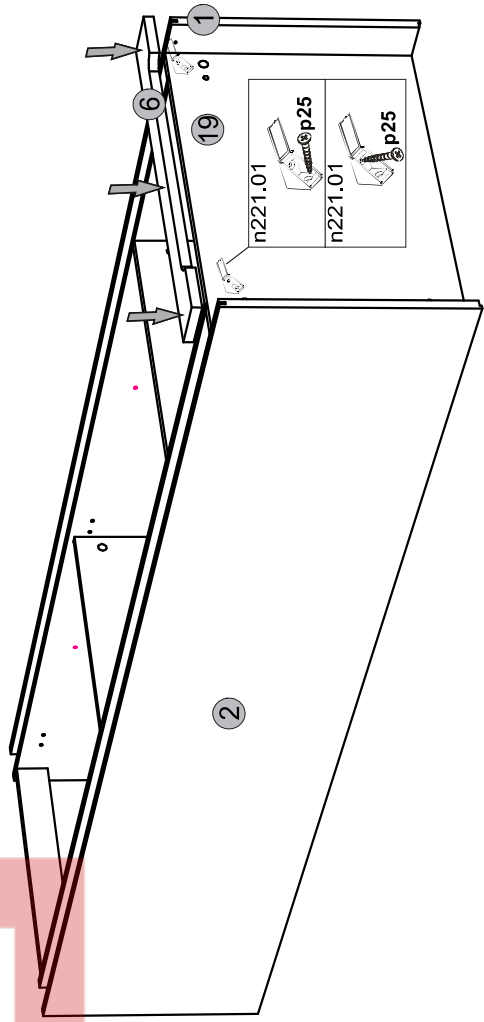
BRISTOL

• МАГАЗИН МЕБЕЛ •

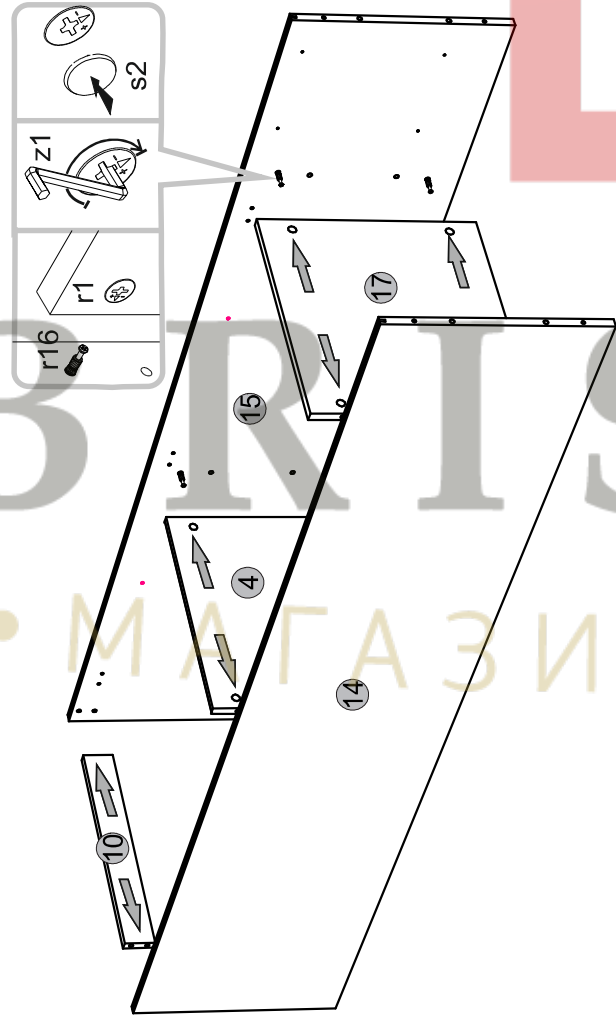
6



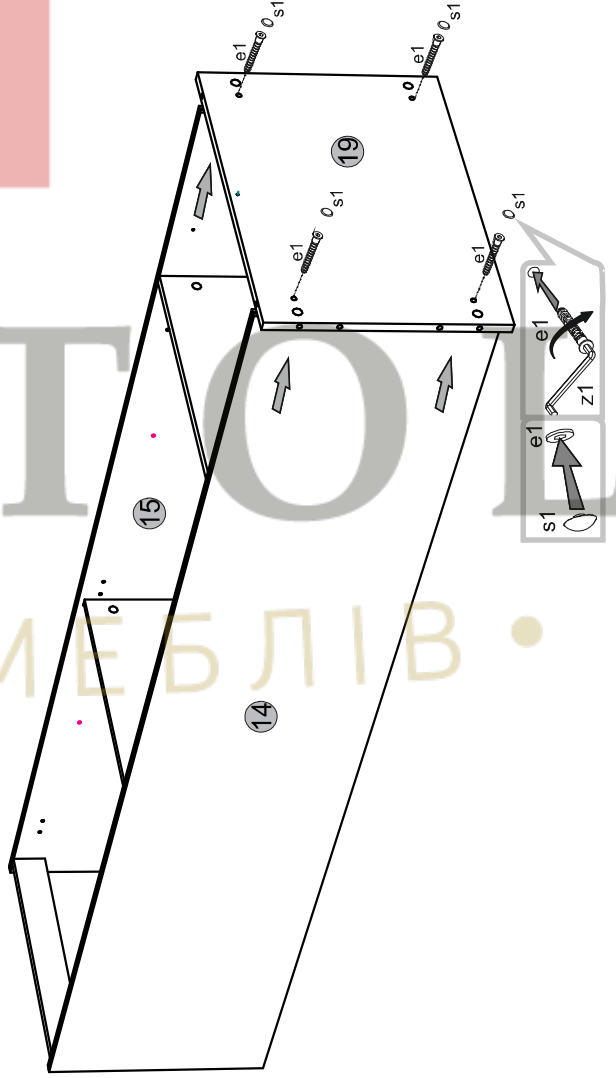
7



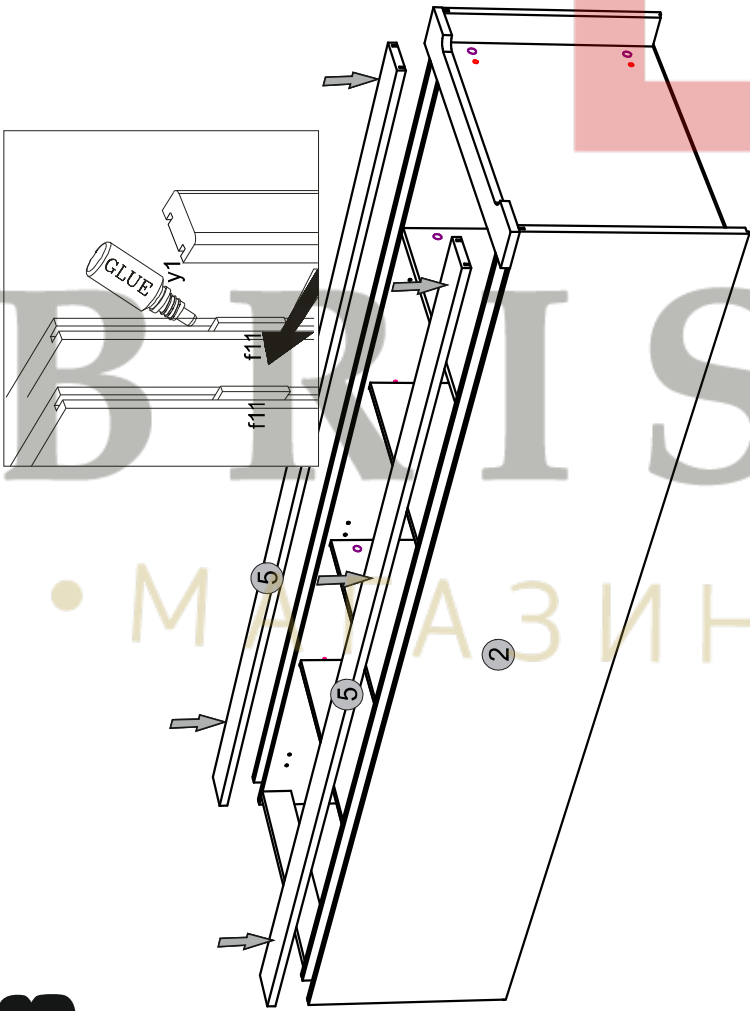
4



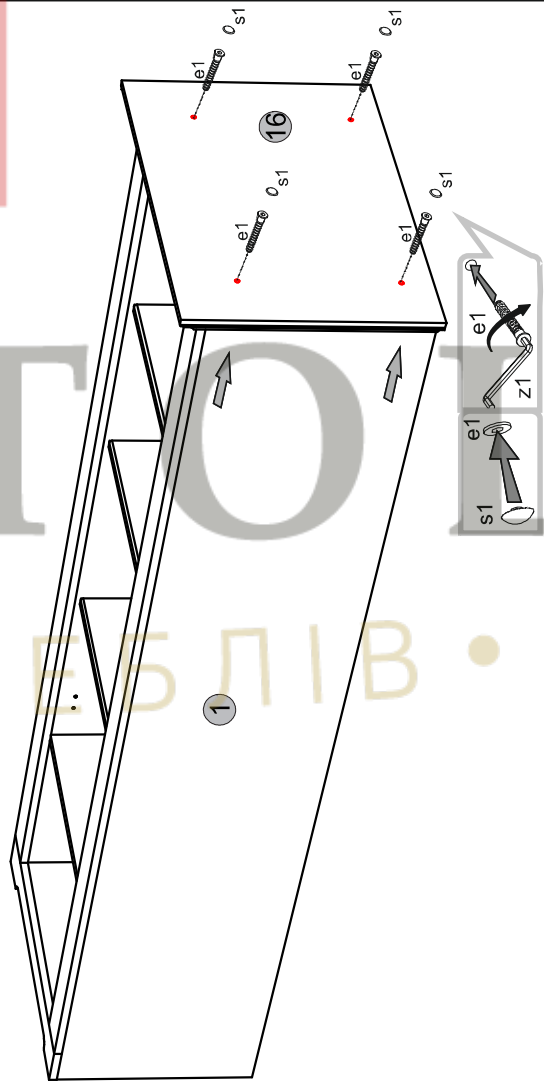
5



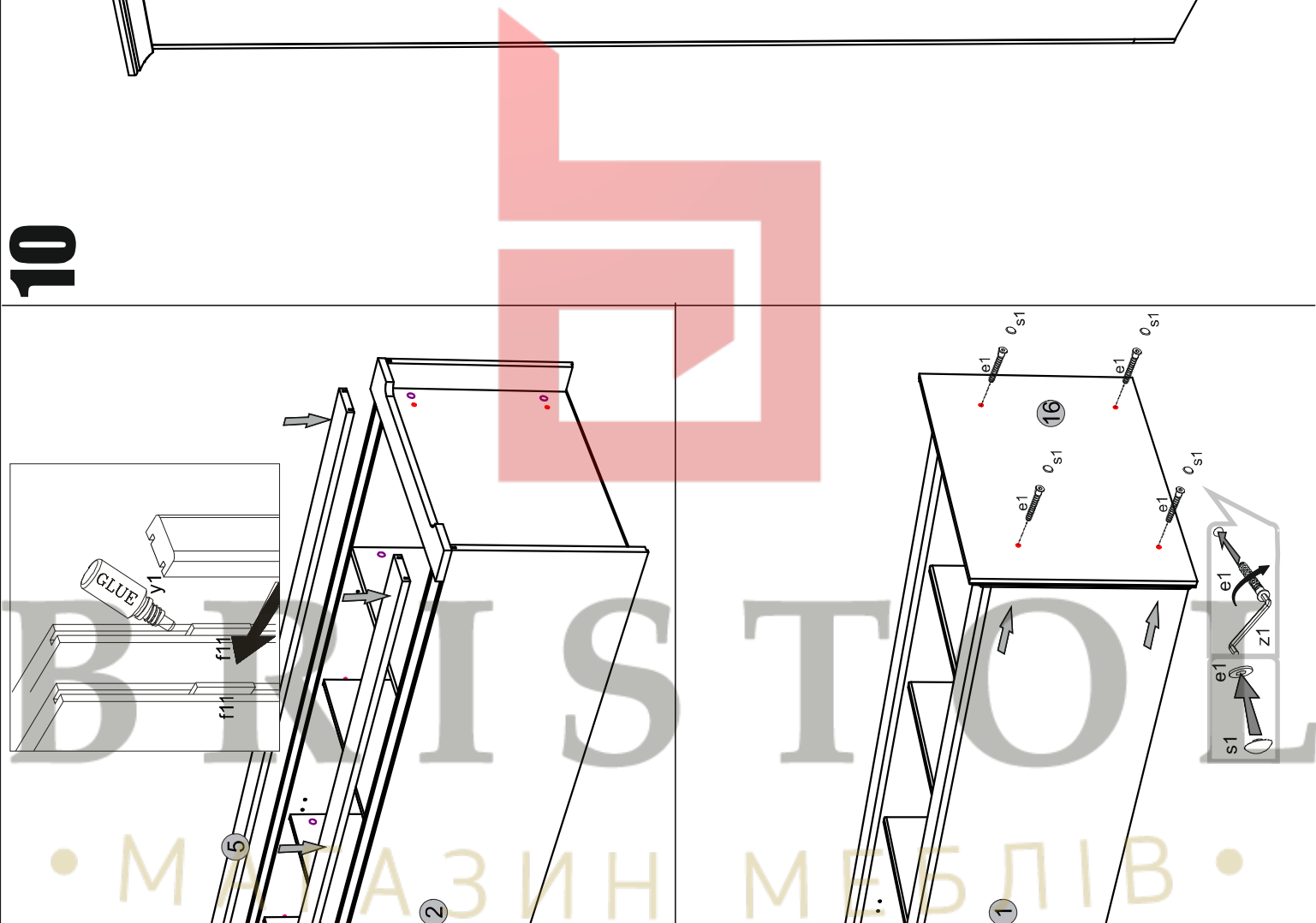
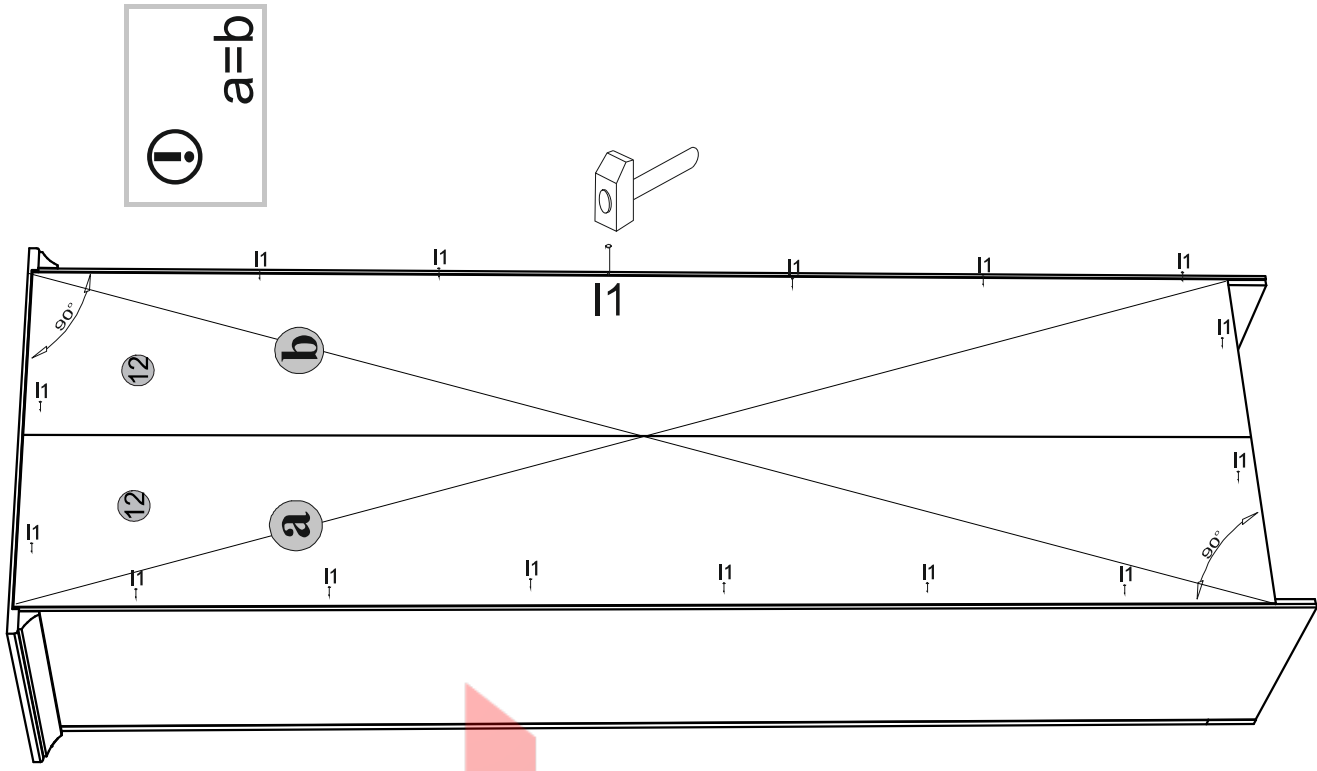
8



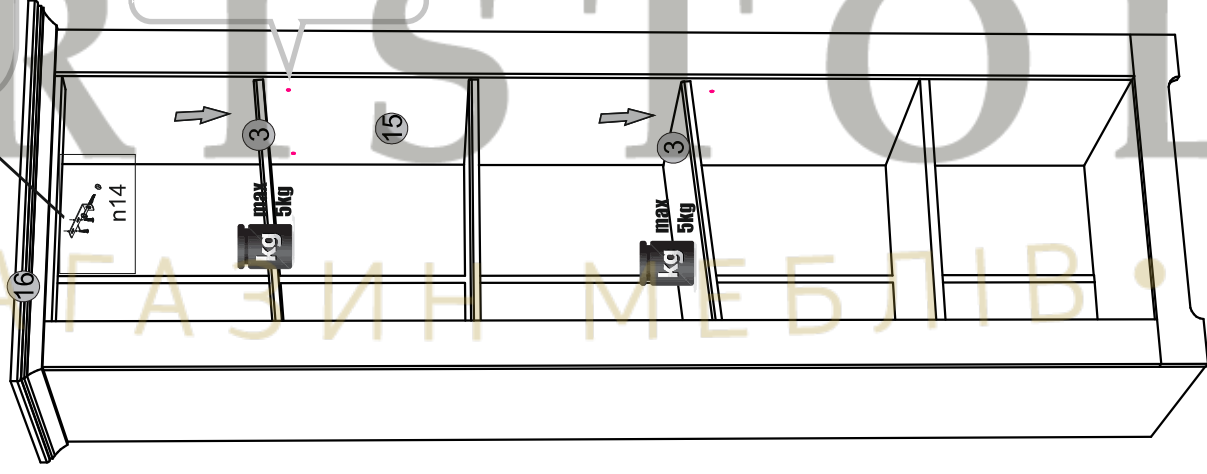
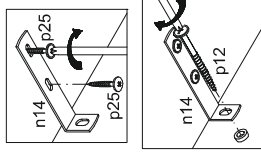
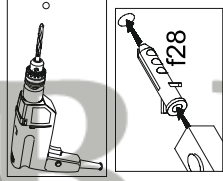
9



10



11



12

2419/128

