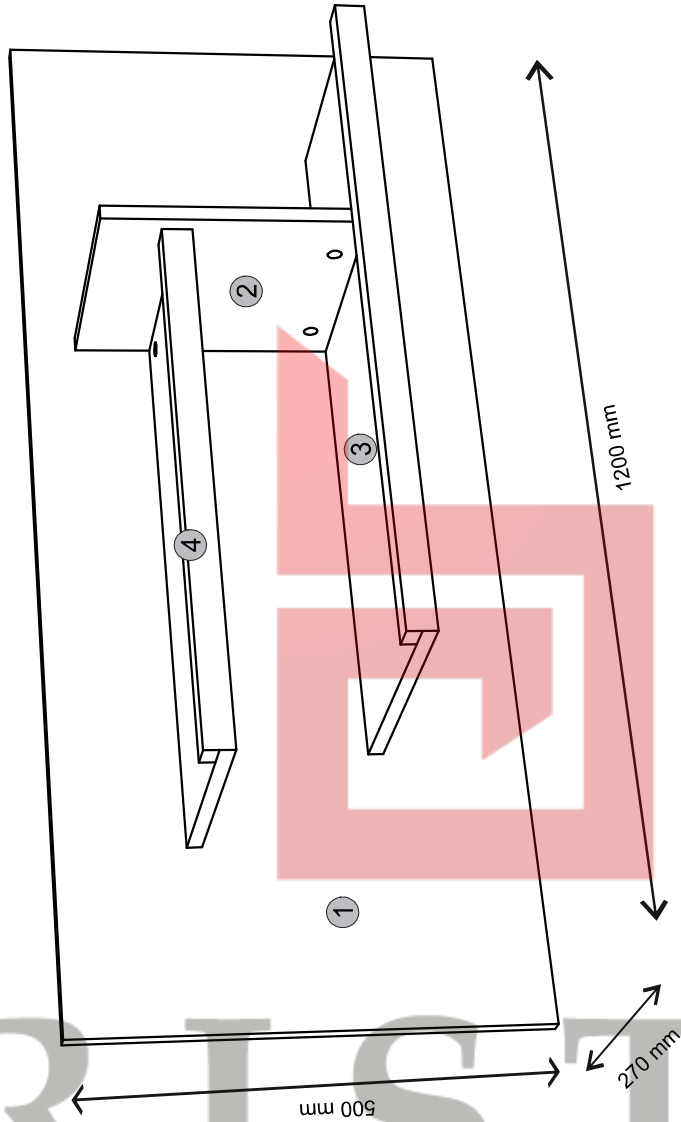
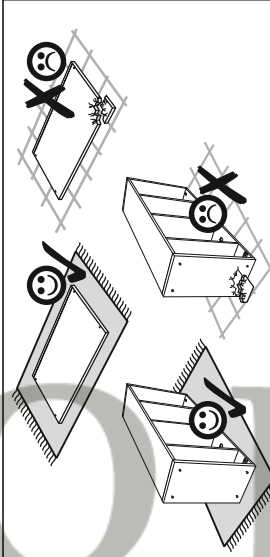
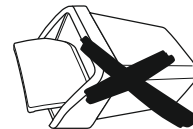
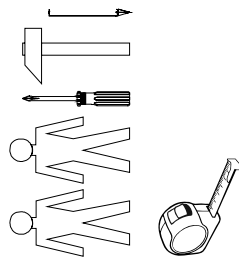
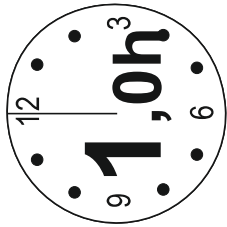
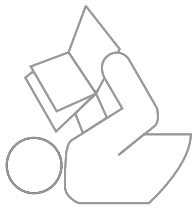


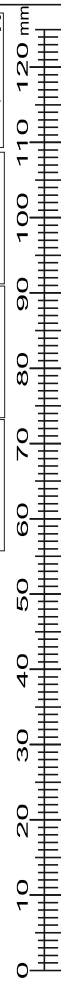
Instalation manual

NORTON: PAN_120

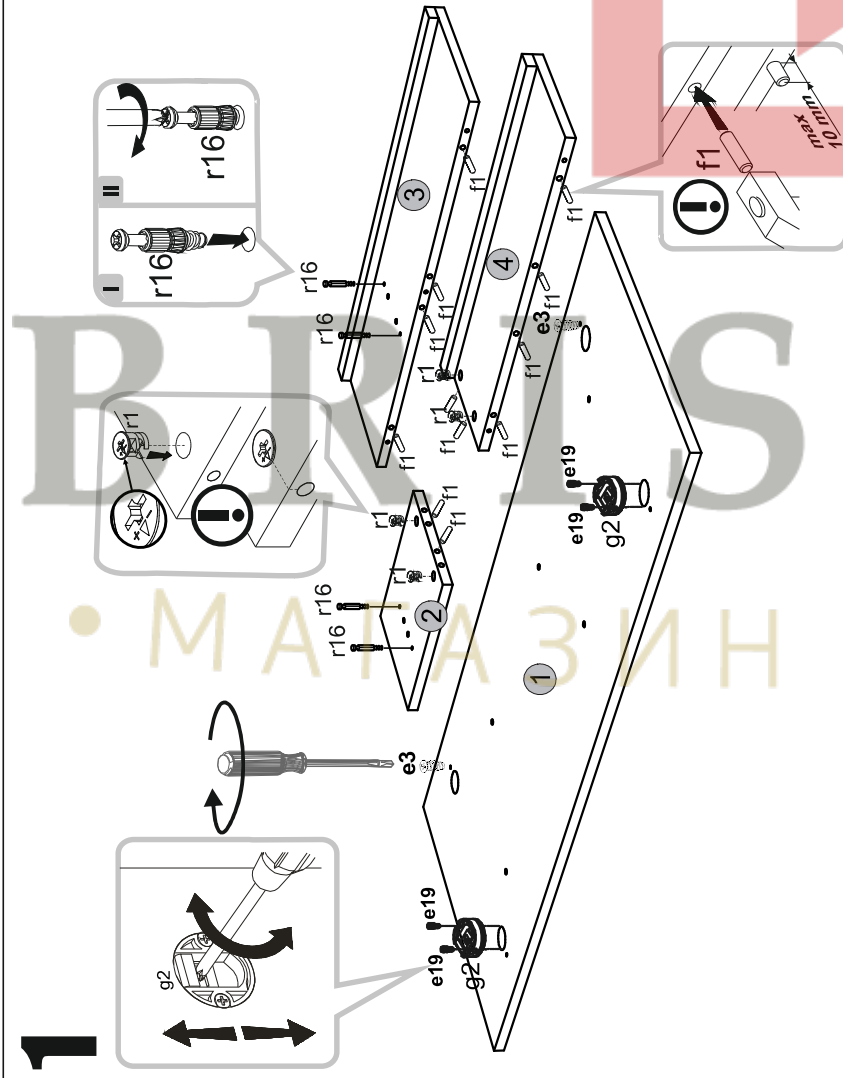


Element symbol	Dimensions		Code	Package
1	500	1200	1 K-103	1/1
2	280	219	1 K-104	1/1
3	750	250	1 K-303	1/1
4	592	200	1 K-304	1/1

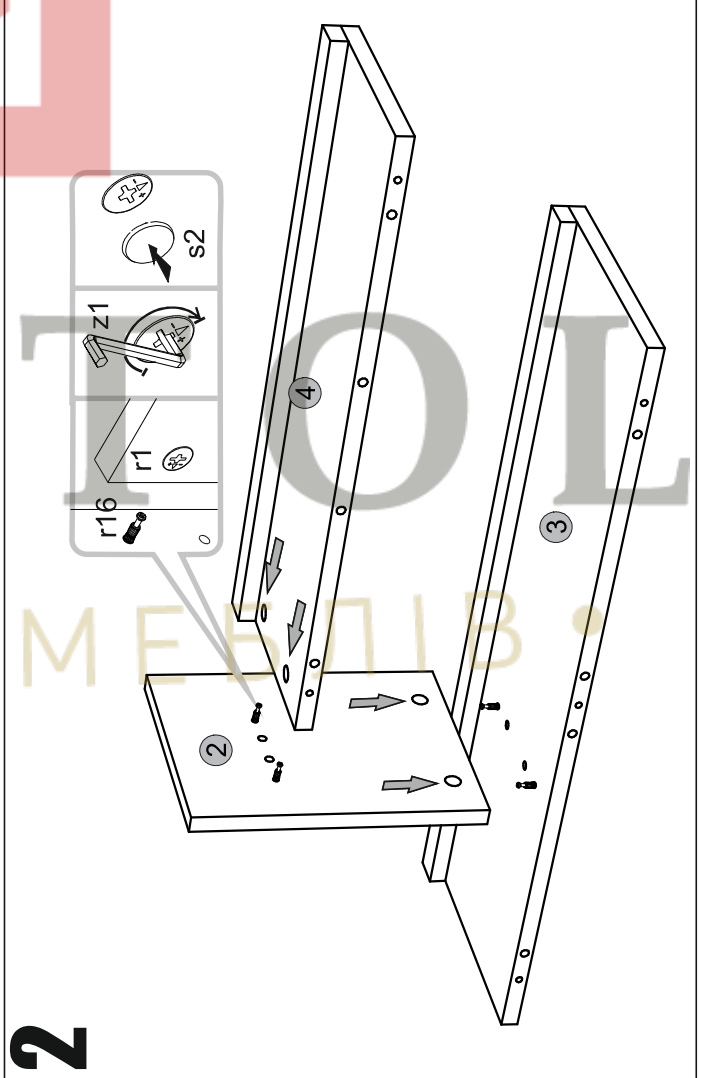
4x ø16	1x s2	2x ø3x60 mm	2x z1	2x ø3x60 mm	2x p17	2x f3 ø6x50 mm
2x	4x g2	2x ø6x13 mm	4x e19	2x ø6x13 mm	5x e3	5x s1
5x ø7x50 mm	4x e1	4x ø15,2mm f16	4x r16	4x r16	12x r16	12x f1 ø8x50 mm



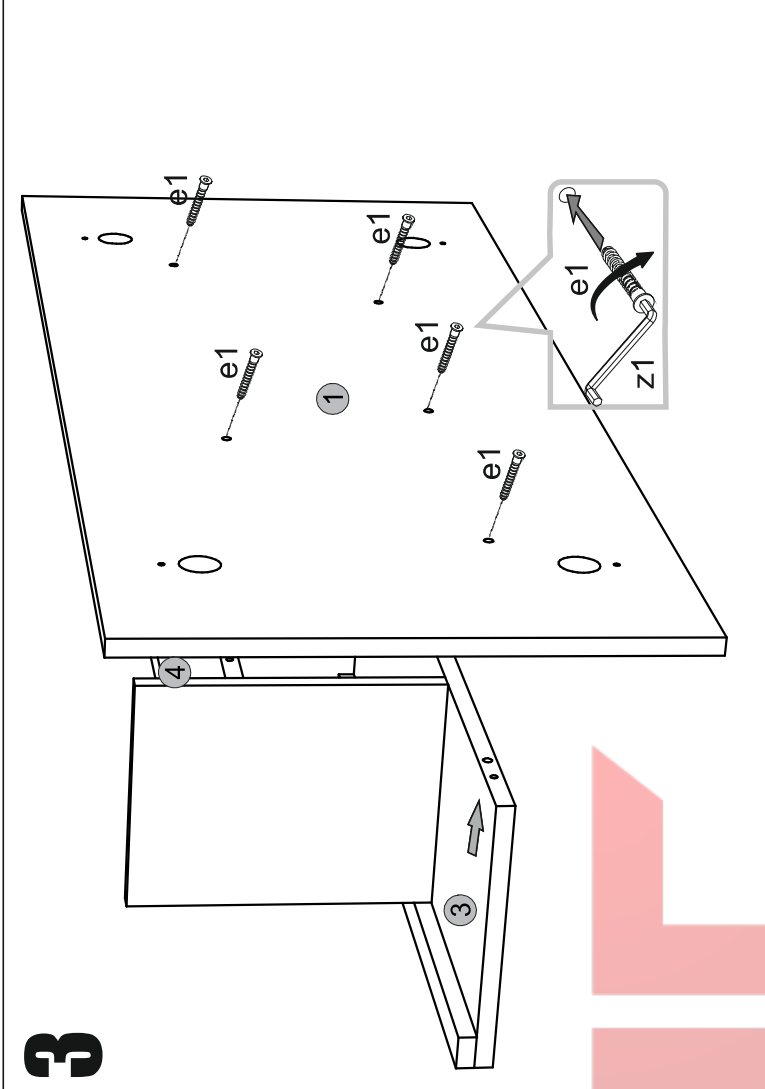
1



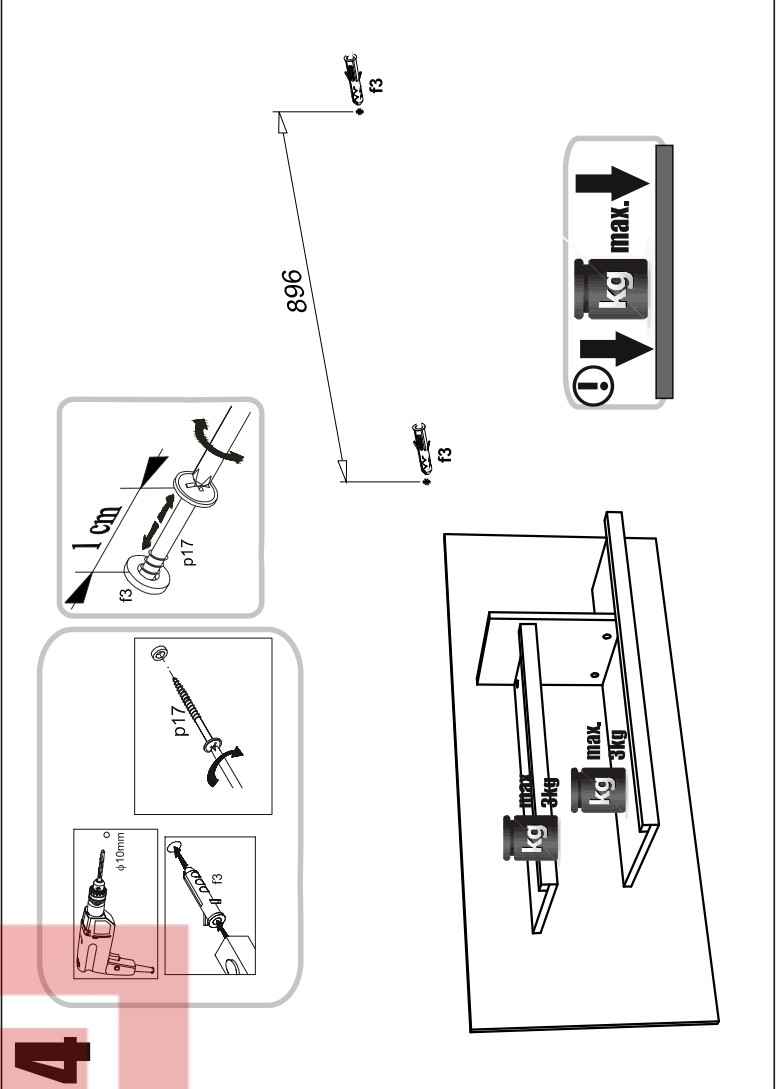
2



3



4



kg max. ↑

kg max. ↓

896

kg max. 31kg

kg max. 31kg