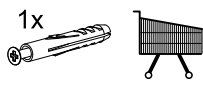
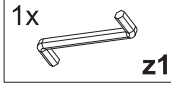
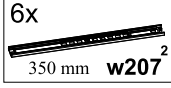
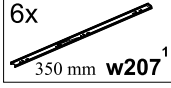
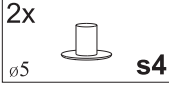
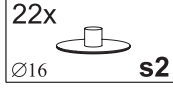
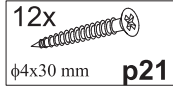
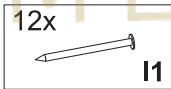
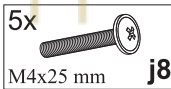
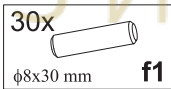
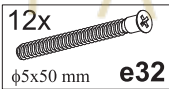
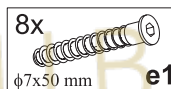
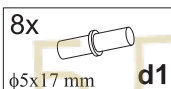
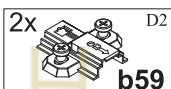
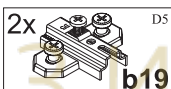
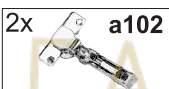
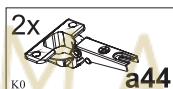
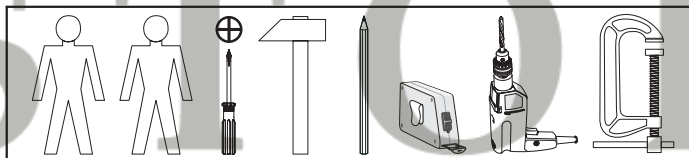
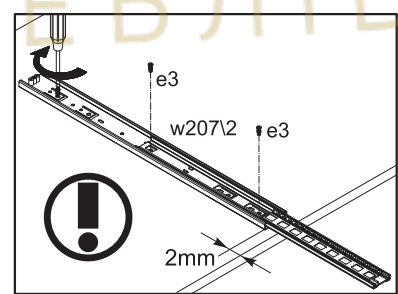
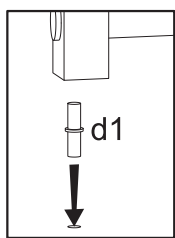
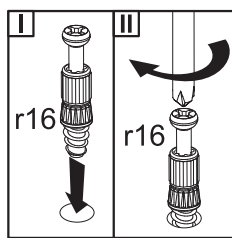
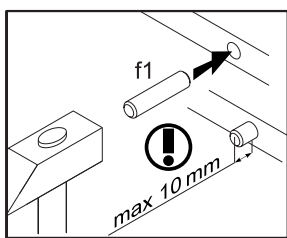
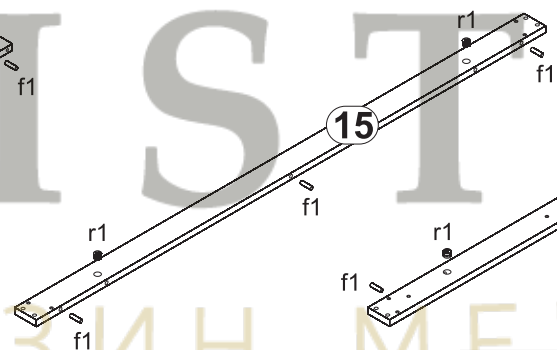
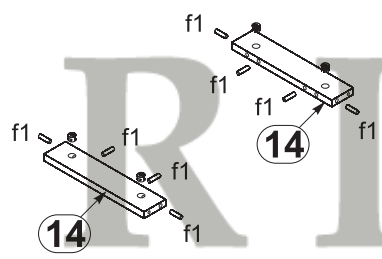
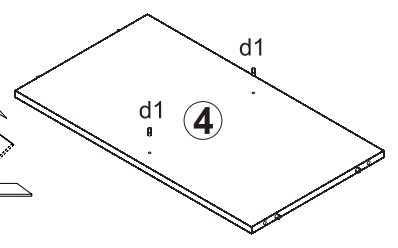
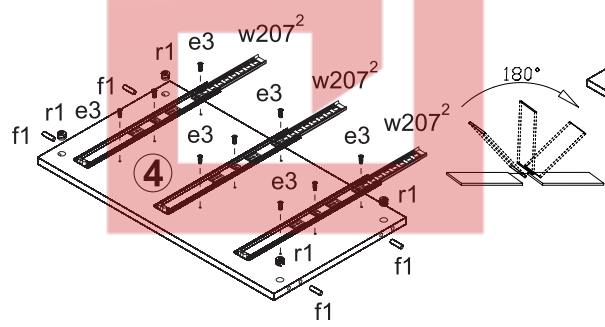
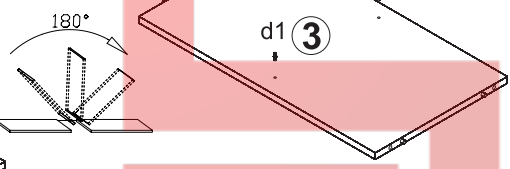
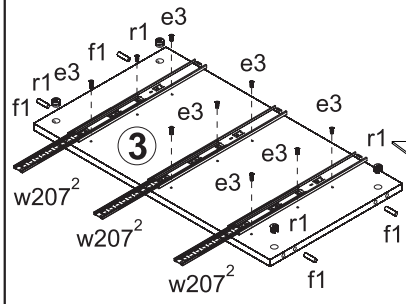
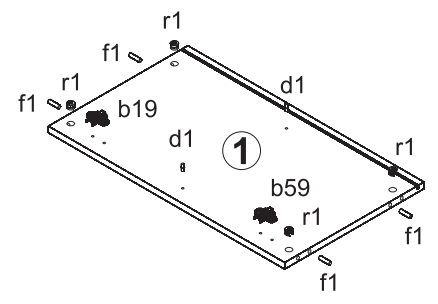
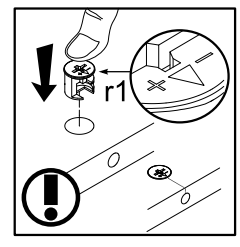
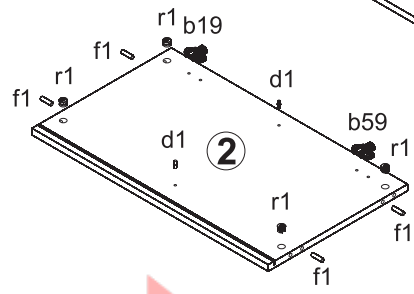
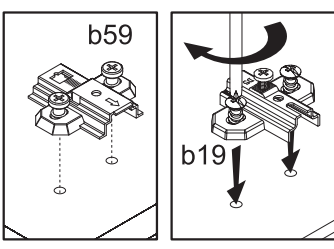
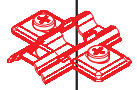
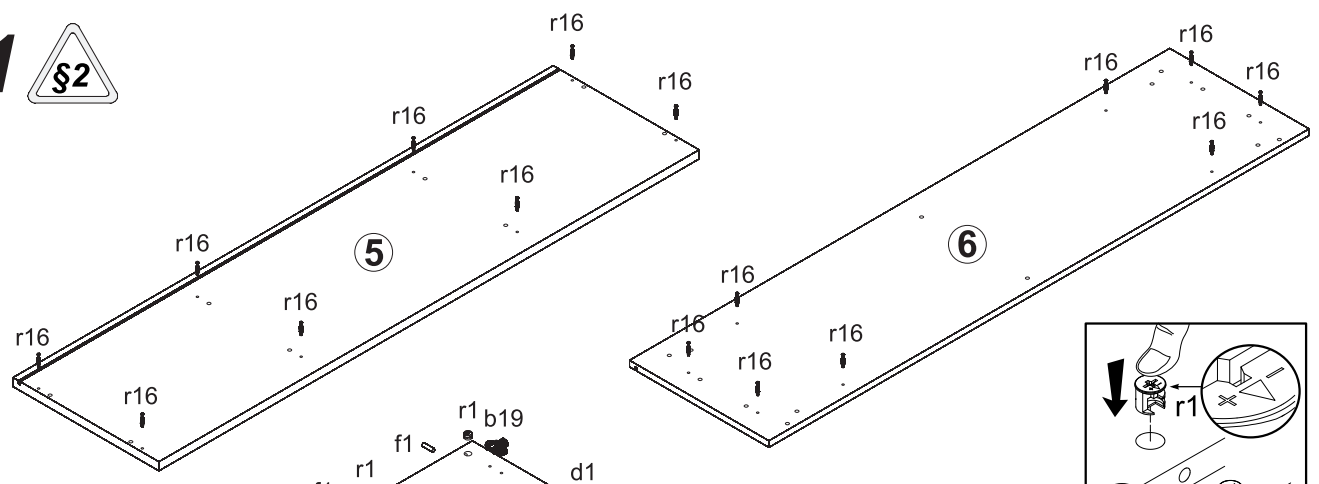


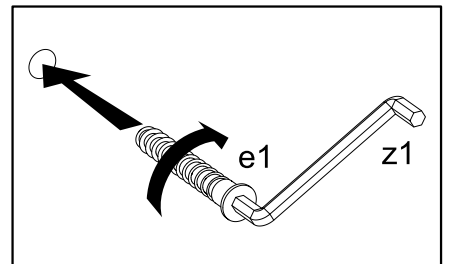
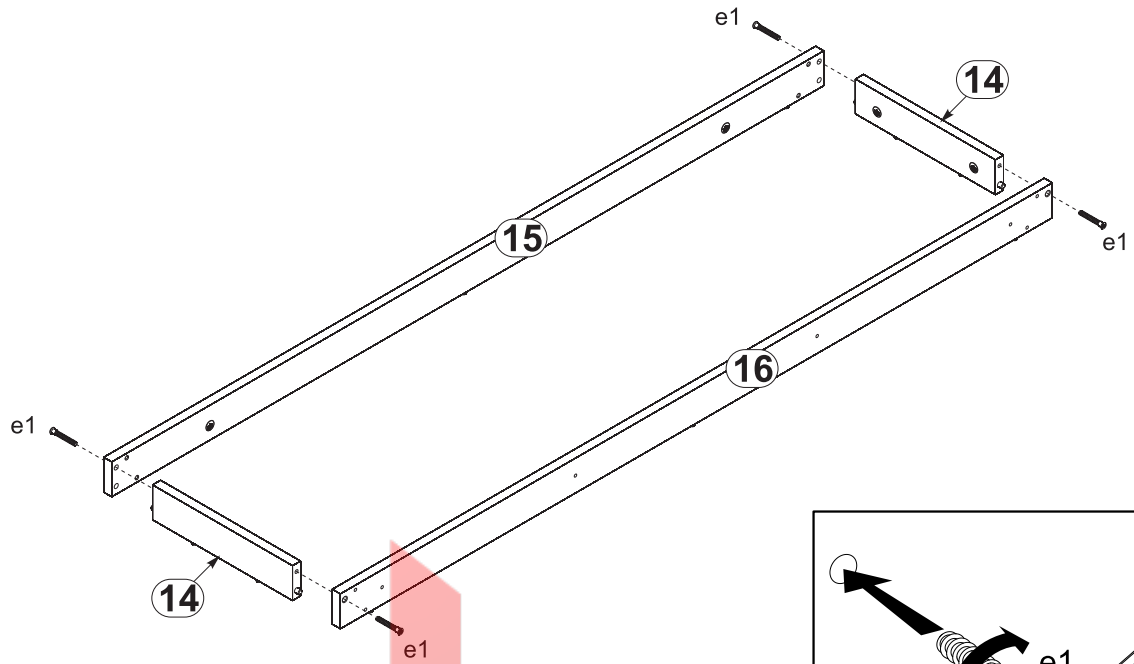
| A | B | C | D | |
|----|---------|------|-----|-----|
| 1 | TA1-106 | 656 | 387 | 1/3 |
| 2 | TA1-107 | 656 | 387 | 1/3 |
| 3 | TA1-108 | 656 | 367 | 1/3 |
| 4 | TA1-109 | 656 | 367 | 1/3 |
| 5 | TA1-205 | 1500 | 405 | 2/3 |
| 6 | TA1-206 | 1600 | 387 | 2/3 |
| 7 | TA1-302 | 425 | 360 | 1/3 |
| 8 | TA1-906 | 1480 | 334 | 2/3 |
| 9 | LH-1465 | 1465 | 14 | 2/3 |
| 10 | TA1-551 | 350 | 140 | 2/3 |
| 11 | TA1-552 | 350 | 140 | 2/3 |
| 12 | TA1-555 | 526 | 140 | 2/3 |
| 13 | TA1-905 | 541 | 349 | 2/3 |
| 14 | TA1-402 | 278 | 60 | 2/3 |
| 15 | TA1-409 | 1414 | 60 | 2/3 |
| 16 | TA1-408 | 1414 | 60 | 2/3 |
| 17 | TA1-410 | 1294 | 60 | 2/3 |
| 18 | TA1-510 | 210 | 97 | 2/3 |
| 19 | TA1-004 | 596 | 220 | 3/3 |
| 20 | TA1-005 | 666 | 446 | 3/3 |



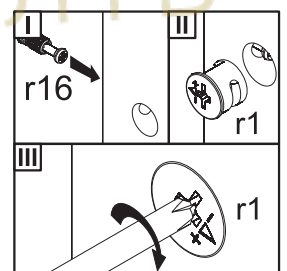
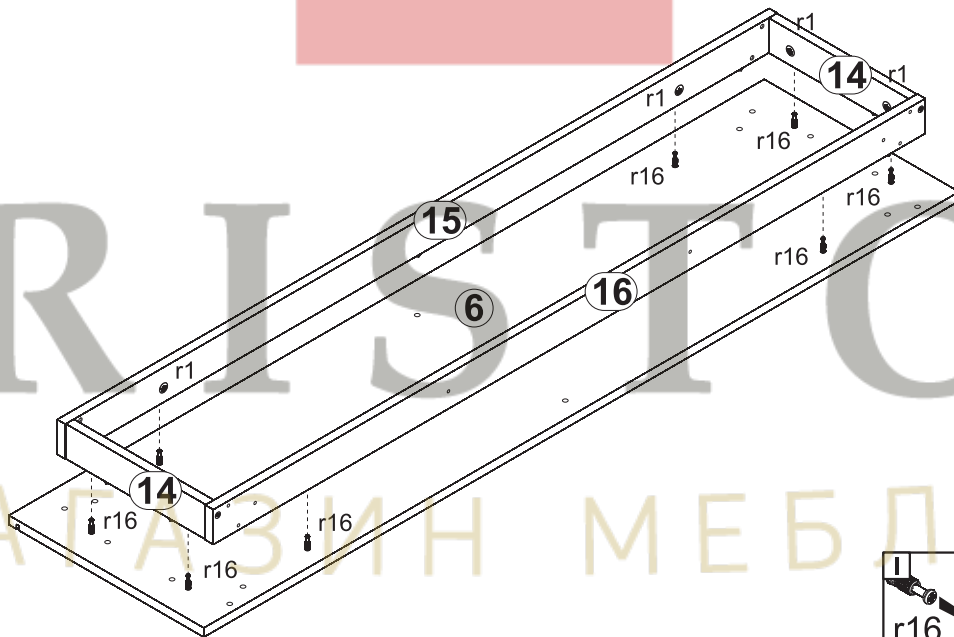
1 



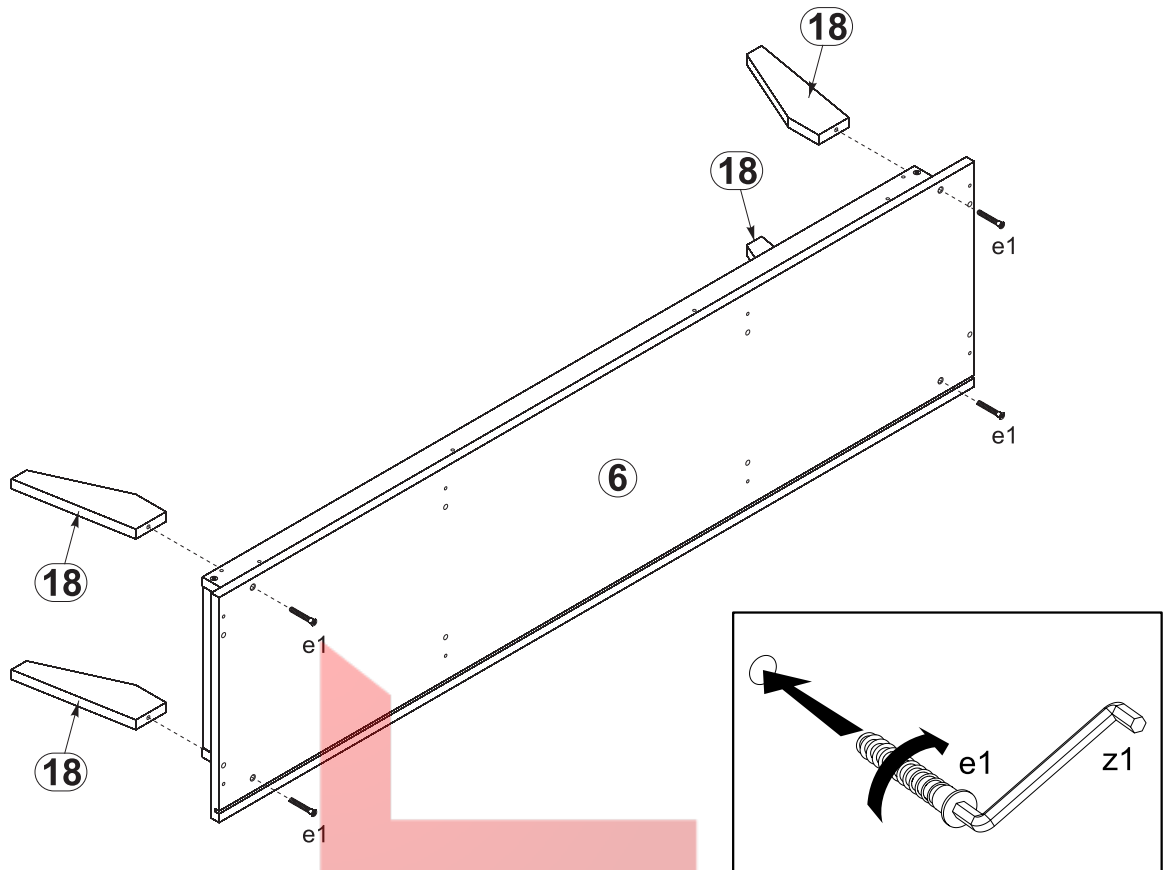
2



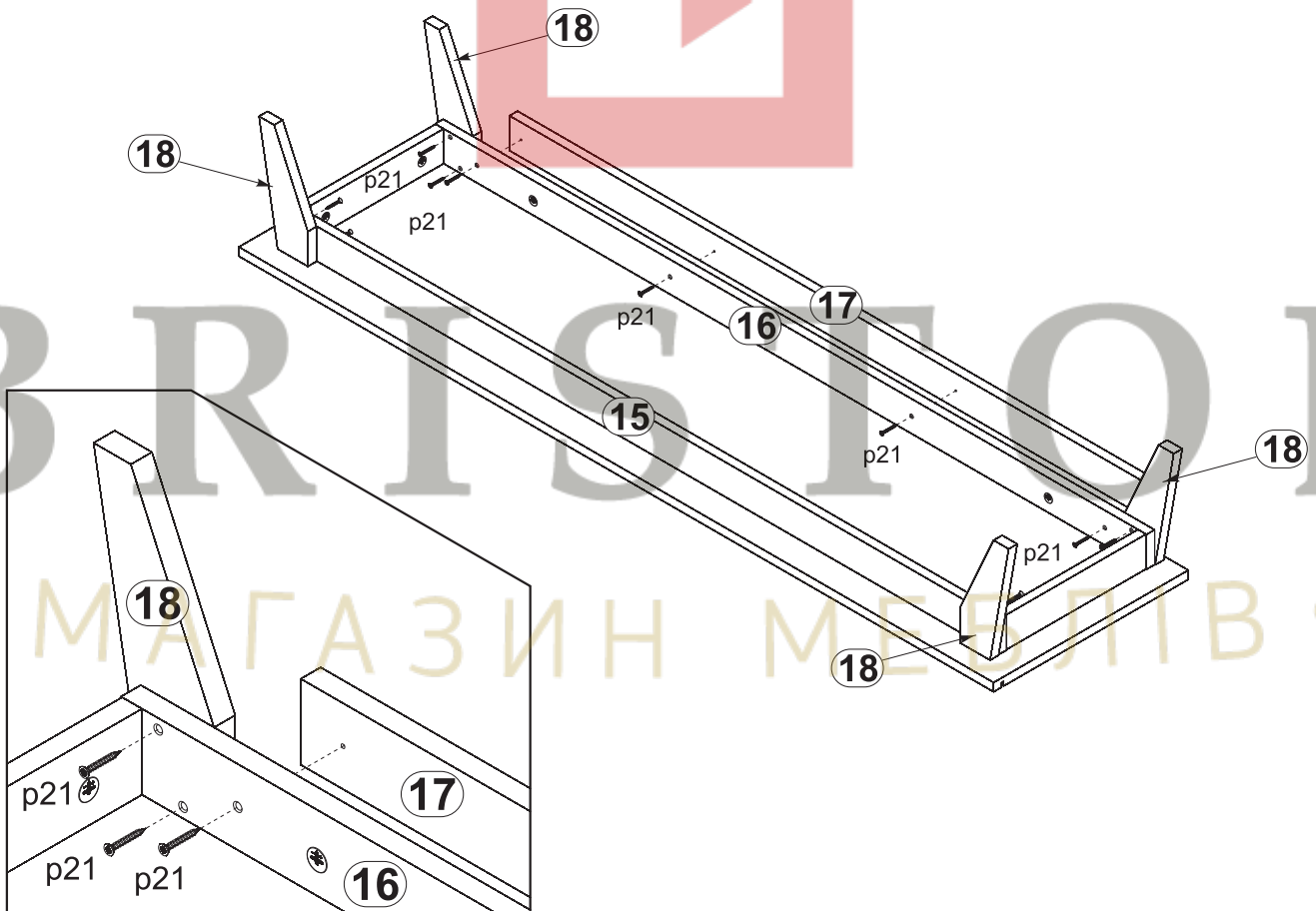
3



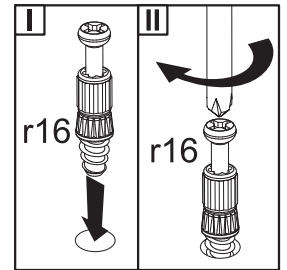
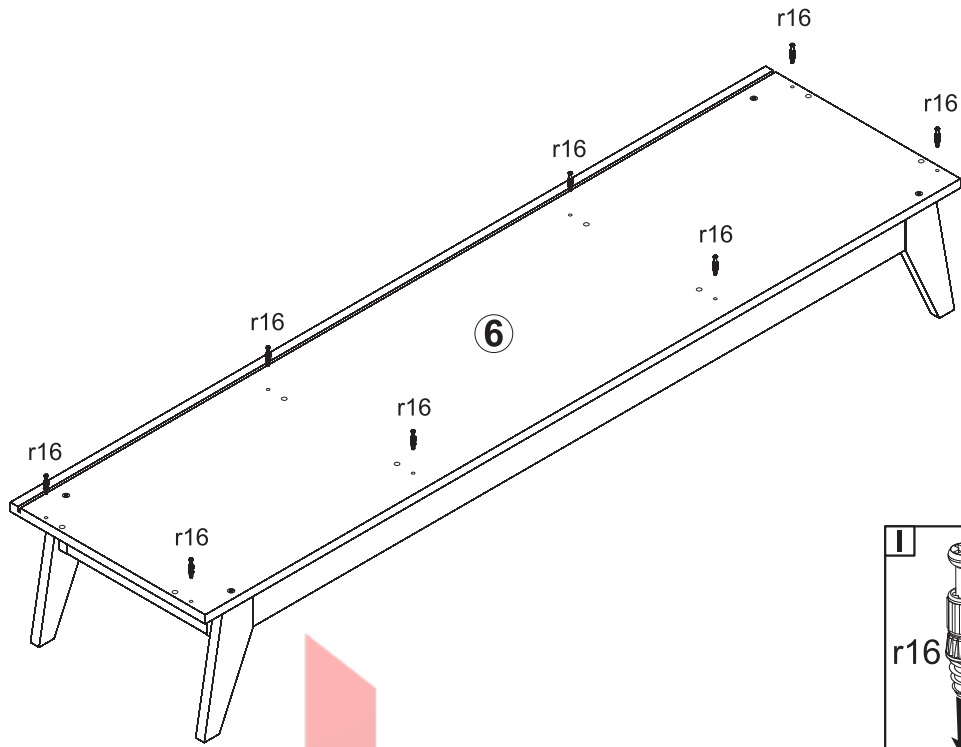
4



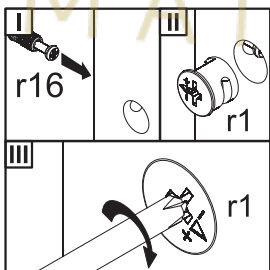
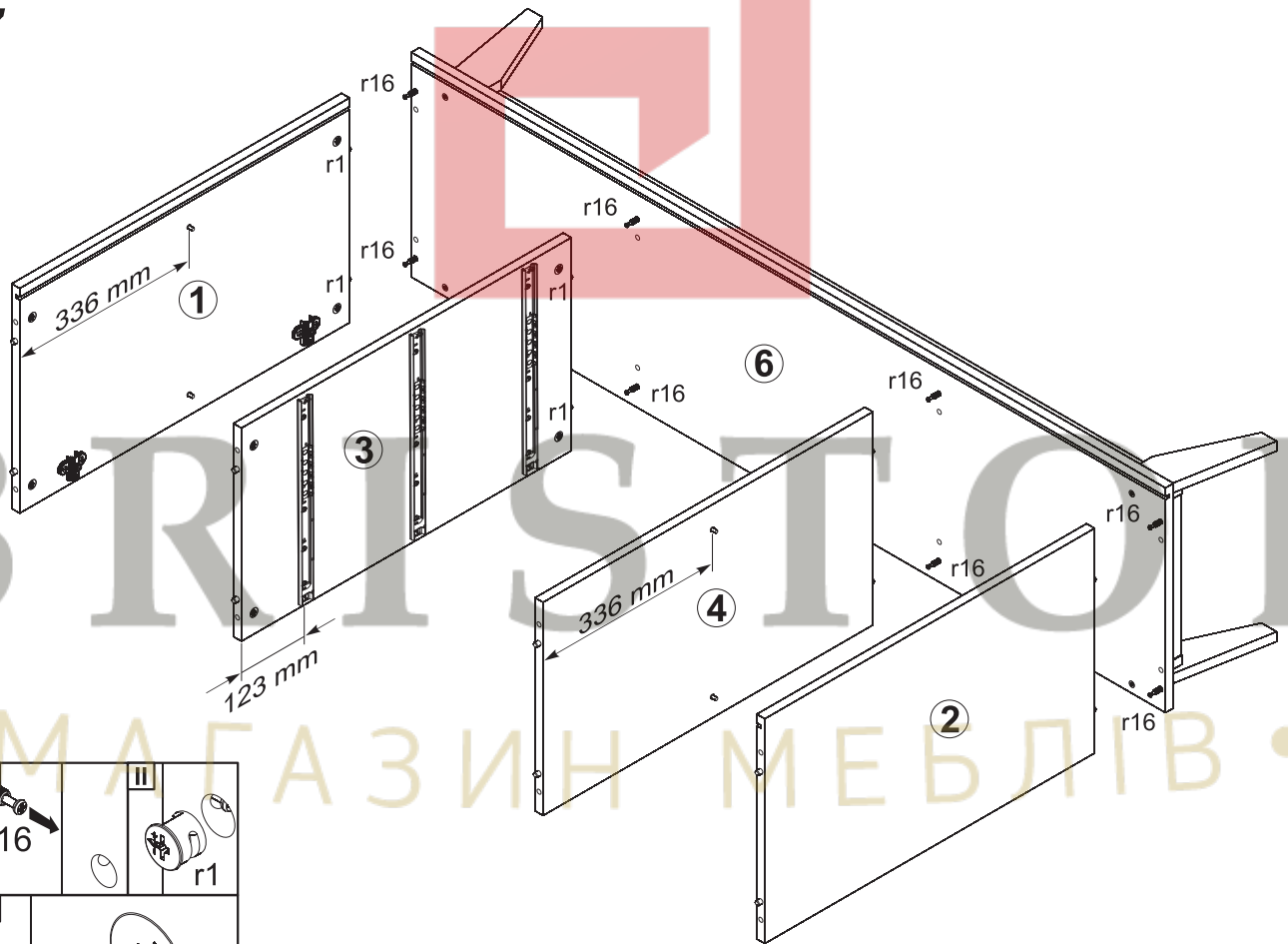
5

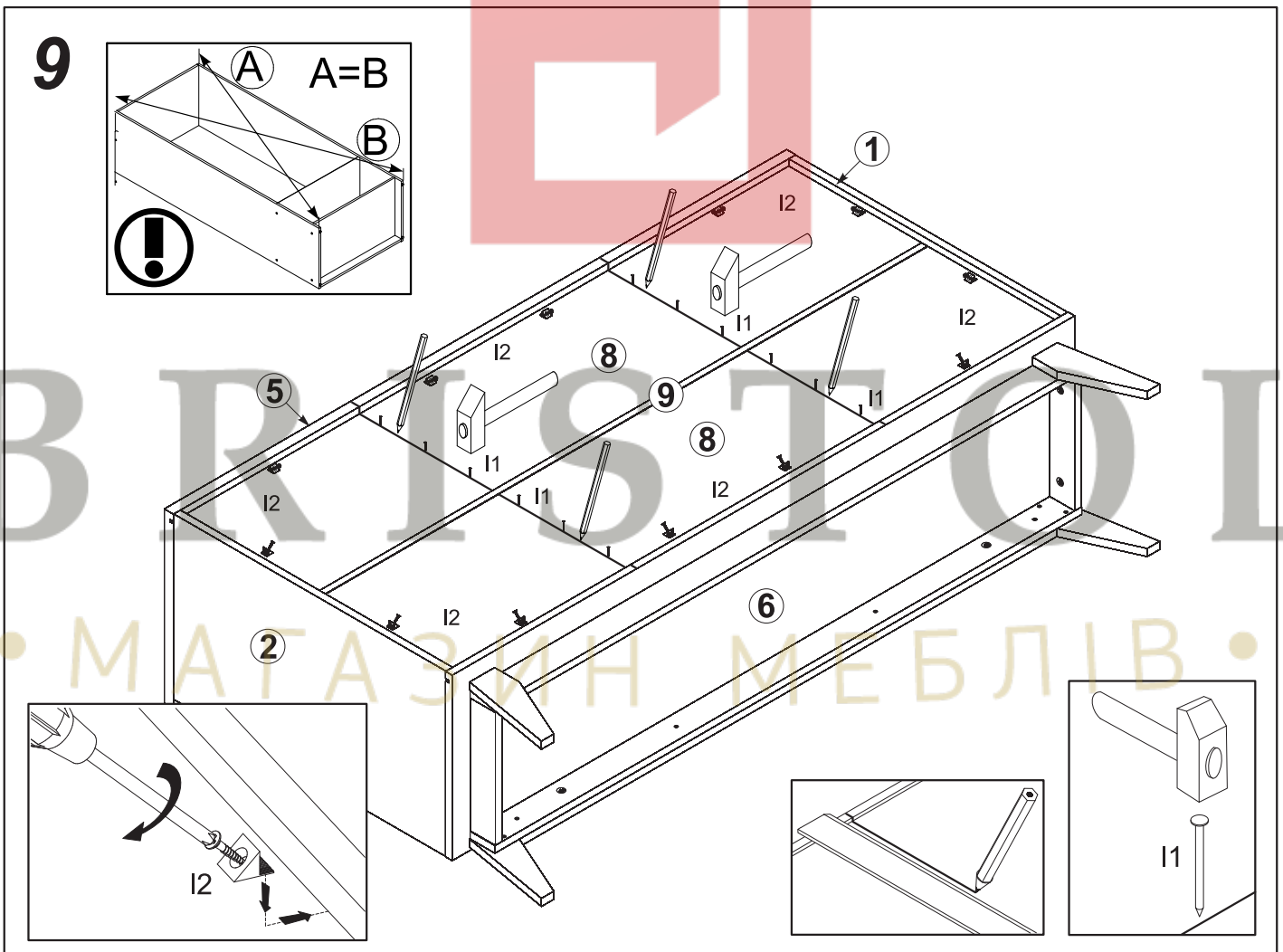
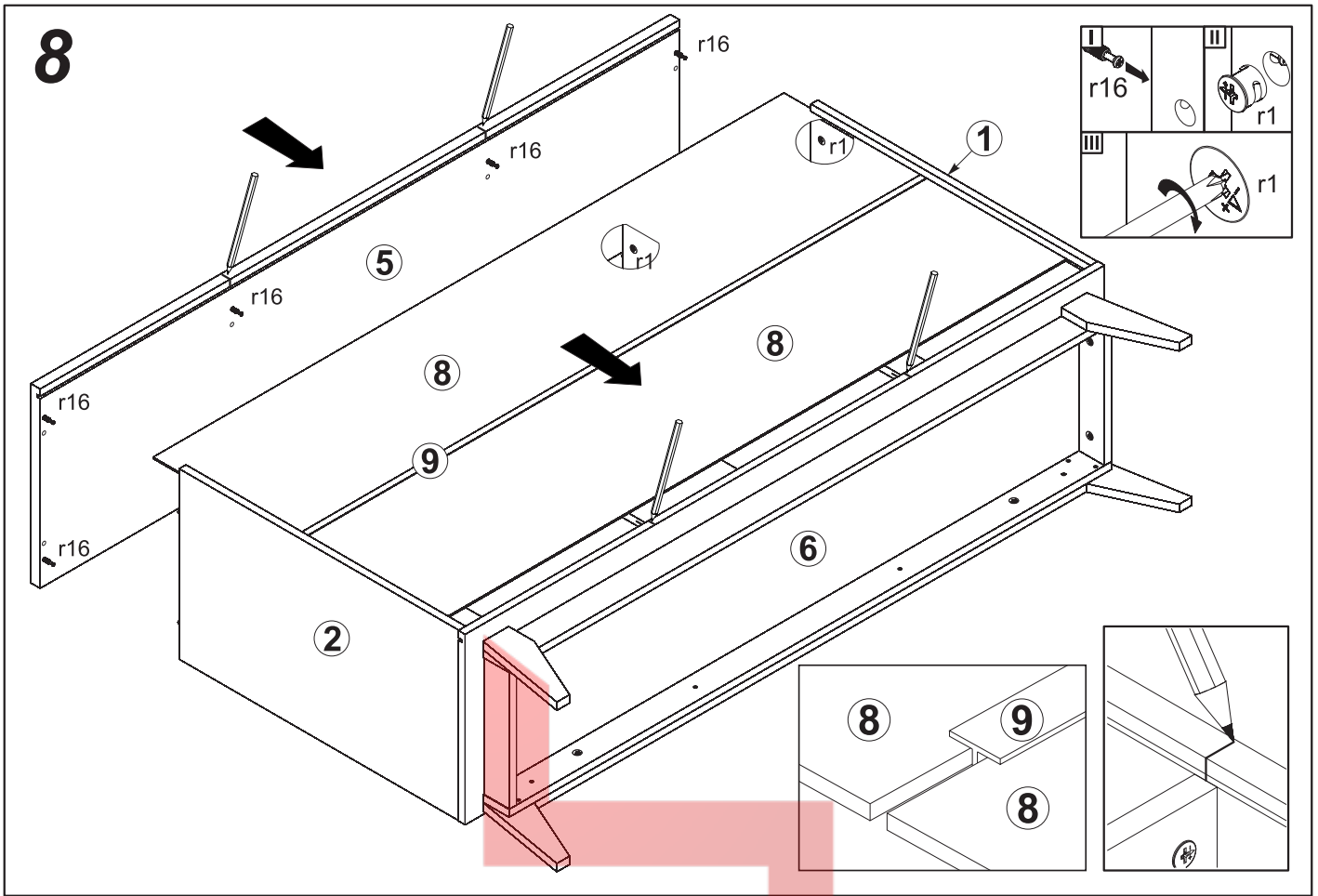


6

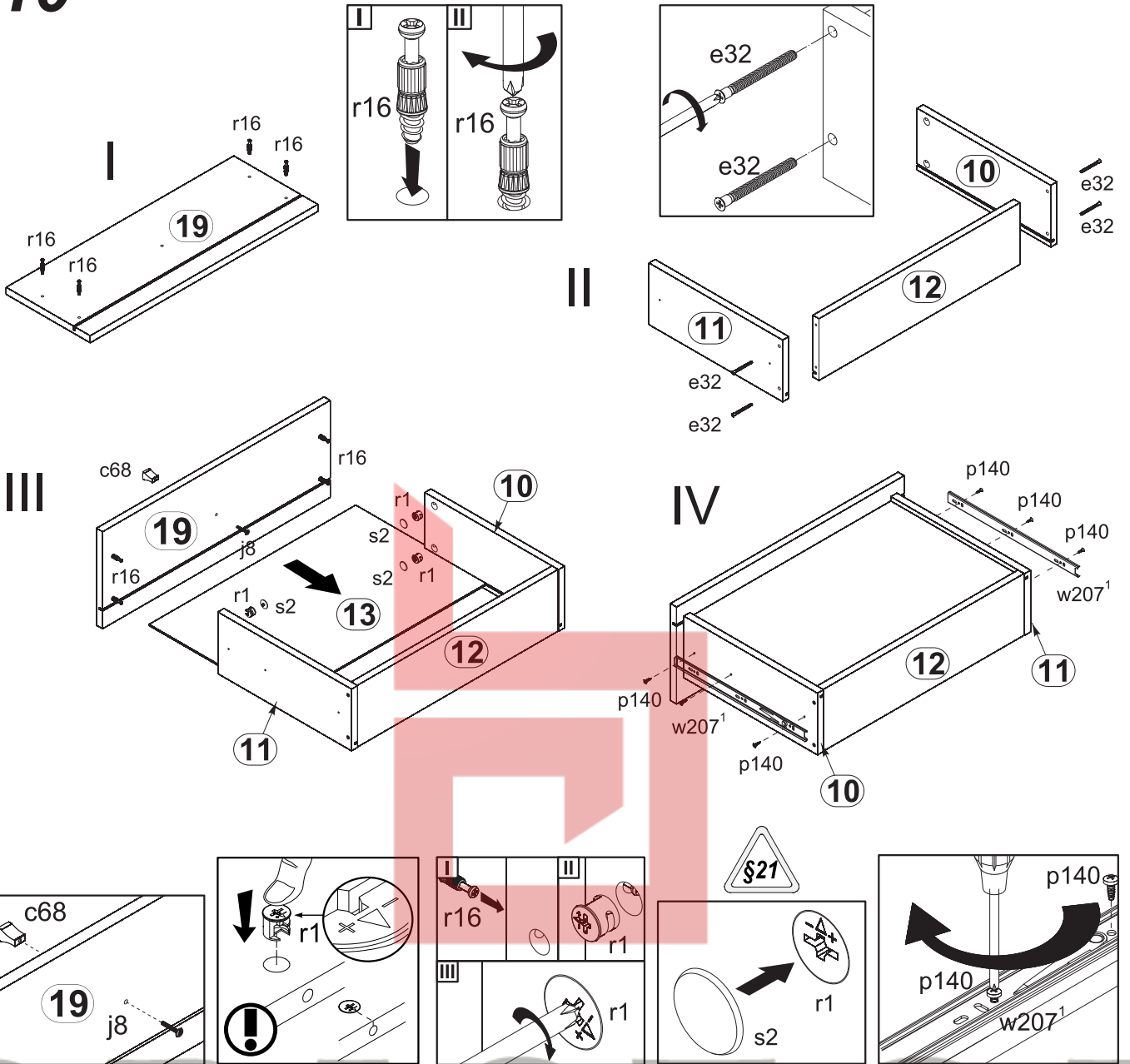


7

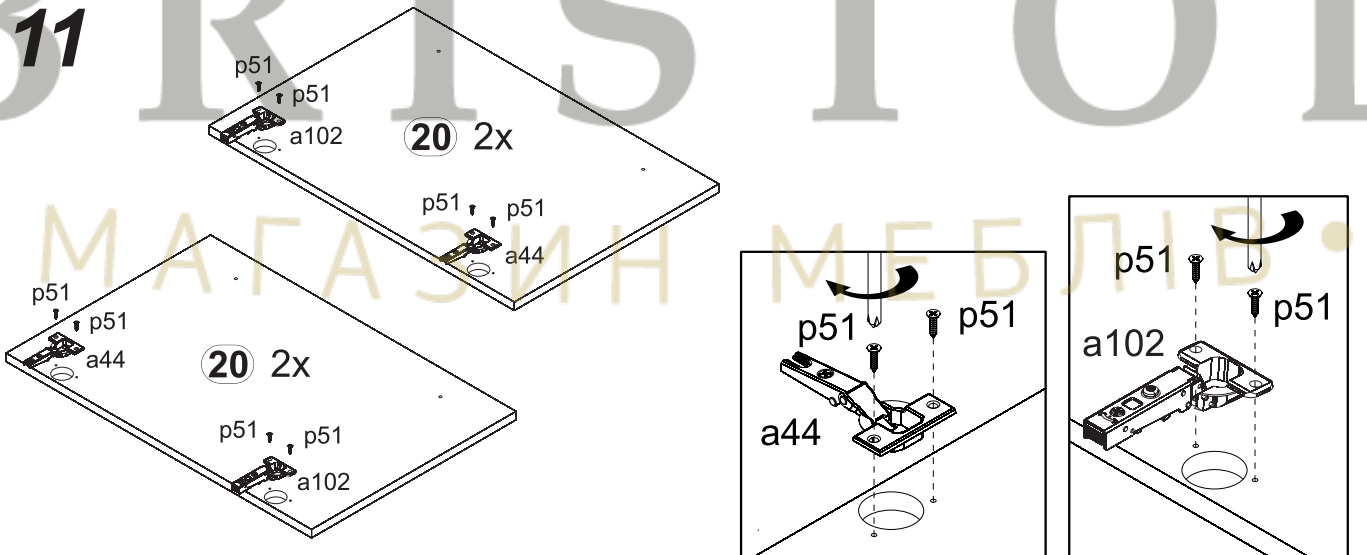




10



11



12

