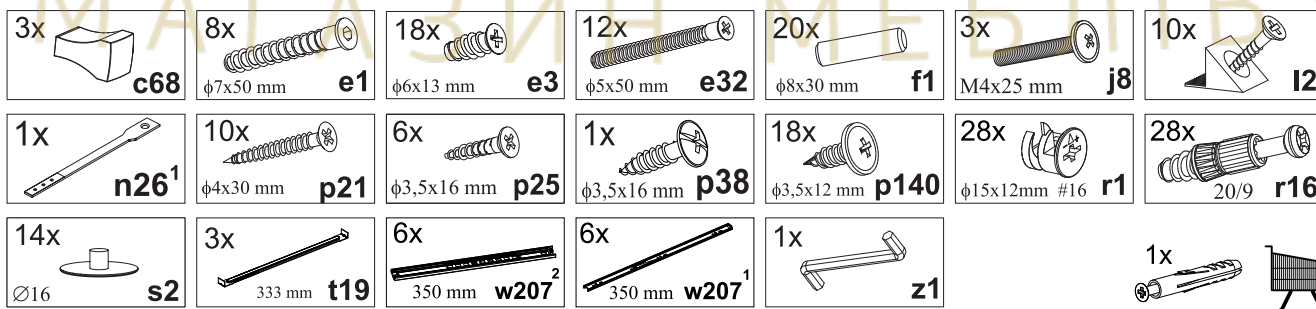
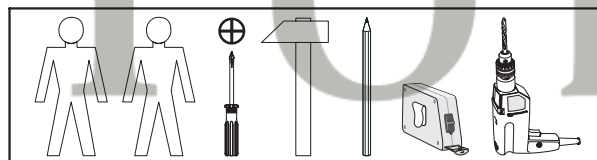
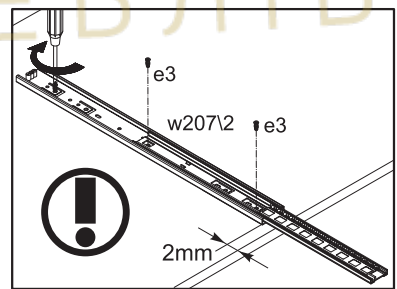
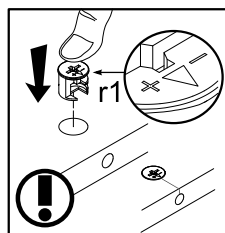
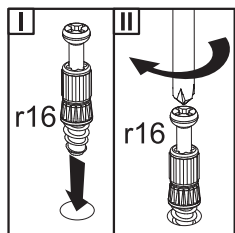
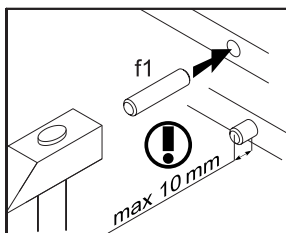
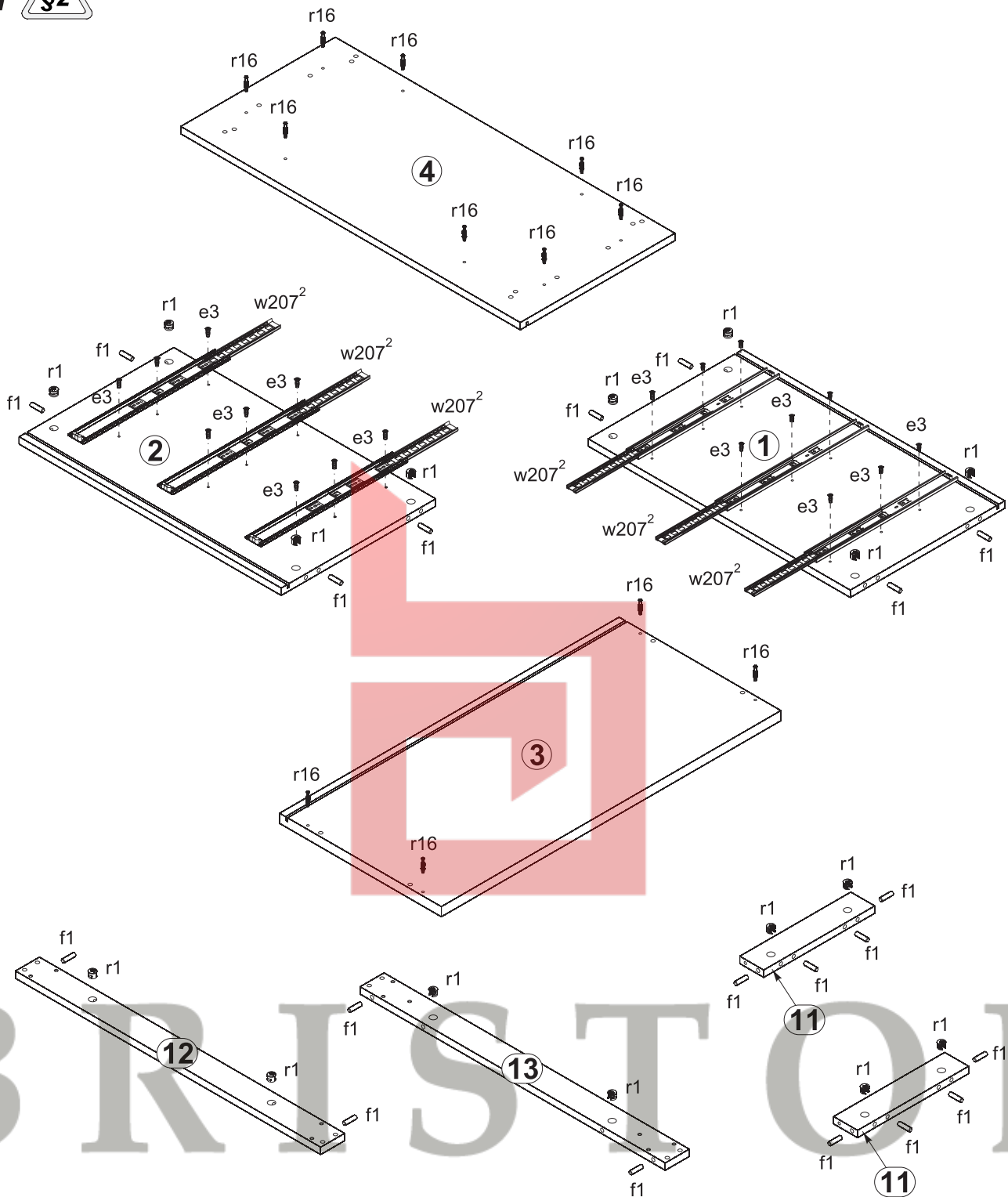


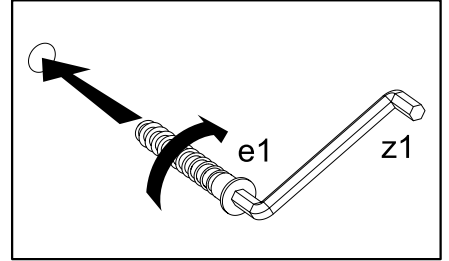
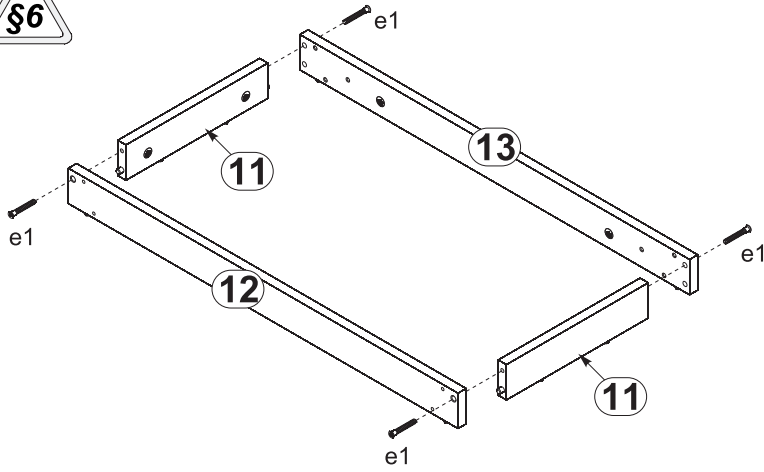
A	B	C	D
1	TA1-104	656	387
2	TA1-105	656	387
3	TA1-203	850	405
4	TA1-204	850	387
5	TA1-903	830	334
6	LH-815	815	14
7	TA1-551	350	140
8	TA1-552	350	140
9	TA1-554	758	140
10	TA1-904	773	349
11	TA1-402	278	60
12	TA1-406	764	60
13	TA1-405	764	60
14	TA1-407	644	60
15	TA1-510	210	97
16	TA1-003	844	220



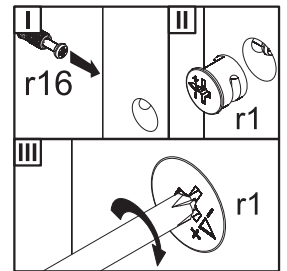
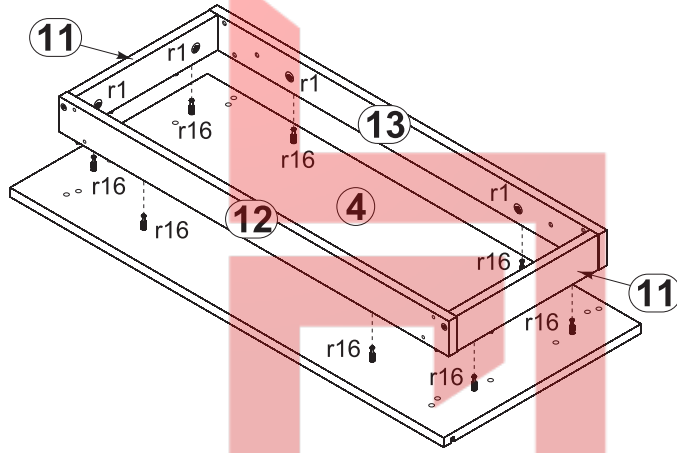
1 



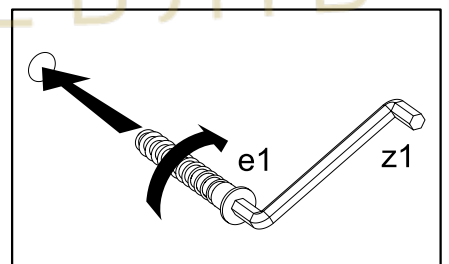
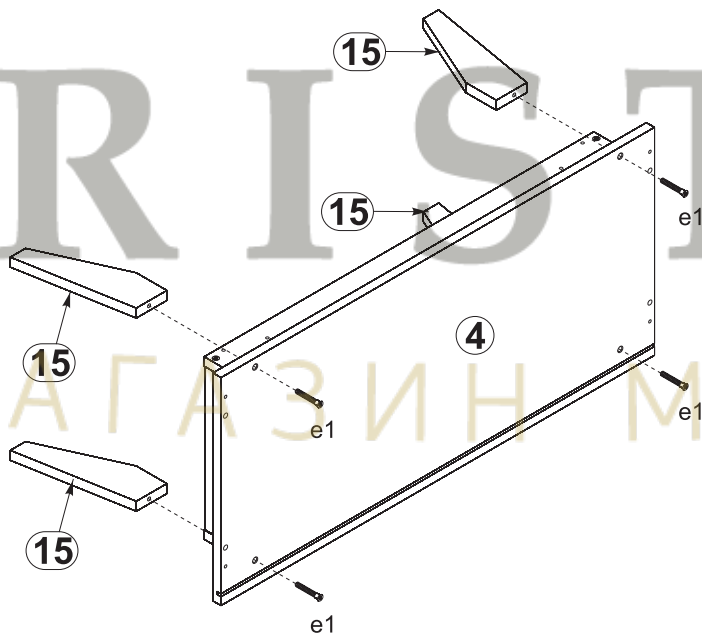
2



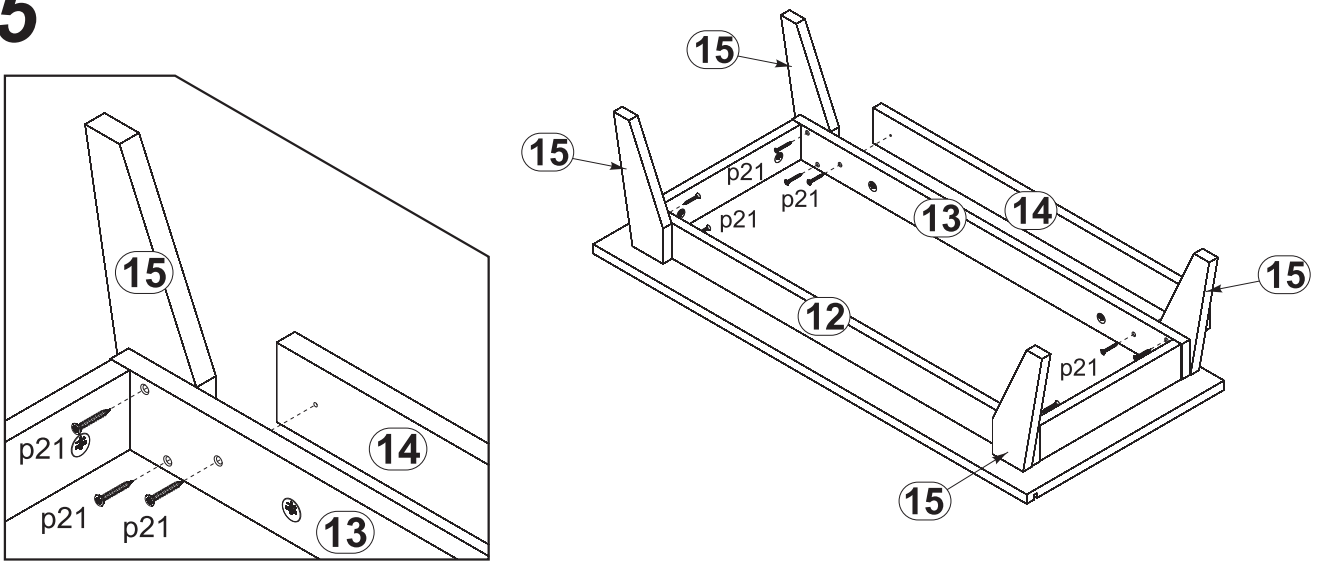
3



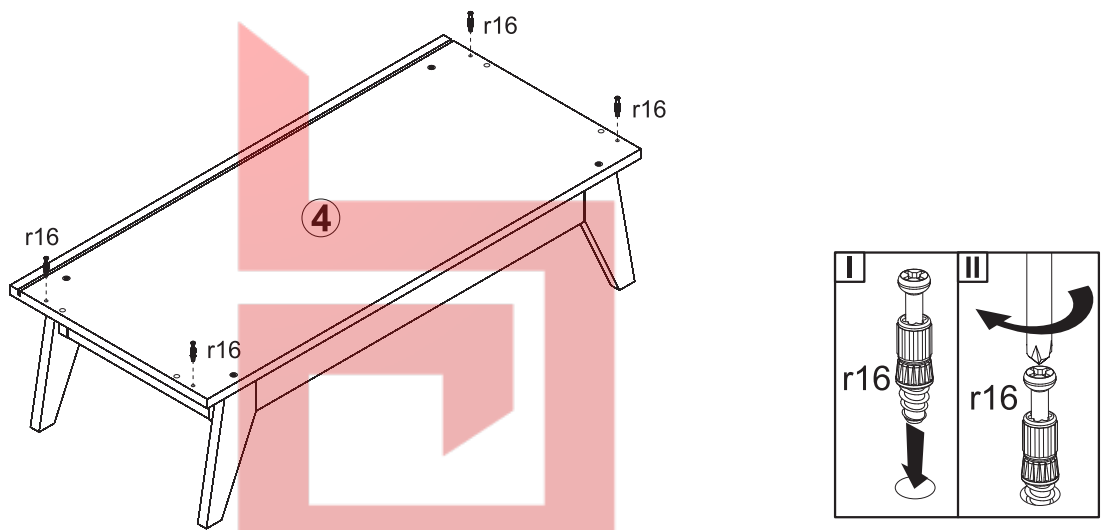
4



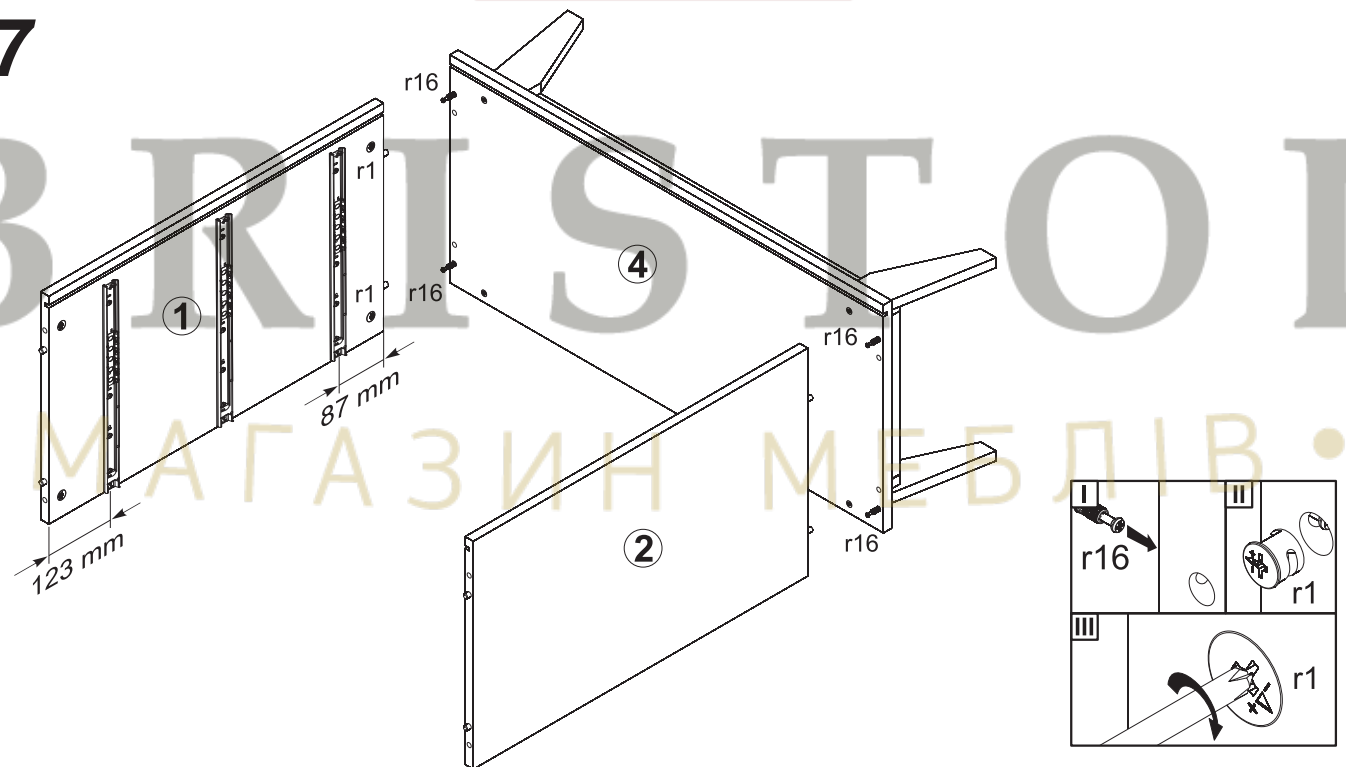
# 5



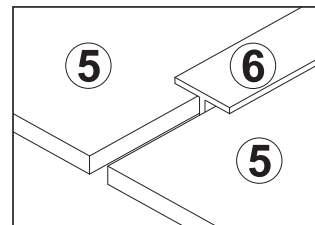
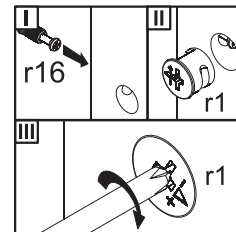
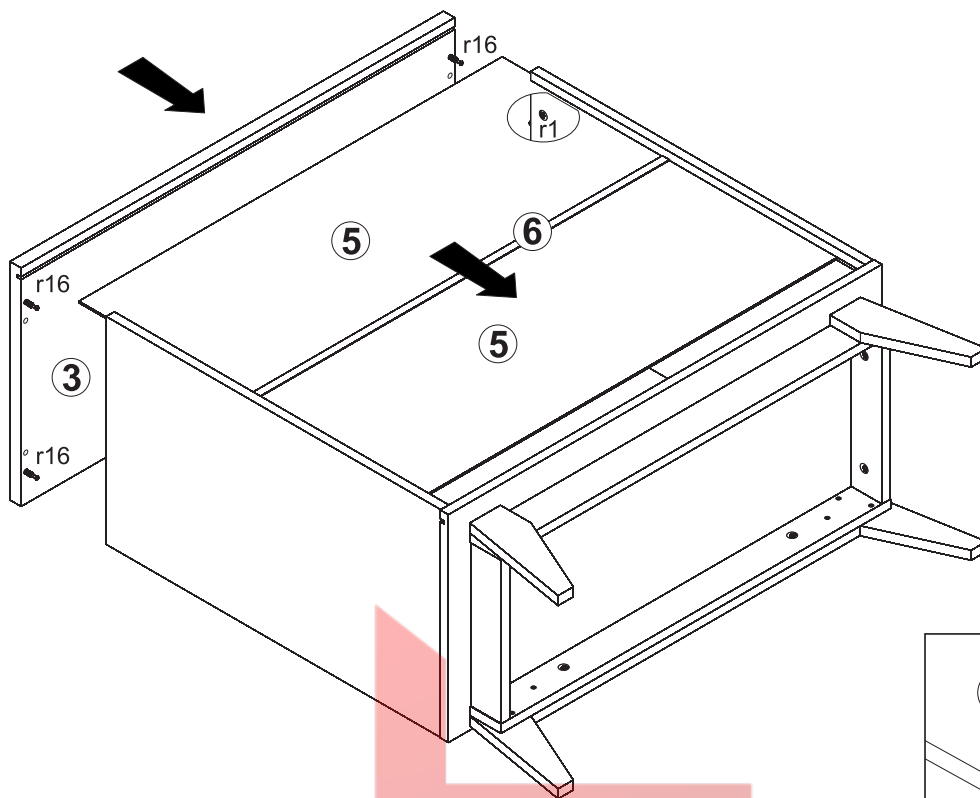
# 6



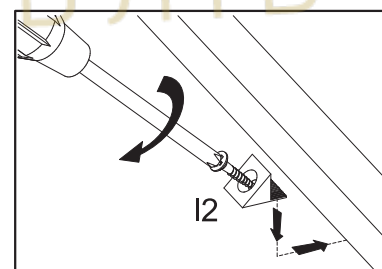
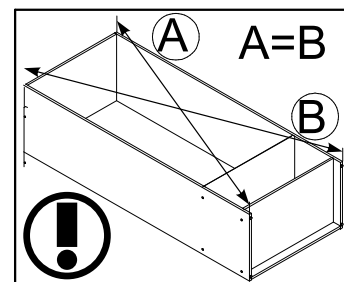
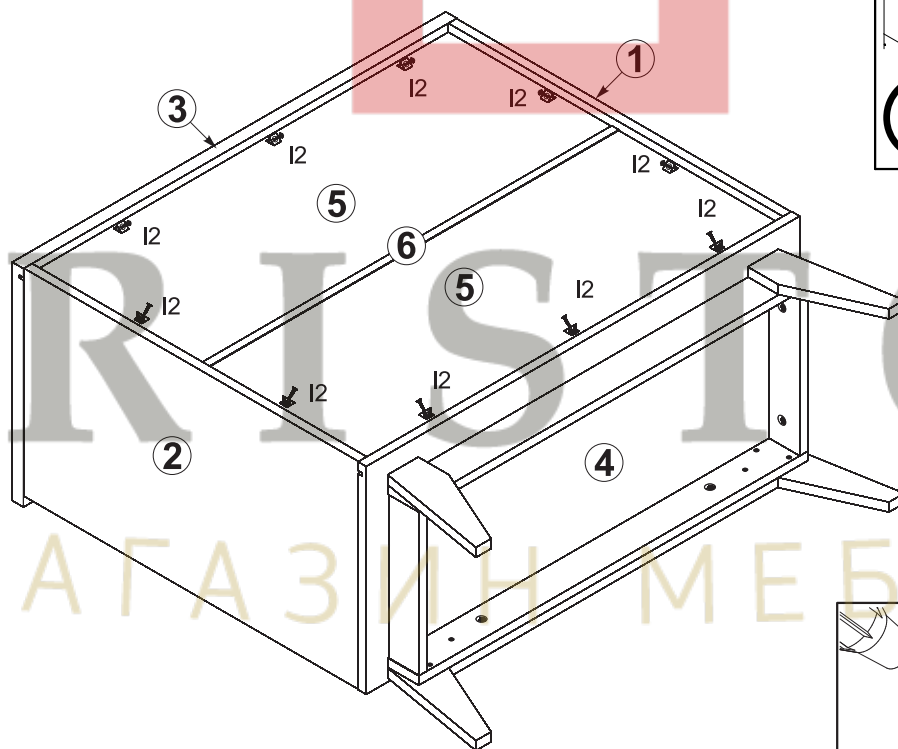
# 7



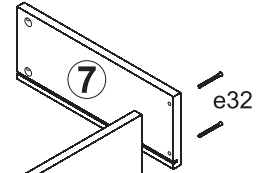
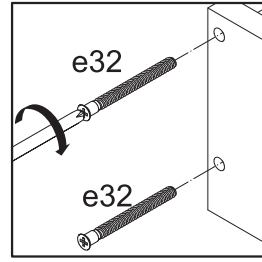
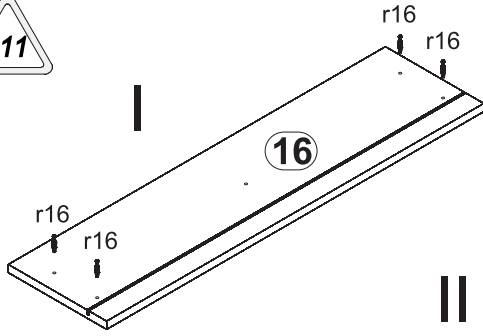
8



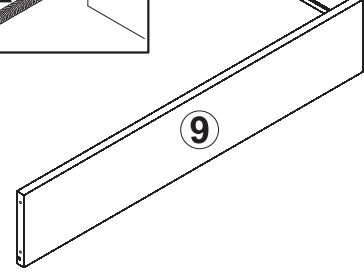
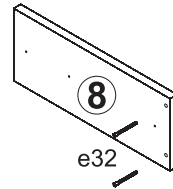
9



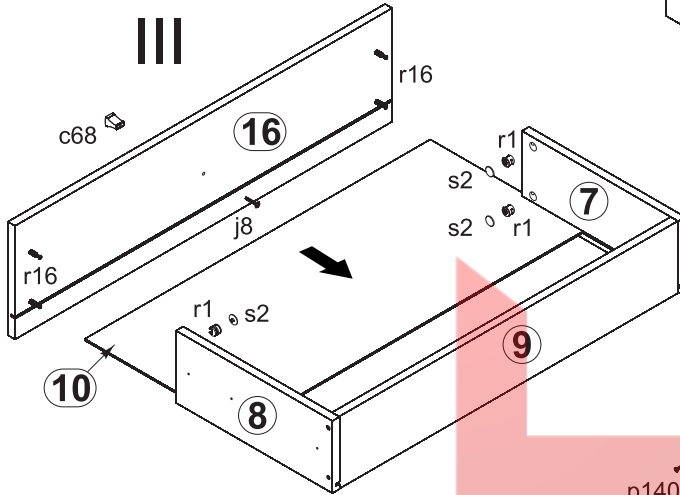
# 10



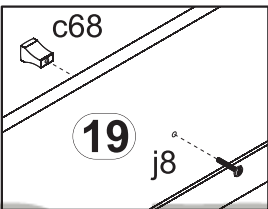
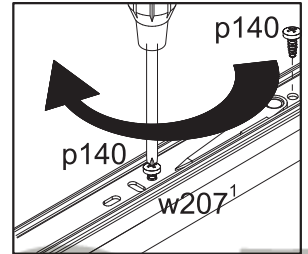
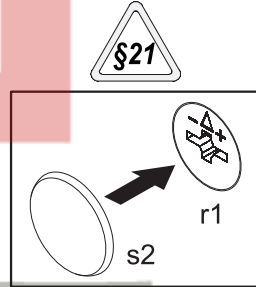
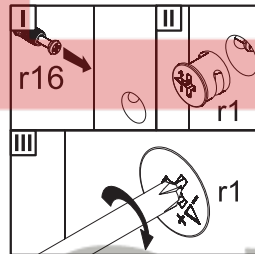
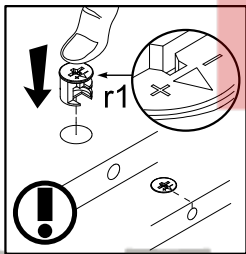
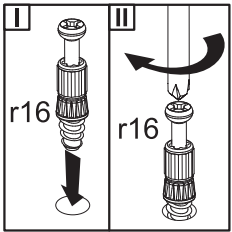
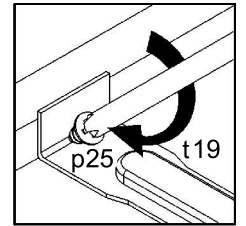
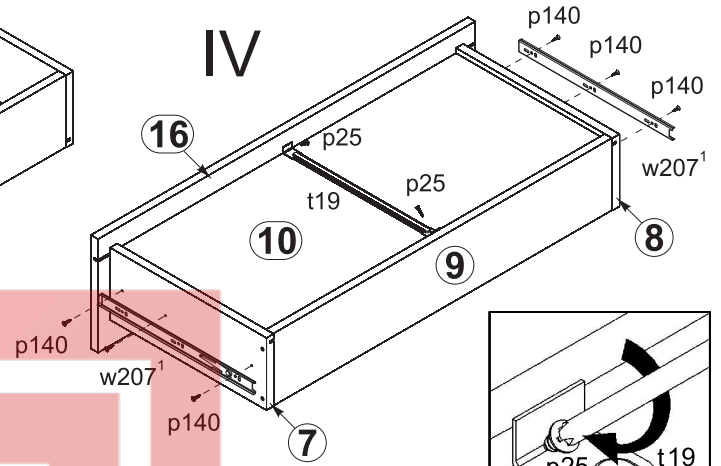
## II



## III



## IV



# 11

