




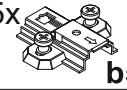
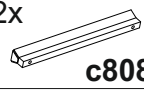
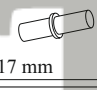
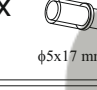
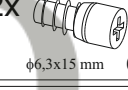

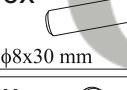







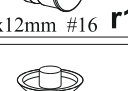
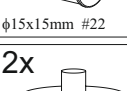




REG1W_L

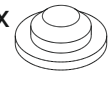
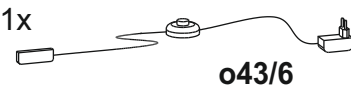
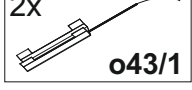
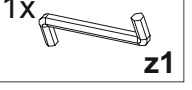
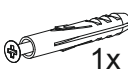
REG1W_P

1	BK1-004	534	200	5/5
2	BK1-005	534	200	5/5
3	BK1-006	534	605	5/5

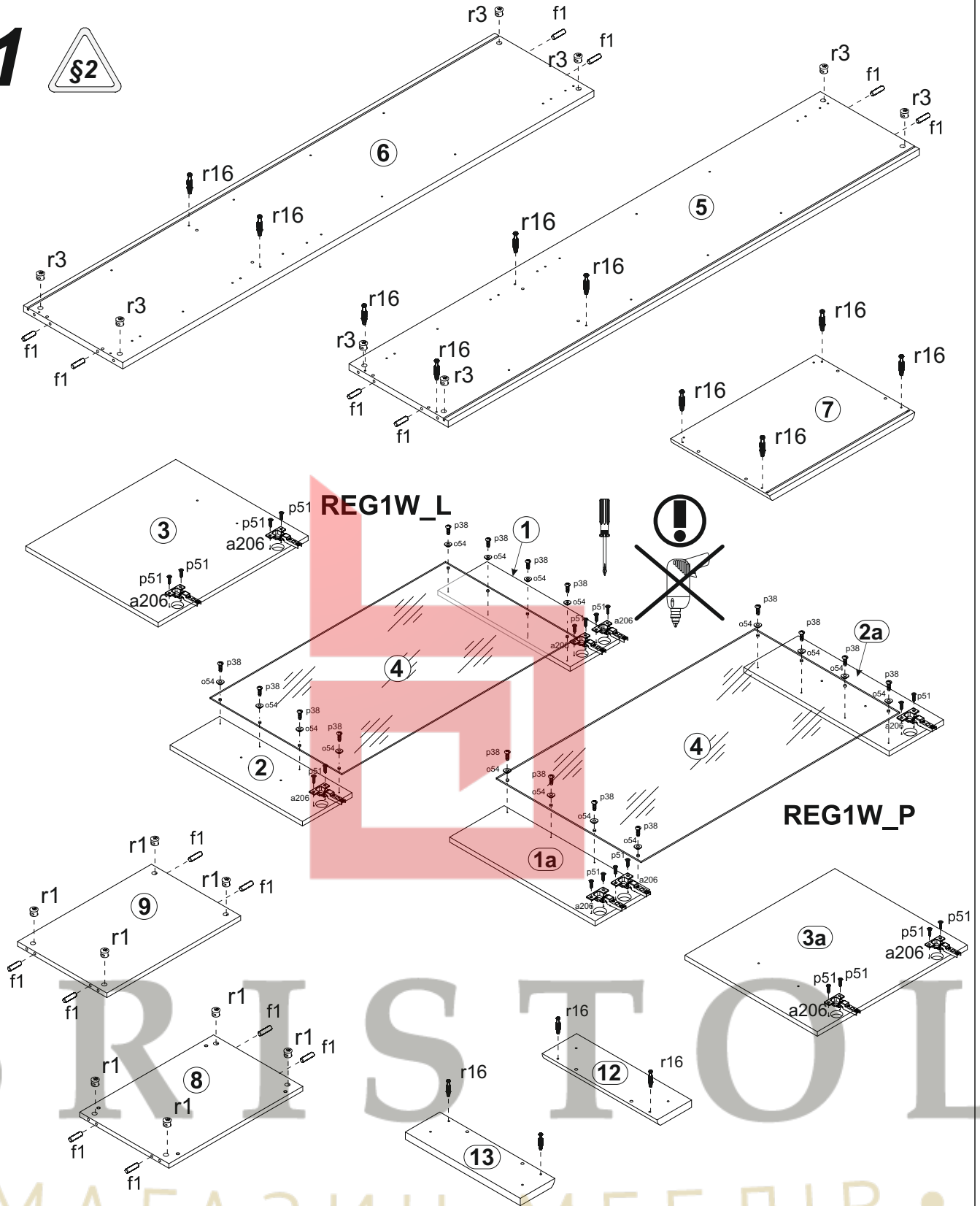
1a	BK1-007	534	200	5/5
2a	BK1-008	534	200	5/5
3a	BK1-009	534	605	5/5

4	BK1-501	950	532	4/5
5	BK1-108	1901	400	1/5
6	BK1-109	1901	400	1/5
7	BK1-207	585	400	2/5
8	BK1-306	540	360	2/5
9	BK1-307	540	360	2/5
10	BK1-308	540	350	2/5
11	BK1-309	538	340	3/5
12	BK1-204	120	400	2/5
13	BK1-205	120	400	2/5
14	BK1-906	276	1906	1/5
15	BK1-907	276	1906	1/5
16	LH-1884	1884	14	1/5

5x  a206	5x  b59	2x  c808
8x  d1 φ5x17 mm	8x  d3 φ5x17 mm	2x  d4 φ6,3x15 mm
4x  e22 φ7x28 mm	16x  f1 φ8x30 mm	12x  l1
12x  i2	4x  k1	1x  n2611
4x  p9 φ4x30 mm	9x  p38 φ3,5x16 mm	10x  p51 φ3,5x15 mm
8x  r1 φ15x12mm #16	8x  r3 φ15x15mm #22	16x  r16
4x  s1	12x  s2 φ16	10x  s4 φ5

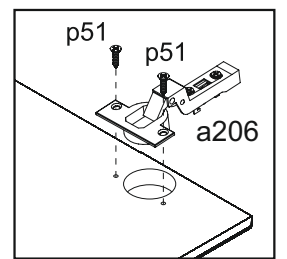
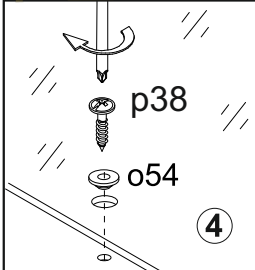
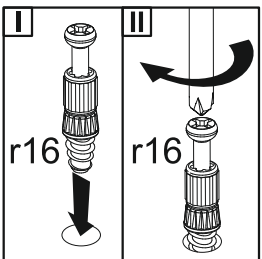
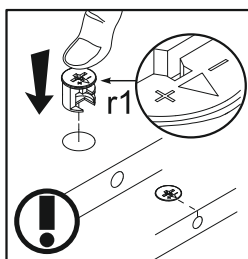
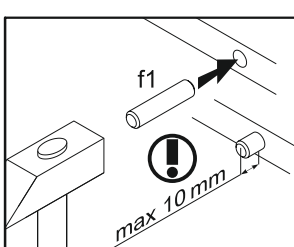
8x  o1	1x  o43/6
2x  o43/1	1x  z1
 1x	

1

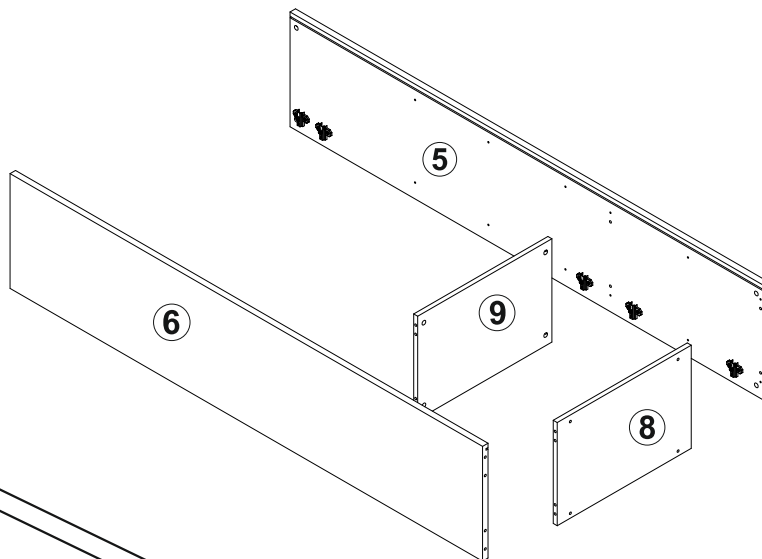
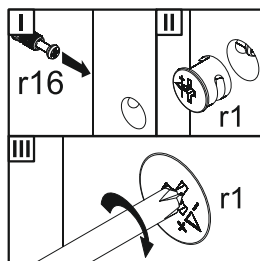


REG1W_L

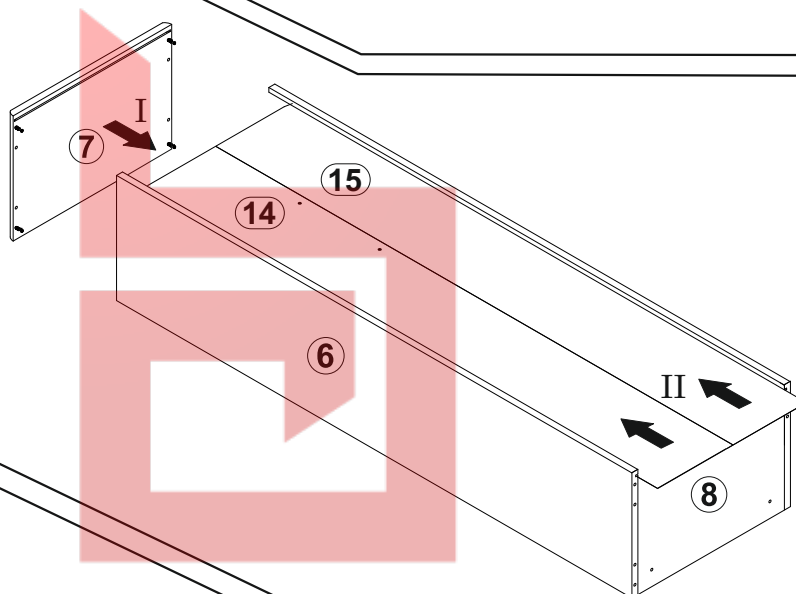
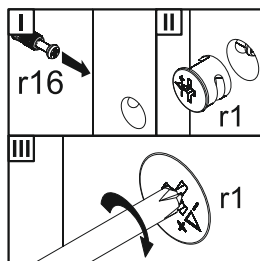
REG1W_P



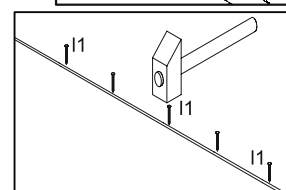
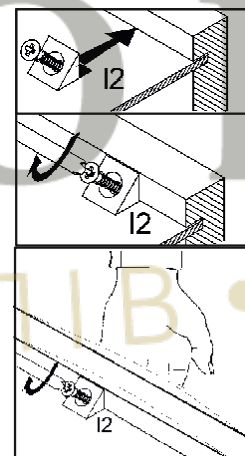
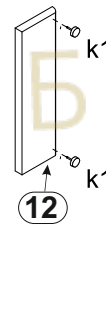
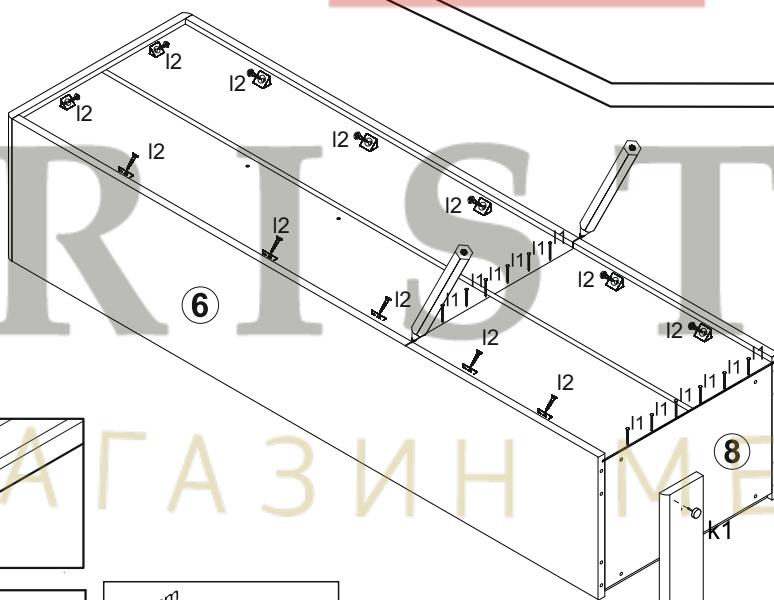
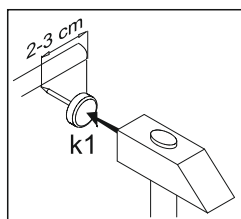
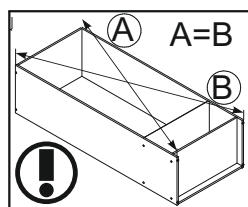
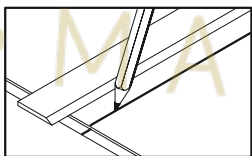
2



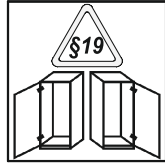
3



4



5



REG1W_L

REG1W_P

