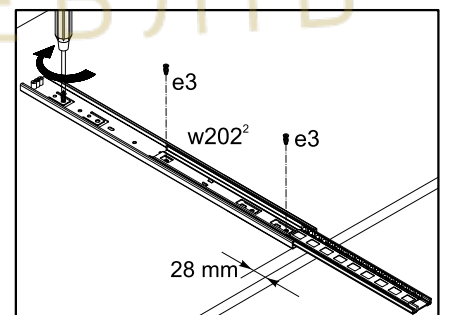
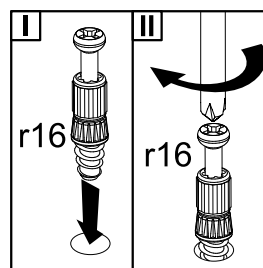
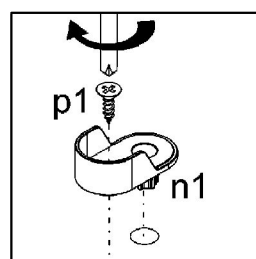
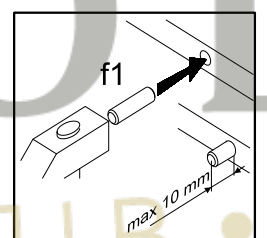
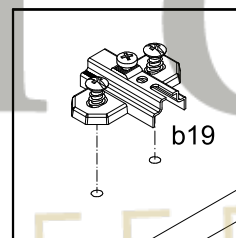
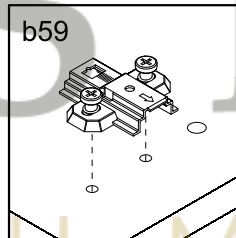
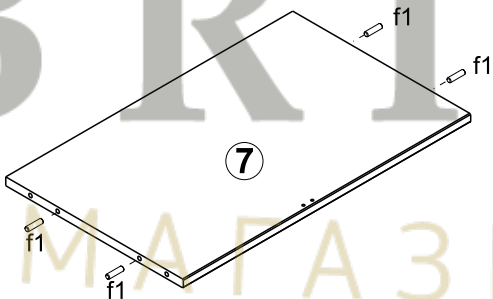
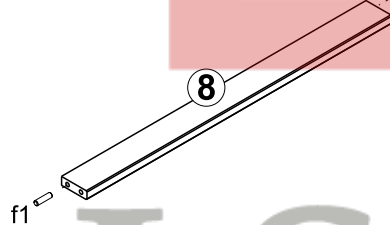
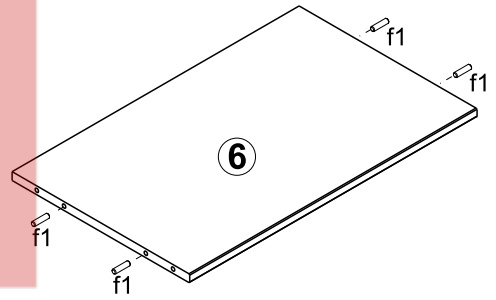
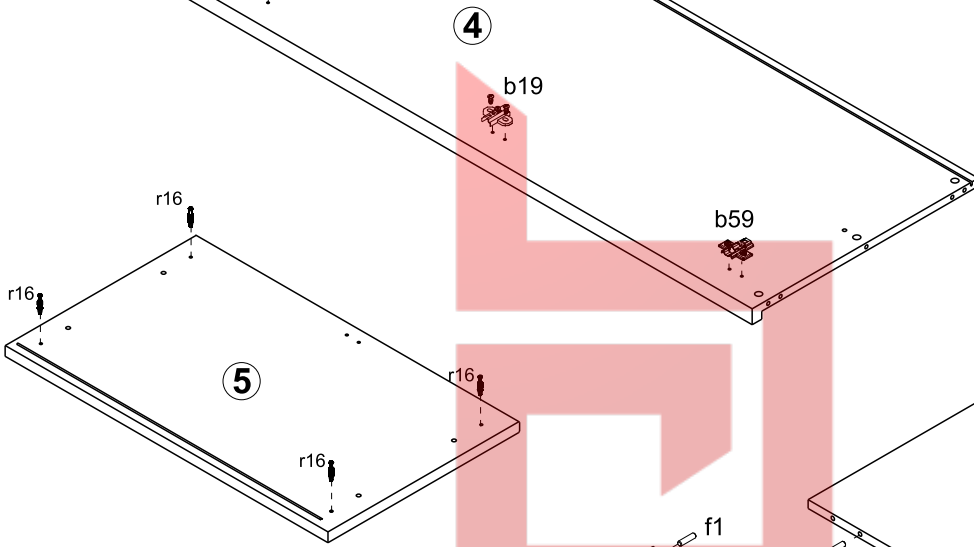
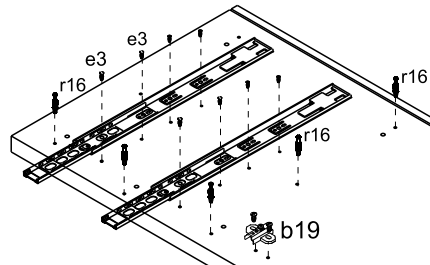
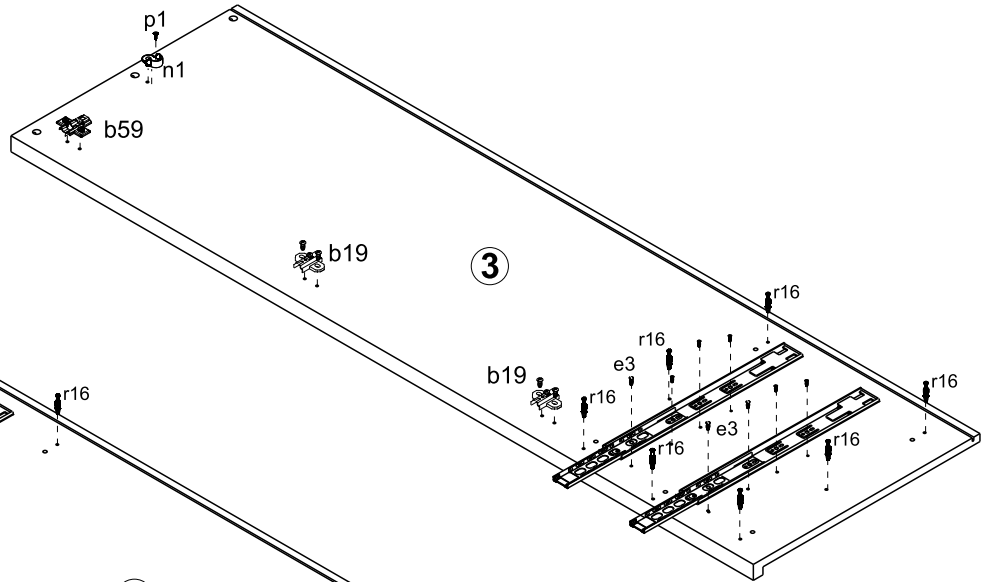


A	B	C		D	9	KN1-573	500	140	2/4
1	KN1-017	1436	396	3/4	10	KN1-574	500	140	2/4
2	KN1-016	795	180	4/4	11	KN1-571	743	140	2/4
3	KN1-125	1933	590	1/4	12	KN1-572	743	140	2/4
4	KN1-126	1933	590	1/4	13	KN1-923	758	481	2/4
5	KN1-209	895	600	2/4	14	KN1-924	1872	407	1/4
6	KN1-322	801	567	2/4	15	KN1-925	1872	407	1/4
7	KN1-323	801	567	2/4	16	LH-1849	1849	14	1/4
8	KN1-404	801	60	2/4	17	DR-796	796		2/4

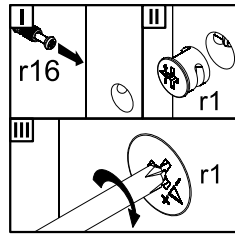
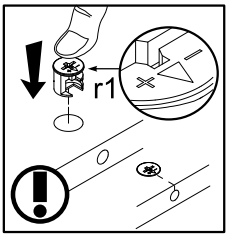
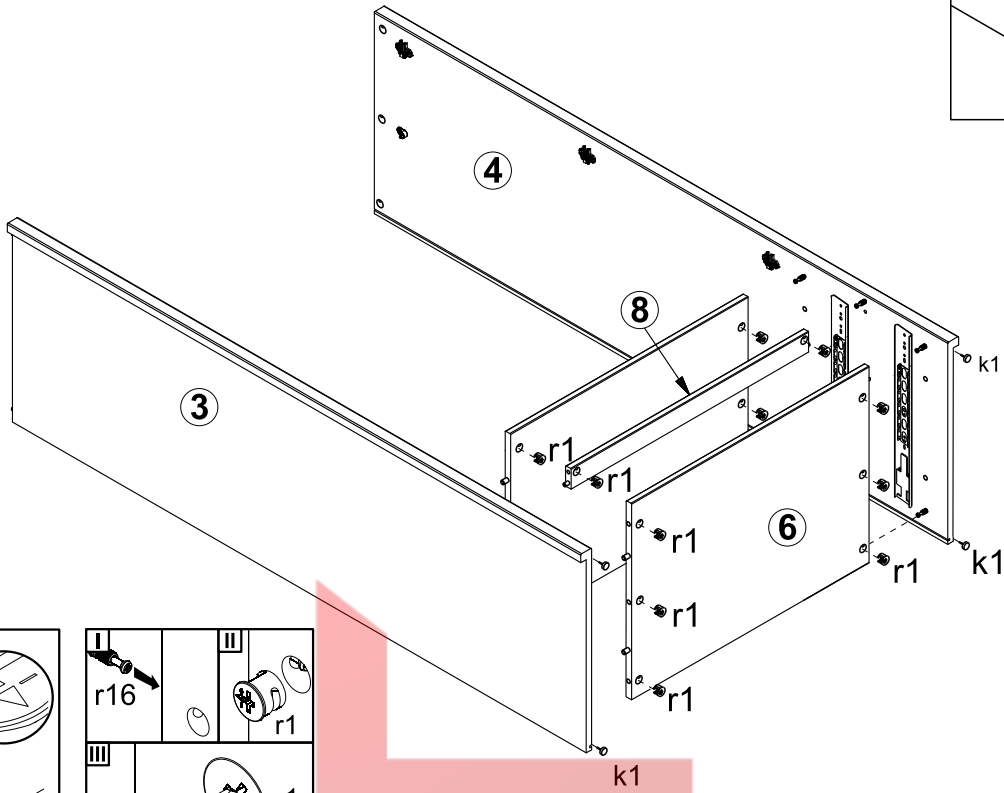
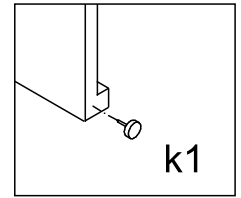


14x φ8x30 mm f1	4x k1	12x l2	20x r16	20x φ15x12mm #16 r1	16x φ5x50 mm e32	1x n2611	2x φ3,5x13 mm p1
16x φ6x13 mm e3	16x φ3,5x12 mm p140	6x φ16 s2	1x φ3,5x16 mm p38	4x φ7x28 mm e22	2x 467mm t102	4x φ3,5x16 mm p25	2x n1
4x a43	2x a206	4x b19	2x D2 b59	4x φ6,3x15 mm d4	8x M4x14 mm j29	15x l1	4x c434
4x 500 mm w203 ¹	4x 500 mm w203 ²	12x φ3 5x15 mm p51	1x z1				

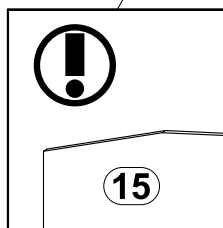
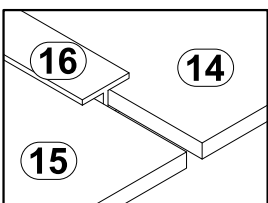
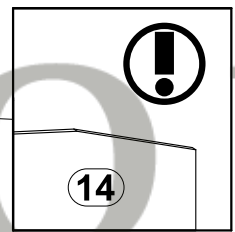
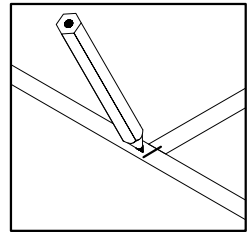
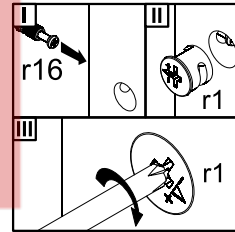
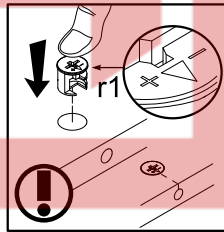
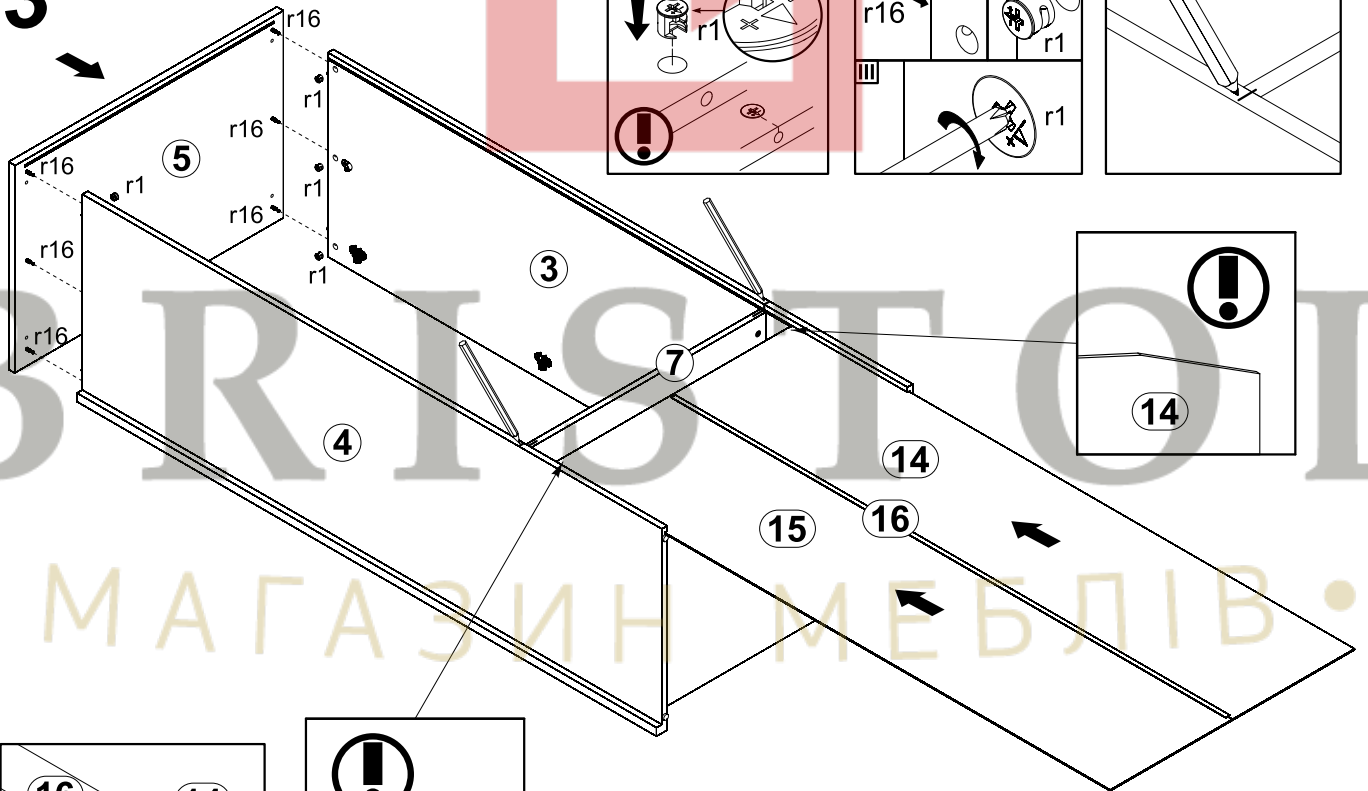
1

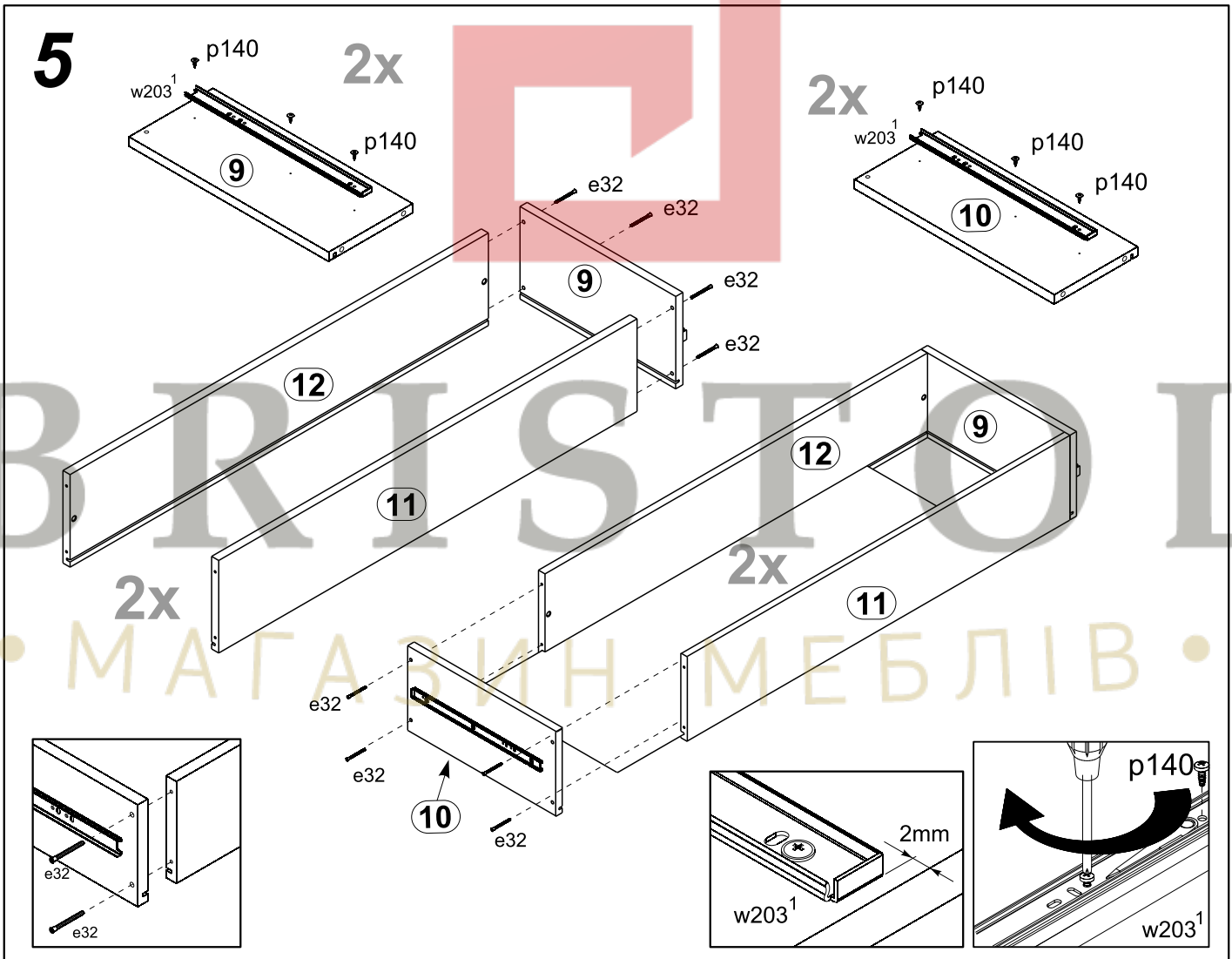
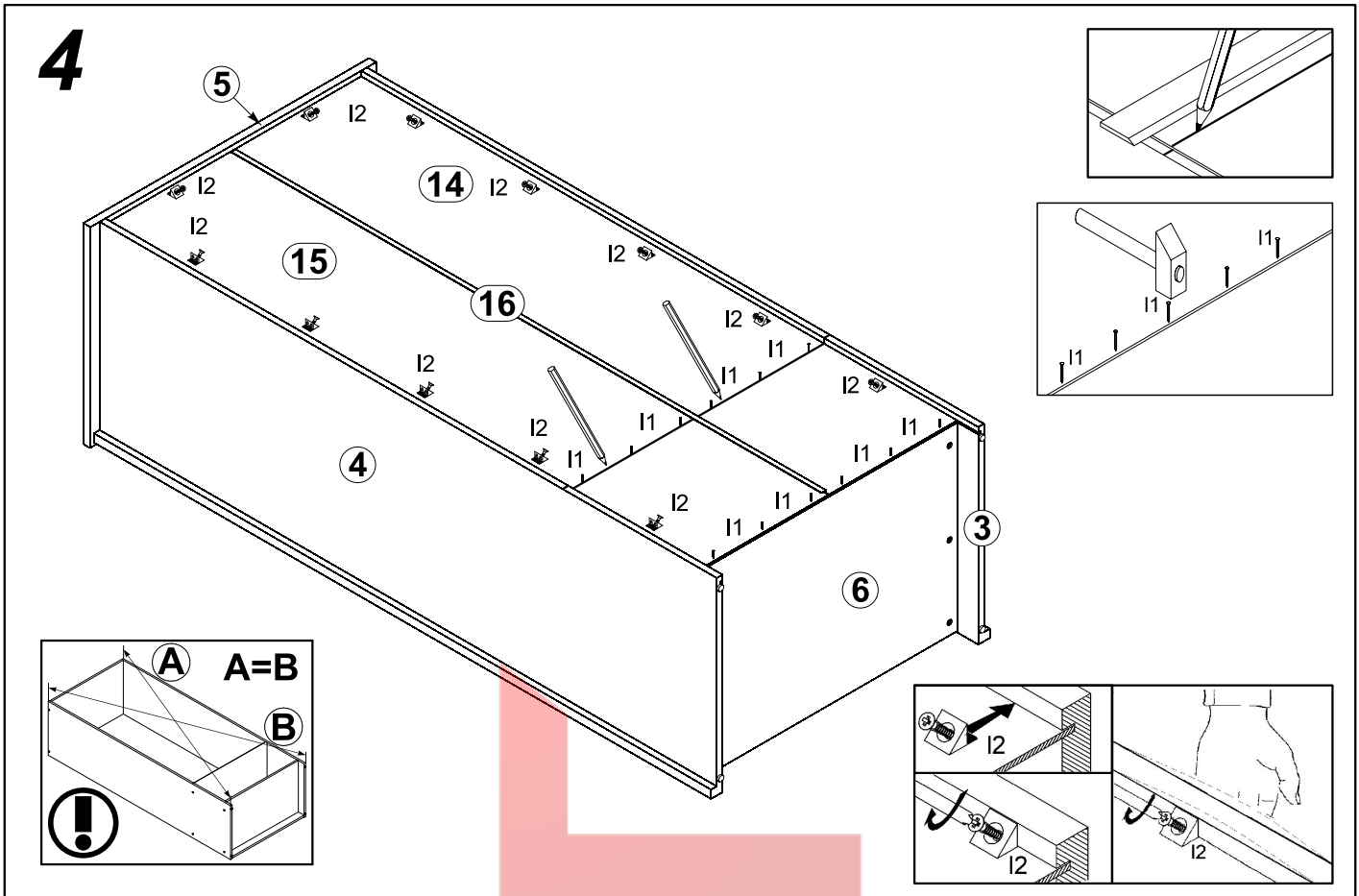


2



3





7

