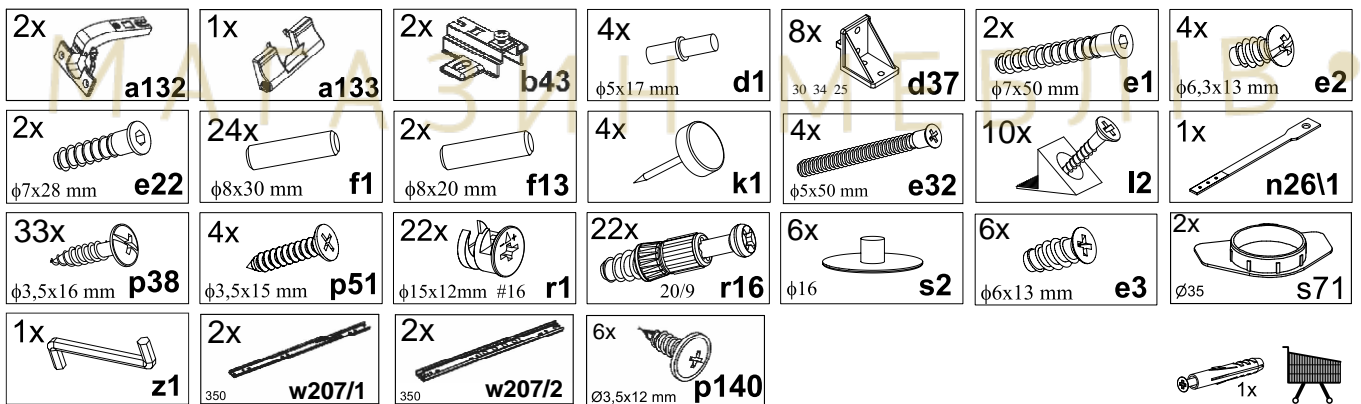
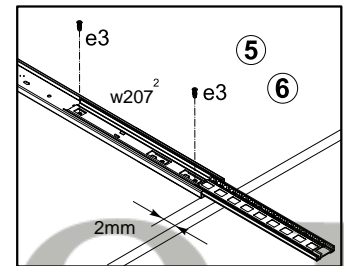
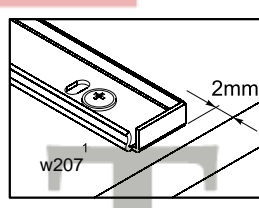
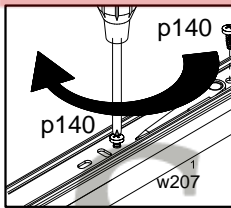
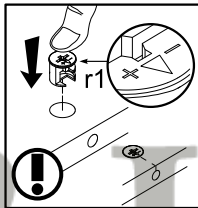
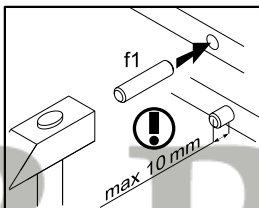
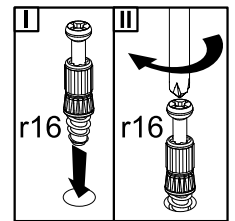
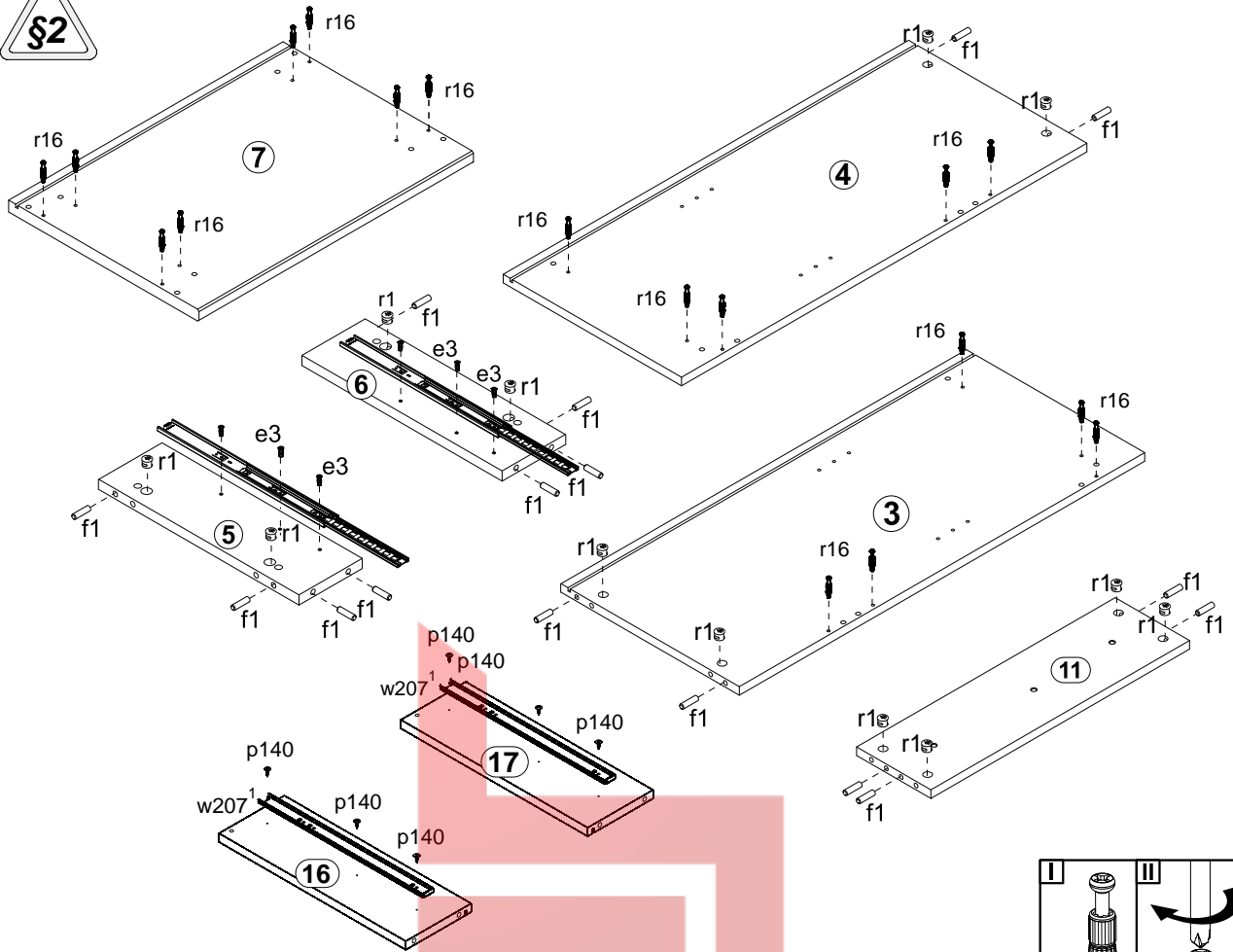


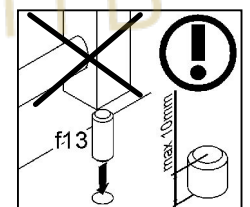
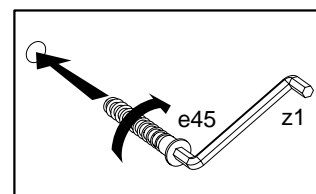
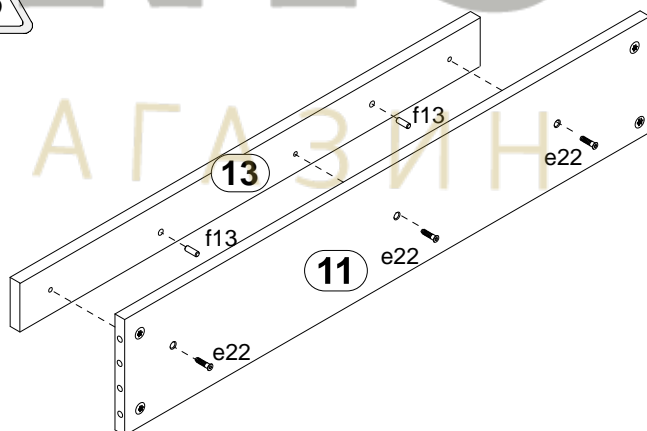
A	B	C		D	11	S404-4026	557	160	2/3
1	S404-0012	446	458	3/3	12	S404-5026	449	70	2/3
2	S404-0011	446	205	3/3	13	S404-5027	449	70	2/3
3	S404-1033	873	384	1/3	14	S404-5024	873	70	1/3
4	S404-1034	873	384	1/3	15	S404-5025	873	70	1/3
5	S404-1035	115	364	2/3	16	S404-5108	350	120	2/3
6	S404-1036	115	364	2/3	17	S404-5109	350	120	2/3
7	S404-2009	591	410	2/3	18	S404-5110	393	120	2/3
8	S404-3017	557	384	2/3	19	S404-9006	408	349	2/3
9	S404-3018	557	364	2/3	20	S404-9303	801	283	1/3
10	S404-4025	557	60	2/3	21	LH-790	790	14	1/3



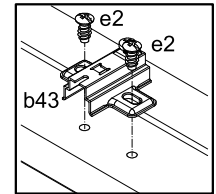
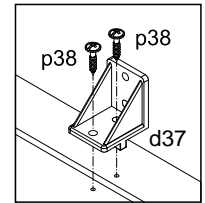
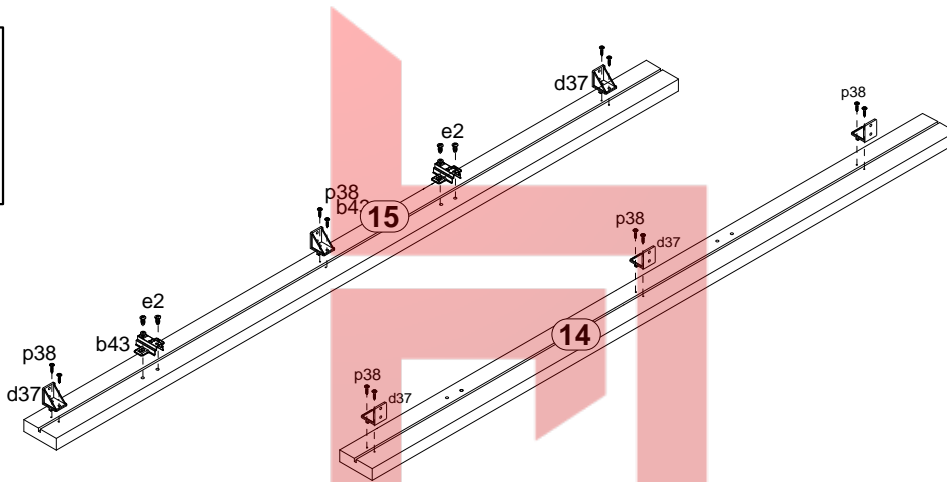
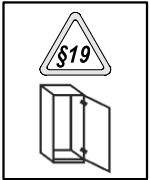
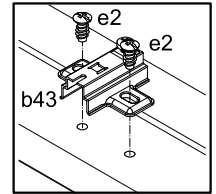
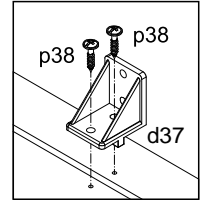
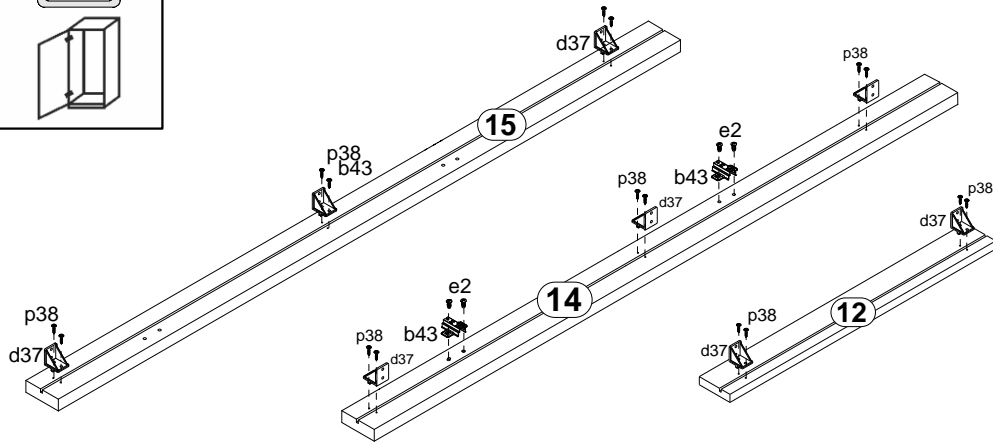
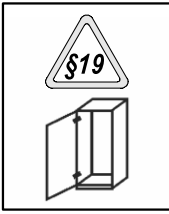
# 1



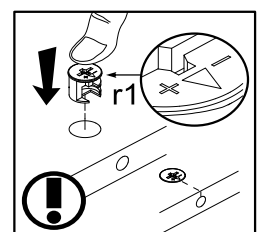
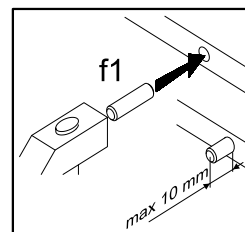
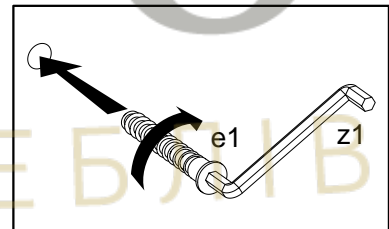
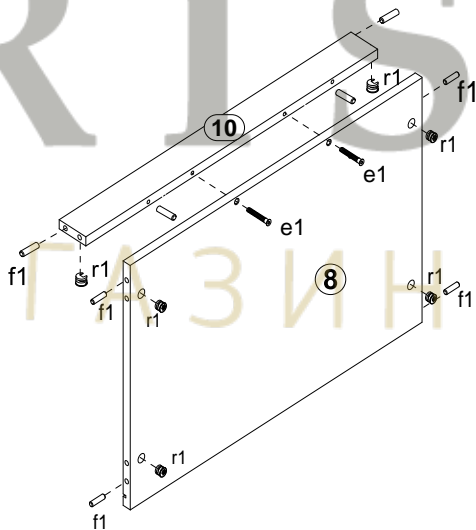
# 2



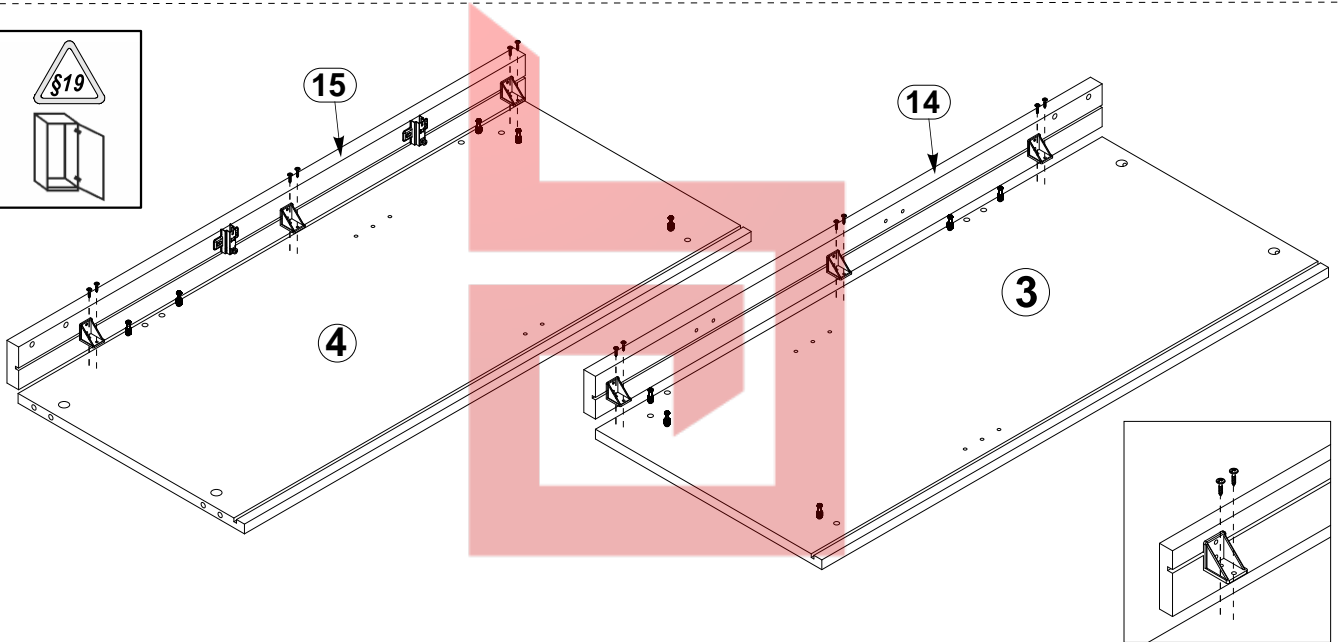
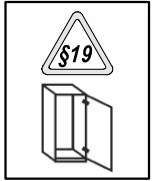
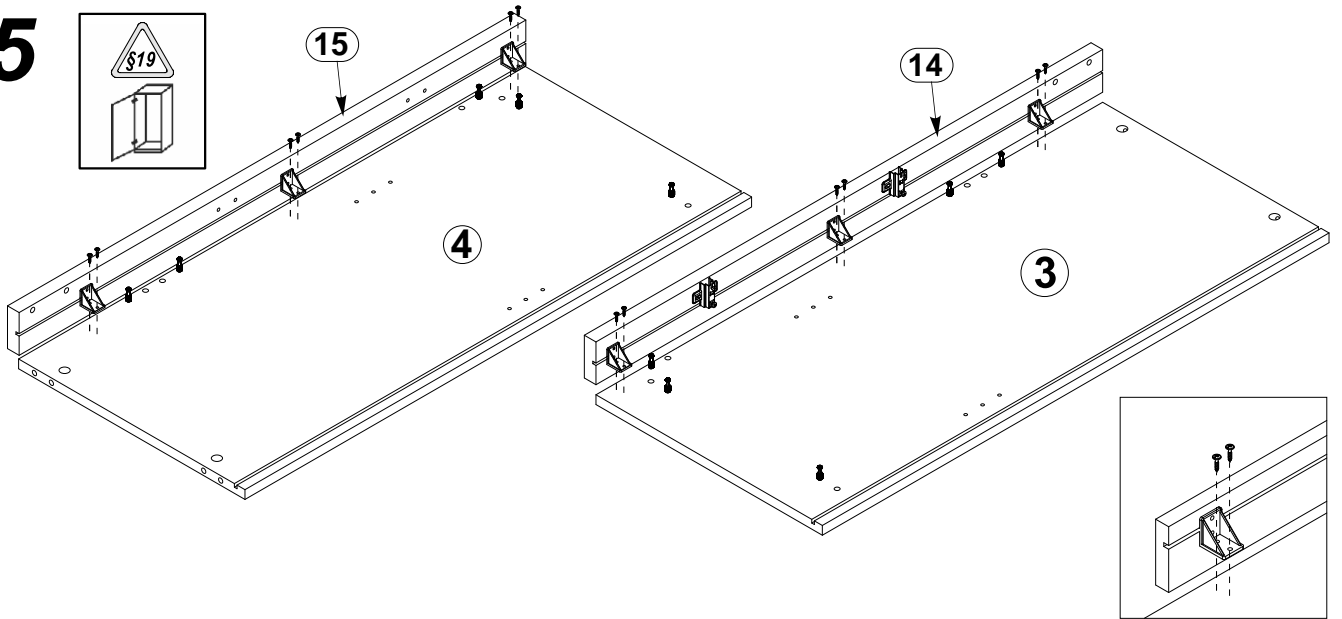
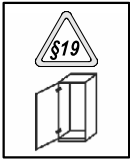
# 3



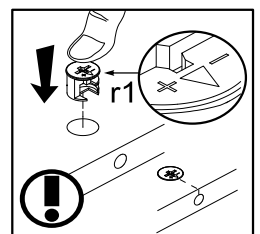
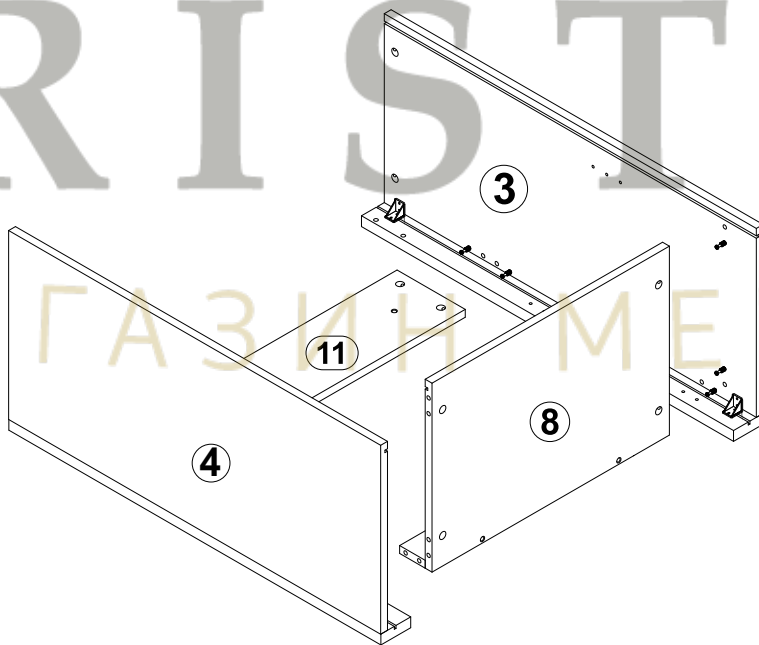
# 4



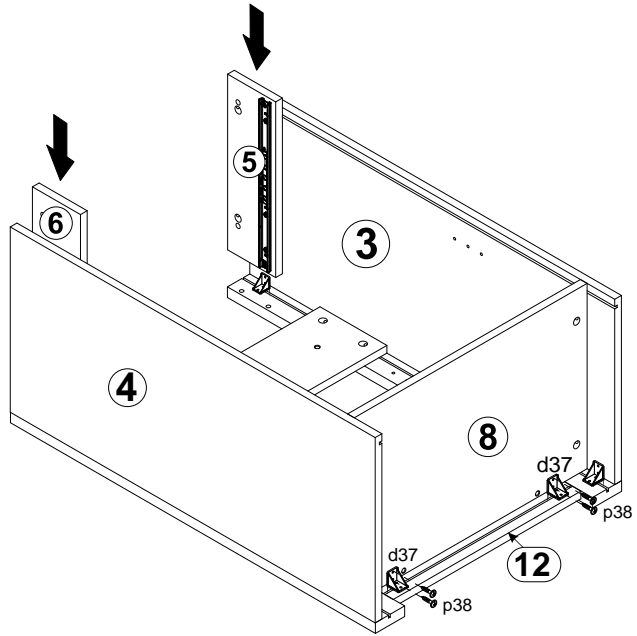
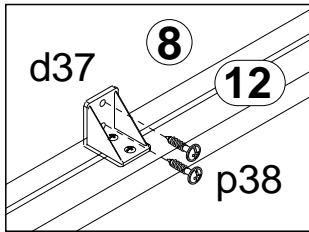
5



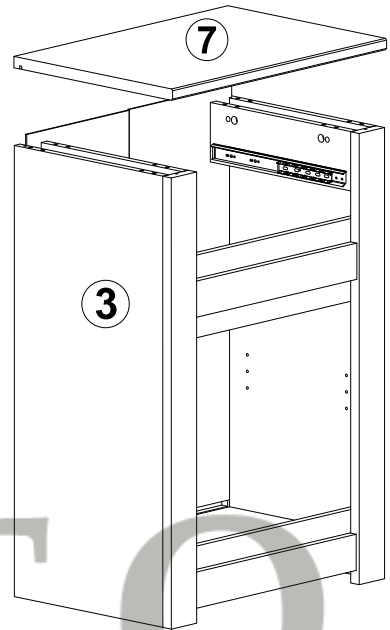
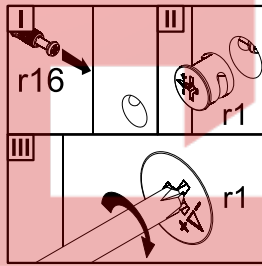
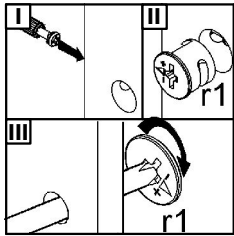
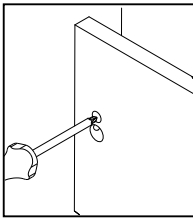
6



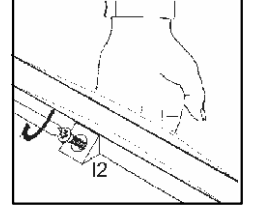
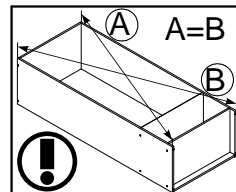
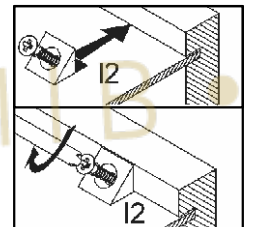
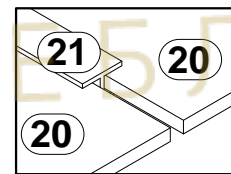
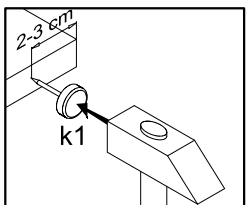
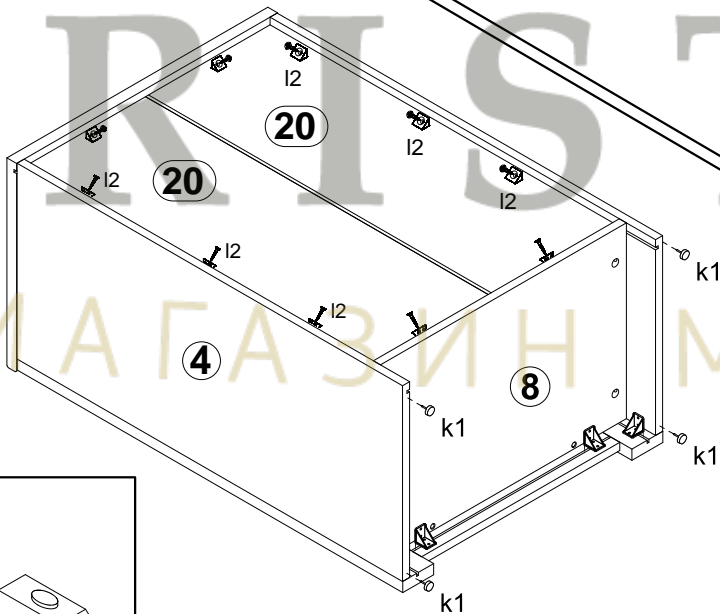
# 7



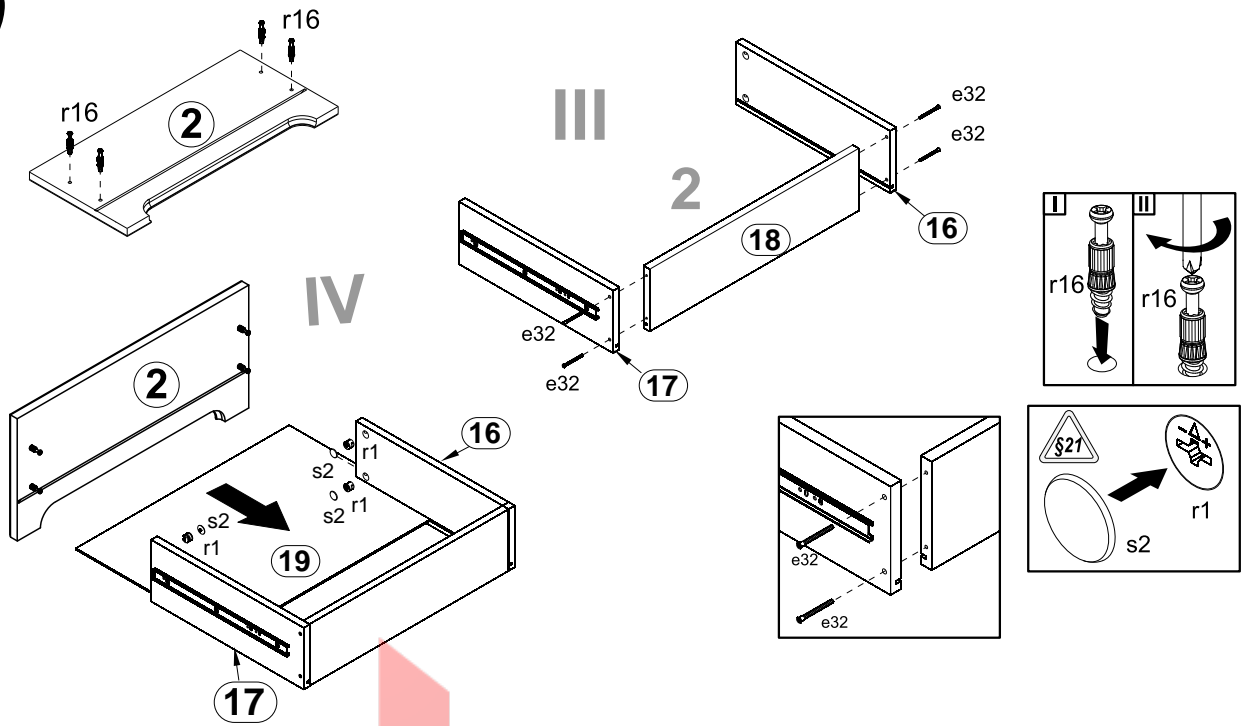
# 8



# 9



# 10



# 11

