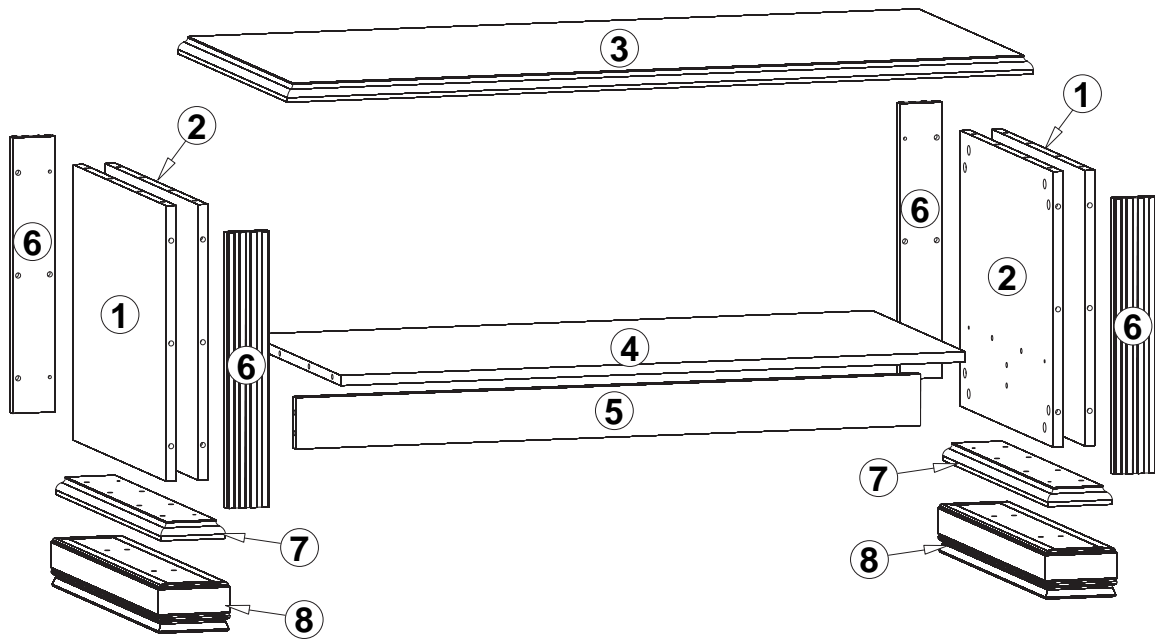
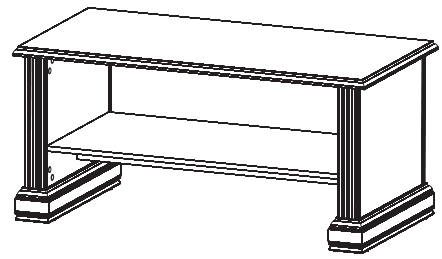
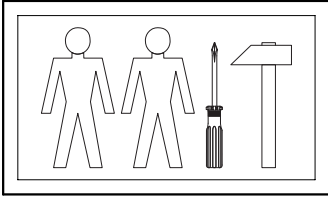


/

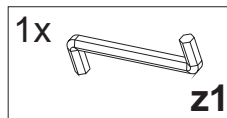
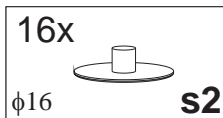
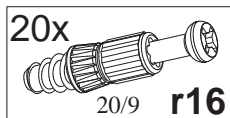
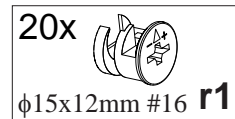
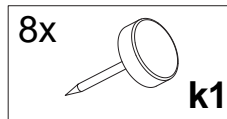
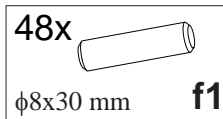
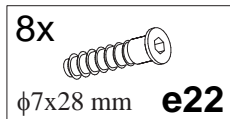
C

/C

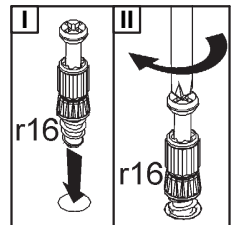
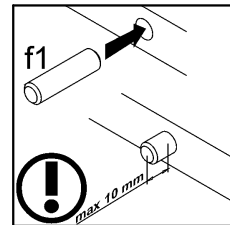
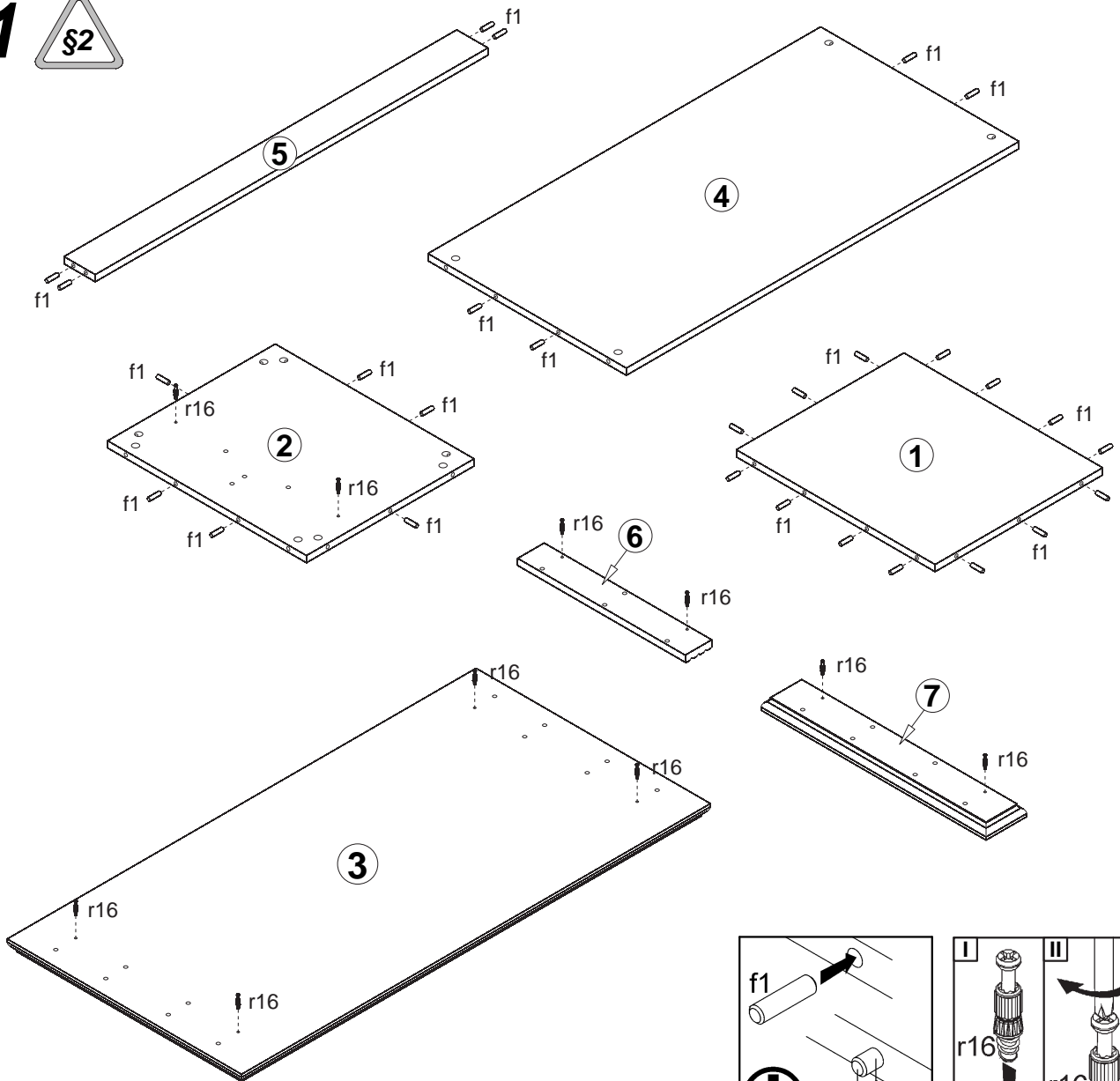


A	B	C		D
1	NT1-167	429	509	2/3
2	NT1-168	429	509	2/3
3	NT1-252	1200	600	1/3
4	NT1-333	1005	508	2/3

A	B	C		D
5	NT1-431	1005	80	1/3
6	NT1-5504	429	68	1/3
7	NT1-250	104	576	1/3
8	NT1-5503	588	116	3/3



1



2

