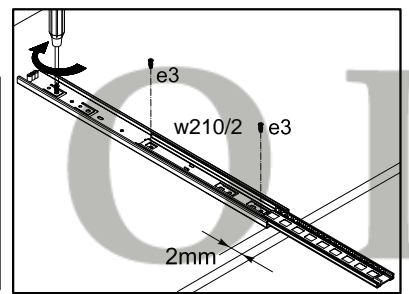
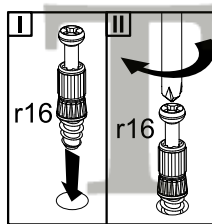
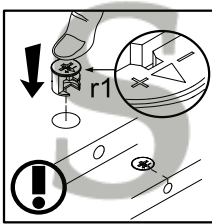
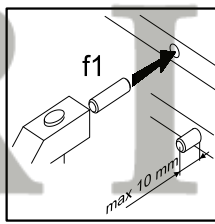
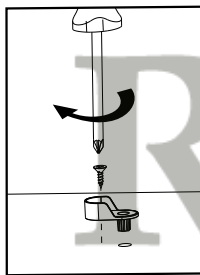
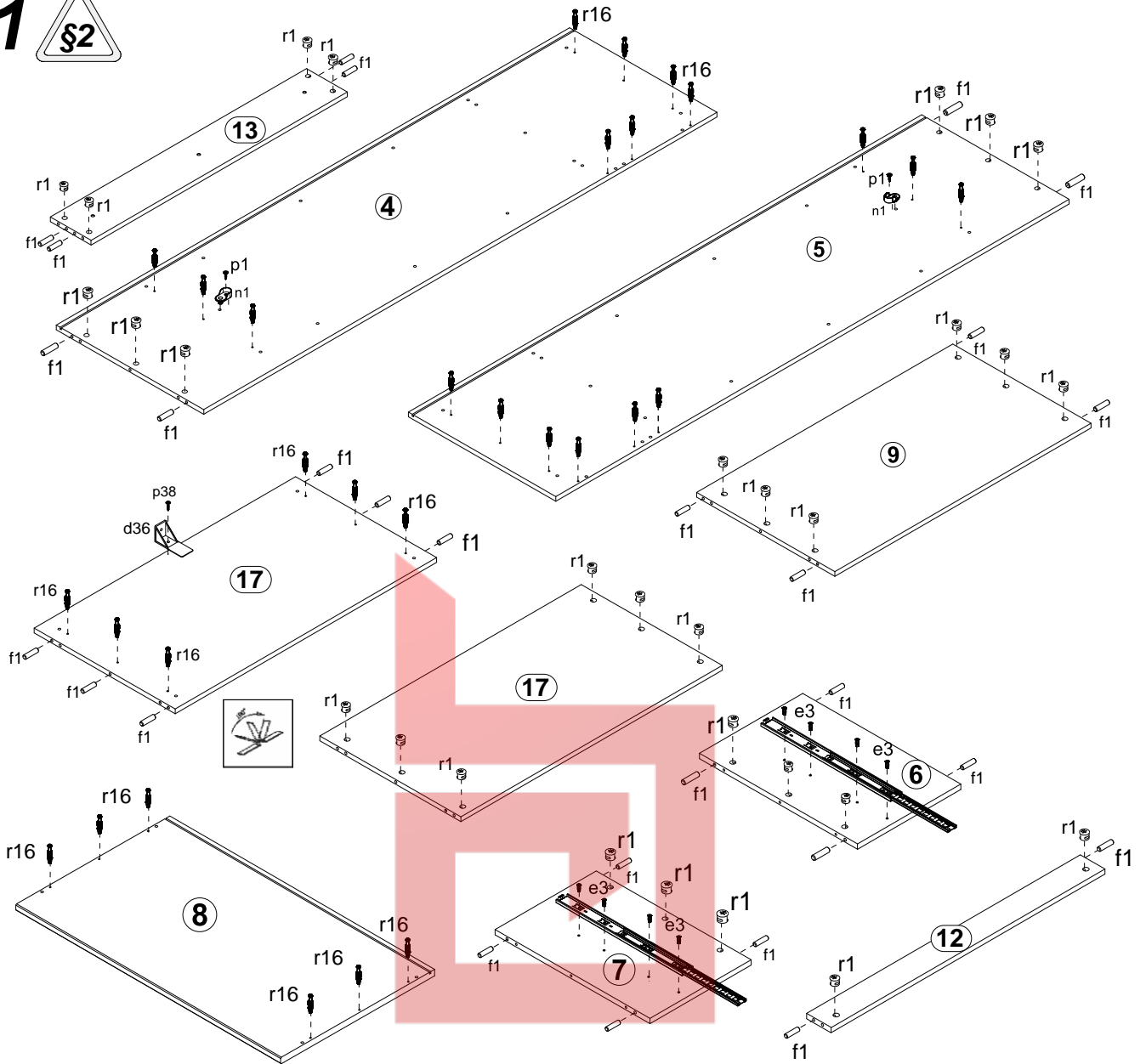


A	B	C	D	A	B	C	D		
1	S404-0050	446	1603	4/5	13	S404-4036	901	146	2/5
2	S404-0051	446	1603	4/5	14	S404-5003	899	70	2/5
3	S404-0049	895	205	5/5	15	S404-5004	899	70	2/5
4	S404-1046	2018	578	1/5	16	S404-3027	1007	578	3/5
5	S404-1048	2018	578	1/5	17	S404-3028	1007	558	3/5
6	S404-1047	363	558	2/5	18	S404-5111	843	120	2/5
7	S404-1049	363	558	2/5	19	S404-5112	500	120	2/5
8	S404-2014	1041	604	2/5	20	S404-5113	500	120	2/5
9	S404-3029	1007	558	2/5	21	S404-9310	499	858	2/5
10	S404-5039	2018	70	1/5	22	S404-9008	1946	507	1/5
11	S404-5040	2018	70	1/5	23	DR-1002	1002		2/5
12	S404-4035	901	60	2/5	24	LH-1934	1934	14	1/5

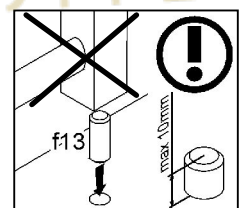
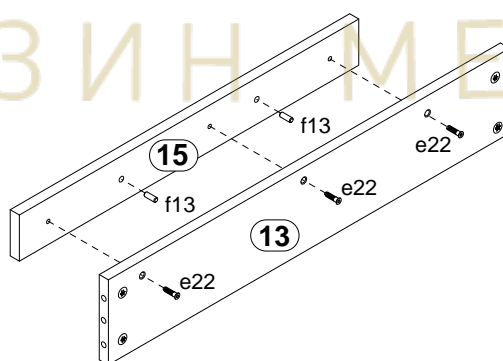
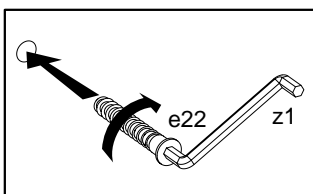
A	B	C	D	
25	S404-3030	1007	558	1/1

6x a132	2x a133	6x b43	2x φ3,5x16 mm p25	8x φ6x13 mm e3	13x 30 34 25 d37	8x φ7x50 mm e1
12x φ6,3x13 mm e2	12x φ5 s4	3x φ7x28 mm e22	32x φ8x30 mm f1	2x φ8x20 mm f13	4x k1	20x l1
22x i2	1x n26/1	55x φ3,5x16 mm p38	12x φ3,5x15 mm p51	40x φ15x12mm #16 r1	40x 20/9 r16	4x φ5x50 mm e32
22x φ16 s2	8x φ3,5x12 mm p140	1x 22 22 24 d36	2x n1	2x φ3,5x13 mm p1	2x 500 mm w210/2	2x 500 mm w210/1
1x 483 mm t17	1x z1			12x φ5x17 mm d1	 1x 	

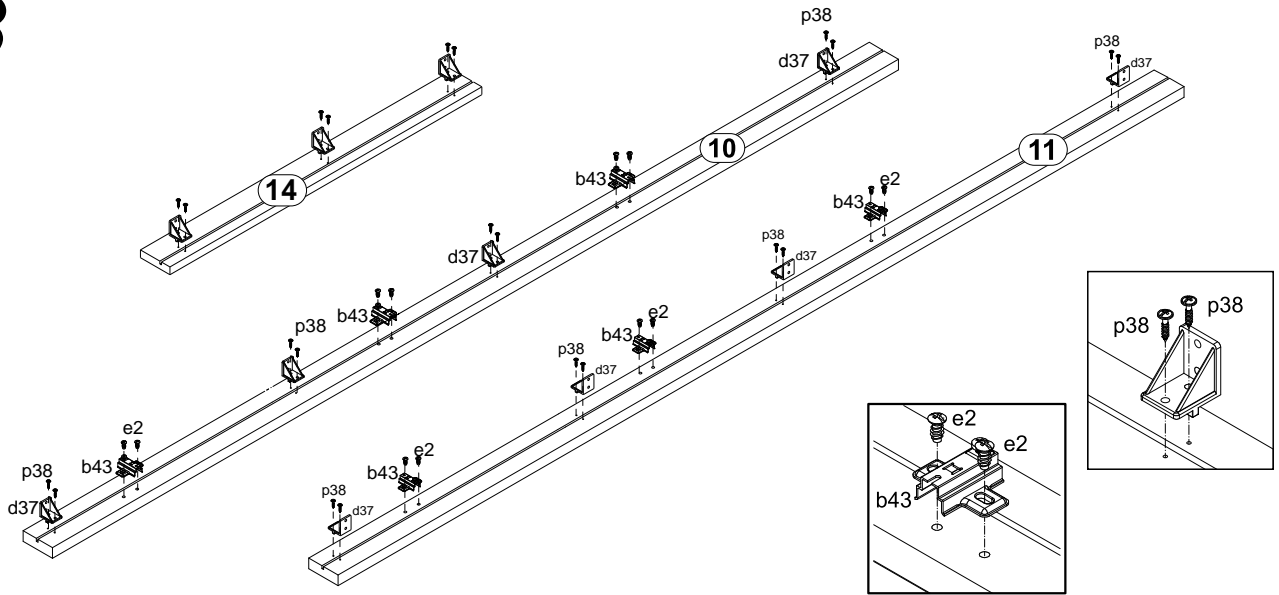
1



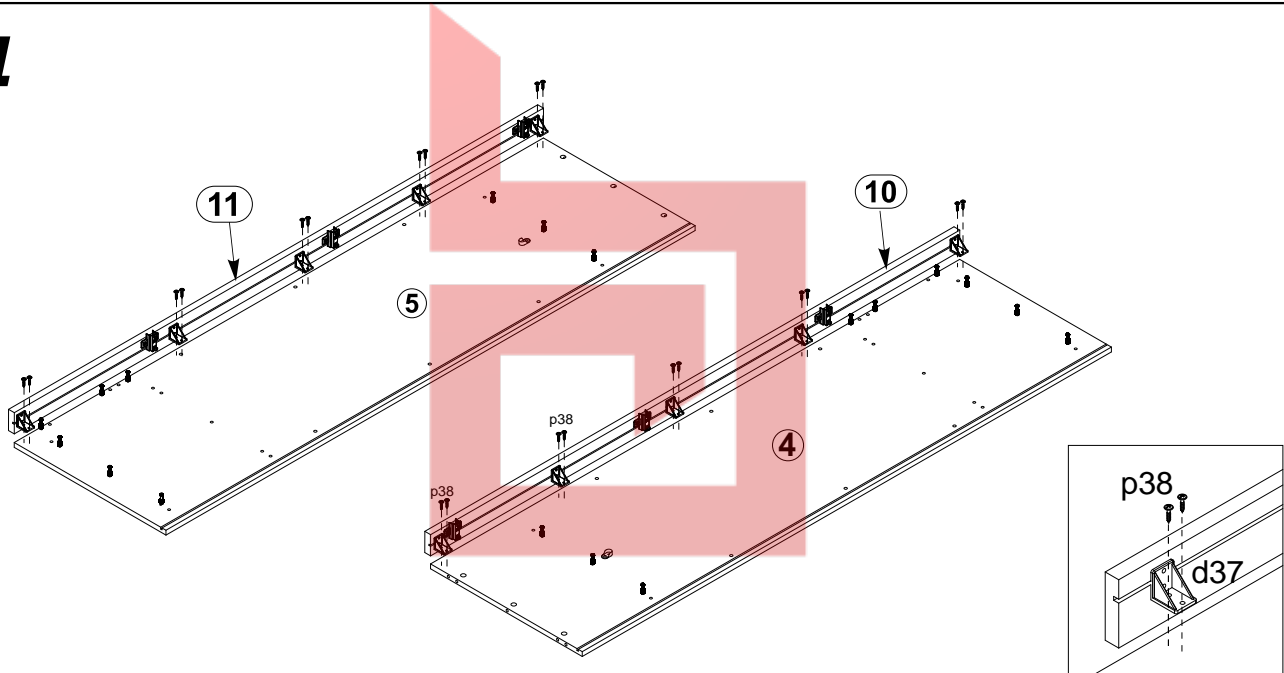
2



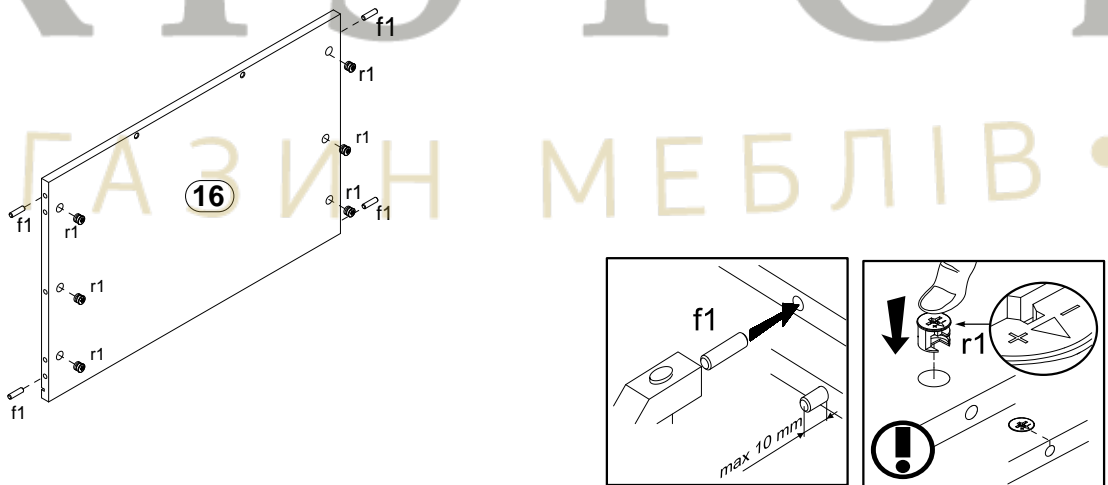
3



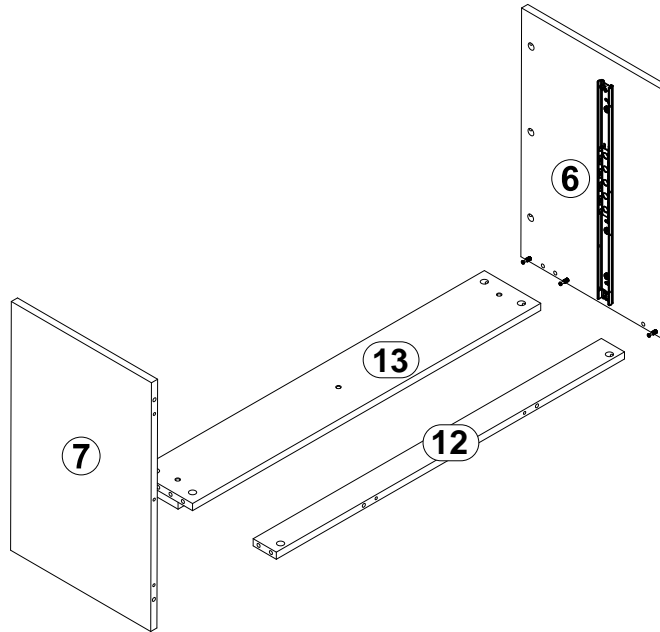
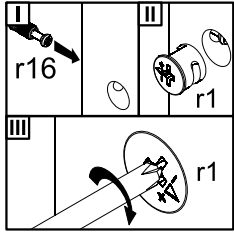
4



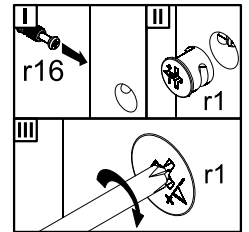
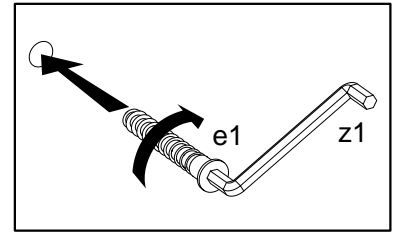
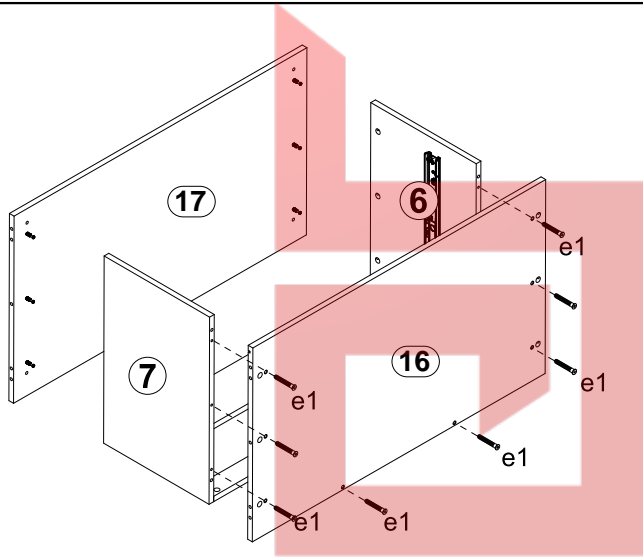
5



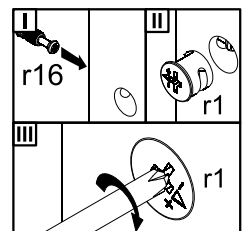
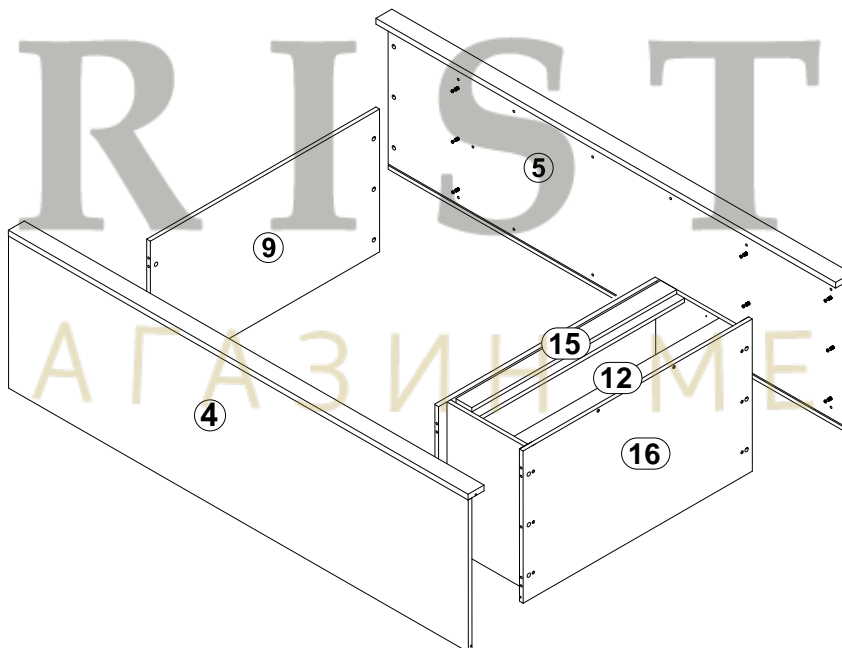
6



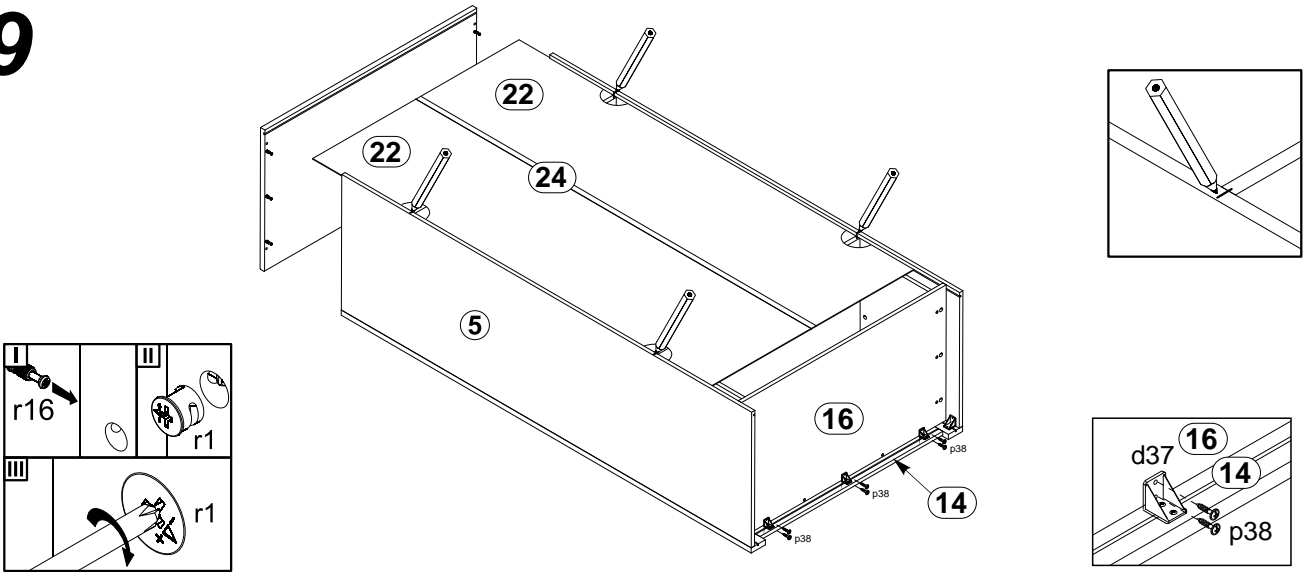
7



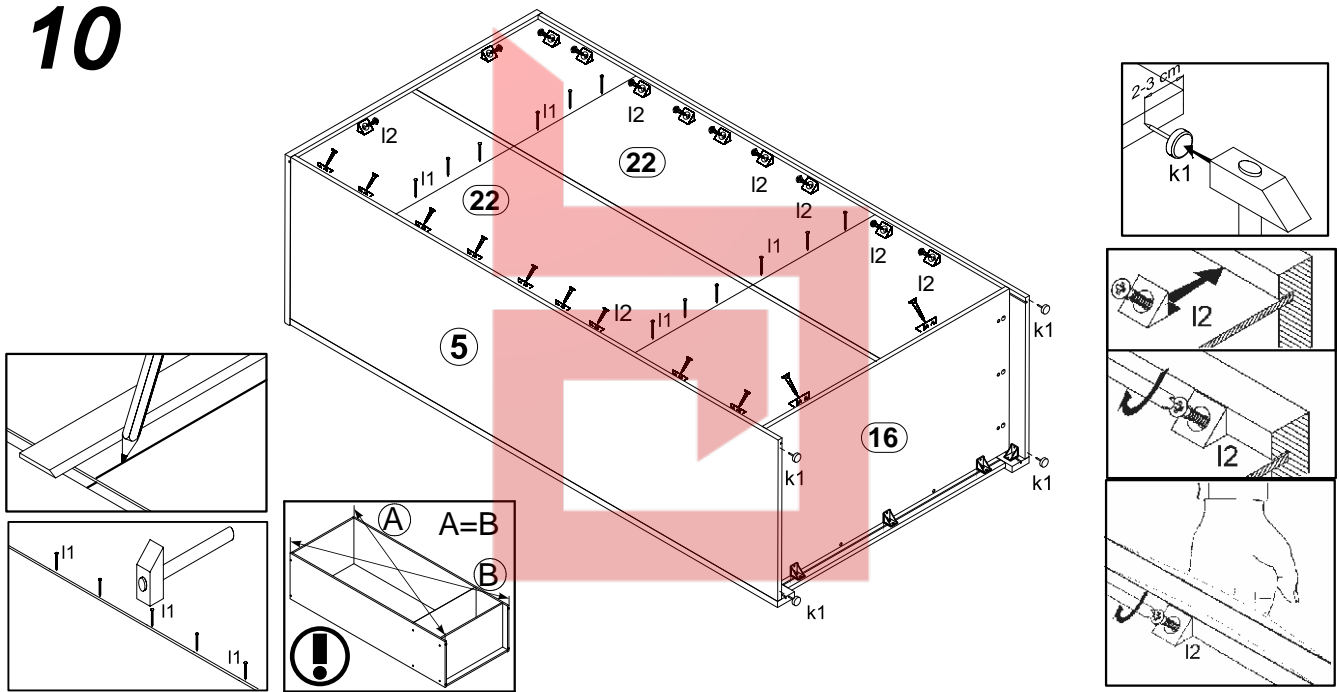
8



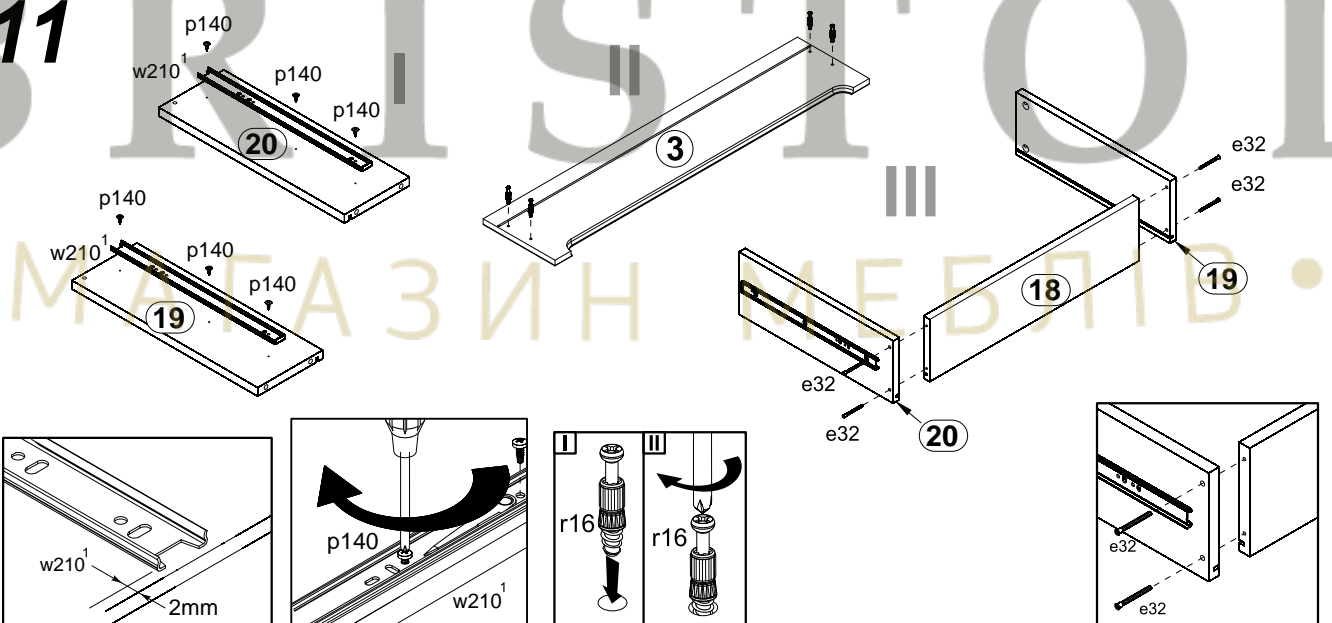
9



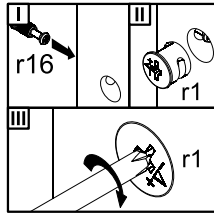
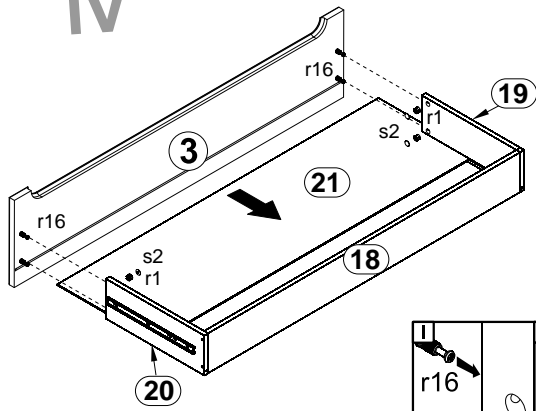
10



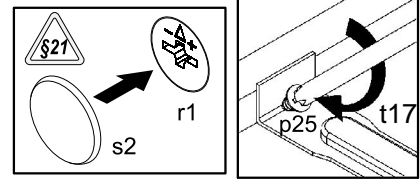
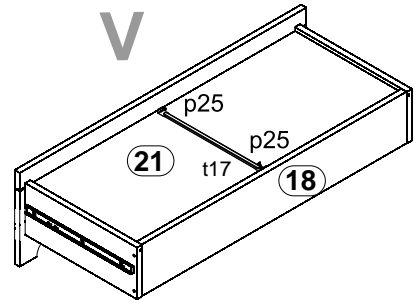
11



IV



V



12

