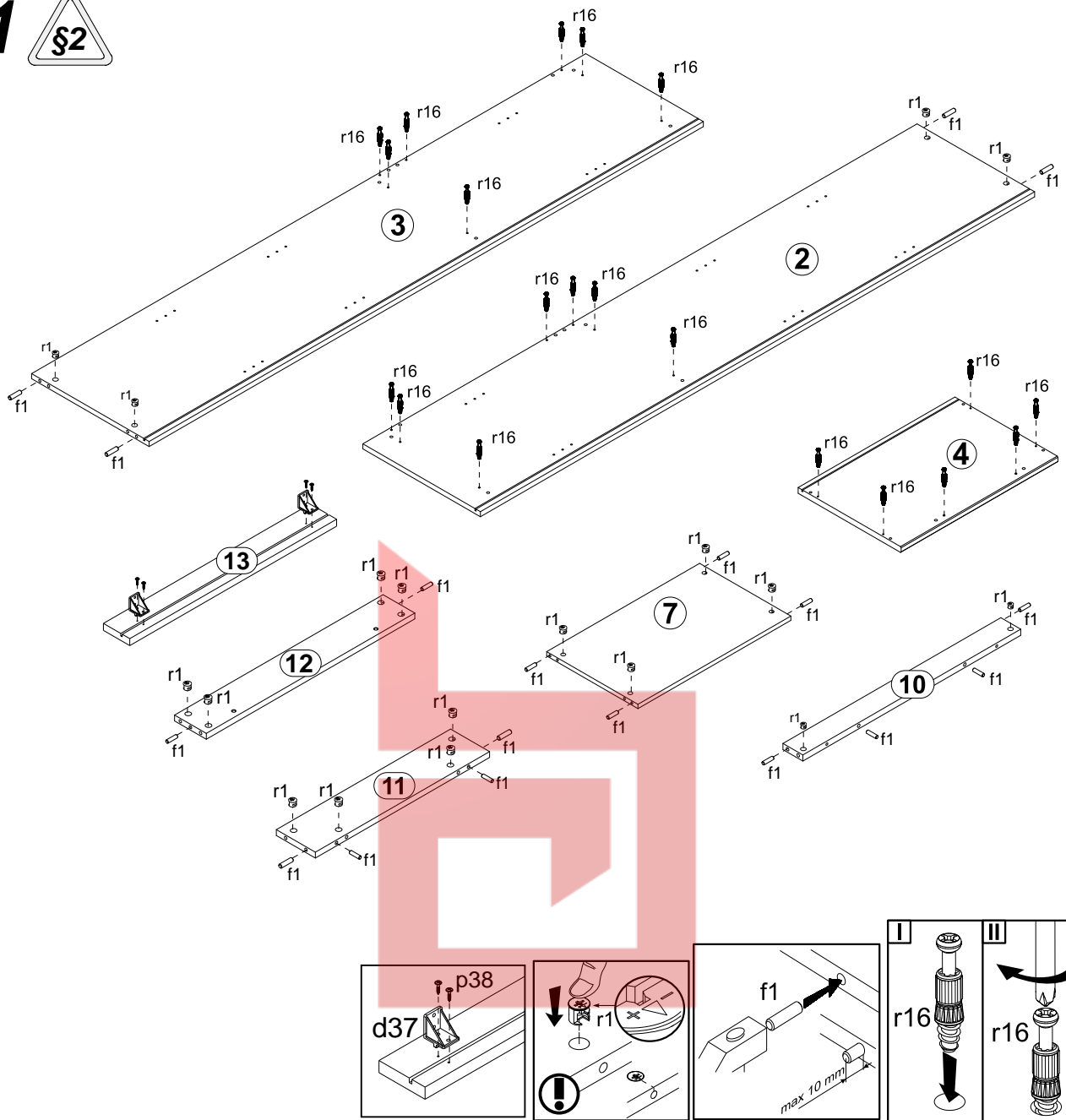


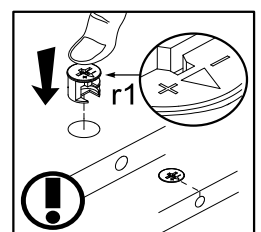
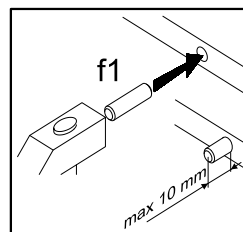
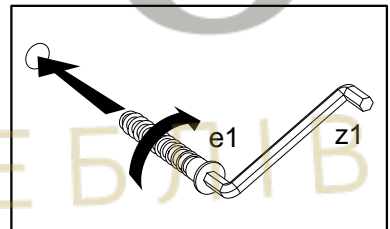
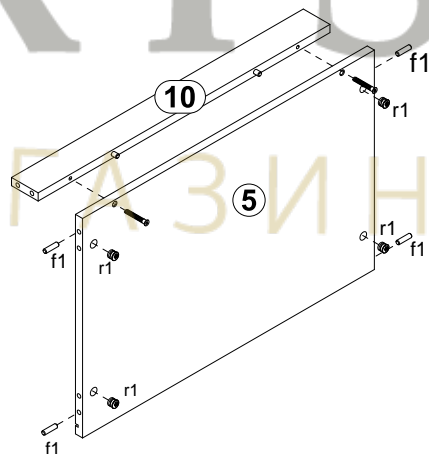
A	B	C		D
1	S404-0010	544	544	3/3
2	S404-1023	2018	428	1/3
3	S404-1024	2018	428	1/3
4	S404-2013	691	454	2/3
5	S404-3010	657	428	2/3
6	S404-3012	657	408	2/3
7	S404-3026	657	408	2/3
8	S404-5035	2018	70	1/3
9	S404-5036	2018	70	1/3
10	S404-4008	657	60	2/3
11	S404-4009	549	123	2/3
12	S404-4034	657	100	2/3
13	S404-5016	549	70	2/3
14	S404-5017	549	70	2/3
15	S404-9306	1946	333	1/3
16	LH-1934	1934	14	1/3

2x a132	1x a133	2x b43	12x φ5x17 mm d1	12x d37	2x φ7x50 mm e1	4x φ6,3x13 mm e2
2x ø35 s71	2x e22	22x φ8x30 mm f1	2x φ8x20 mm f13	4x k1	10x l1	14x l2
1x n26/l1	49x φ3,5x16 mm p38	4x φ3,5x15 mm p51	22x φ15x12mm #16 r1	22x 20/9 r16	4x φ16 s2	24x ø5 s4
1x z1						 1x

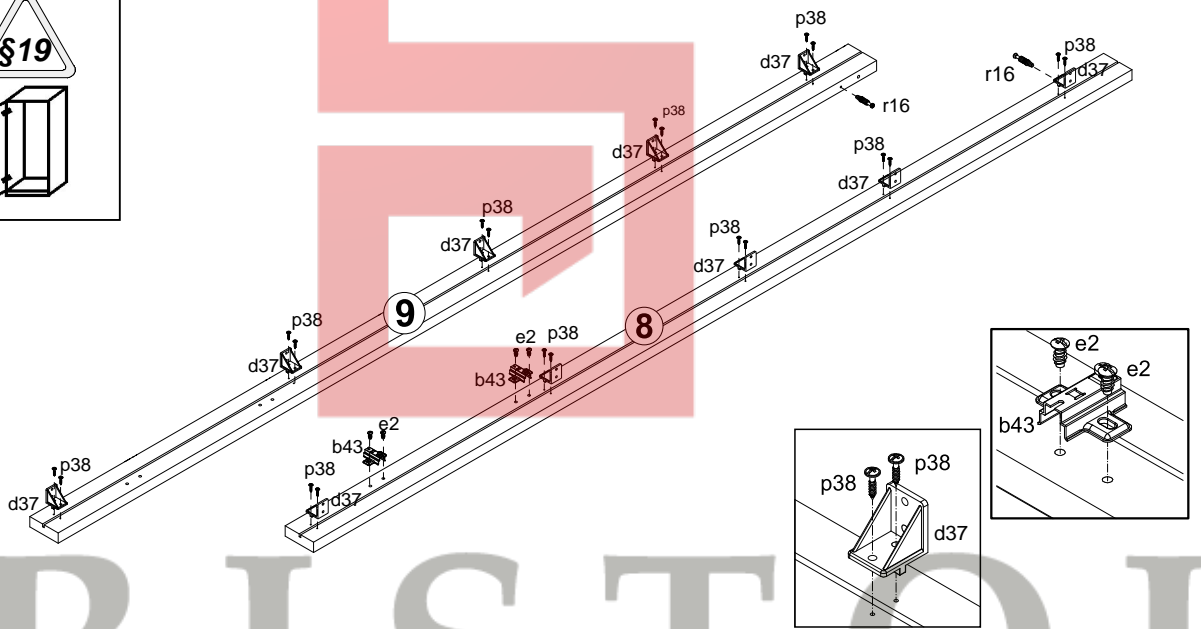
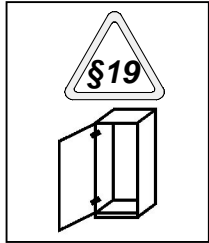
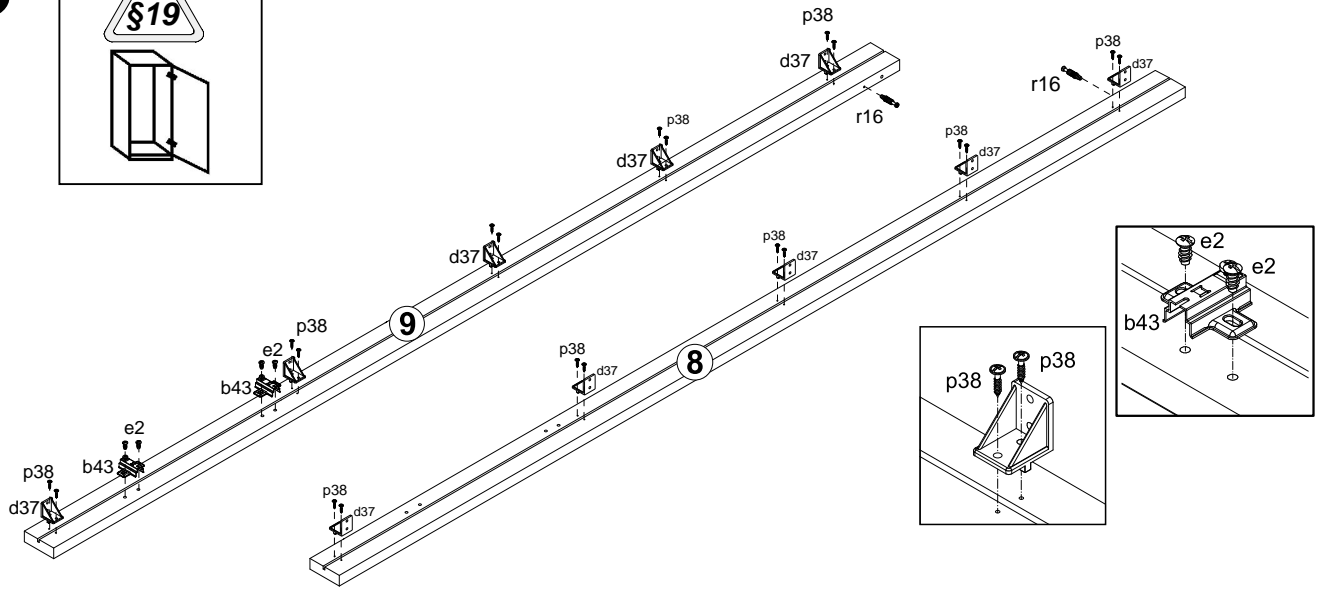
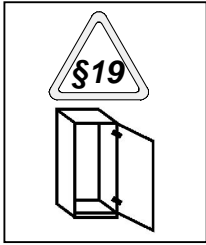
1 §2



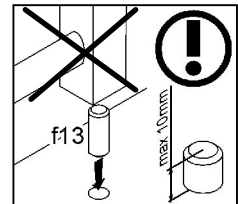
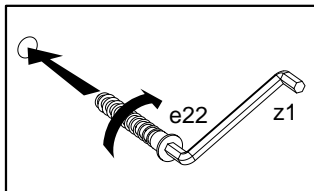
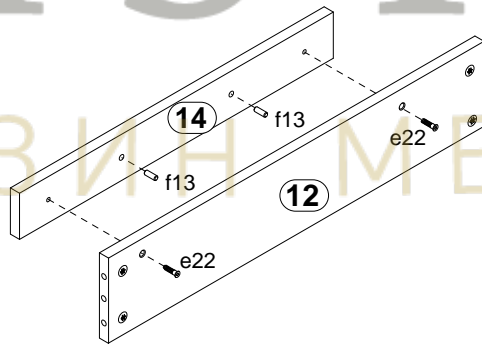
2 §6



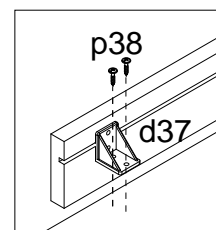
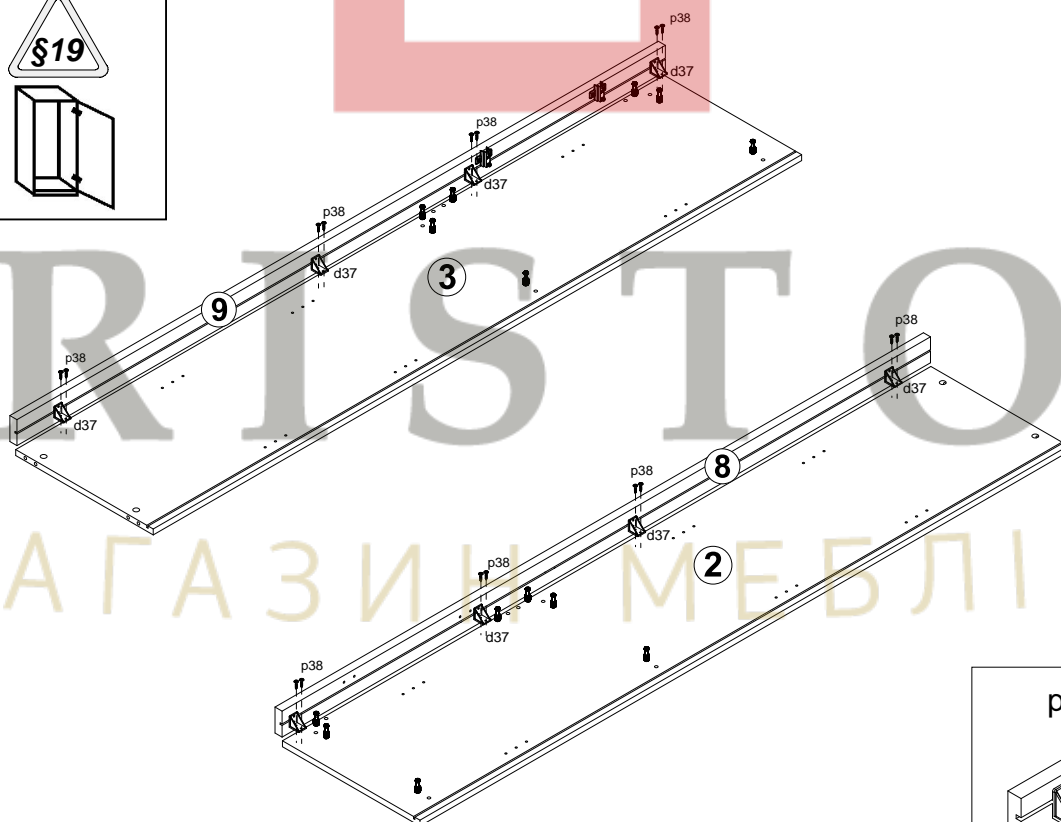
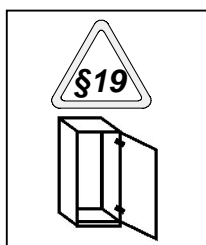
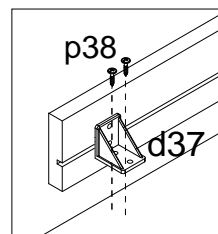
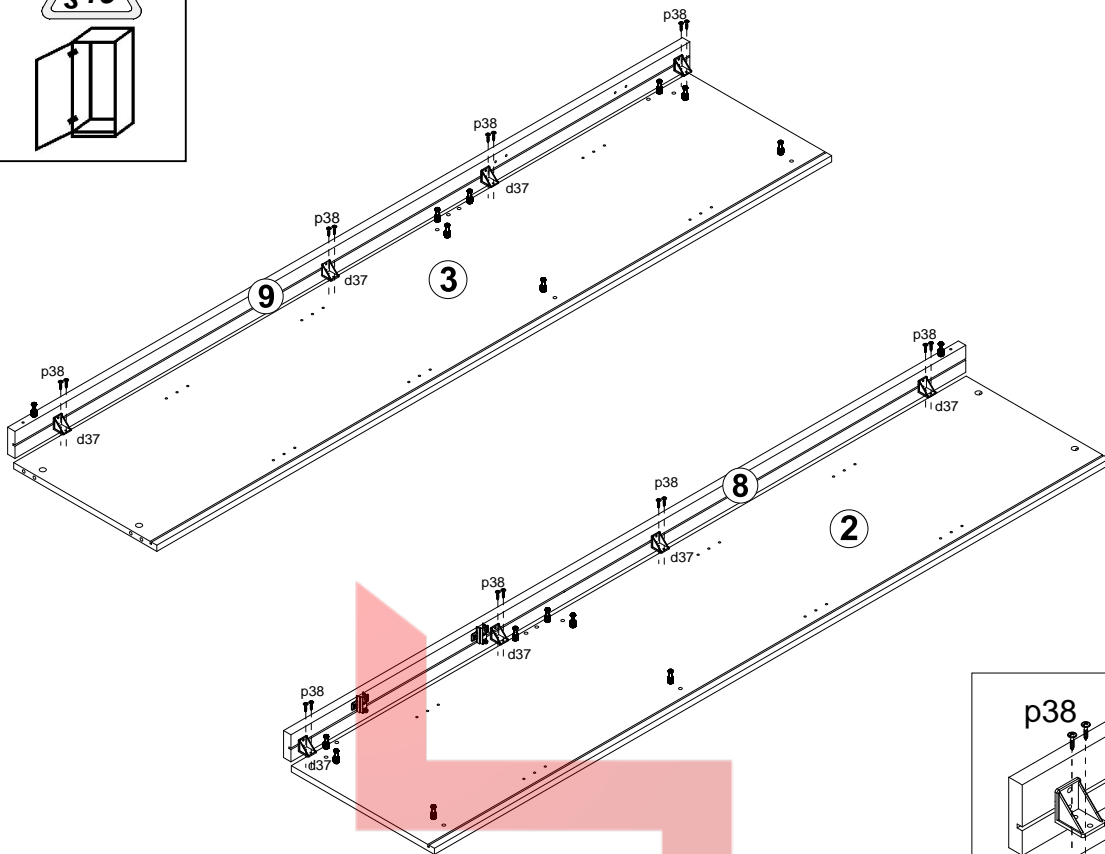
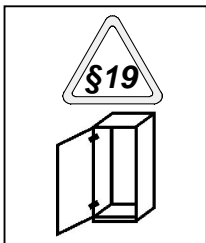
3



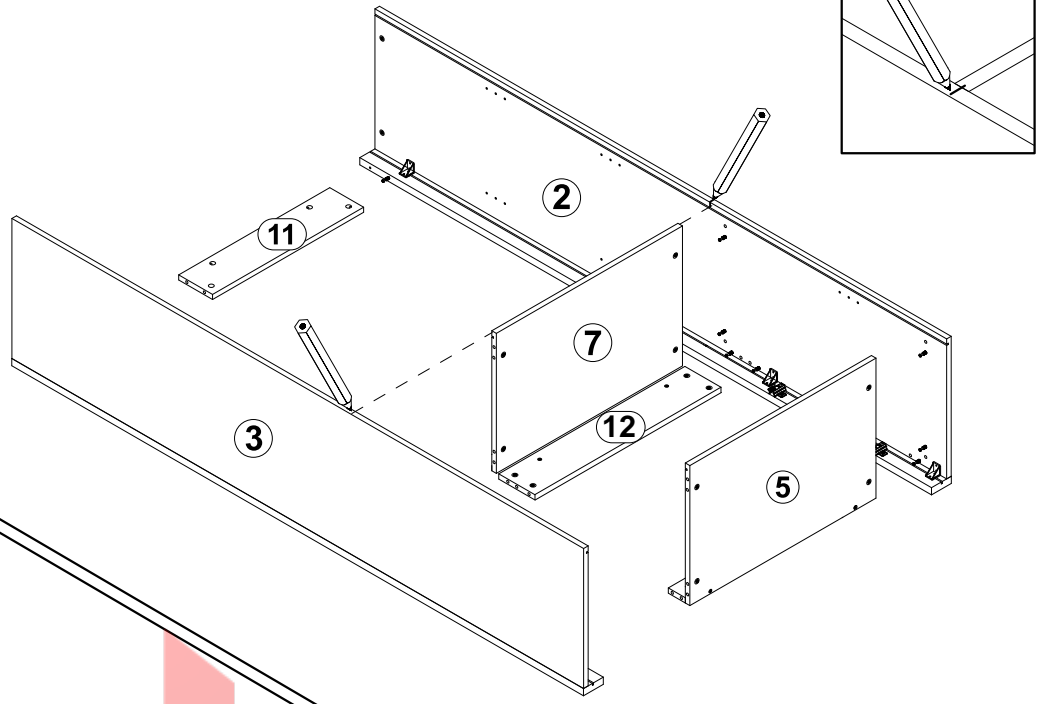
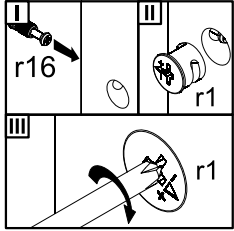
4



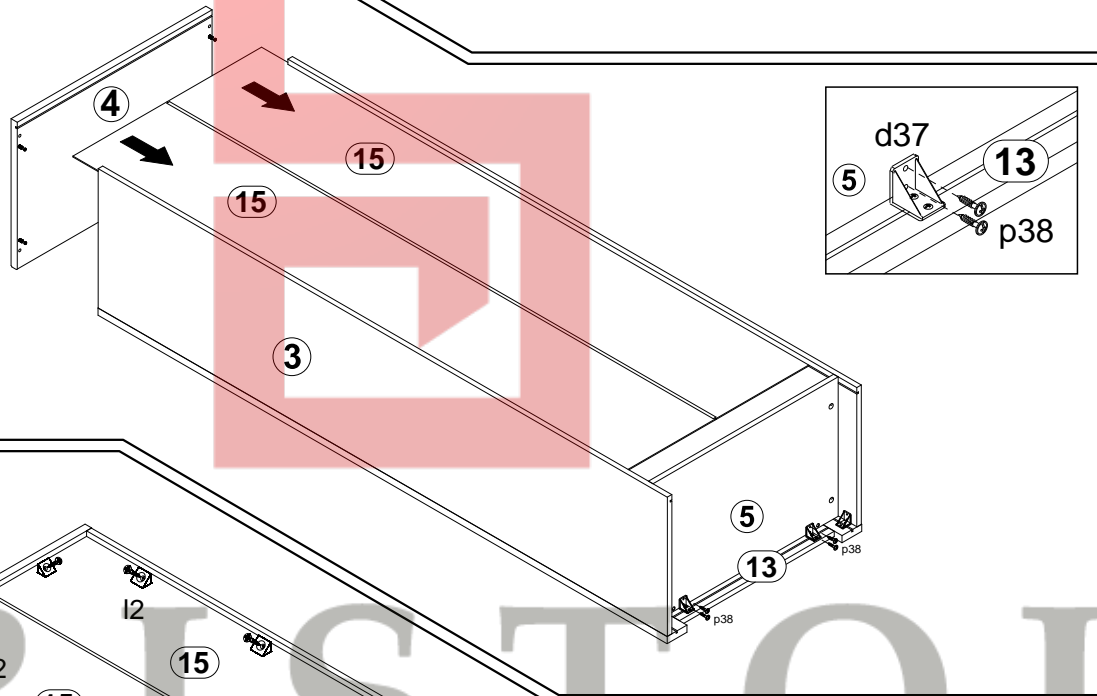
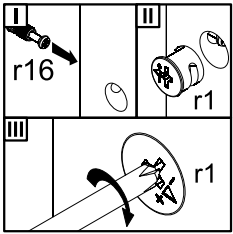
5



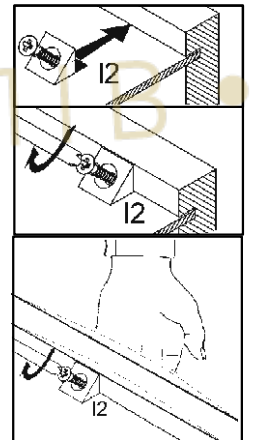
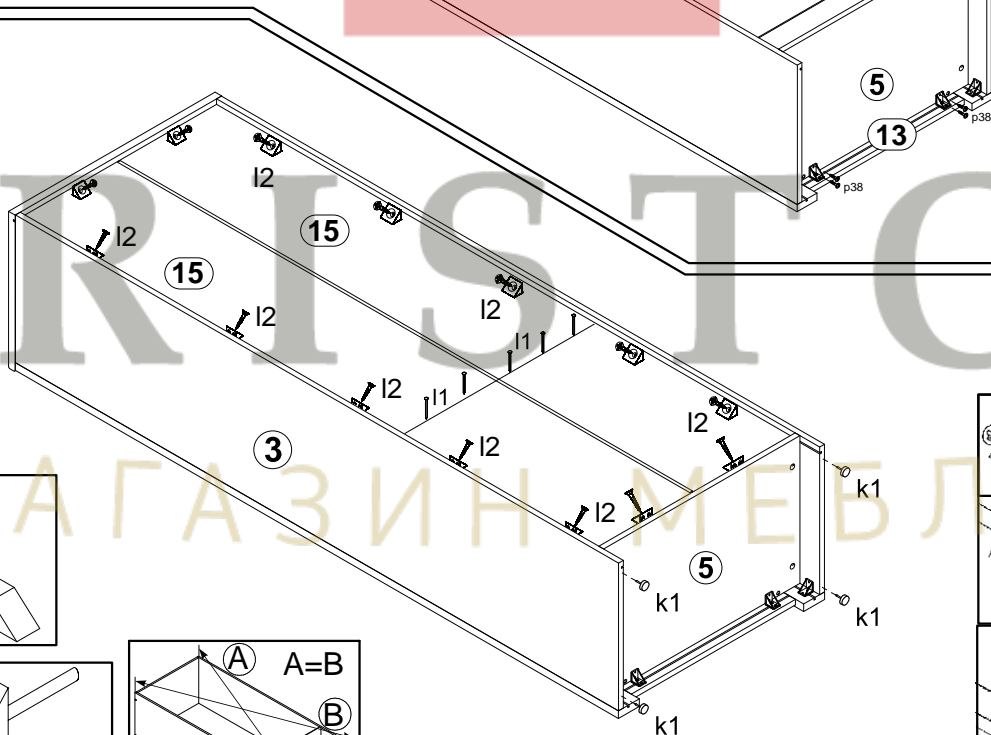
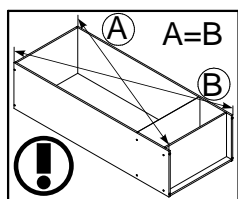
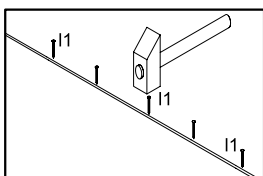
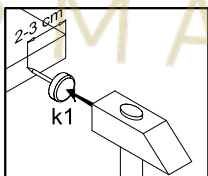
6



7



8



9

