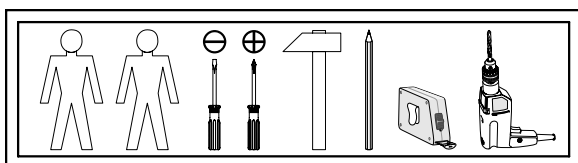
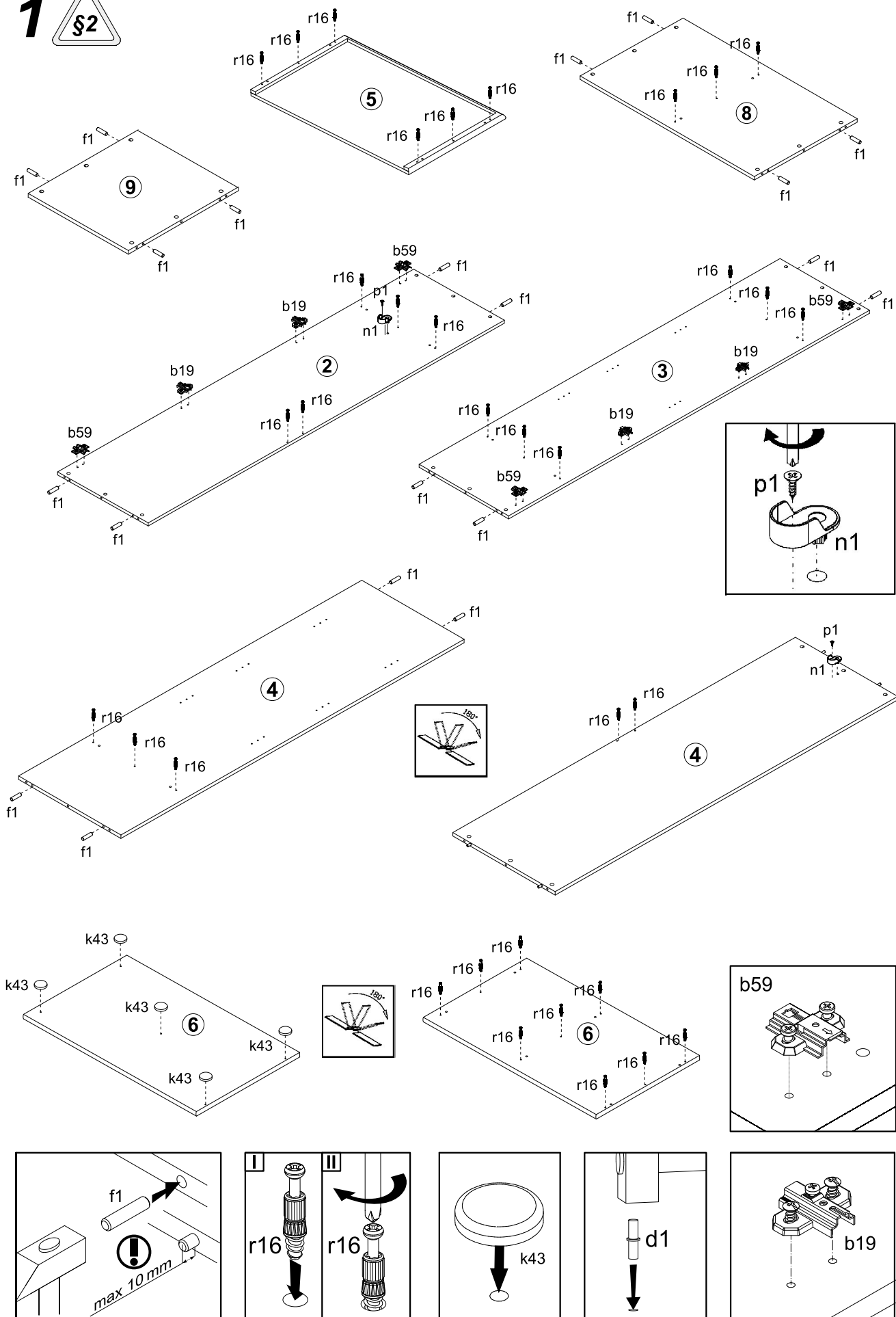


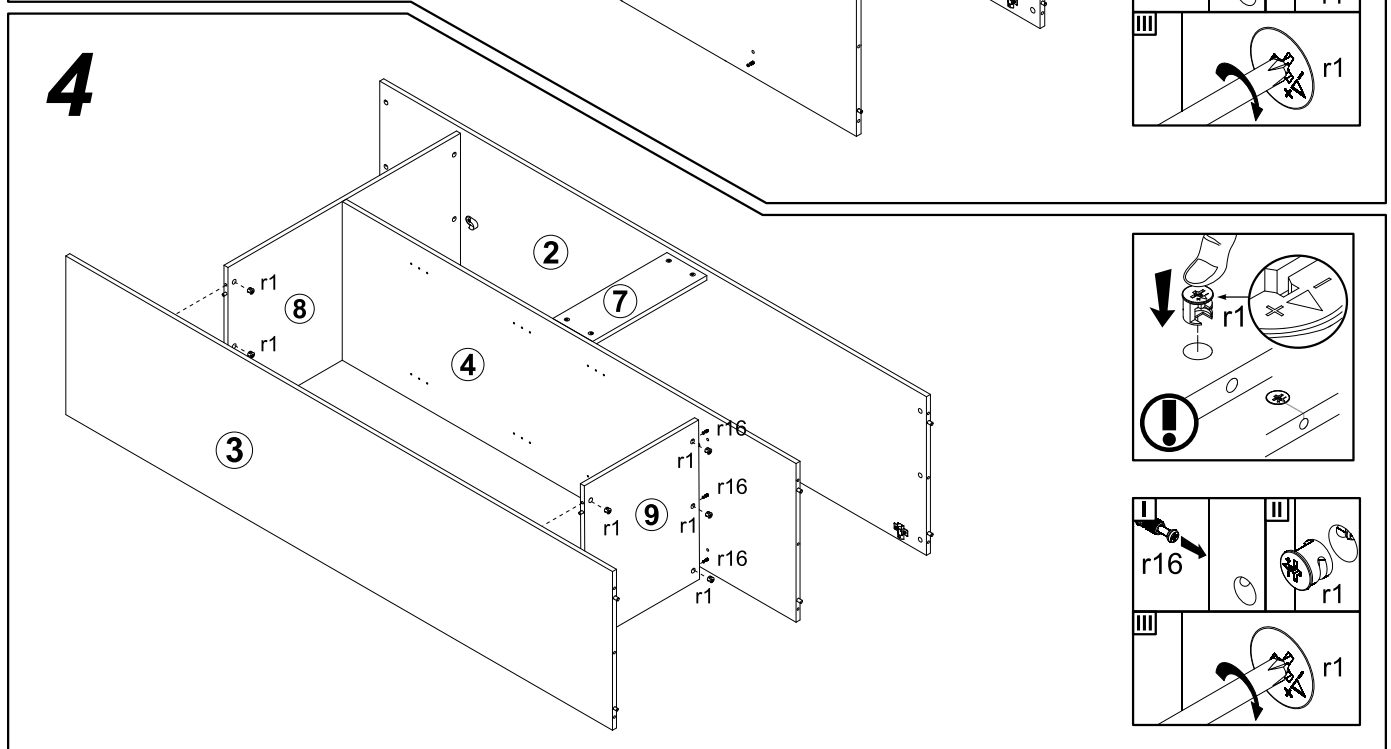
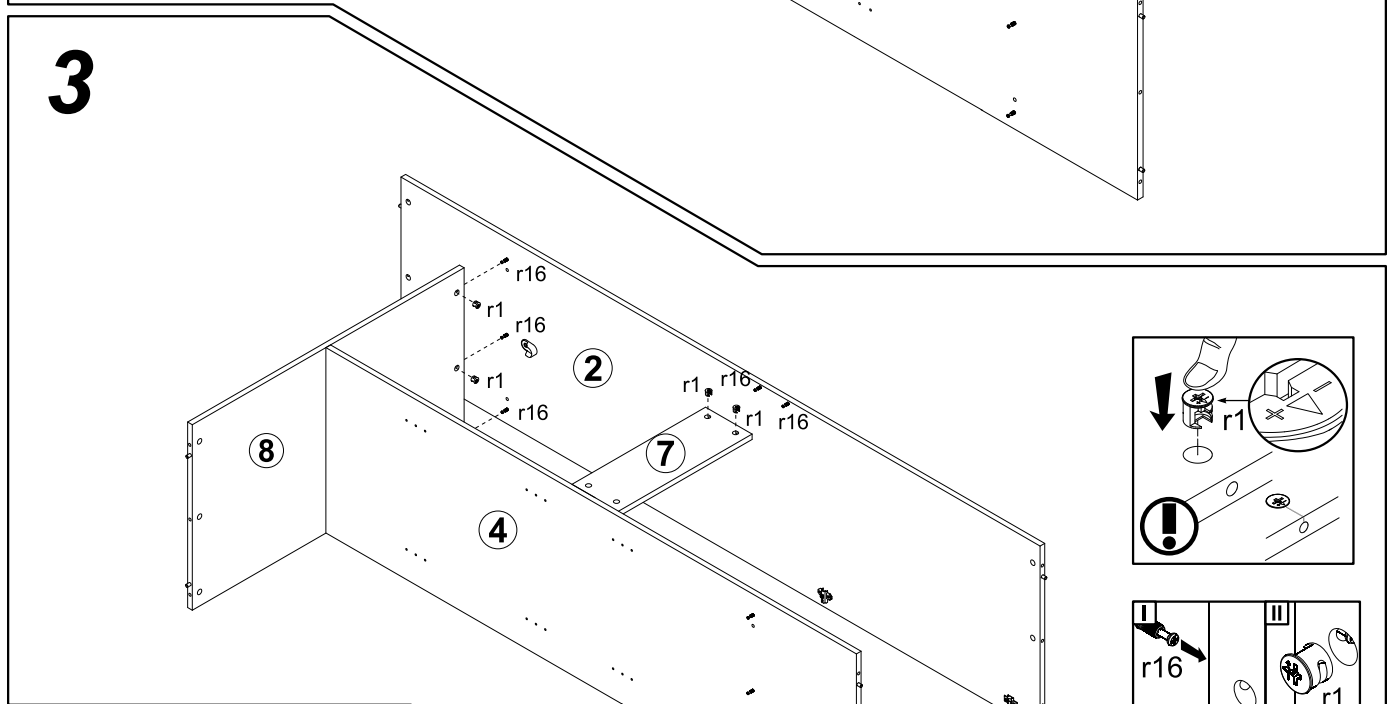
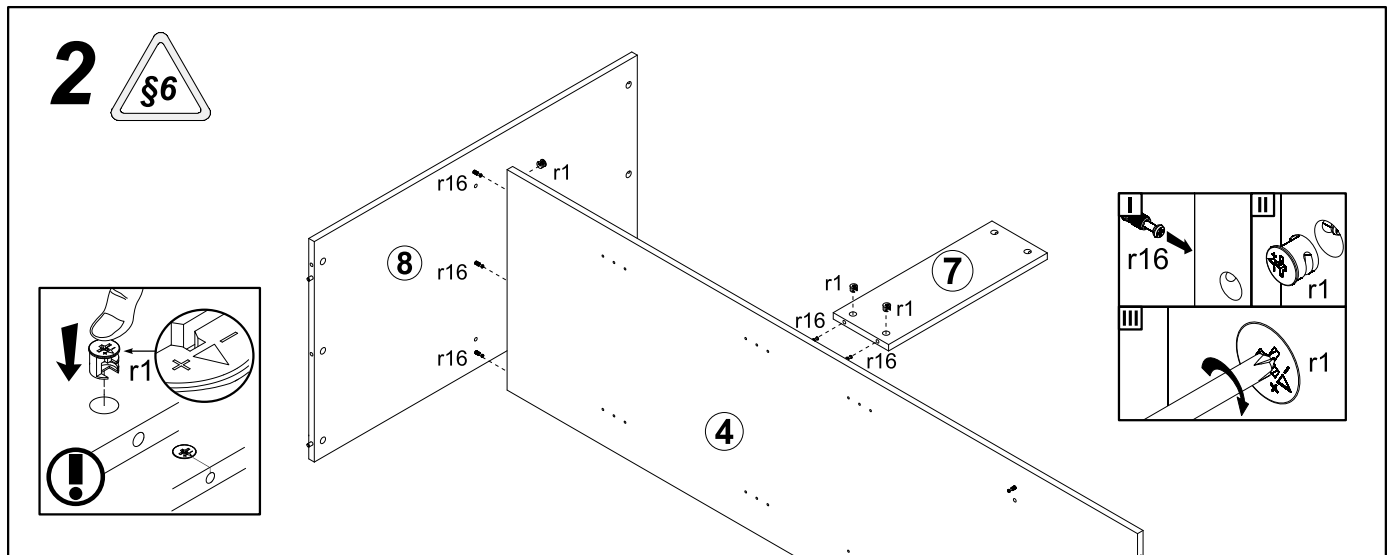
A	B	C	D	
1	S239-0003	2190	480	3/3
2	S239-1003	2196	552	1/3
3	S239-1017	2196	552	1/3
4	S239-1018	1823	552	1/3
5	S239-2013	968	595	2/3
6	S239-2015	968	581	2/3
7	S239-4003	459	160	1/3
8	S239-3007	934	552	2/3
9	S239-3006	459	552	2/3
10	S239-3008	459	522	2/3
11	S239-9004	2245	480	1/3
12	LH-372	372	14	2/3
13	DR-454	454		2/3



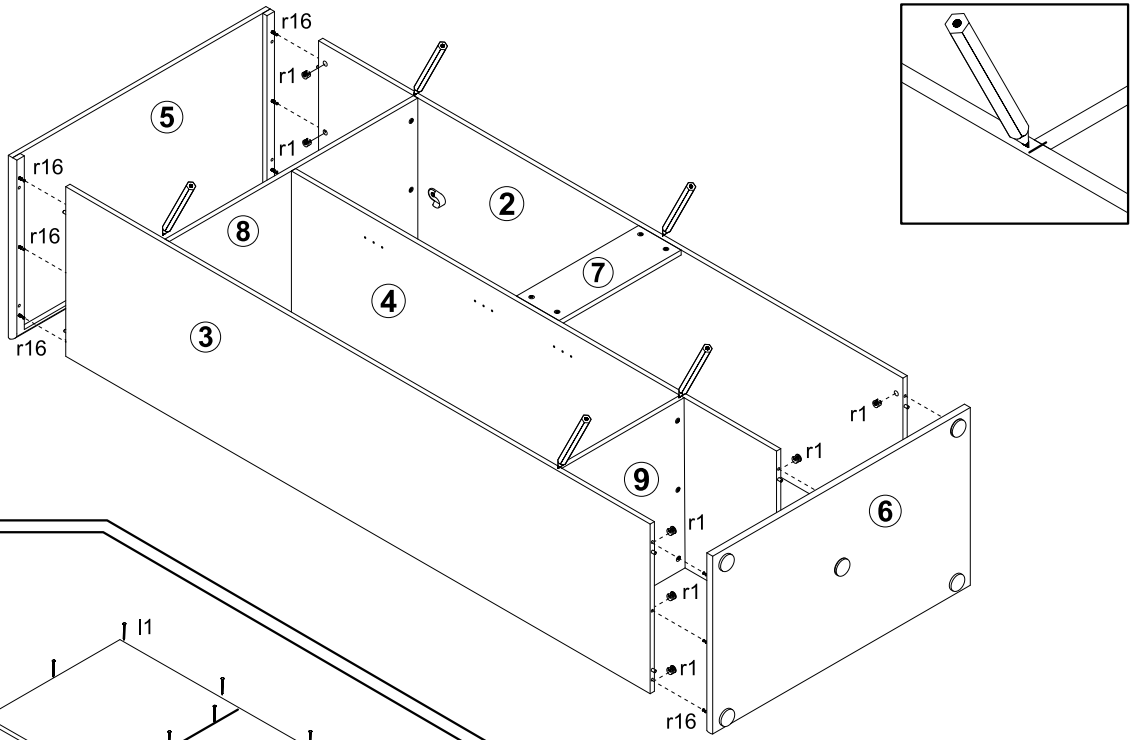
4x KO a44	4x a102	4x b19	4x D2 b59	2x c415	12x φ5x17 mm d1
20x φ8x30 mm f1	2x M4x28 mm j11	5x φ48\10mm k43	95x l1	2x n1	1x n26\1
2x φ3,5x13 mm p1	4x φ3,5x16 mm p38	16x φ3 5x15 mm p51	34x φ15x12mm #16 r1	34x 20/9 r16	24x φ16 s2
24x φ5 s4					

1 

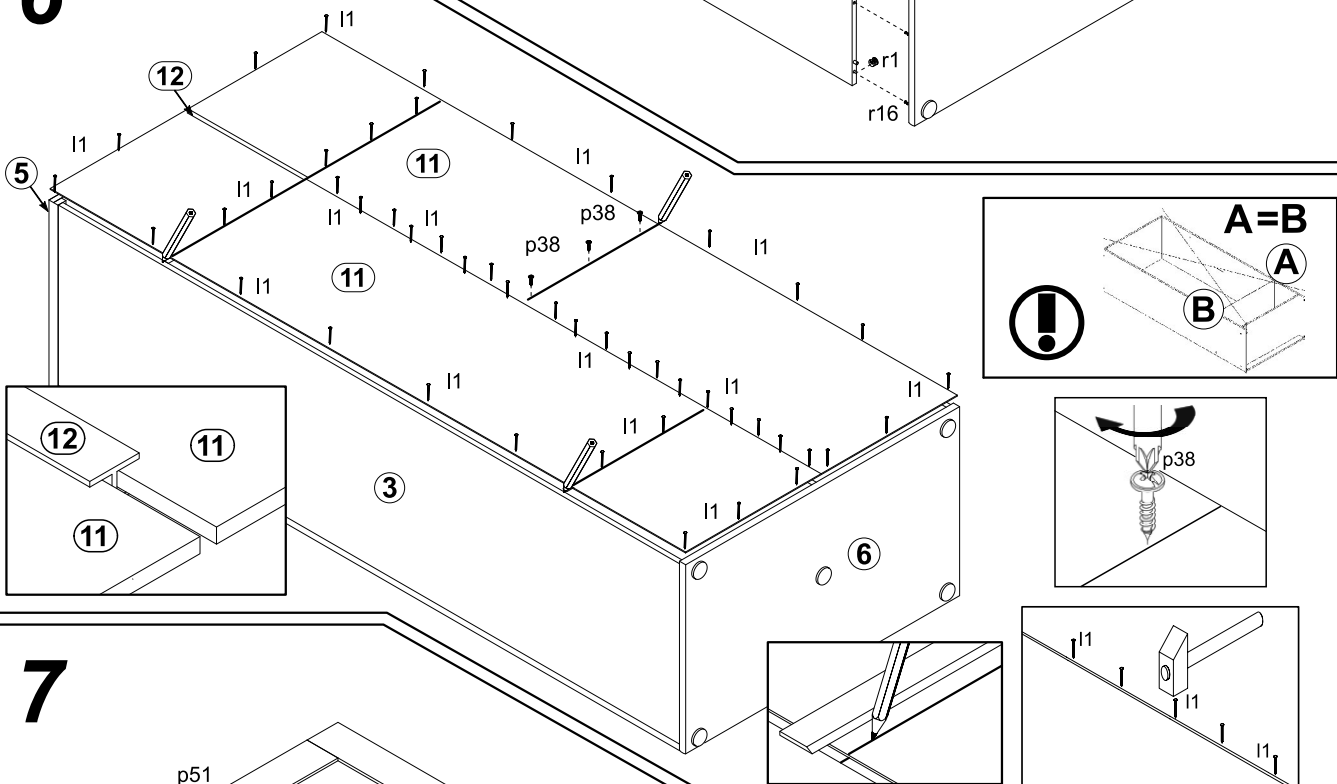




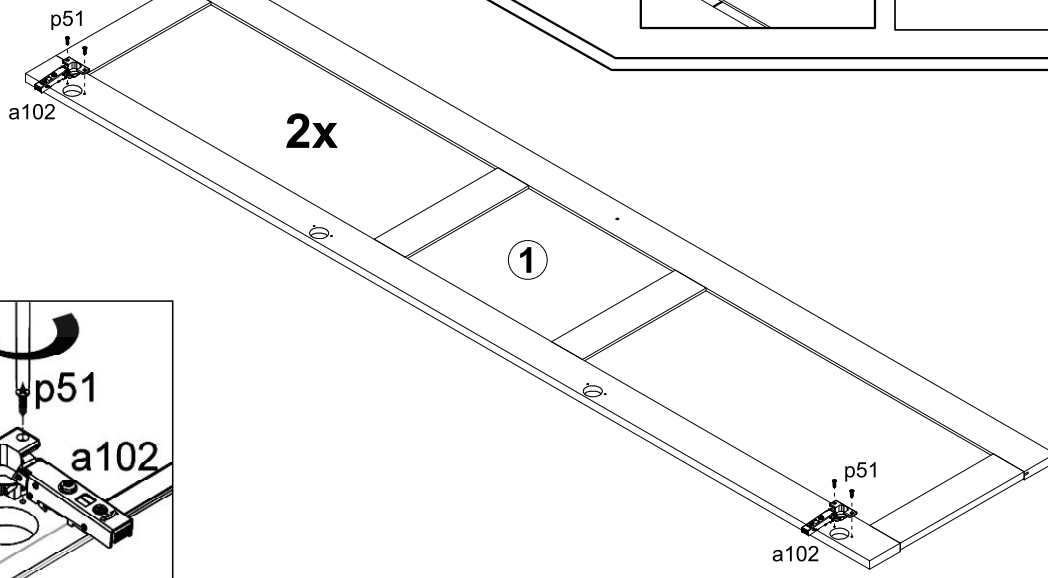
5



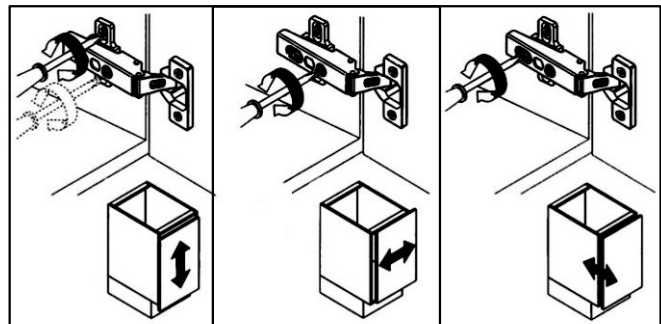
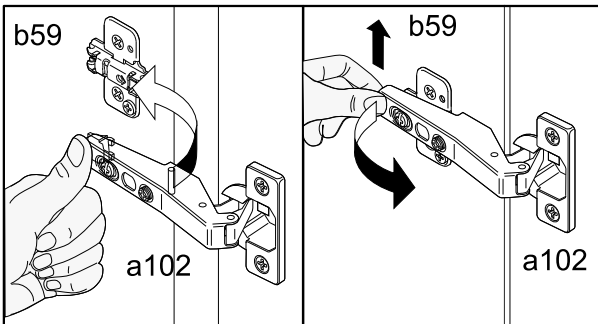
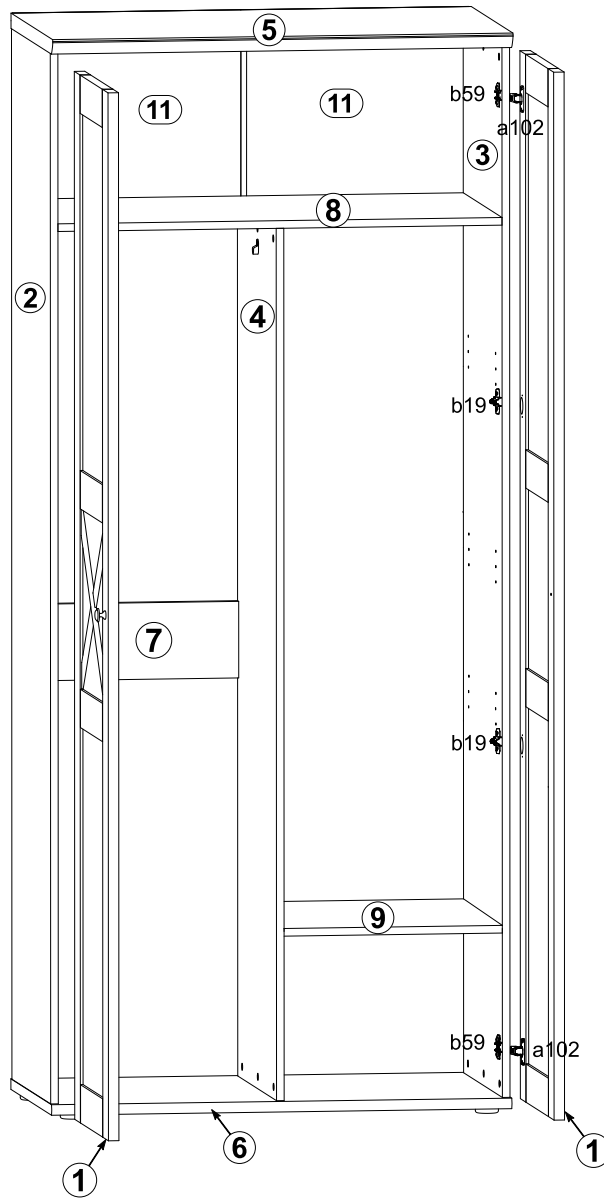
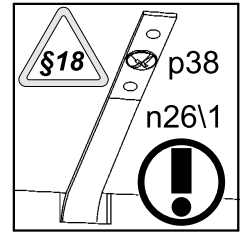
6



7



8



9

