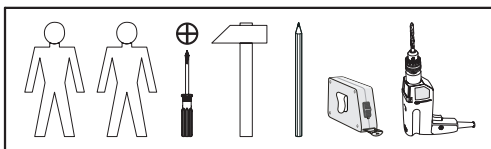
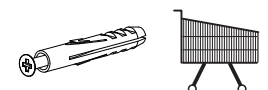


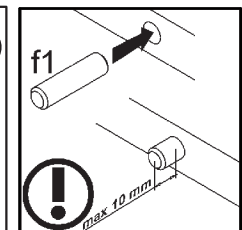
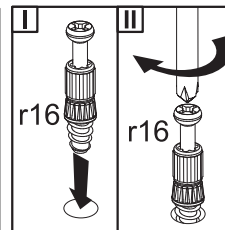
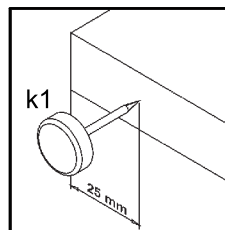
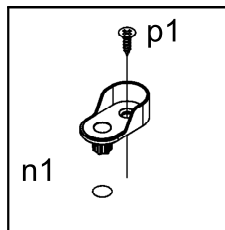
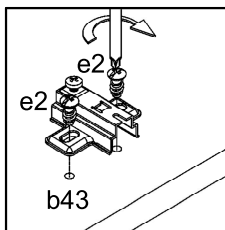
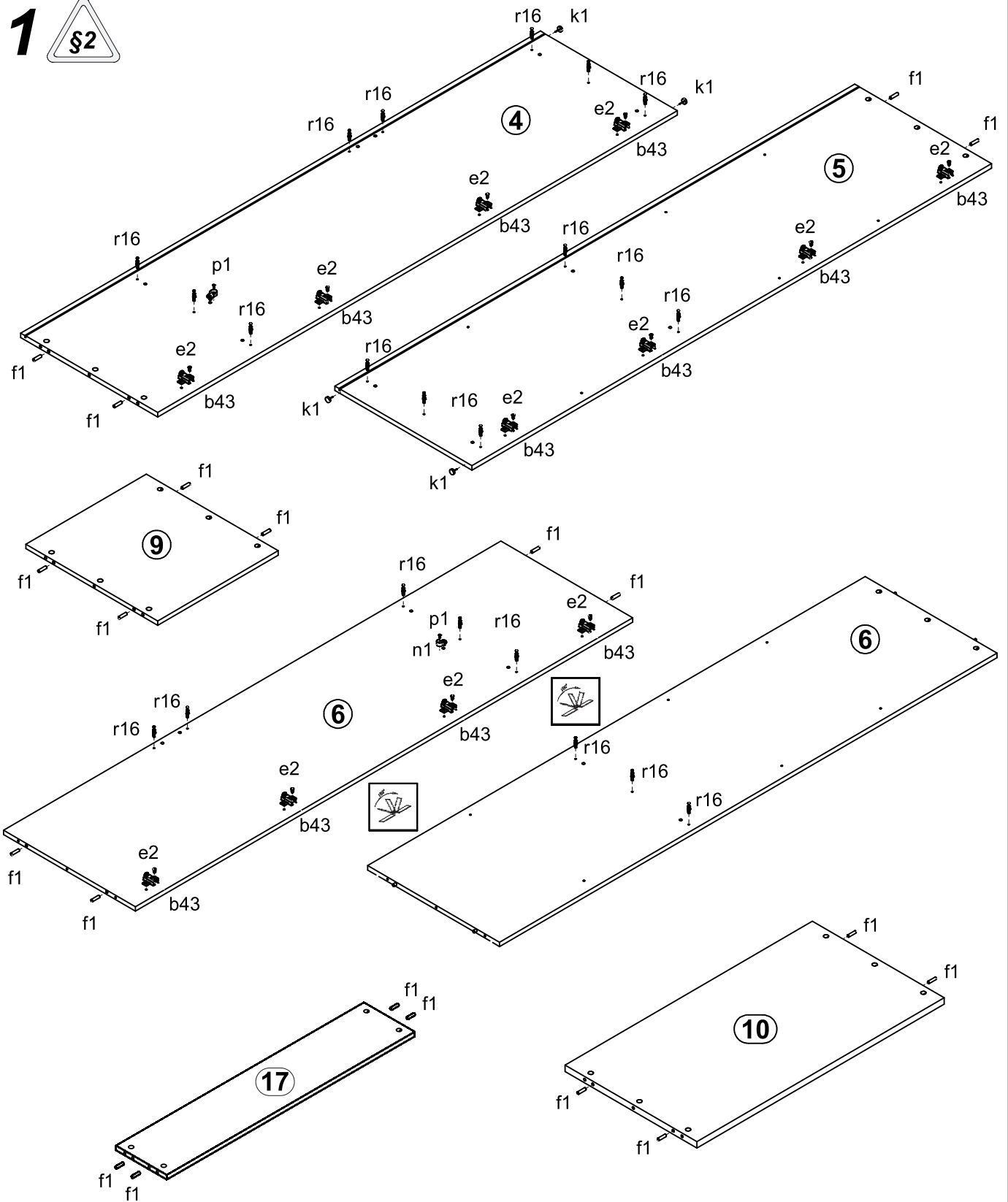
A	B	C	D	
1	S405-027	2047	551	4/4
2	S405-028	2047	551	4/4
3	S405-003	2047	551	4/4
4	S405-137	2178	540	1/4
5	S405-102	2178	540	1/4
6	S405-103	2090	520	2/4
7	S405-201	1694	590	3/4
8	S405-301	1632	520	2/4
9	S405-303	530	520	2/4
10	S405-302	1086	520	3/4
11	S405-304	530	510	2/4
12	S405-418	1666	80	3/4
13	S405-558	1666	44	3/4
14	S405-901	2111	554	1/4
15	S405-927	2111	545	1/4
16	S405-928	2111	545	1/4
17	S405-401	1086	200	3/4
18	DR-1081	1081		3/4
19	LH-2089	2089	14	1/4

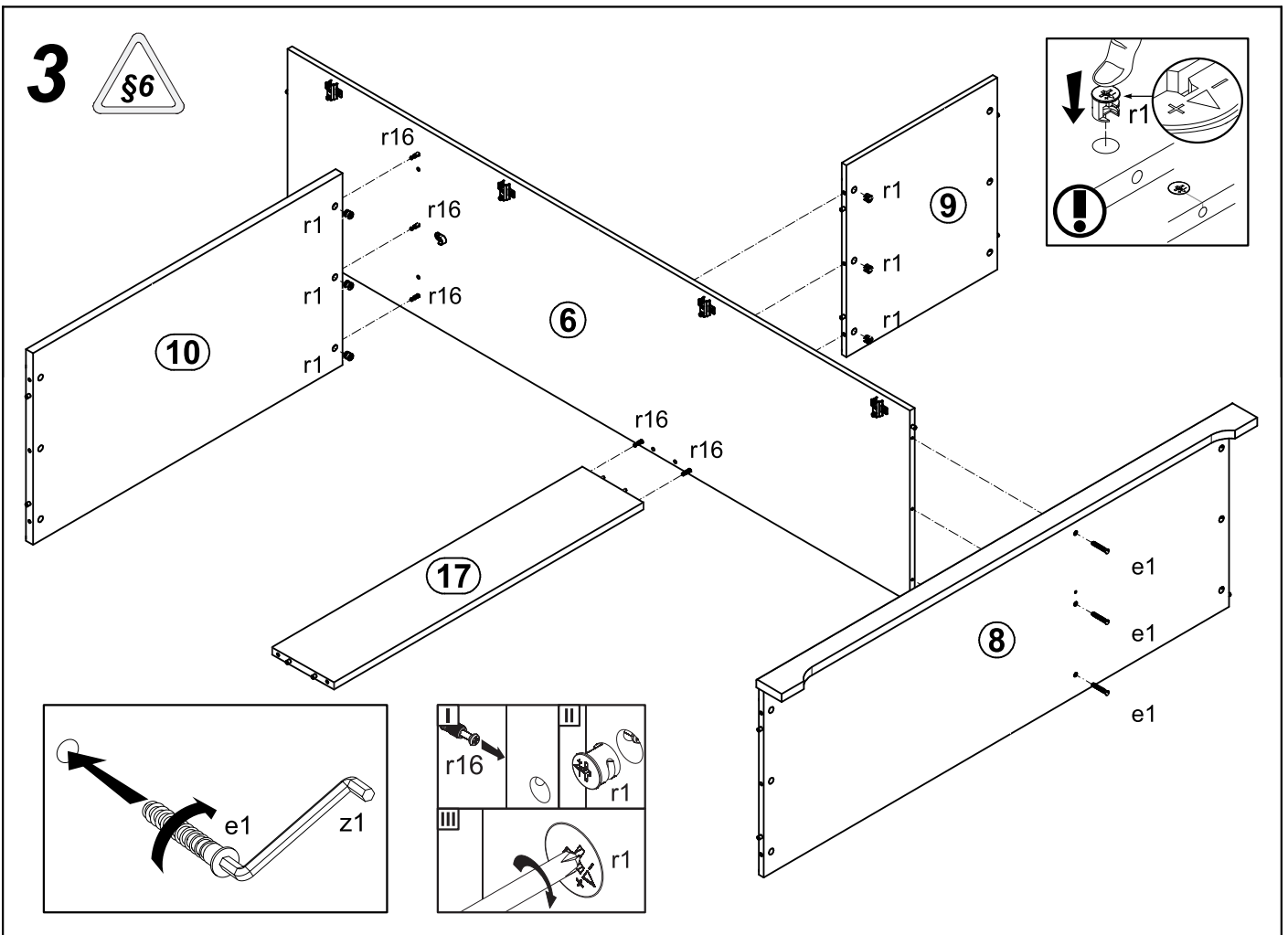
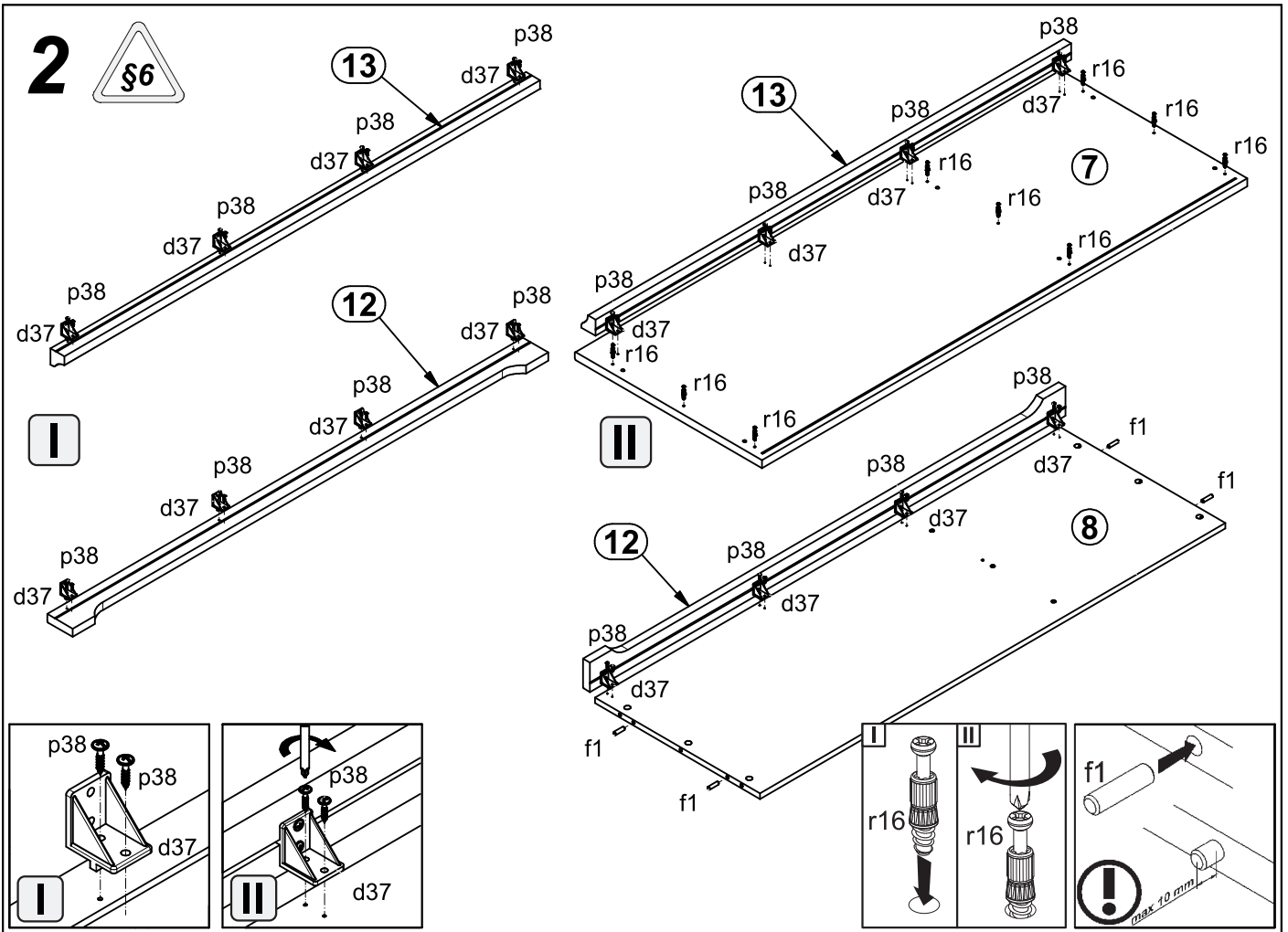


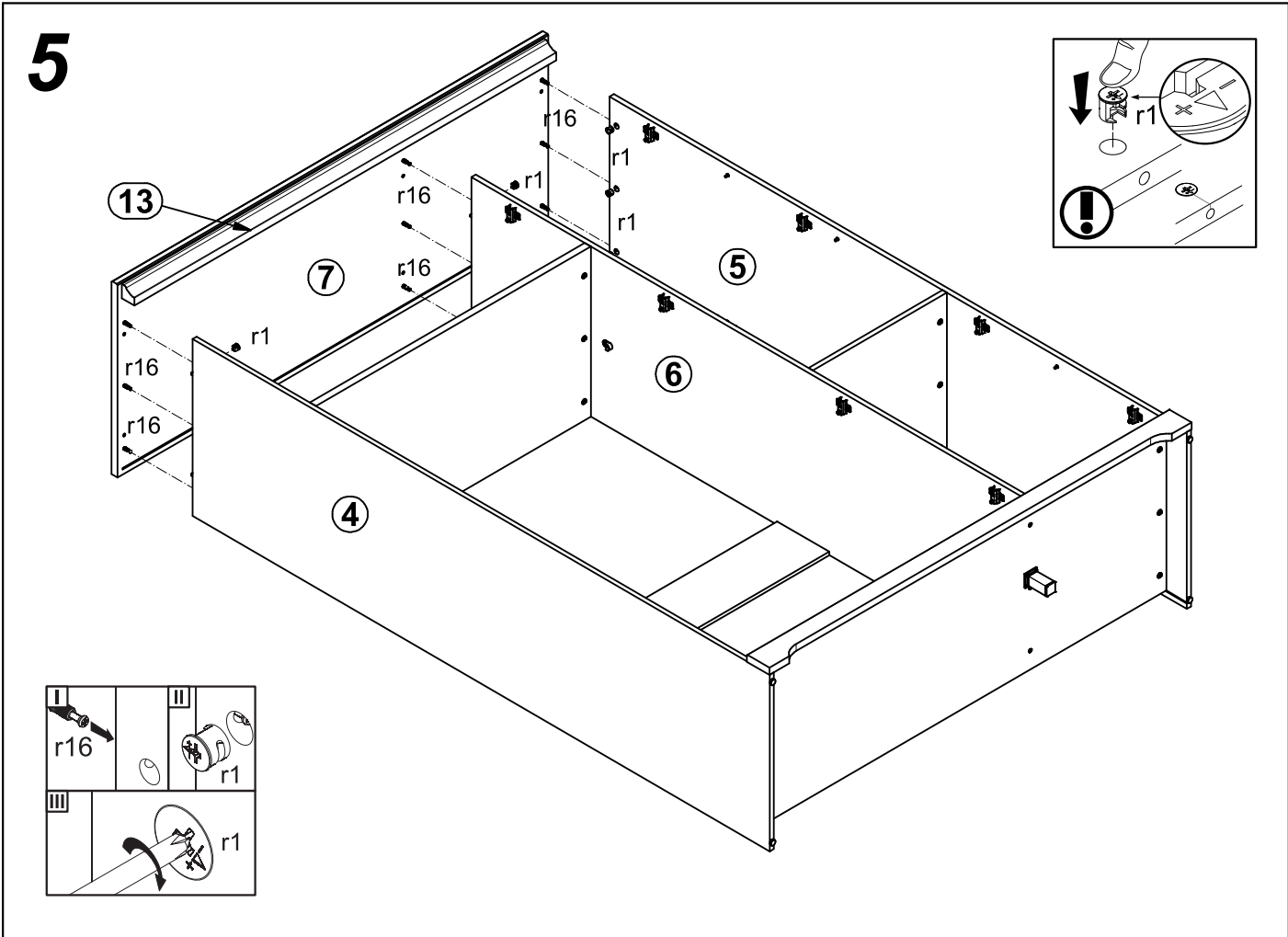
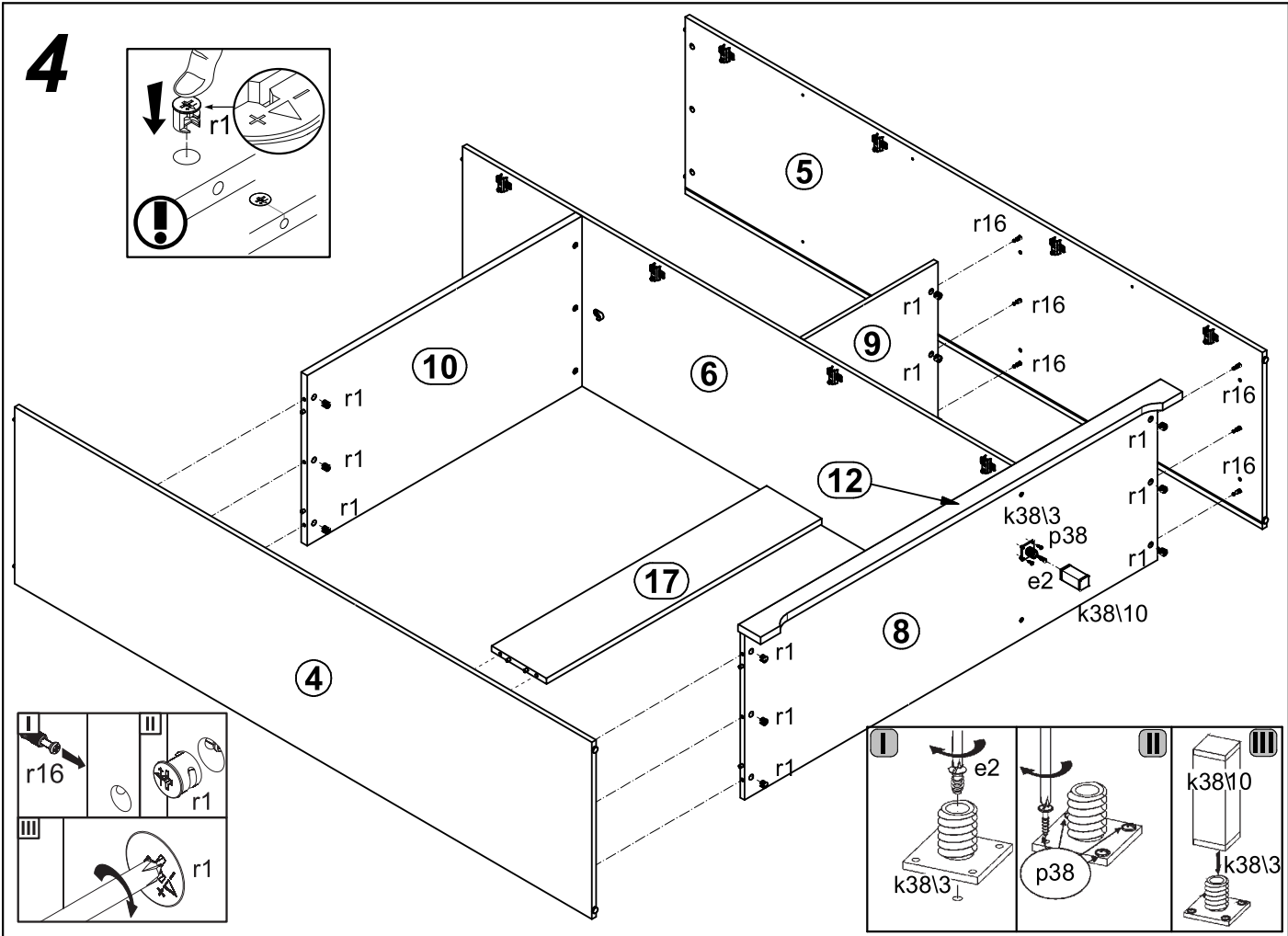
6x a133	8x a158	4x a159	12x b43	3x c4771	3x c4772	12x d1
8x d37	3x e1	25x e2	24x f1	3x j11	4x k1	1x k3810
1x k3813	30x l1	18x l2	8x n108	2x n1	1x n261	2x p1
41x p38	24x p51	8x p55	31x r1	31x r16	15x s2	1x z1



1

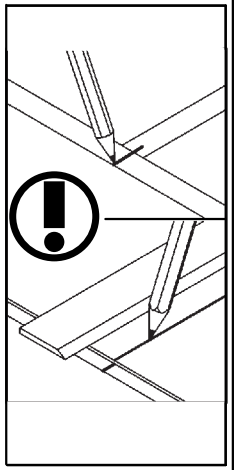
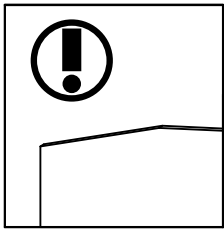
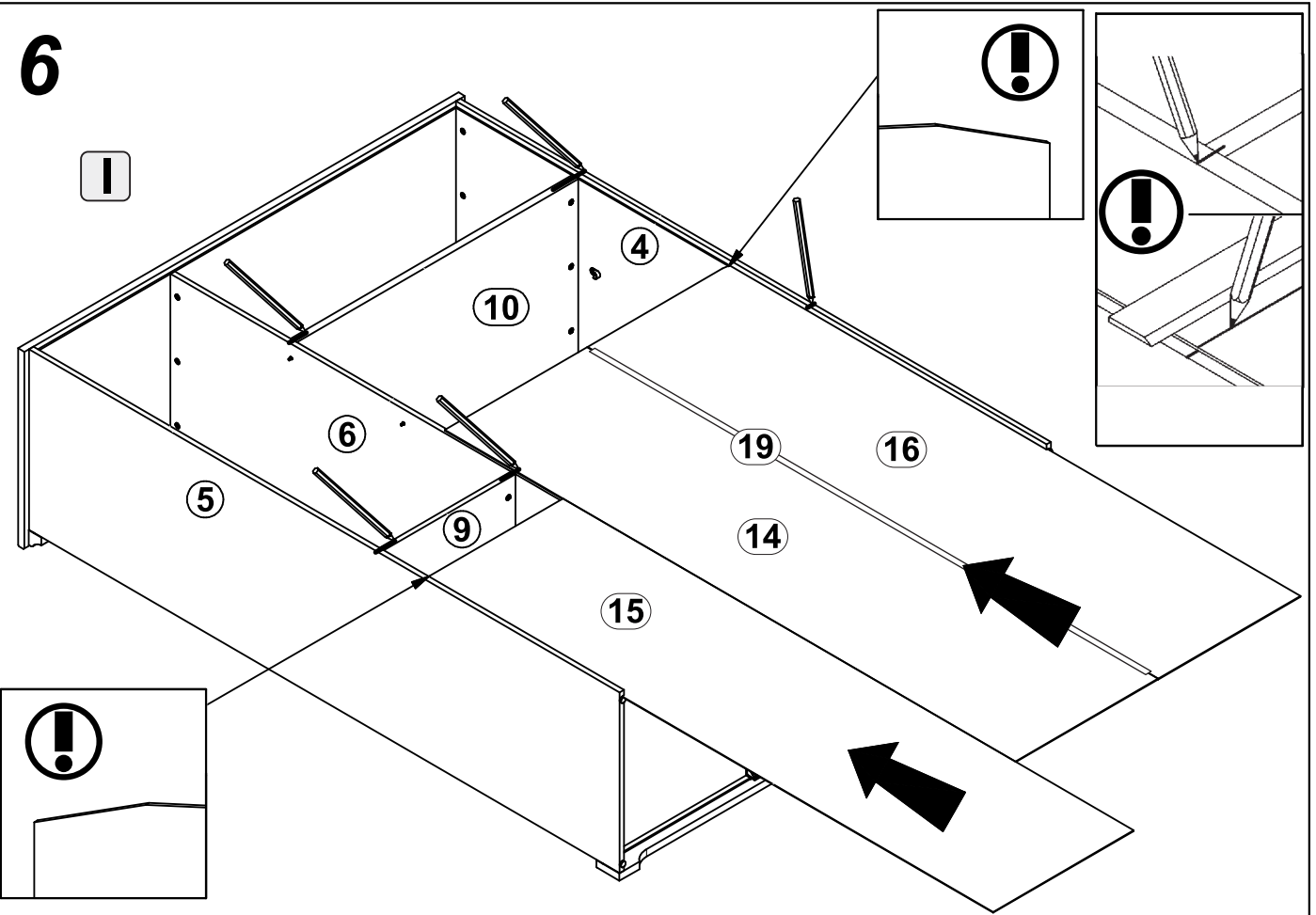




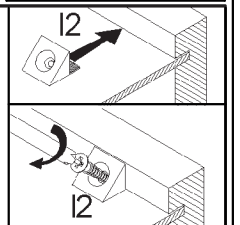
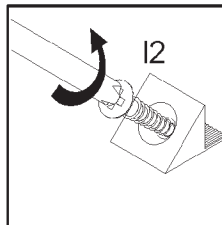
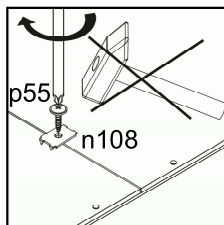
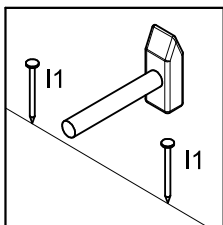
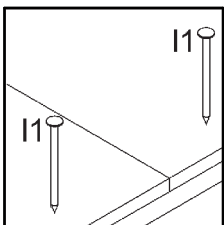
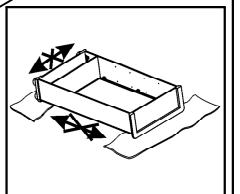
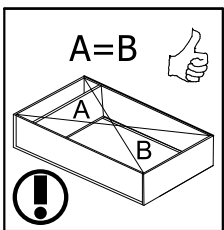
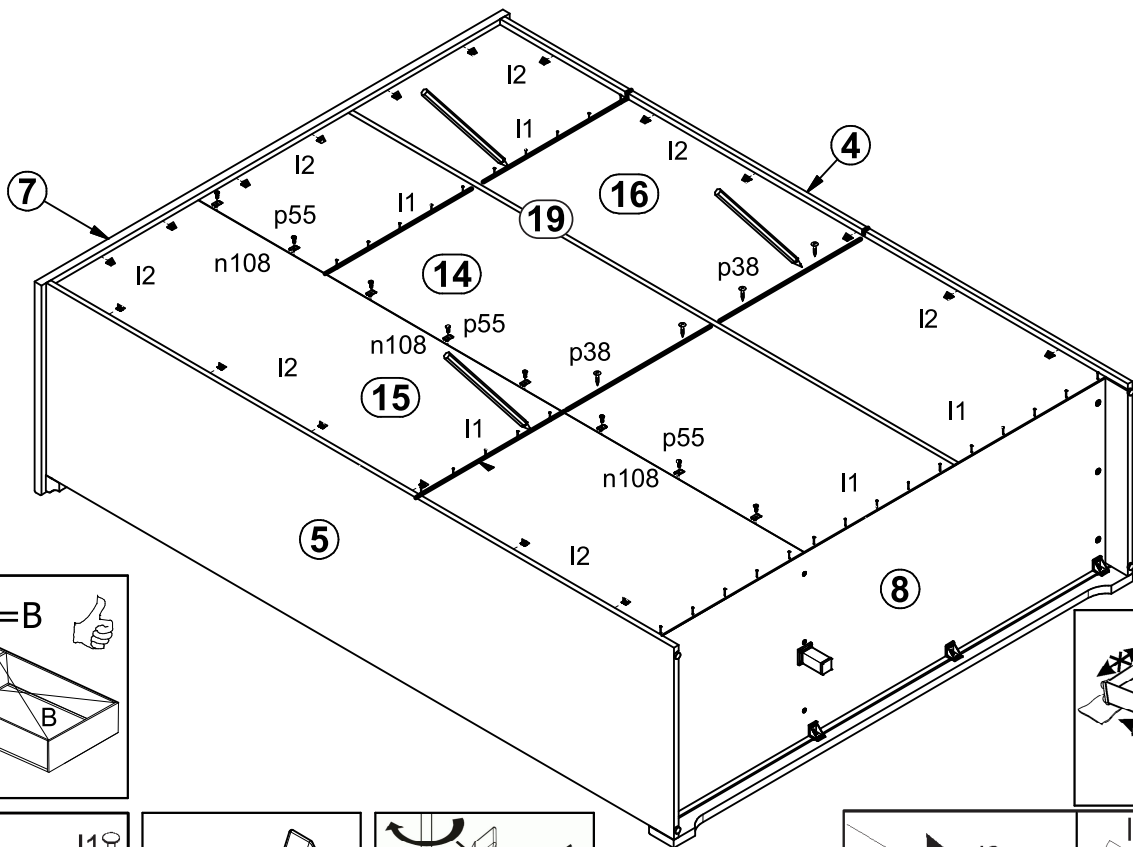


6

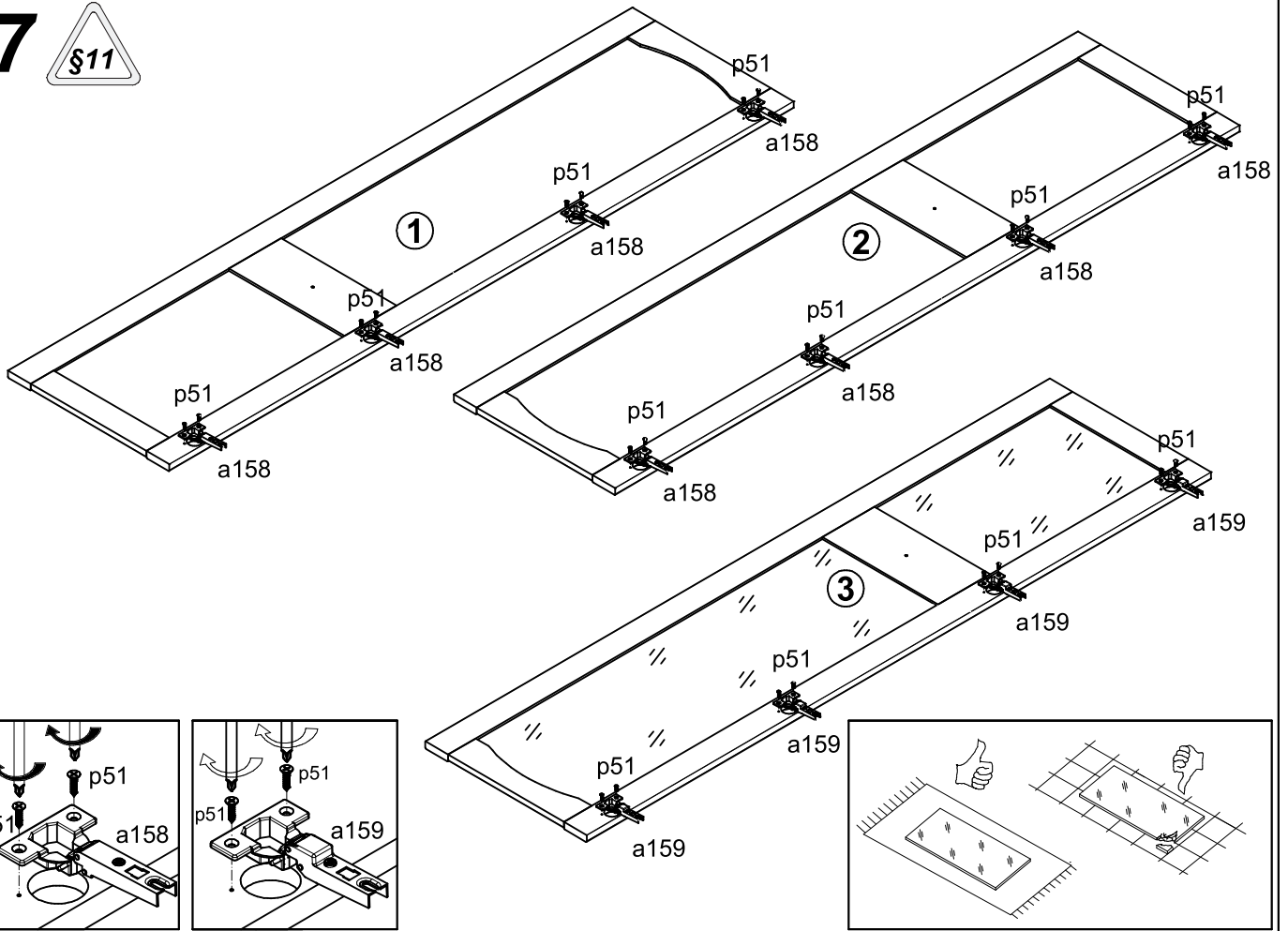
I



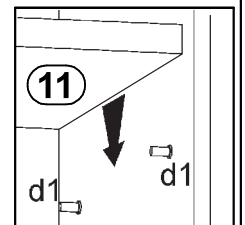
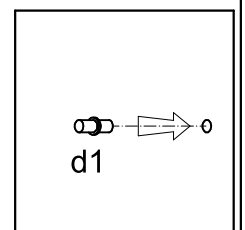
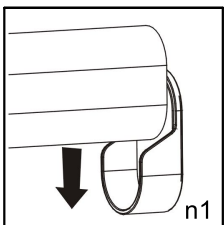
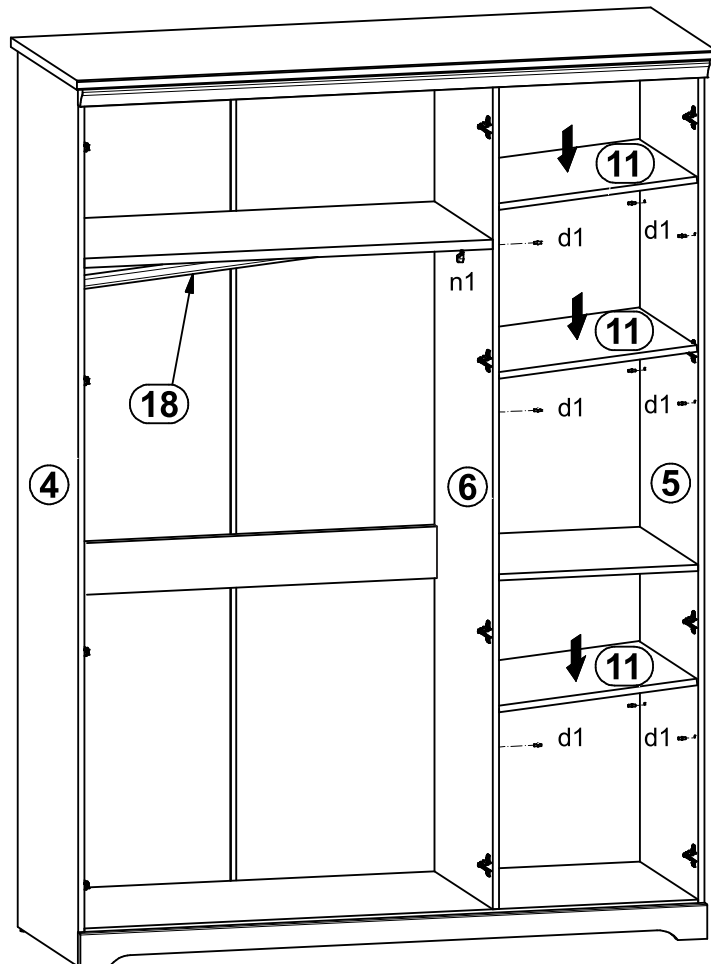
II



7



8



9

