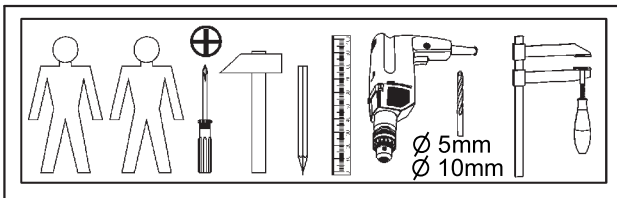
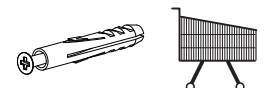


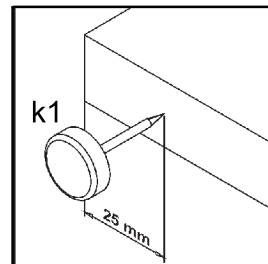
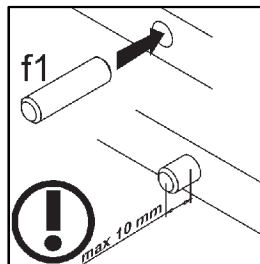
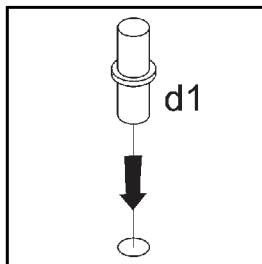
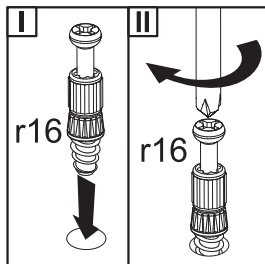
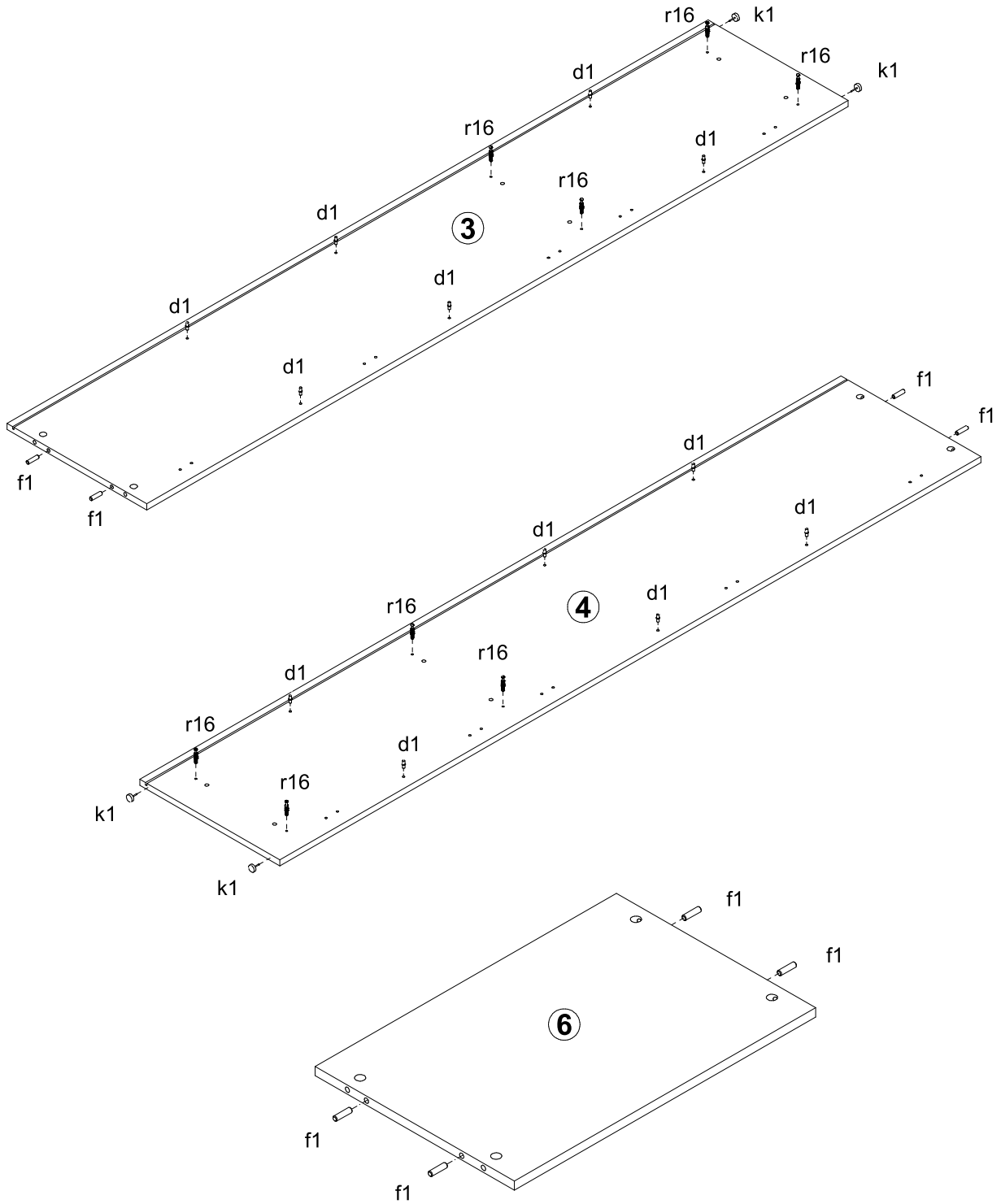
A	B	C	D
1	S405-015	606	593 3/4
2	S405-017	1310	593 4/4
3	S405-122	2050	395 2/4
4	S405-123	2050	395 2/4
5	S405-209	628	445 1/4
6	S405-315	566	375 1/4
7	S405-317	566	368 1/4
8	S405-316	566	365 1/4
9	S405-415	600	80 1/4
10	S405-557	600	44 1/4
11	S405-917	1983	289 2/4
12	S405-916	1983	289 2/4
13	LH-1961	1961	14 2/4



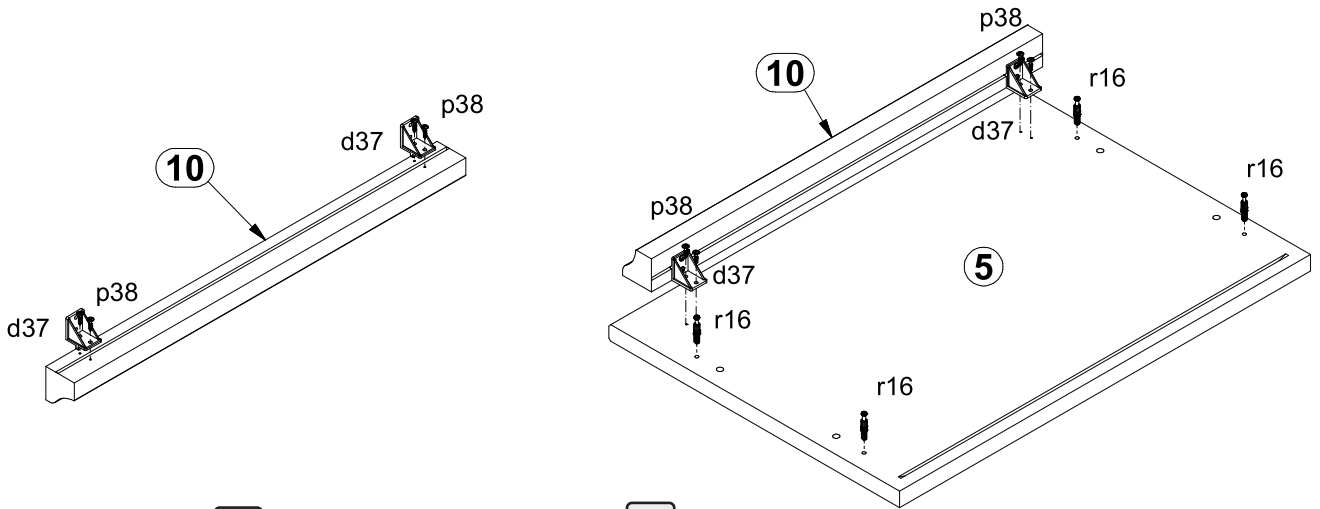
2x  a133	5x  a158	5x  b43	2x  c477/1	2x  c477/2	12x  d1	4x  d37	10x  e2
12x  f1	2x  j11	4x  k1	15x  l1	14x  l2	1x  n261	1x  o100/1	
3x  o100/2	17x  p38	10x  p51	12x  r1	12x  r16	4x  s2	10x  s4	3x  s71



# 1

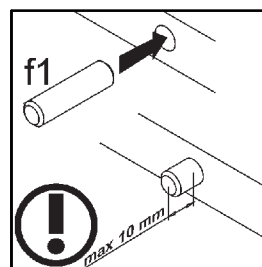
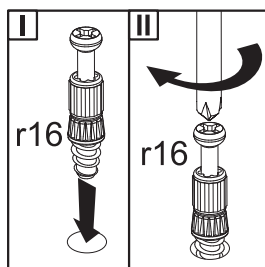
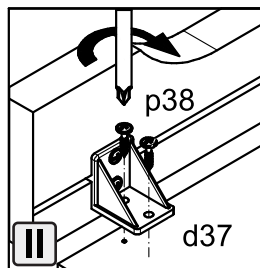
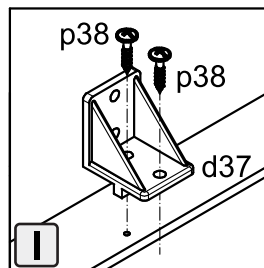
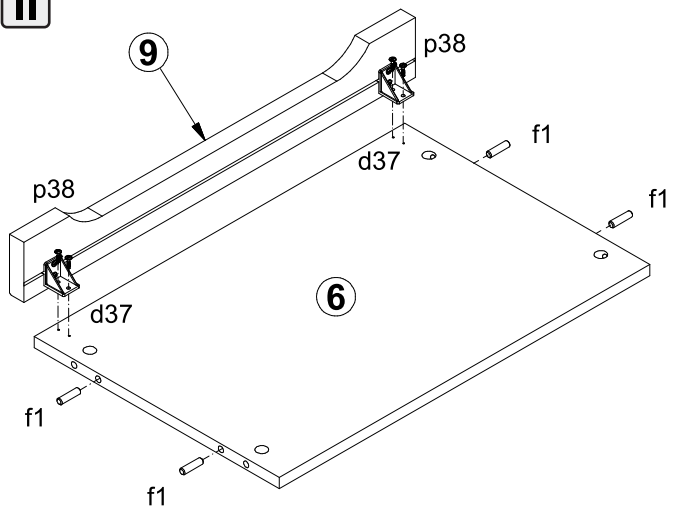
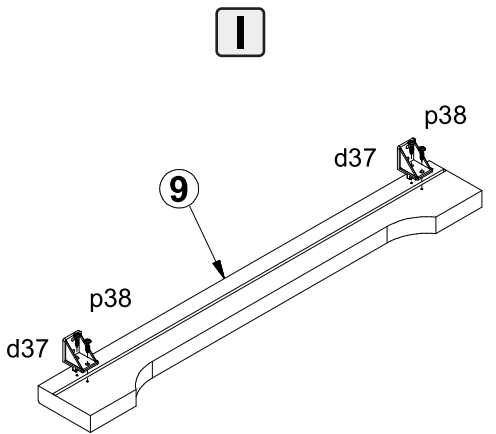


# 2

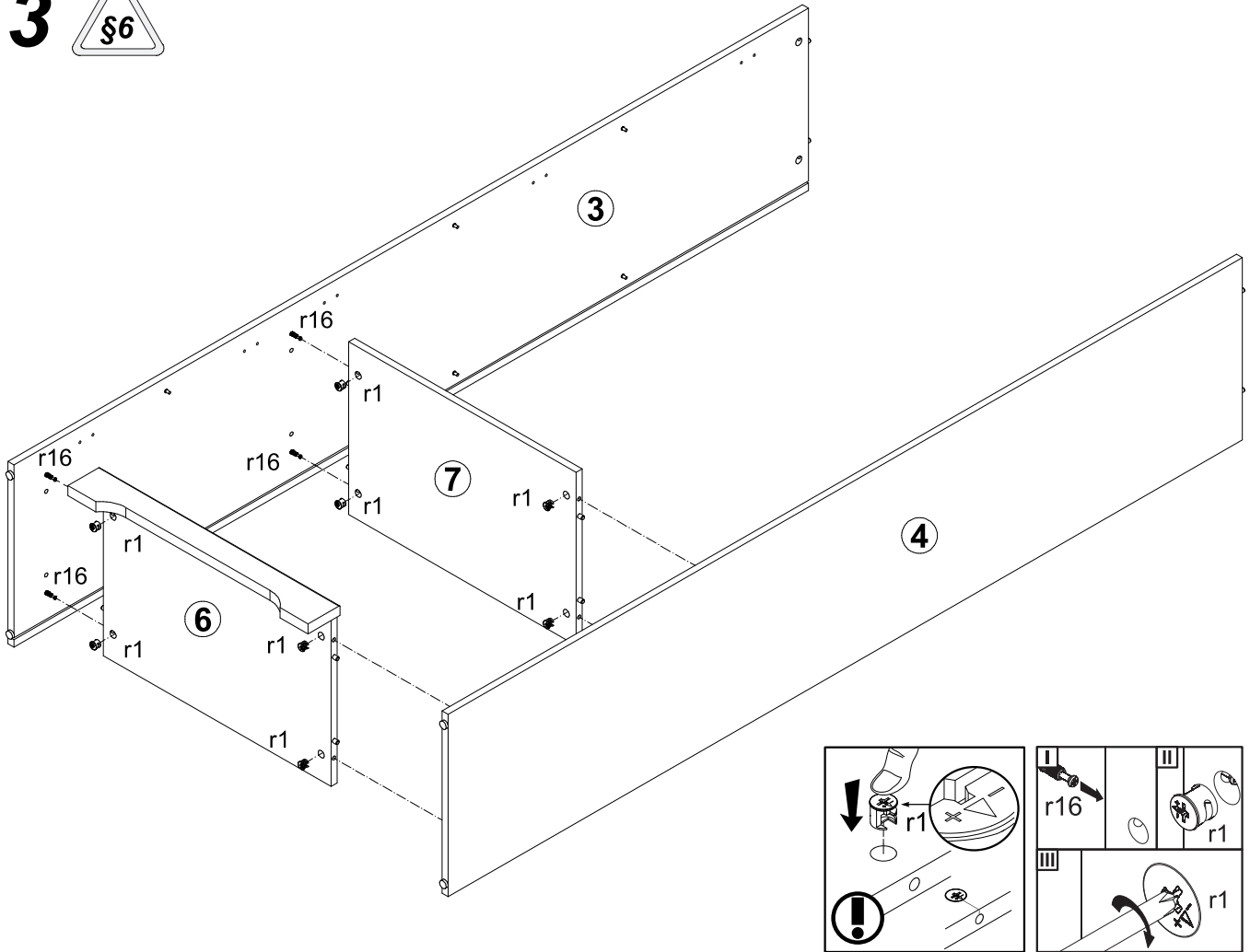


I

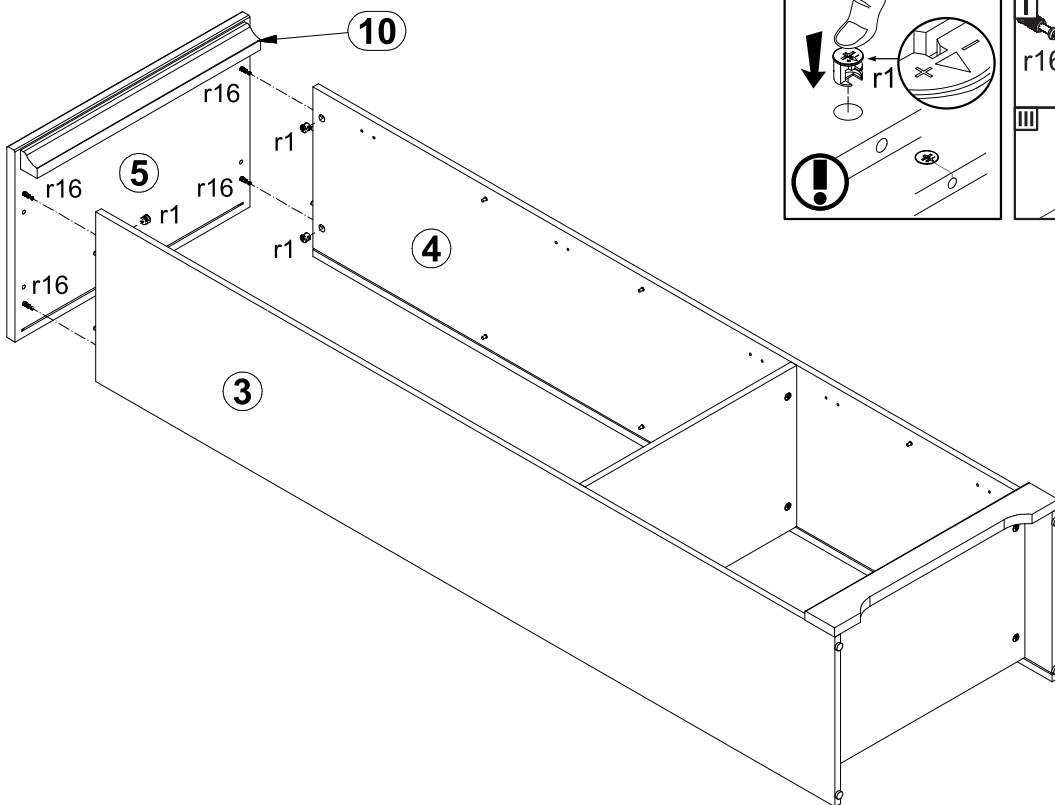
II



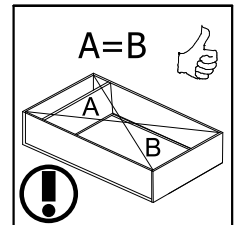
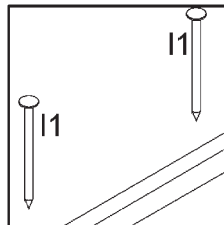
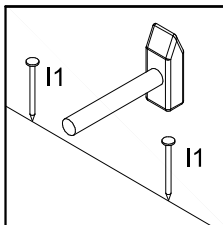
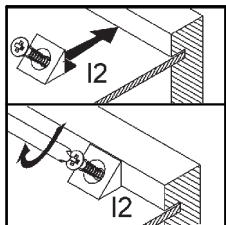
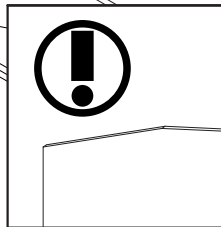
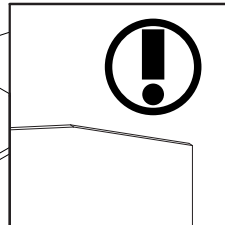
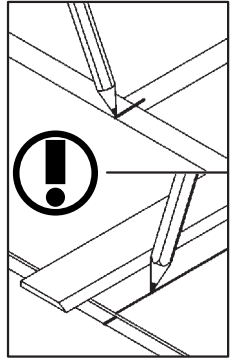
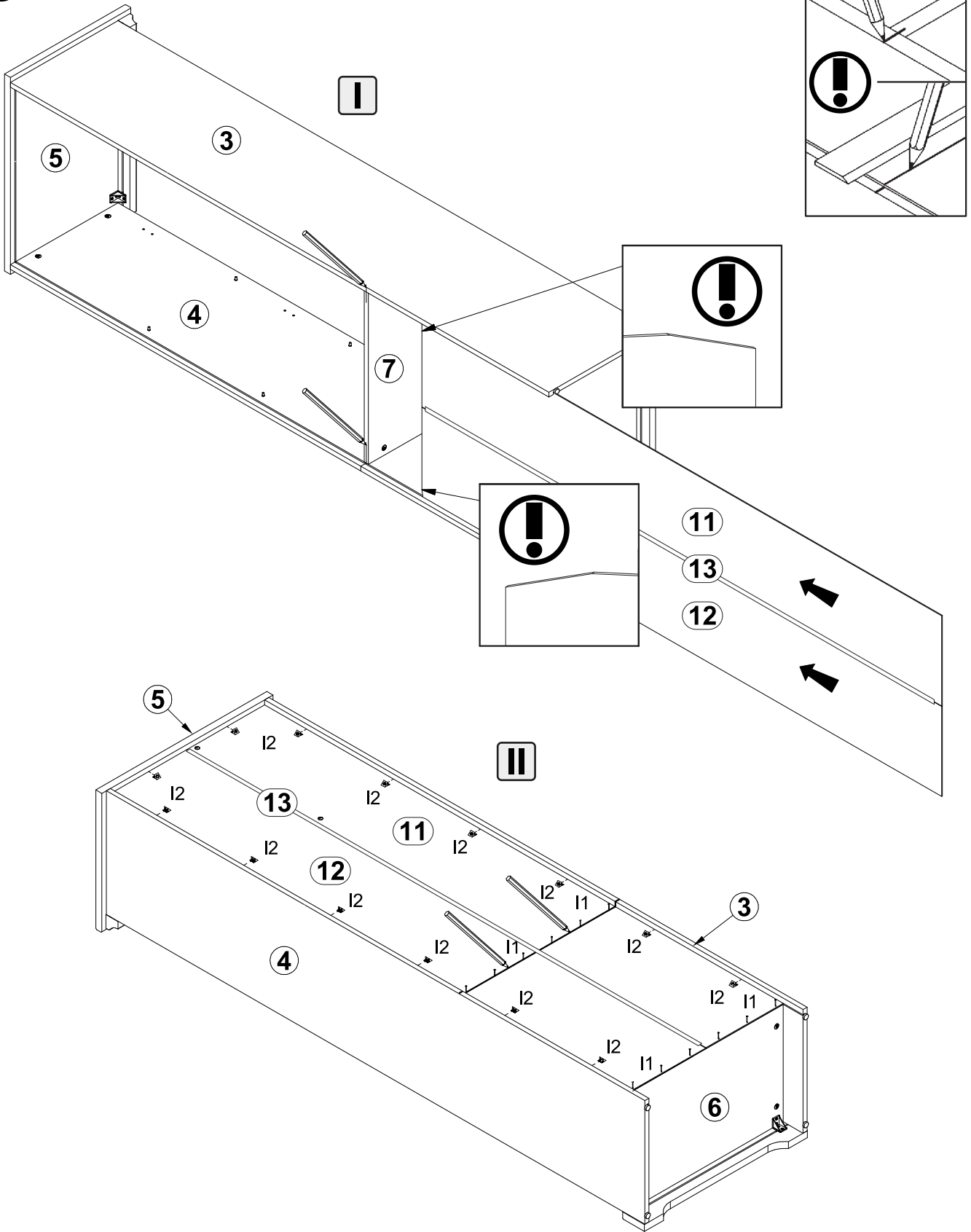
# 3



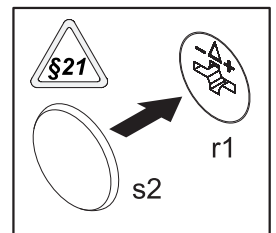
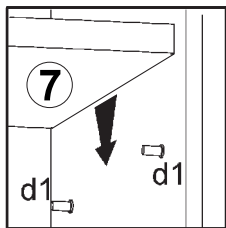
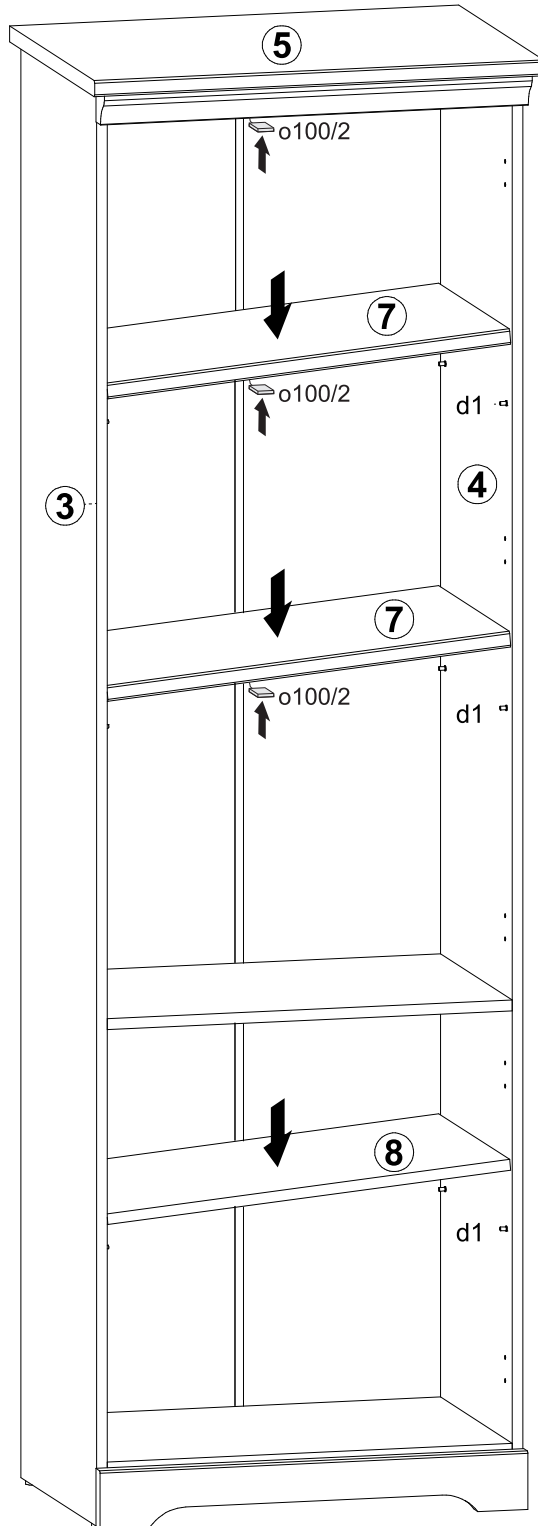
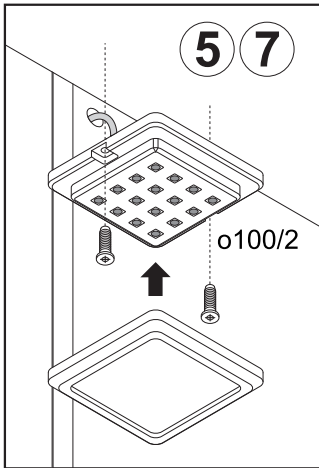
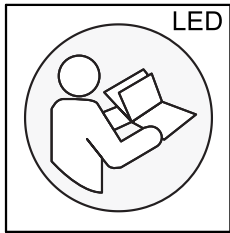
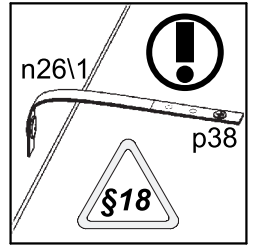
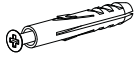
# 4



# 5



6



# 7

