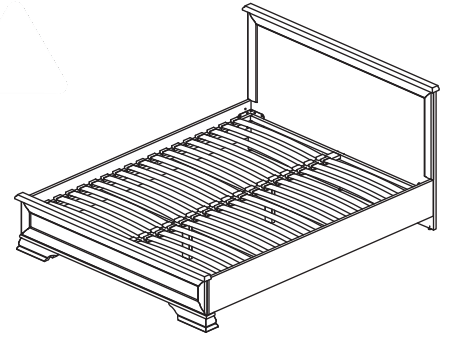


S320-LOZ160x200

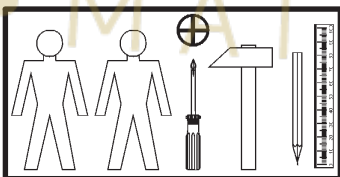
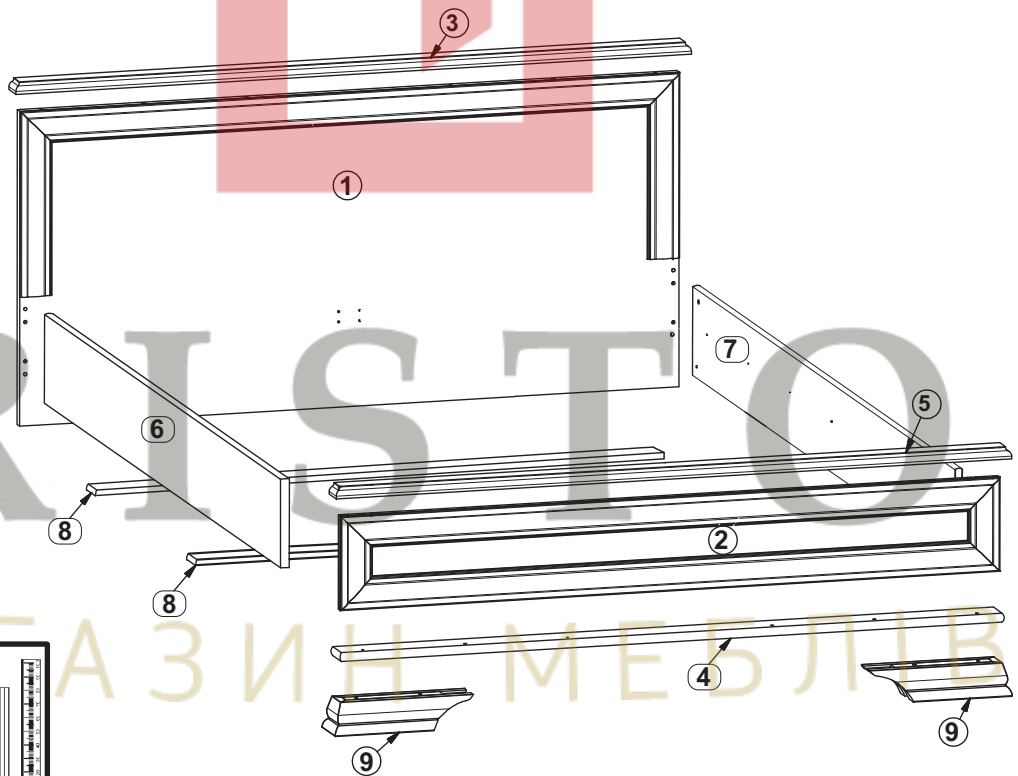


A	B	C		D
1	S320-064	1650	977	2/6
2	S320-065	1650	257	1/6
3	S320-274A	1690	70	3/6
4	S320-275	1662	77	3/6
5	S320-283A	1690	70	3/6
6	S320-435	2000	255	4/6
7	S320-443	2000	255	4/6
8	S320-444	1600	80	4/6
9	S320-512	350	112	5/6

S320-LOZ140x200

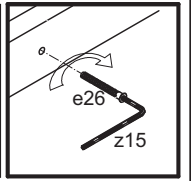
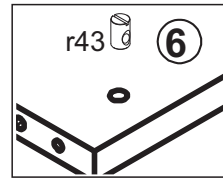
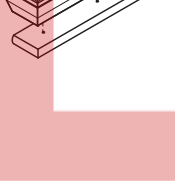
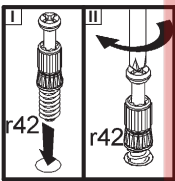
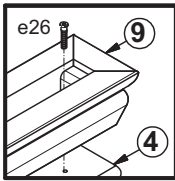
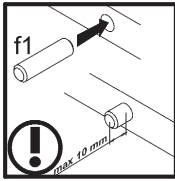
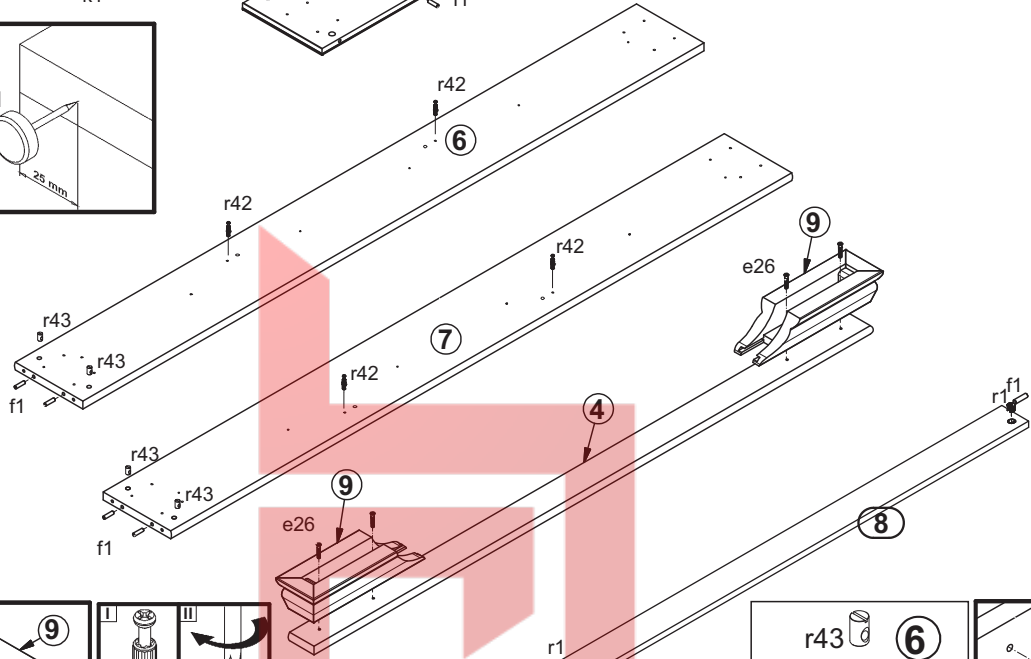
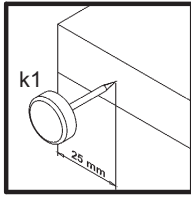
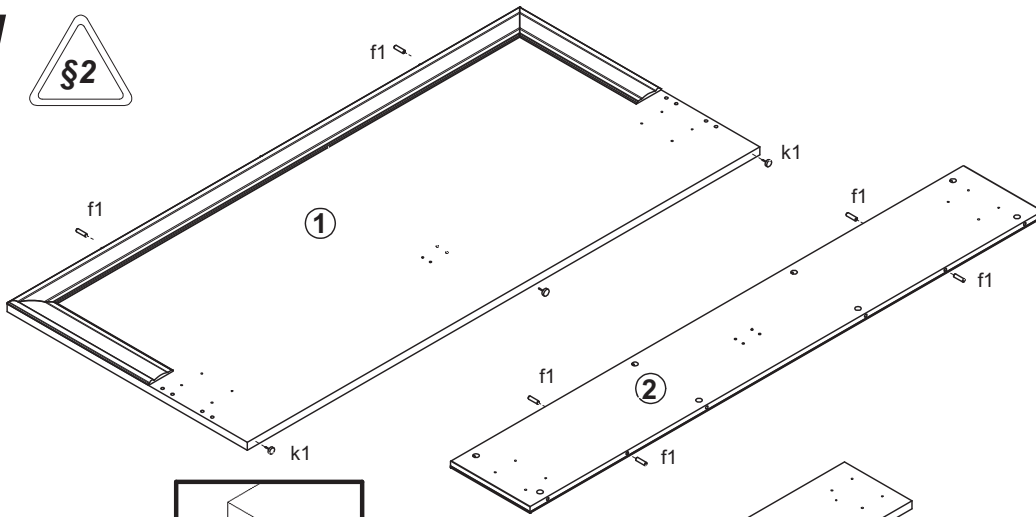


A	B	C		D
1	S320-068	1450	773	2/6
2	S320-067	1450	257	1/6
3	S320-265	1490	70	3/6
4	S320-266	1462	77	3/6
5	S320-282	1490	70	3/6
6	S320-435	2000	255	4/6
7	S320-443	2000	255	4/6
8	S320-429	1400	80	4/6
9	S320-512	350	112	5/6

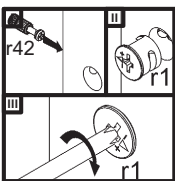
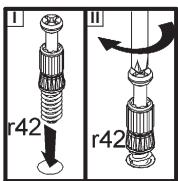
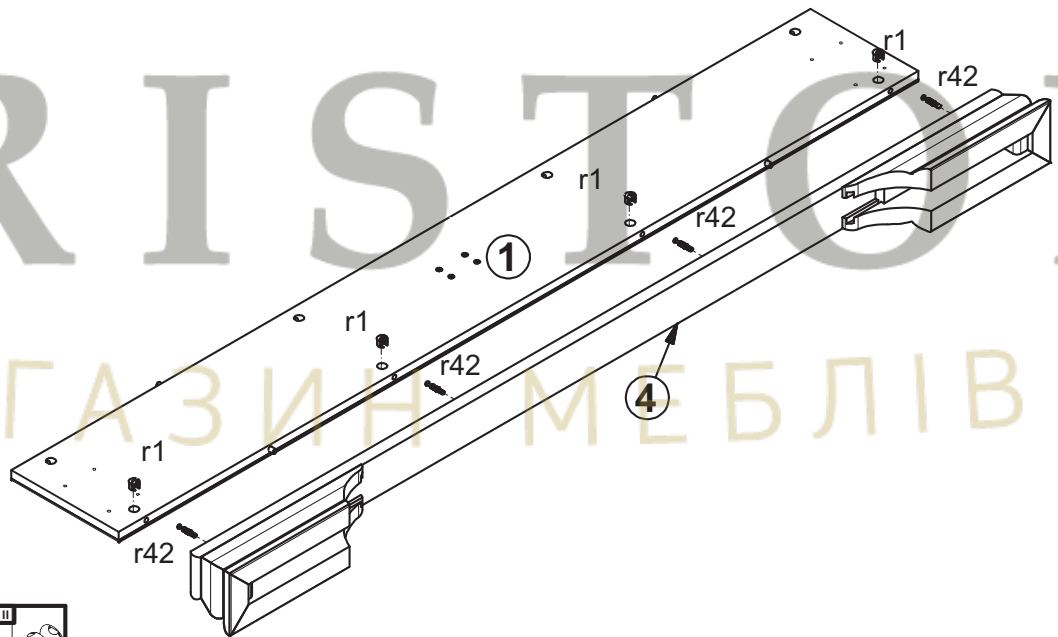


14x φ8x30 mm f1	4x M6x84 mm j117	4x φ7x35 mm e26	4x 115x115x122 mm n106	16x φ15x12mm #16 r1	16x r42	4x φ10x16mm r43	1x 4mm z15
3x k1	4x ø16 s2	32x x16 mm e7					

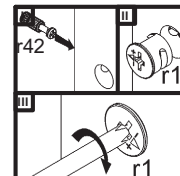
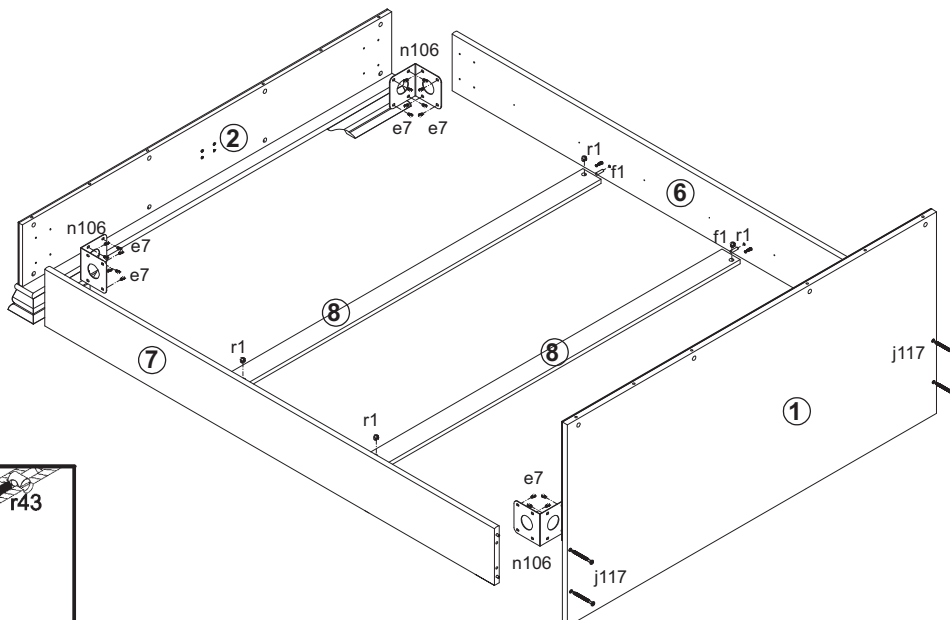
1



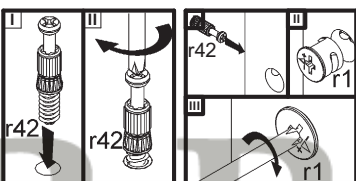
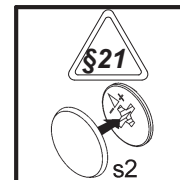
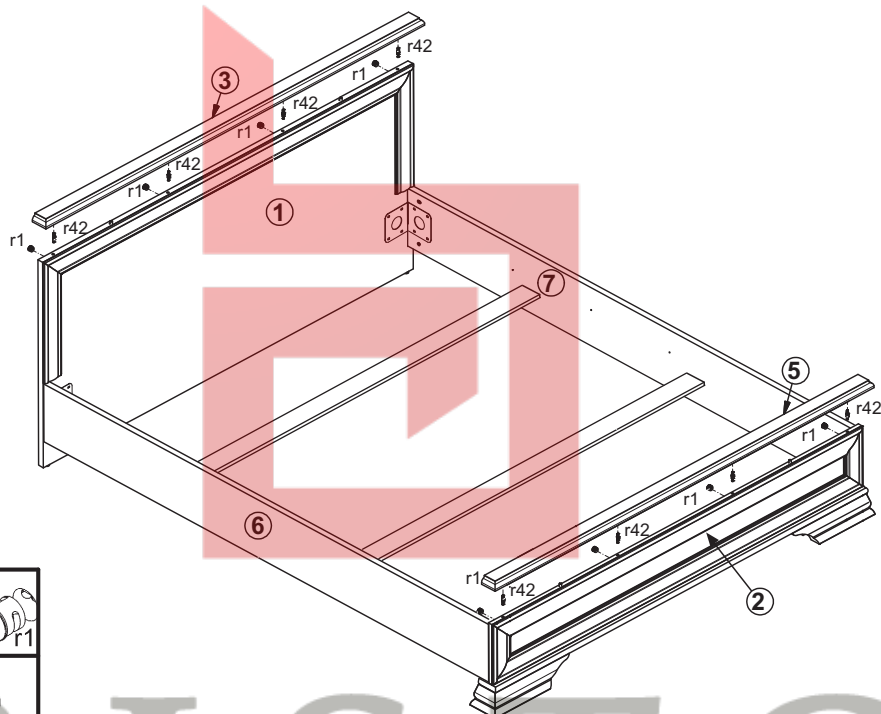
2



3



4



5

§14

