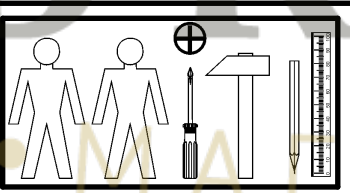
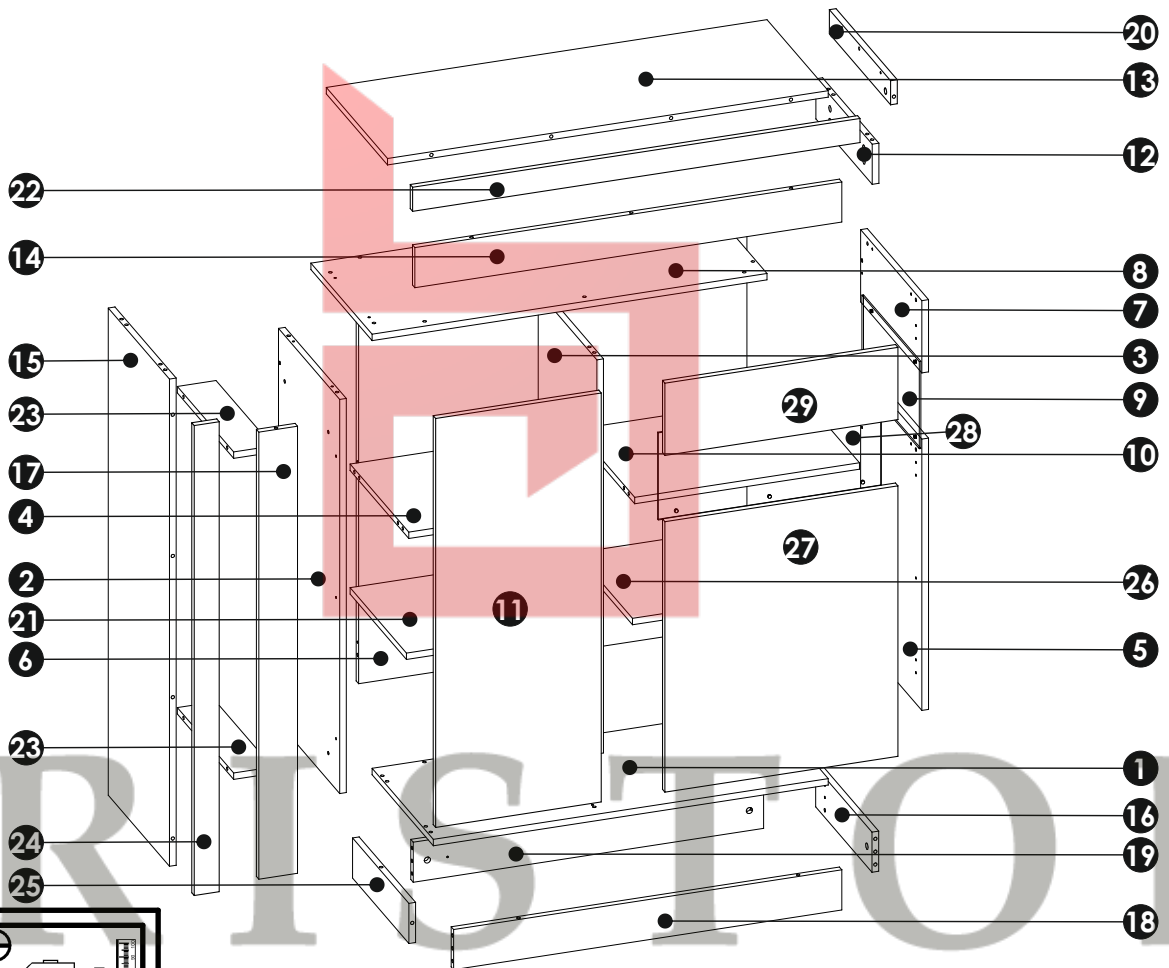
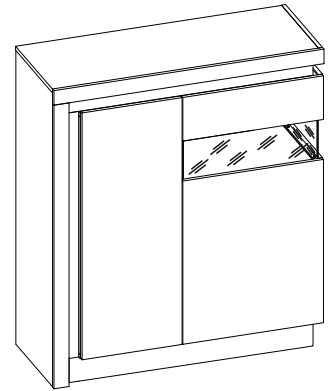
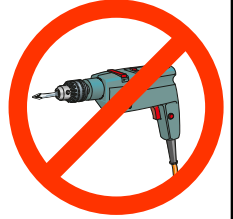
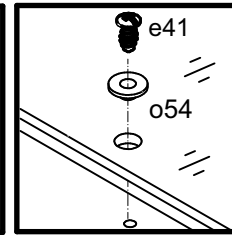
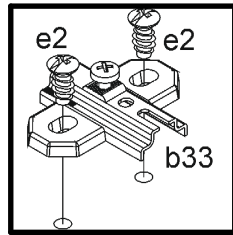
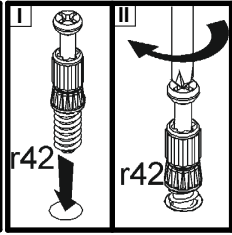
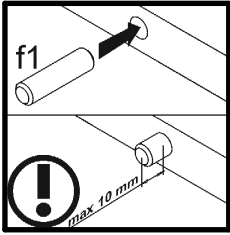
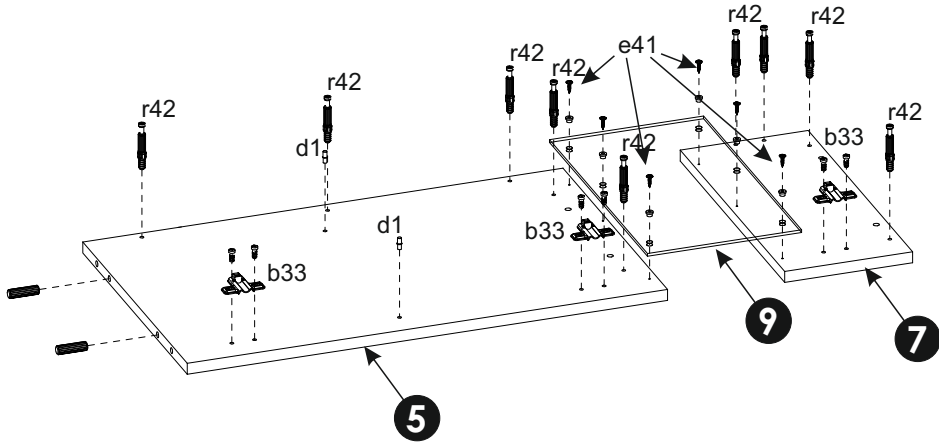


A	B	C	D	A	B	C	D		
1	N61-213	949	404	1/3	16	N61-432	372	100	1/3
2	N61-136	982	404	2/3	17	N61-546	1014	100	2/3
3	N61-122	982	404	2/3	18	N61-433	1017	100	2/3
4	N61-313	376	382	1/3	19	N61-434	1001	100	2/3
5	N61-719	657	404	3/3	20	N61-544	404	60	1/3
6	N61-431	982	917	2/3	21	N61-313	376	382	1/3
7	N61-720	404	180	3/3	22	N61-545	1066	60	1/3
8	N61-315	933	404	1/3	23	N61-547	372	100	1/3
9	N61-507	379	225	3/3	24	N61-548	1171	60	1/3
10	N61-314	524	383	1/3	25	N61-435	324	100	1/3
11	N61-007	1018	399	2/3	26	N61-316	523	382	1/3
12	N61-542	372	100	1/3	27	N61-723	673	544	3/3
13	N61-214	1049	404	1/3	28	N61-549	518	225	3/3
14	N61-543	1017	100	2/3	29	N61-724	544	180	3/3
15	N61-121	1214	404	1/3					

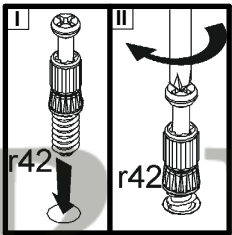
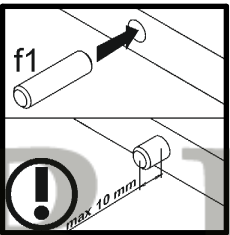
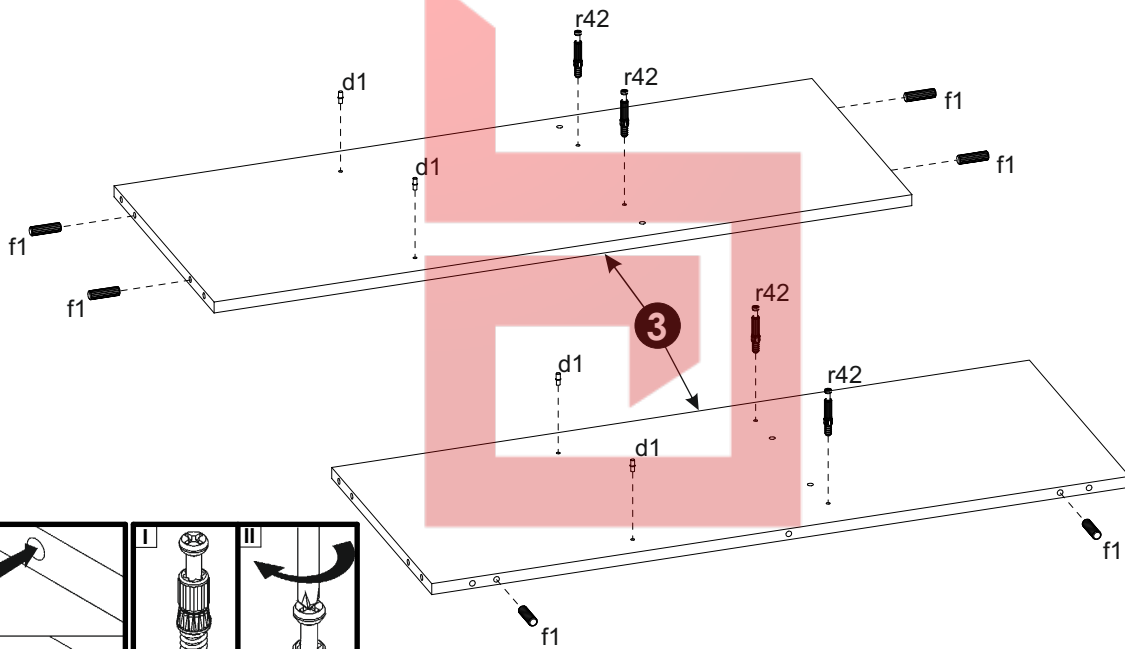


5x a44	5x b33	10x Ø3,5x15 mm p51	12x Ø5x12 mm e41	12x Ø5,3/Ø8,3x4,8mm o54	70x Ø8x30 mm f1	6x Ø5x17 mm d1	8x Ø5x17 mm d1	4x silikon o21
67x Ø15x12 mm #16 r1	65x 20/11 r42	1x L=1450 mm o83	24x Ø7x50 mm e1	1x Ø10x50 mm f35	1x Ø5x60 mm p17	1x 81x21x15/1,5mm n14	2x Ø3,5x16 mm p38	10x Ø16 s2
1x o60/1	1x o60/2	1x L=1450 mm o83	1x L=1150 mm o83	1x o43/6				
								1x 4 mm z1

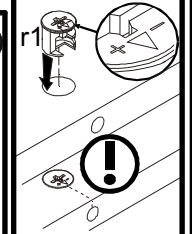
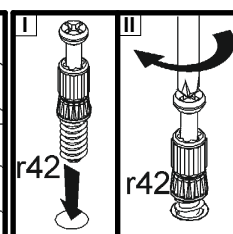
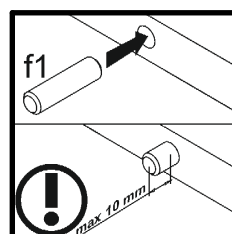
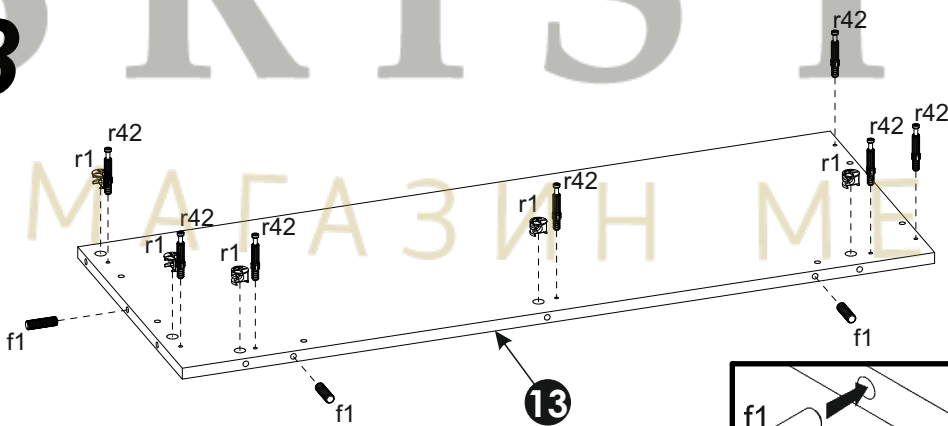
1



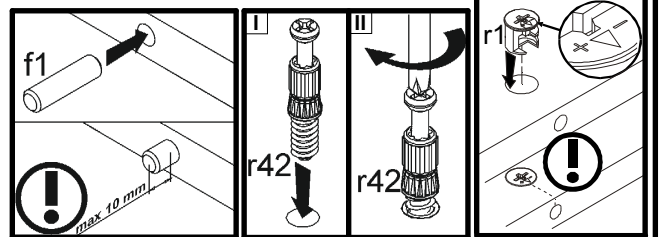
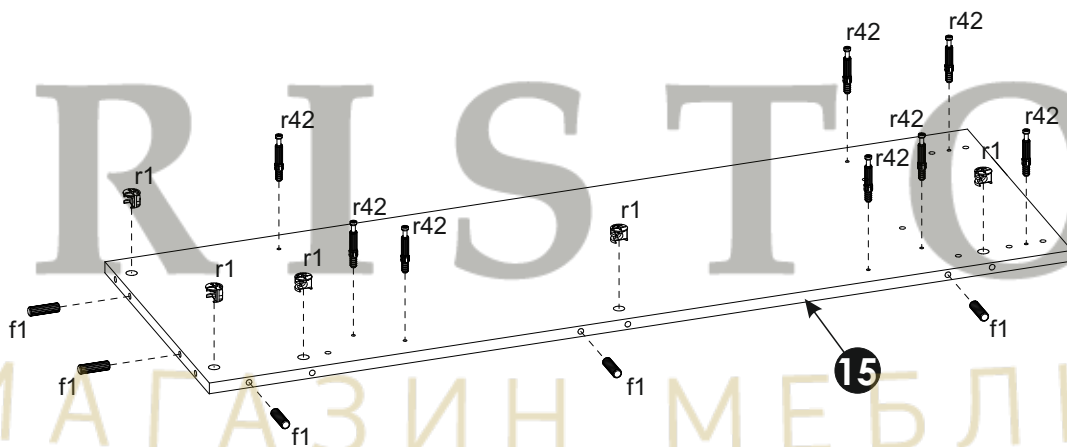
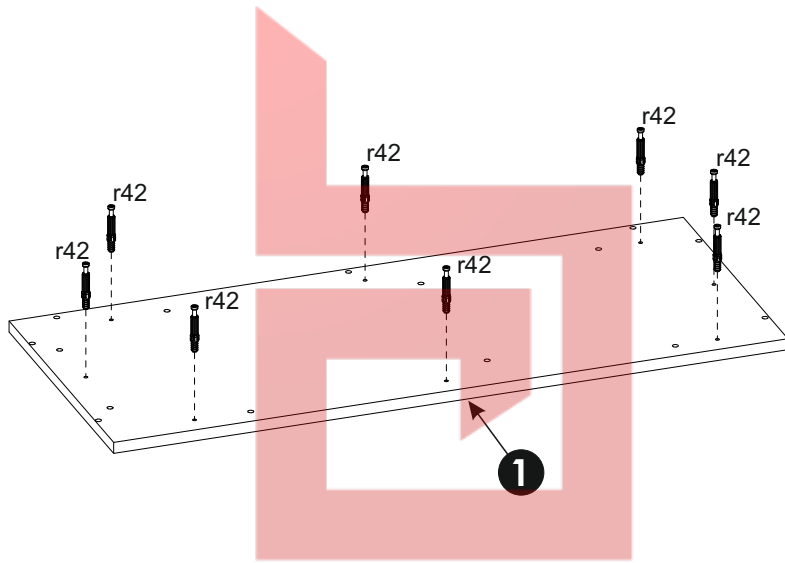
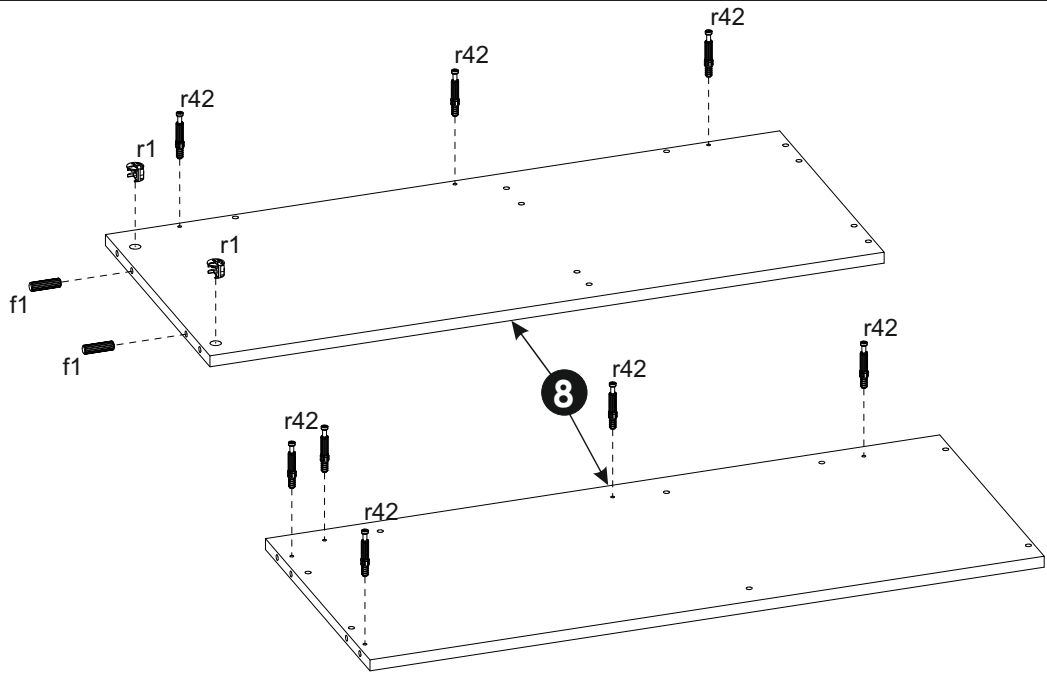
2



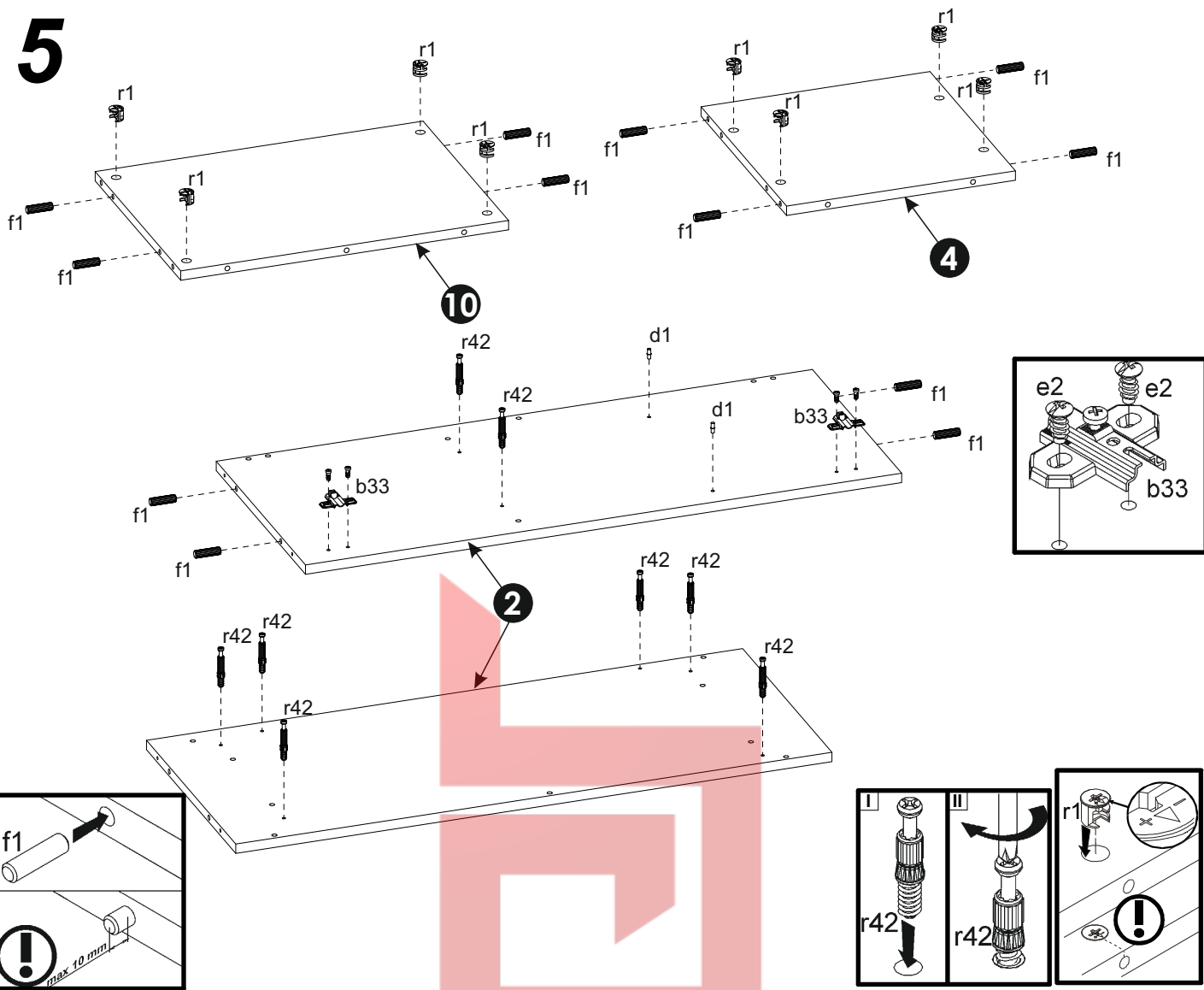
3



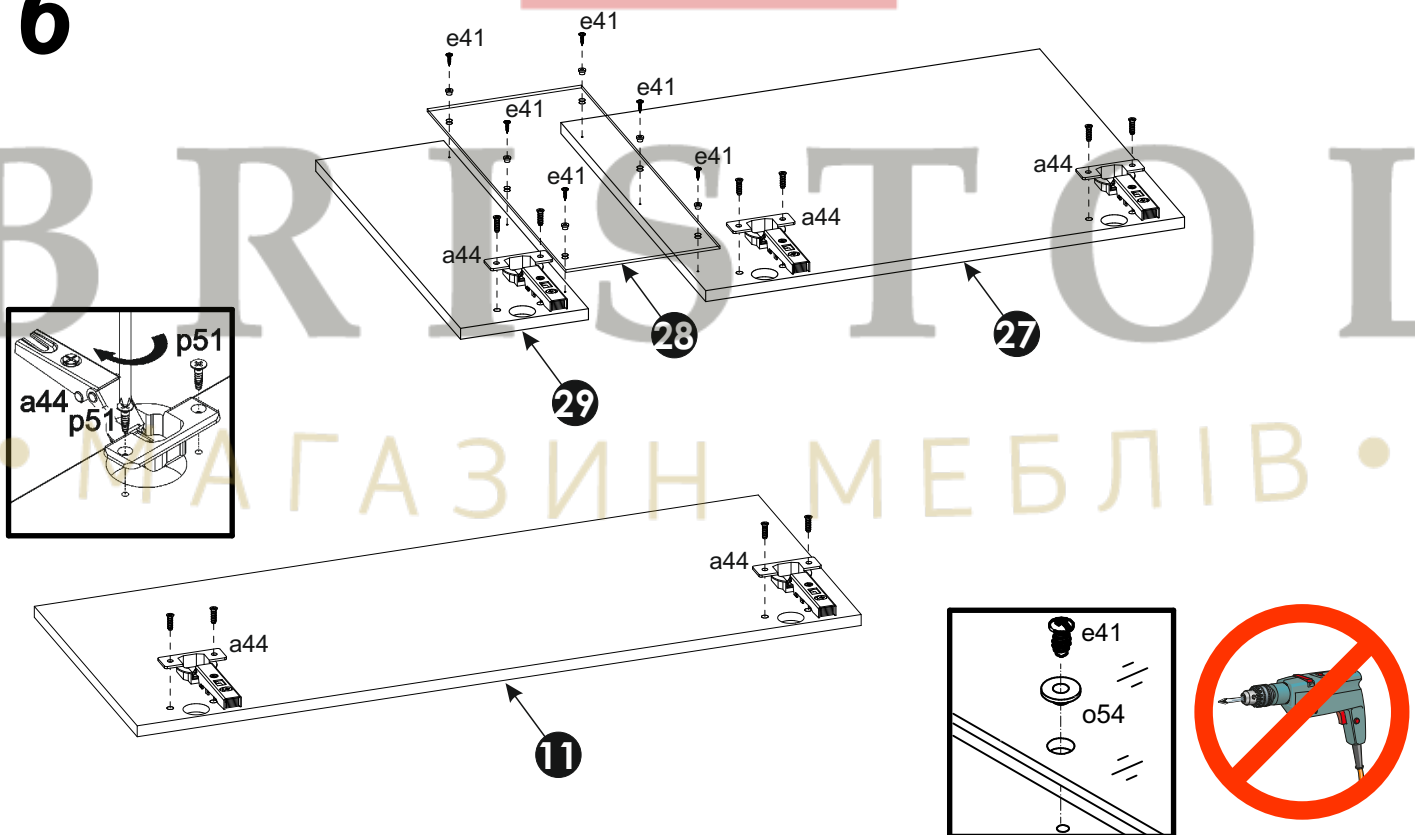
4



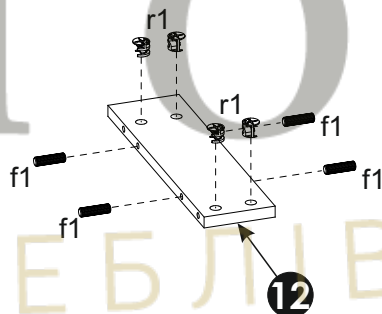
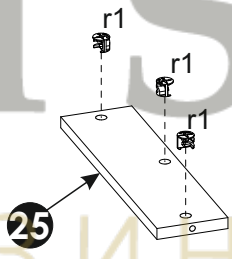
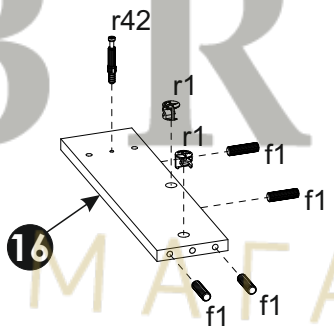
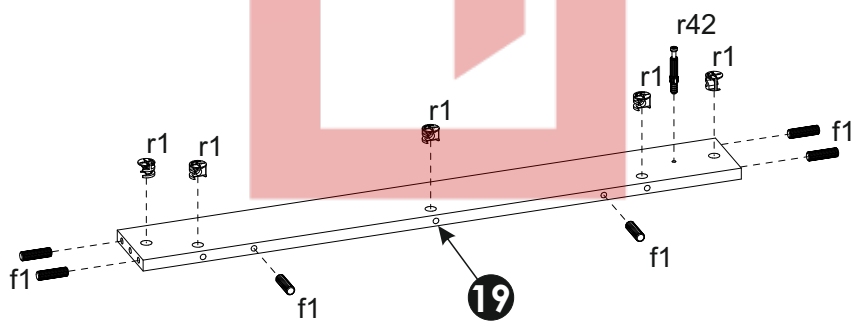
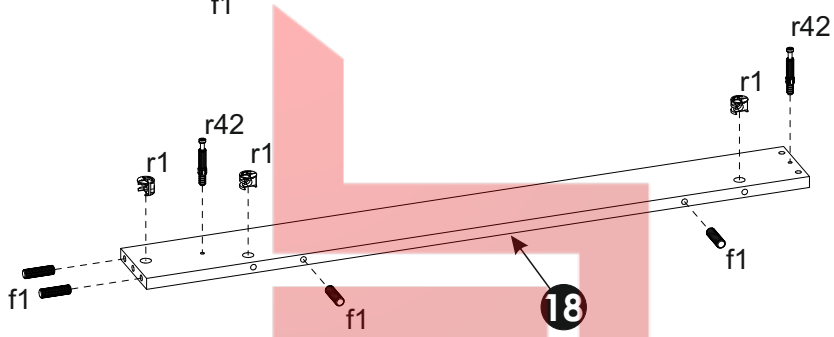
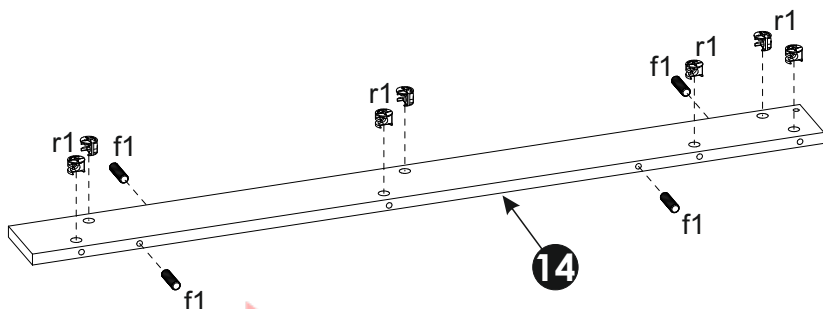
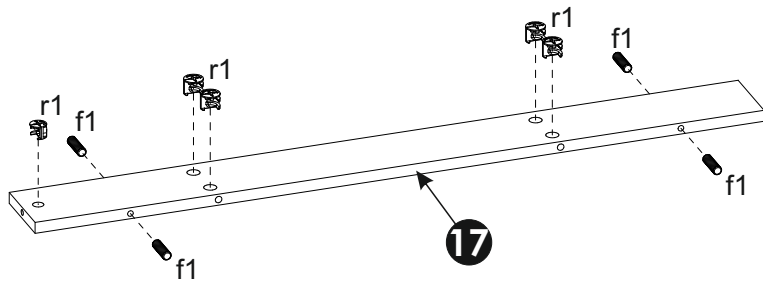
5



6

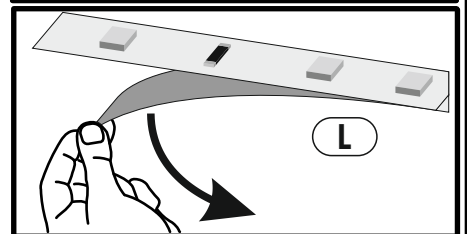
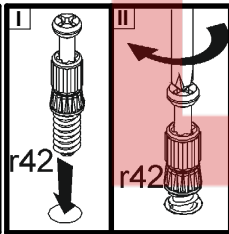
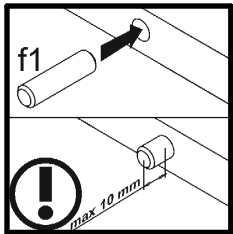
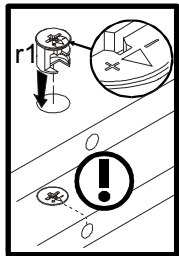
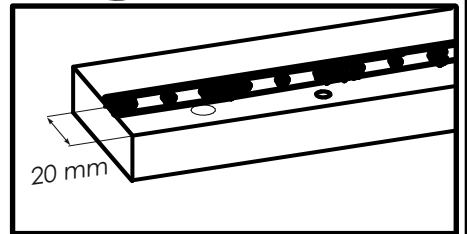
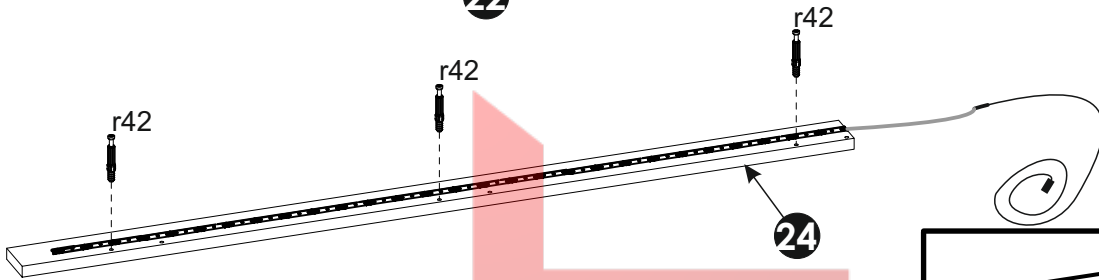
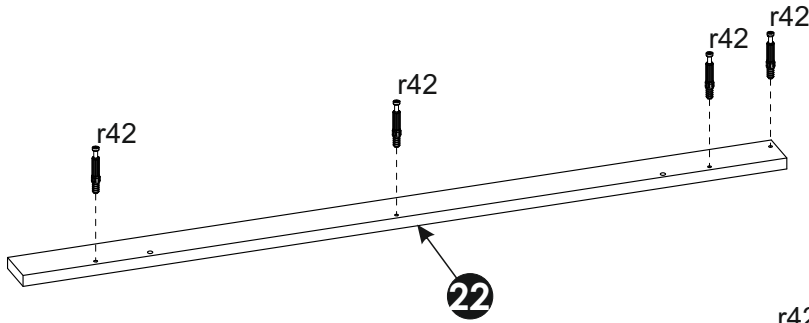
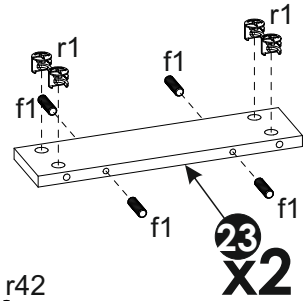
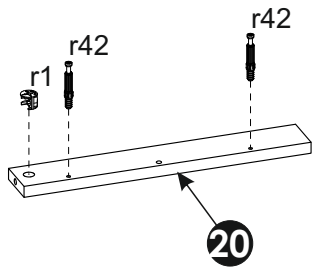


7

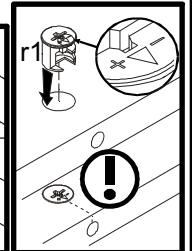
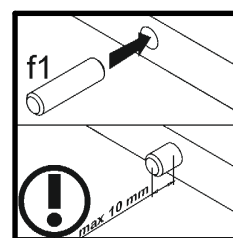
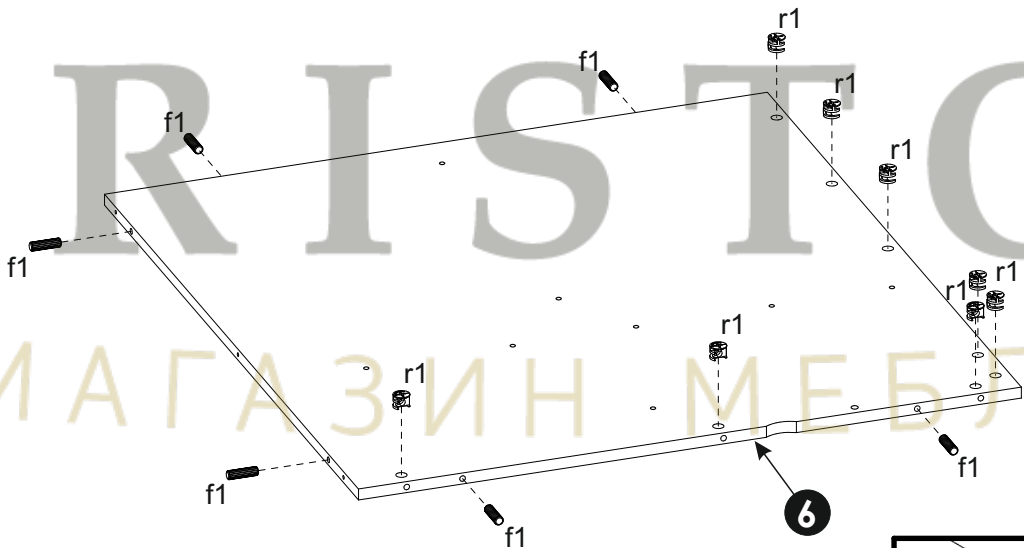


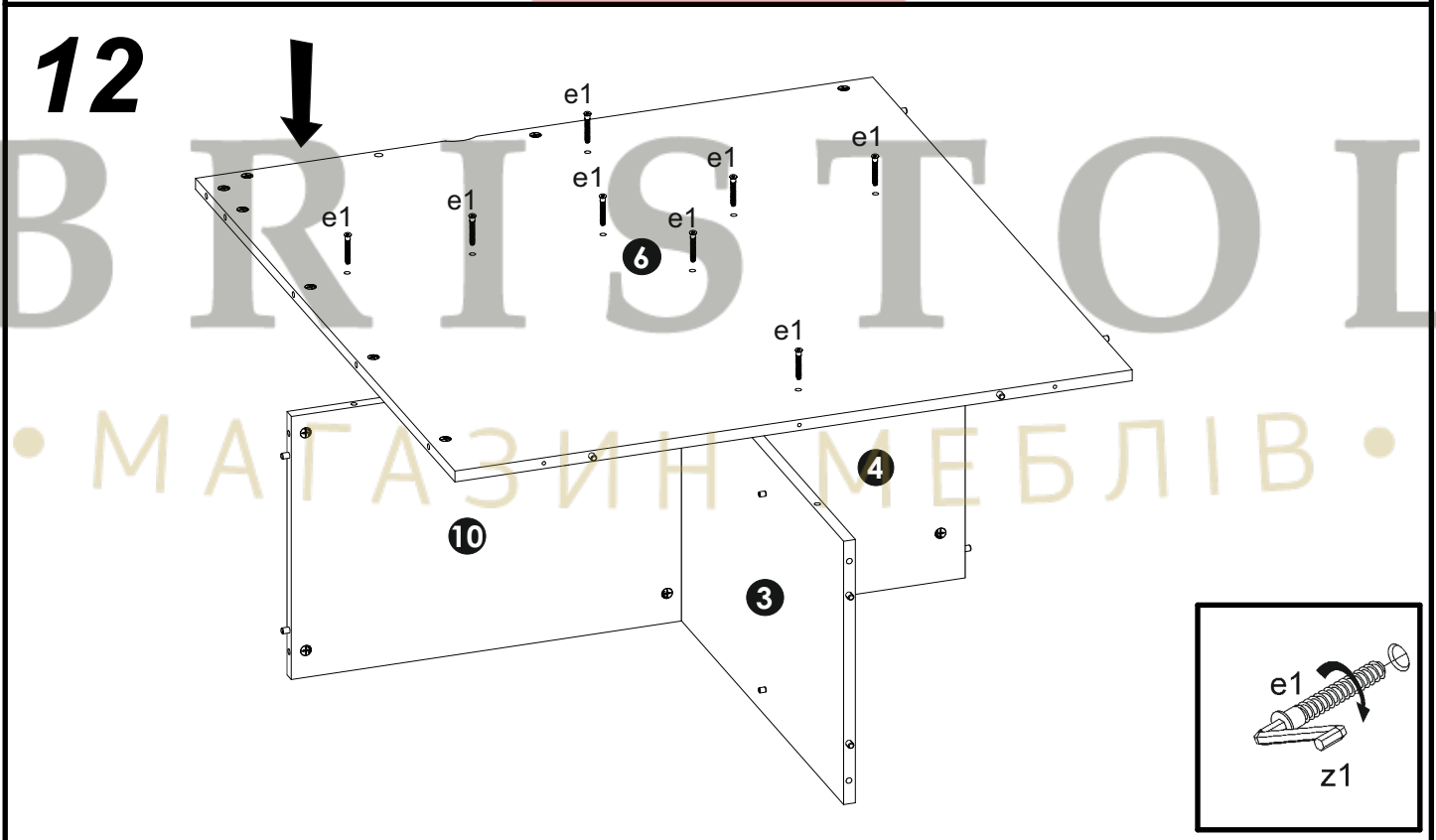
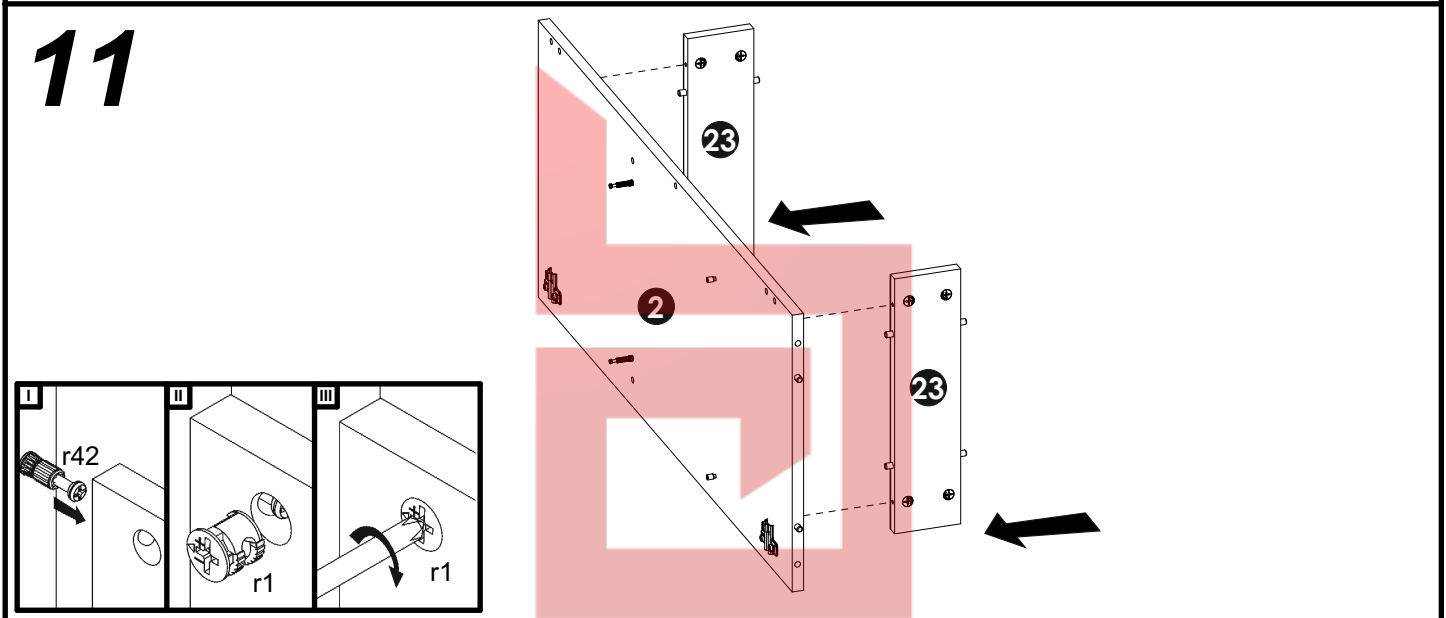
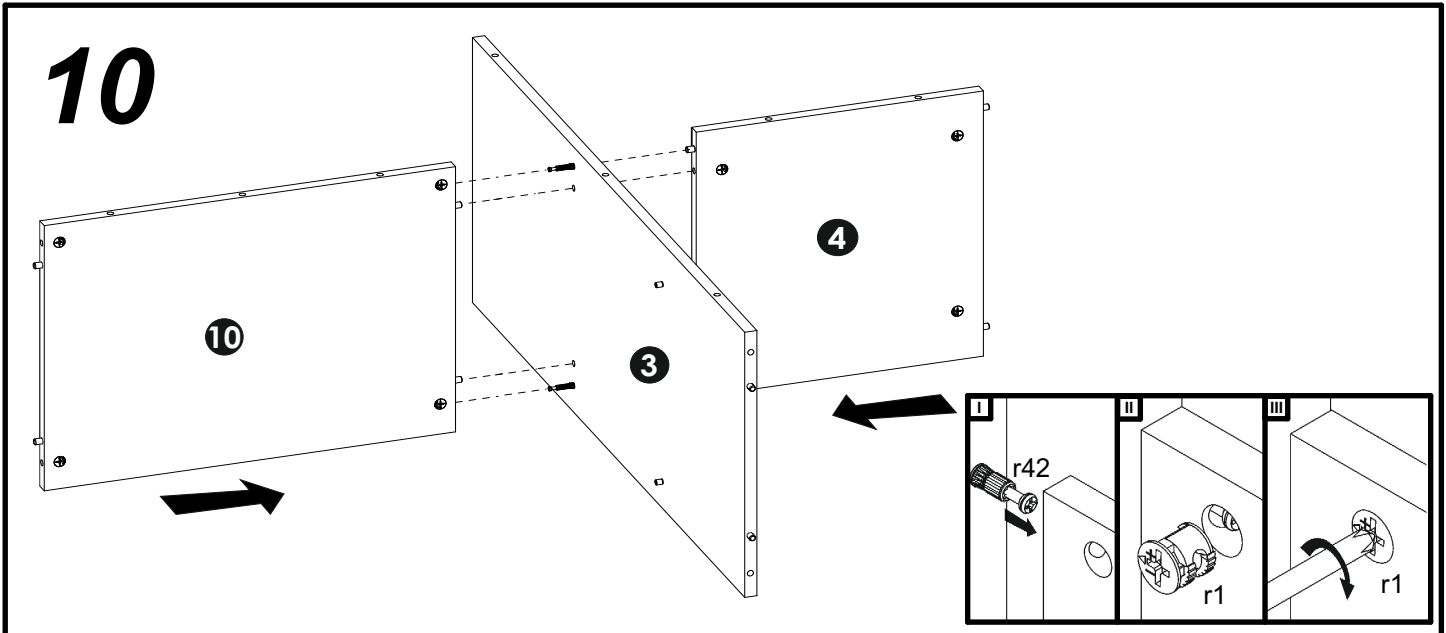
This block contains detailed assembly instructions for the hardware used in the diagrams. It includes three sub-diagrams: 1) A screw labeled 'f1' being inserted into a hole in a panel. A warning icon and the text 'max 10 mm' are shown below. 2) A rivet labeled 'r42' being inserted into a hole in a panel. 3) A rivet labeled 'r1' being inserted into a hole in a panel. A warning icon is shown below.

8

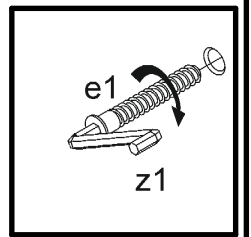
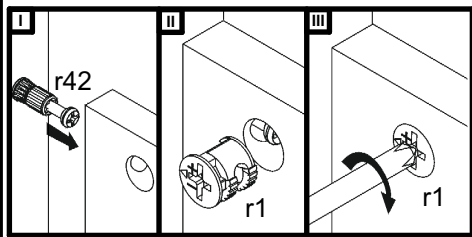
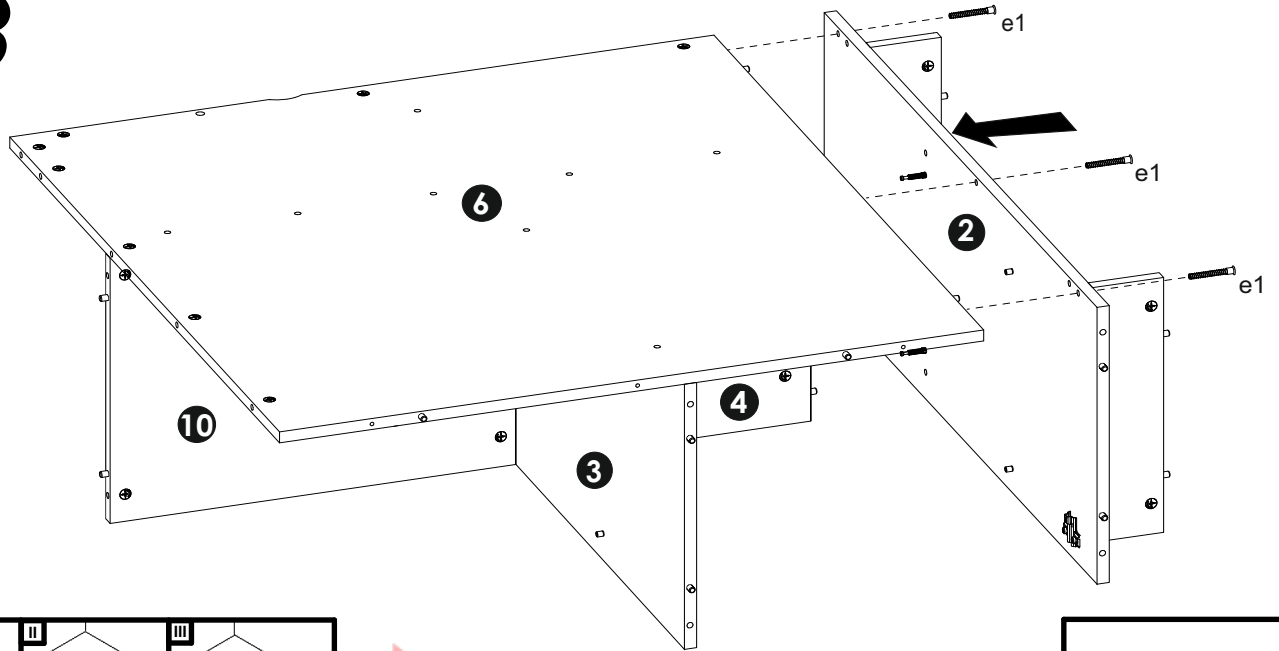


9

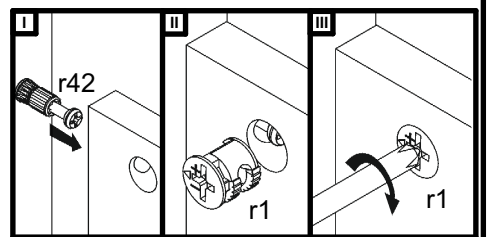
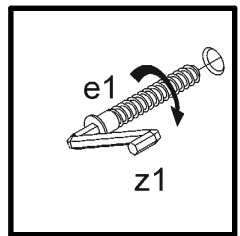
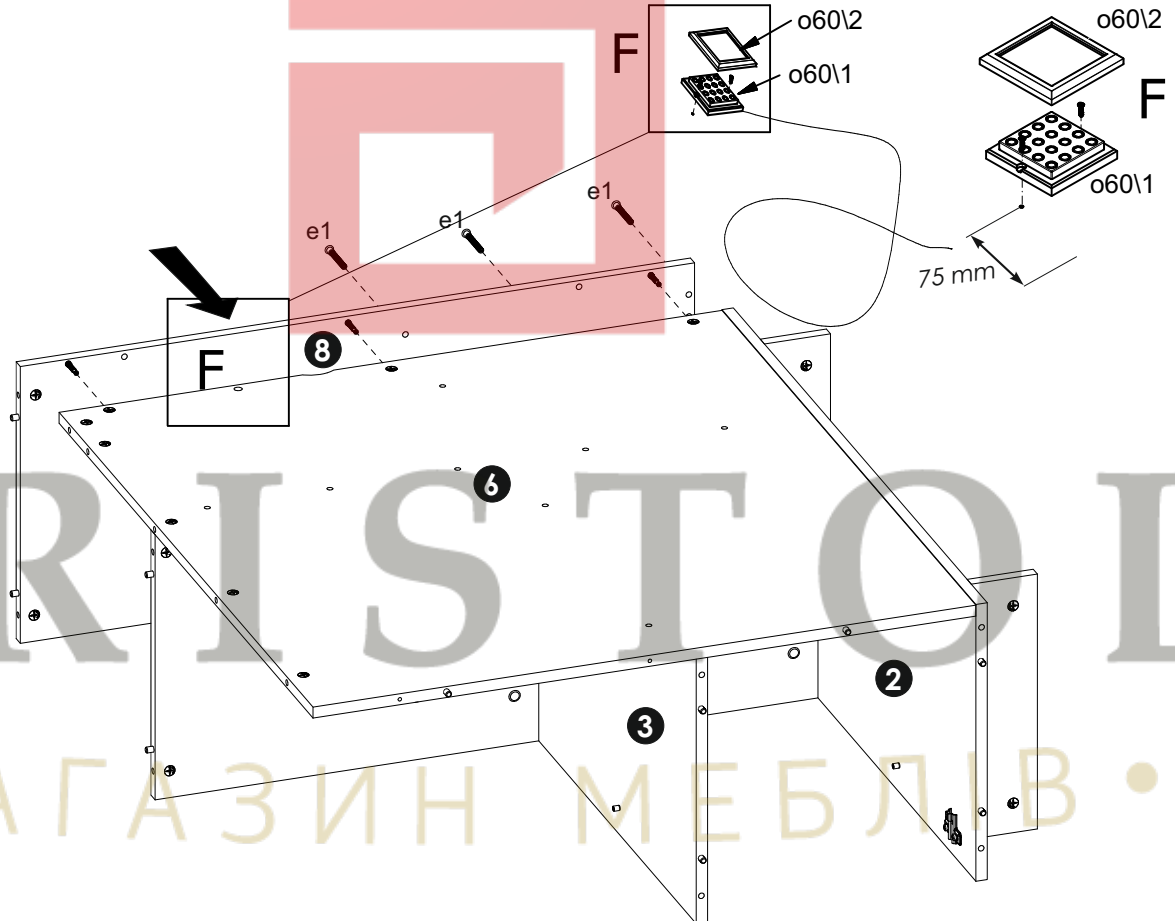




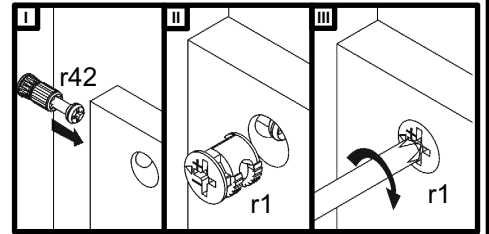
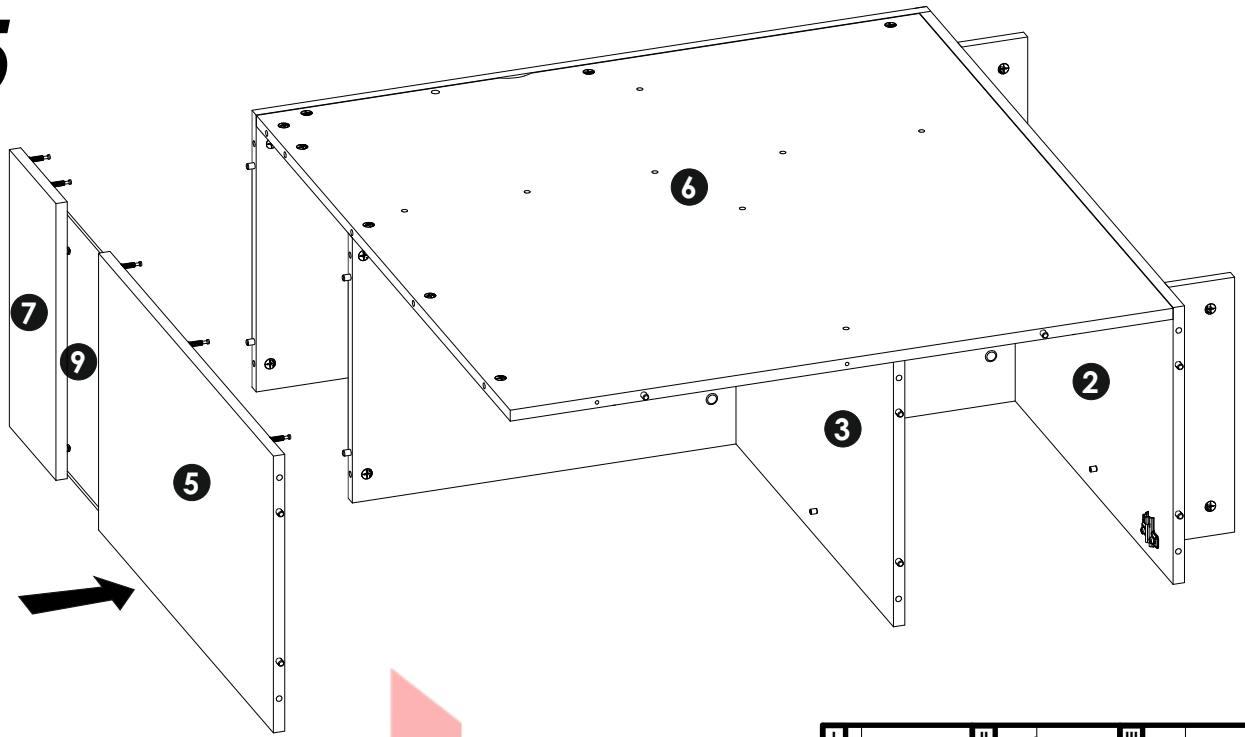
13



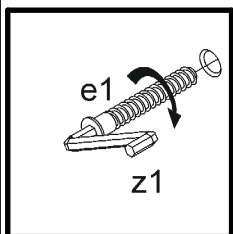
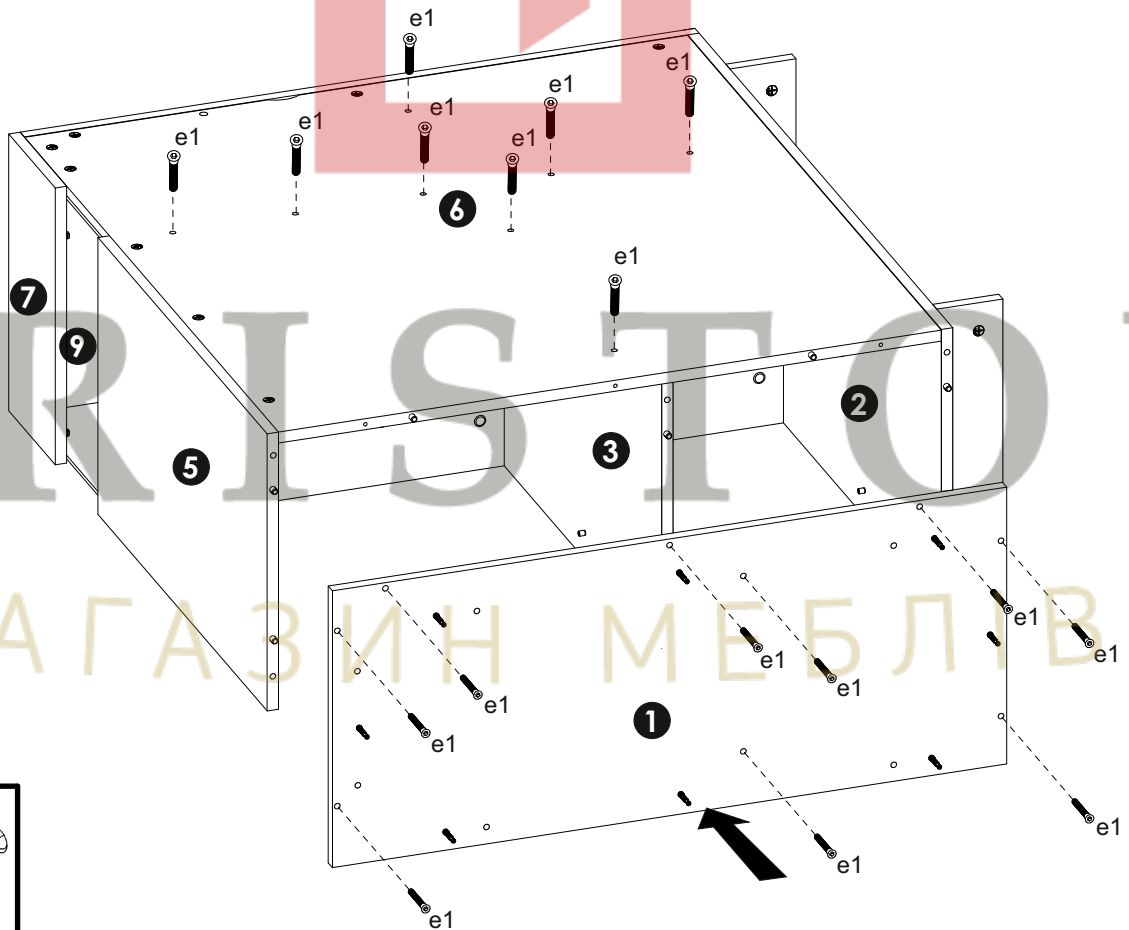
14



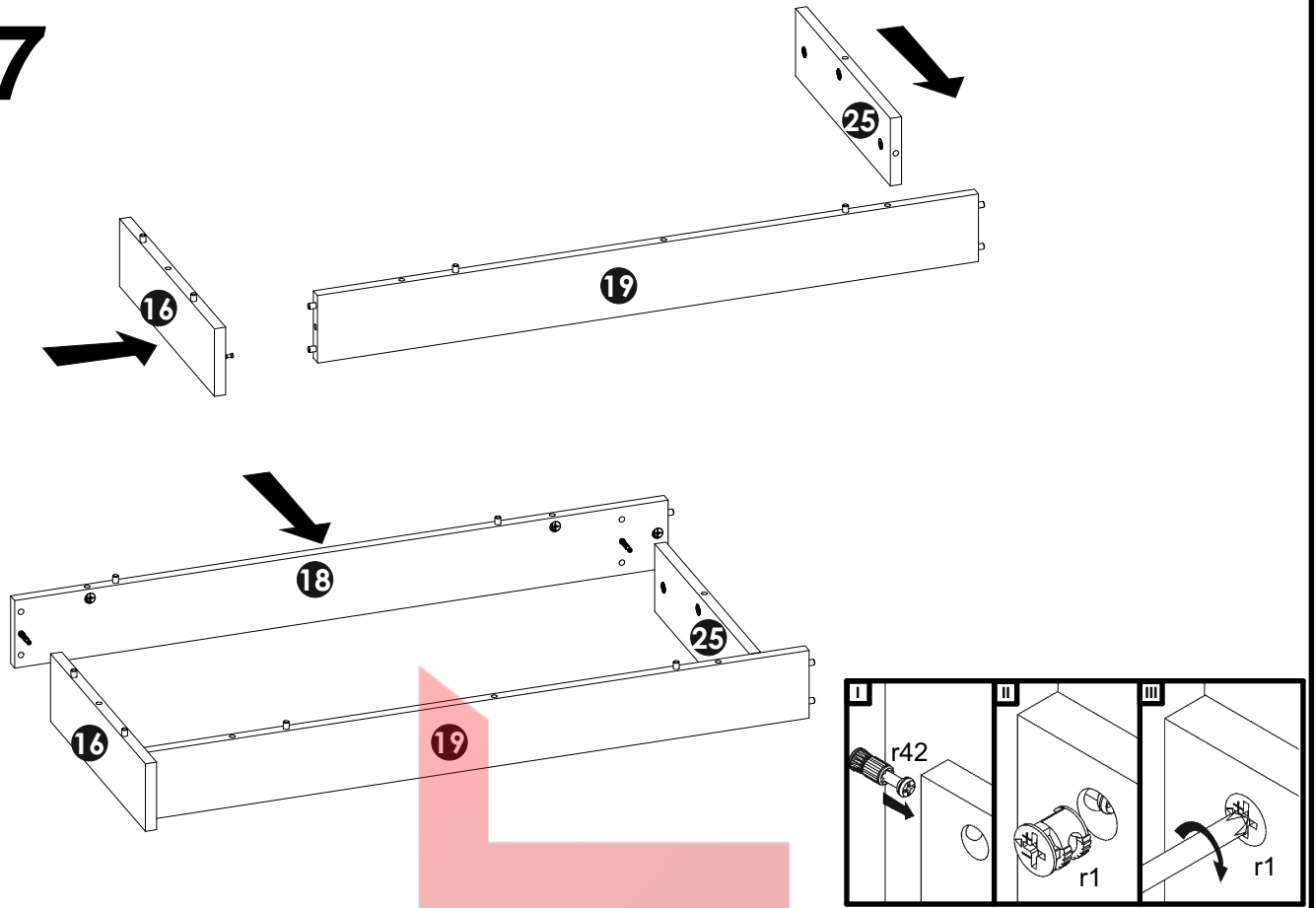
15



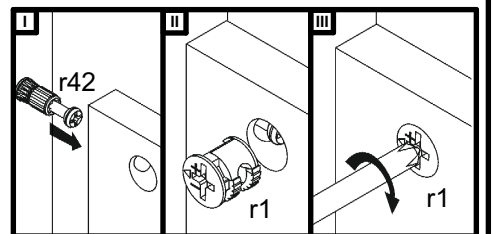
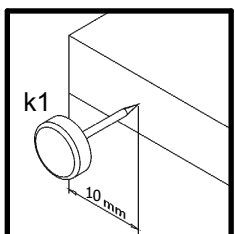
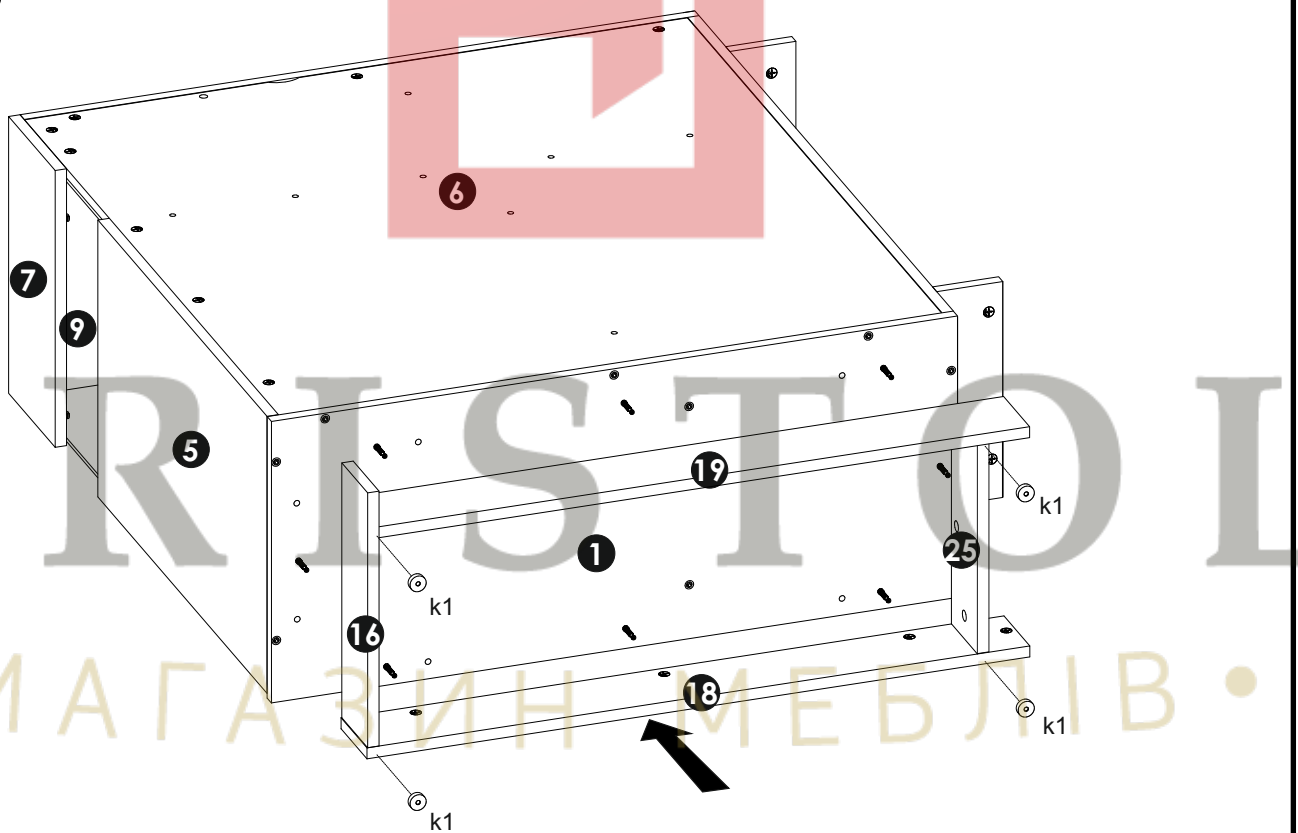
16



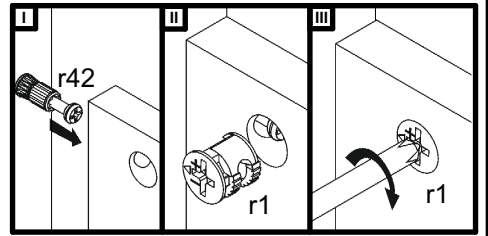
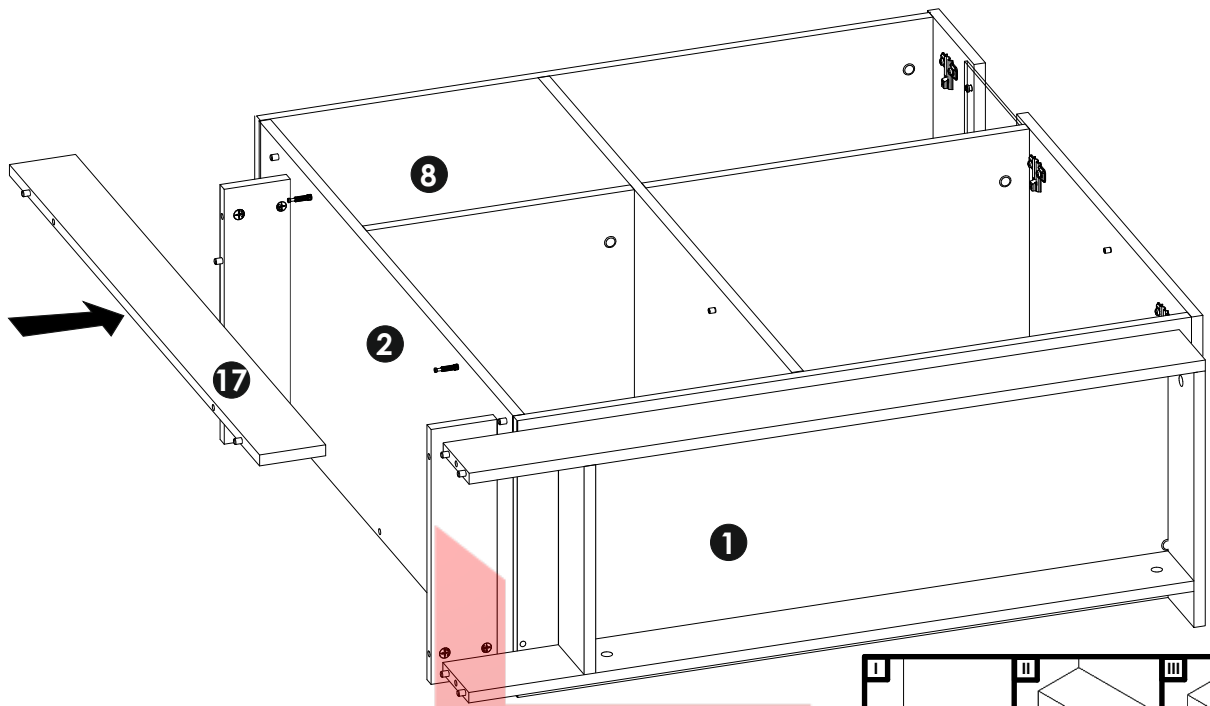
17



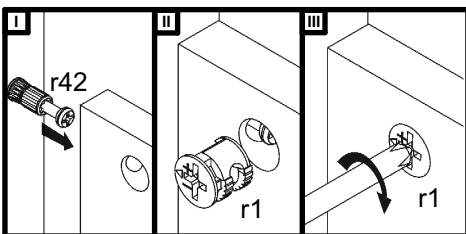
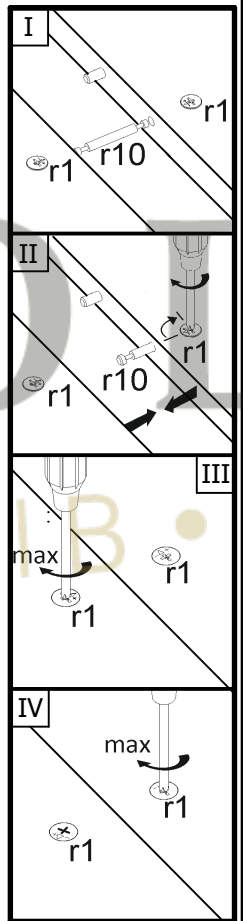
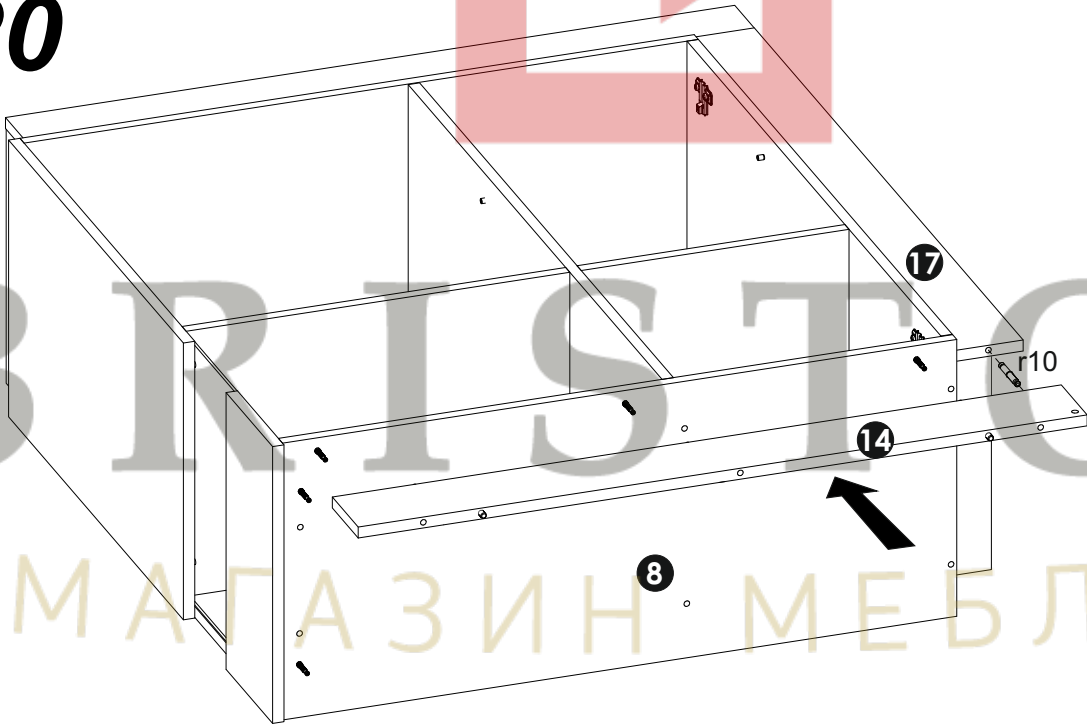
18



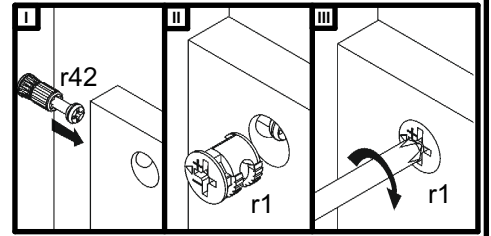
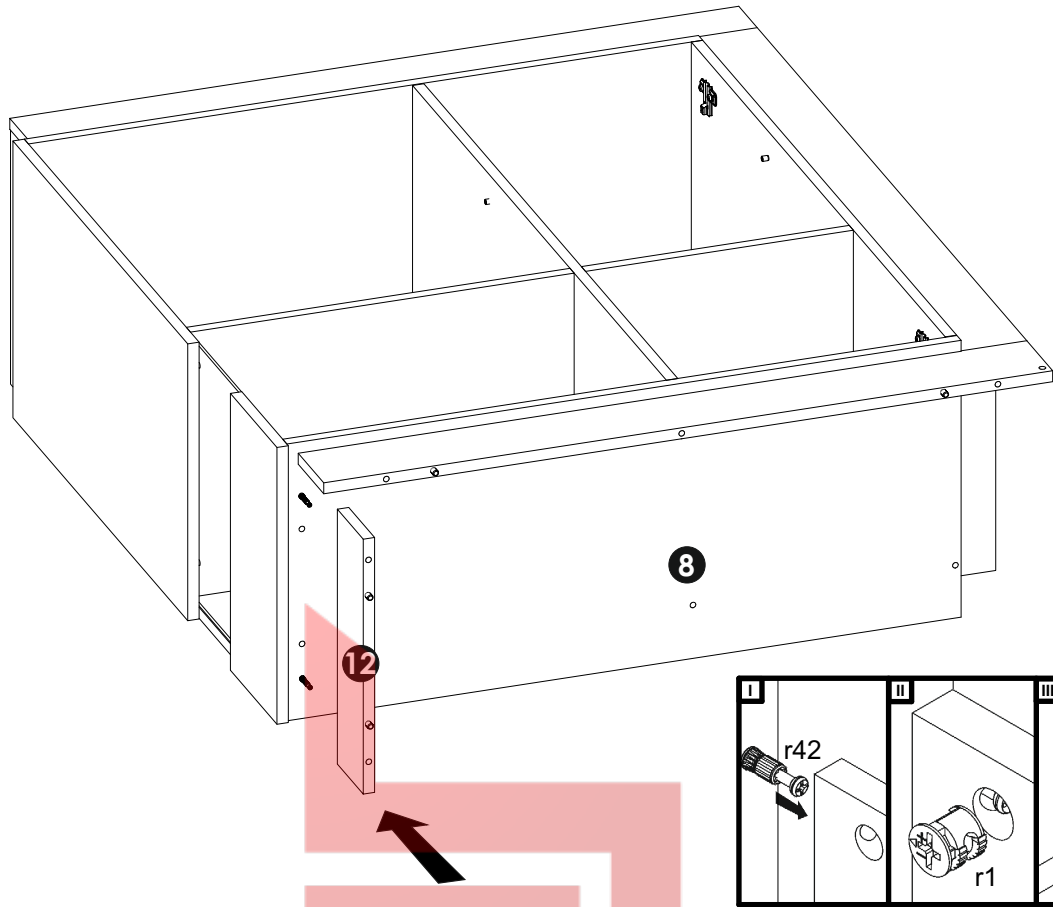
19



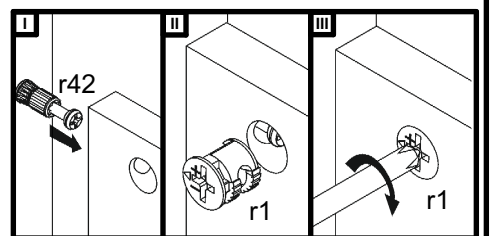
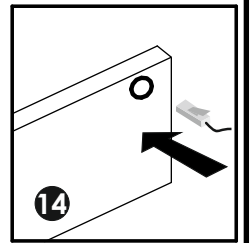
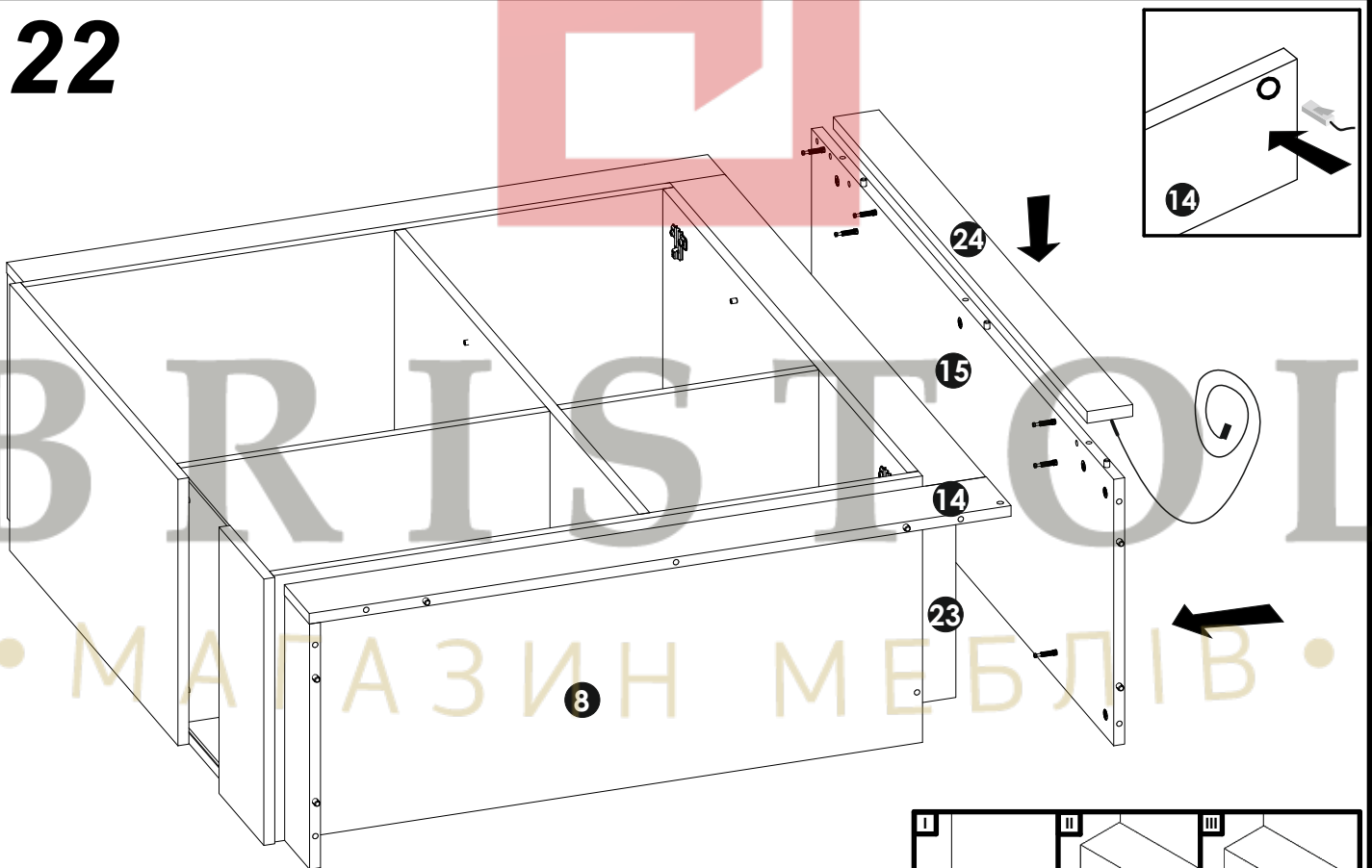
20



21



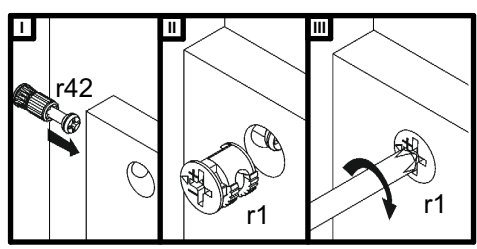
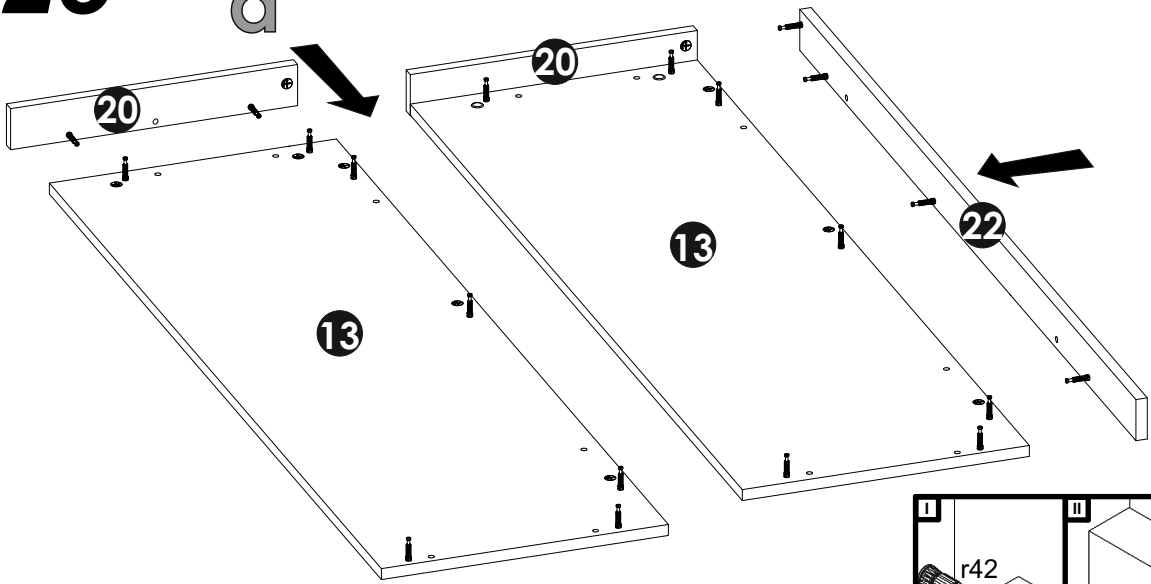
22



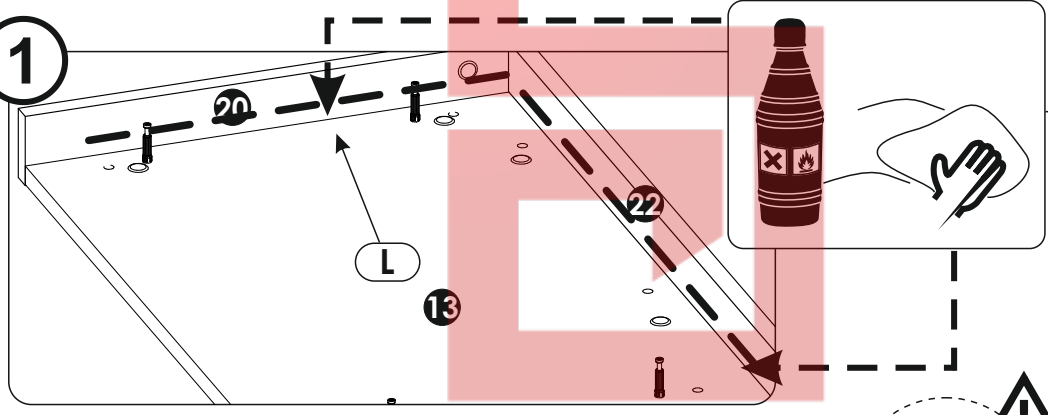
23

a

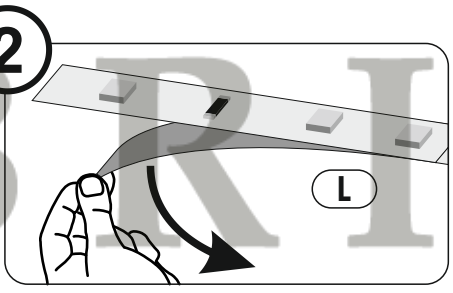
b



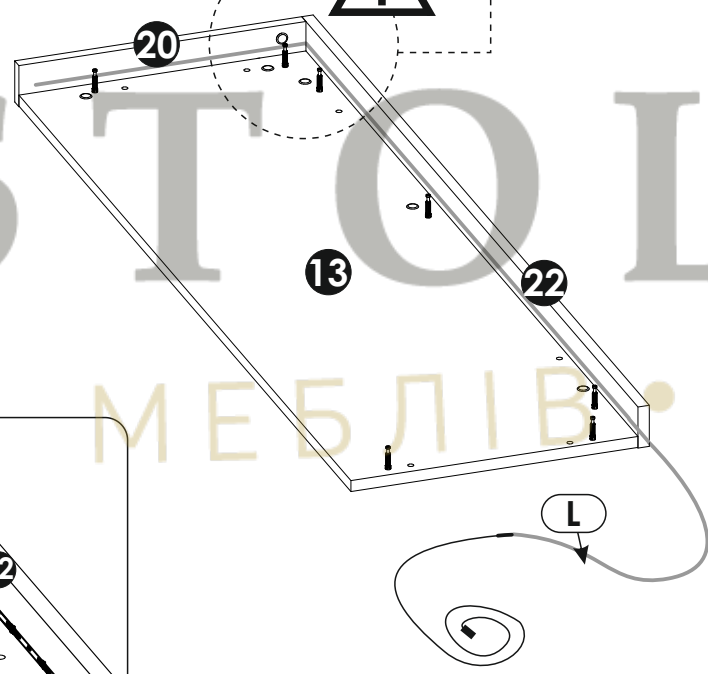
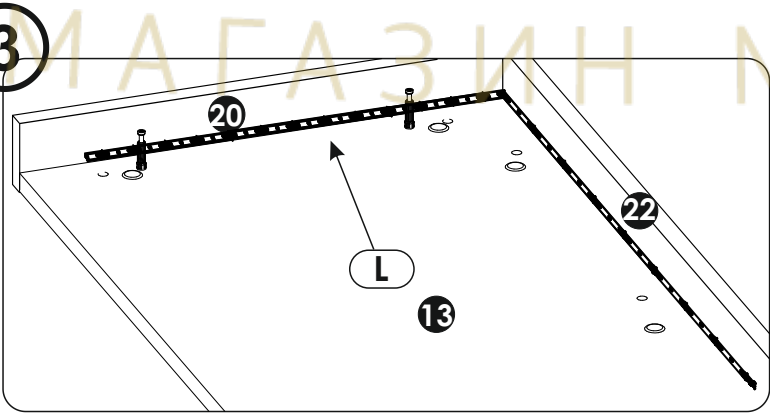
1



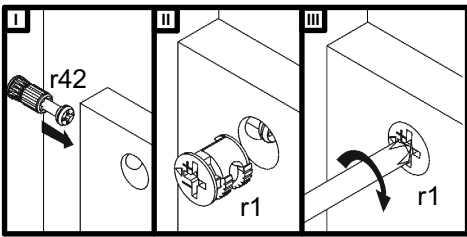
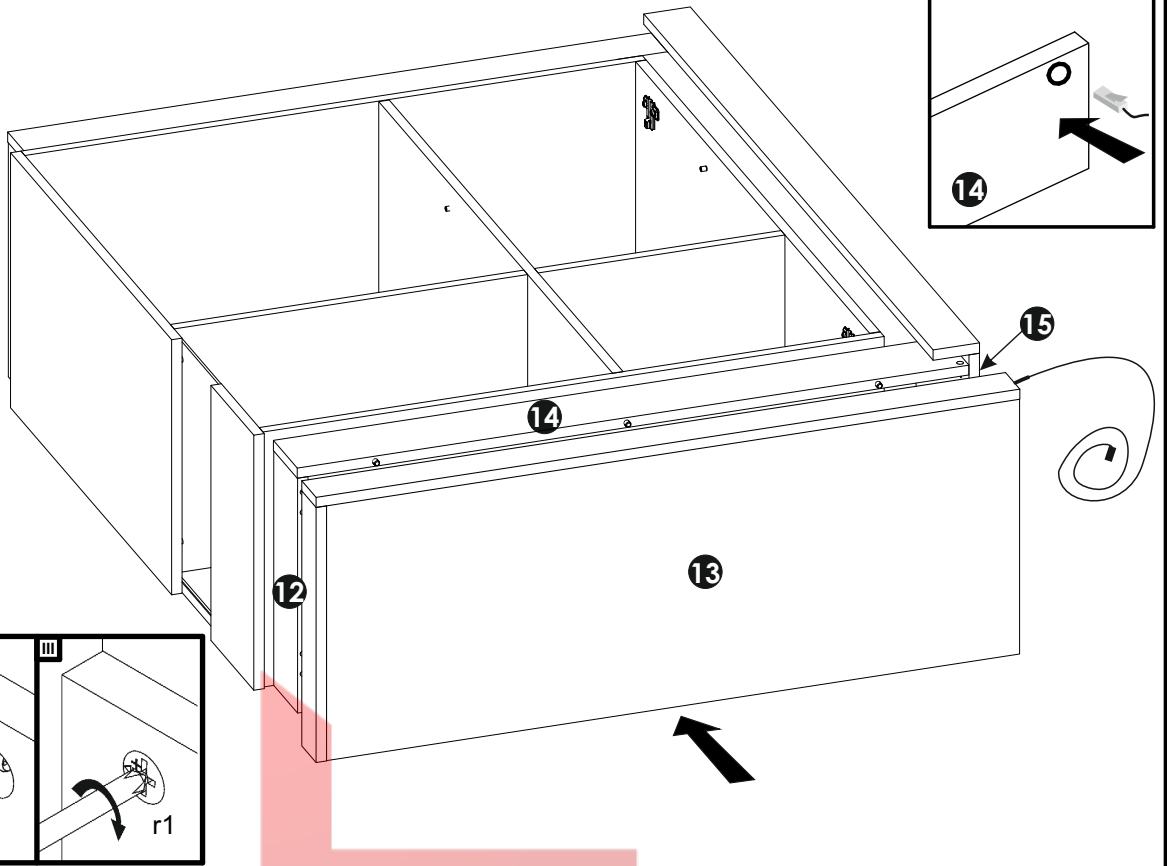
2



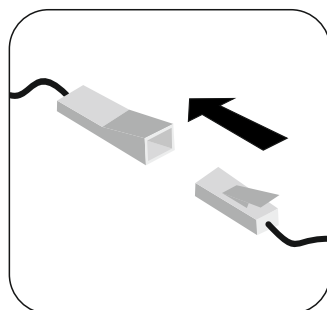
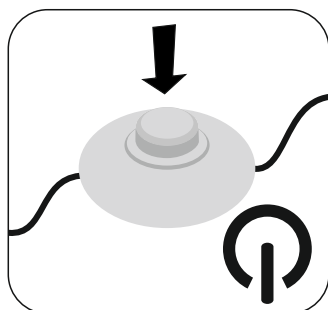
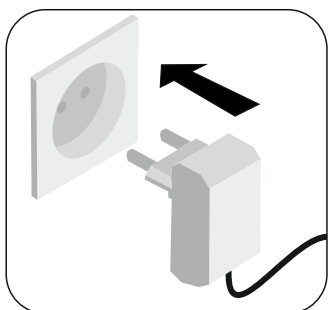
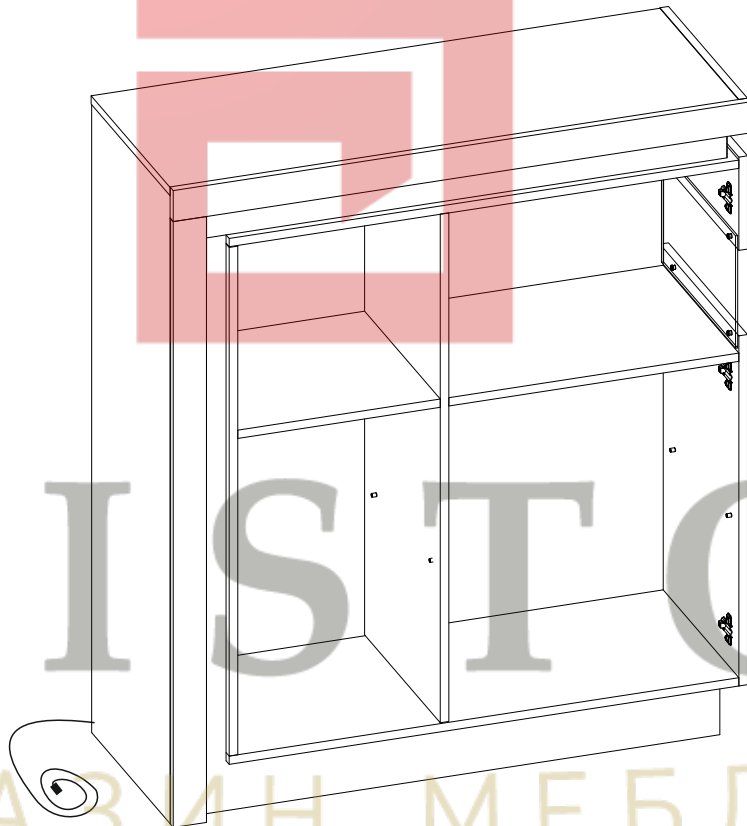
3



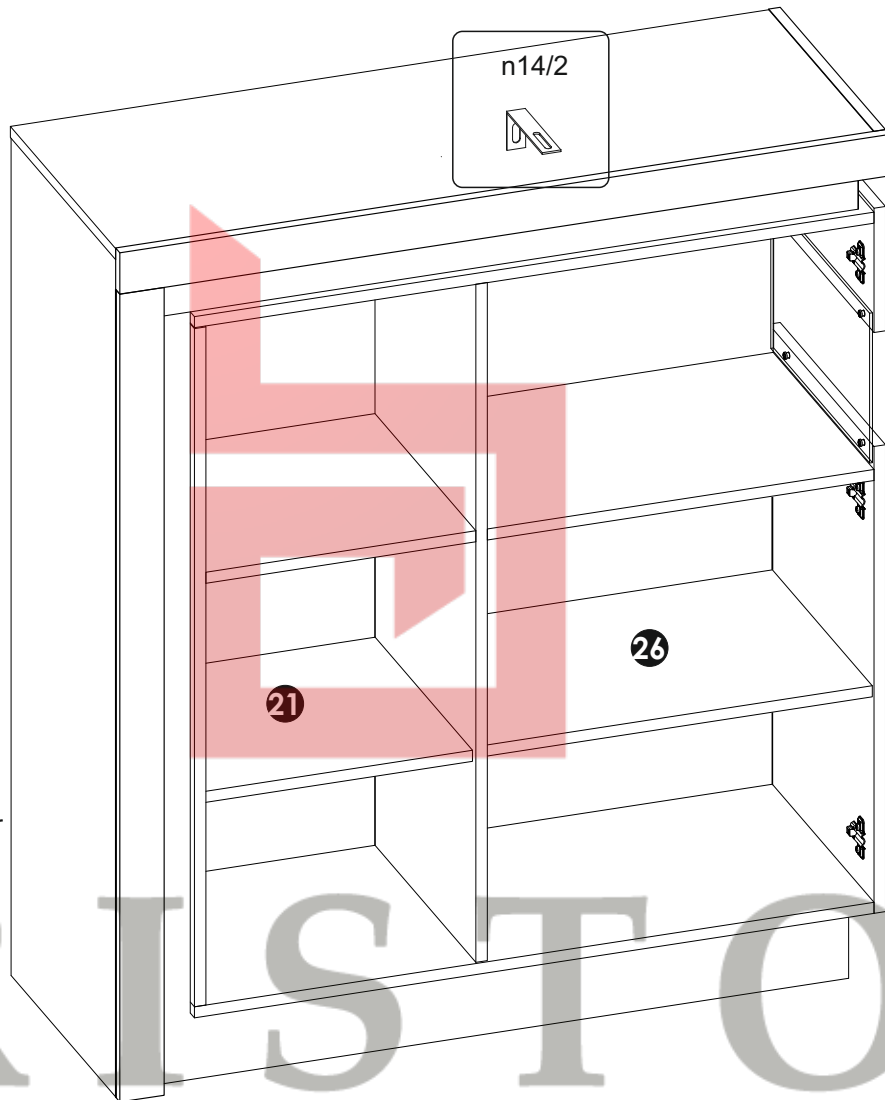
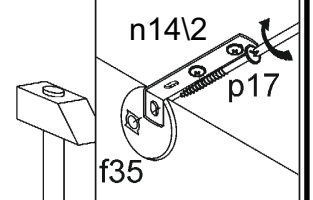
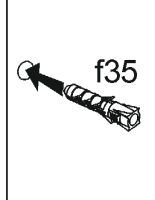
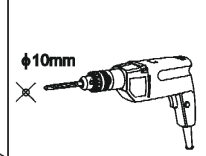
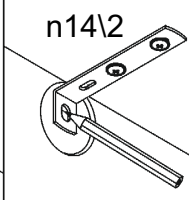
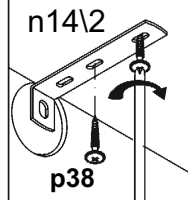
24



25

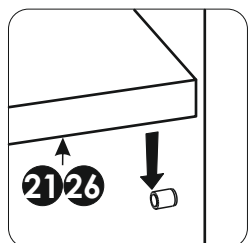


26

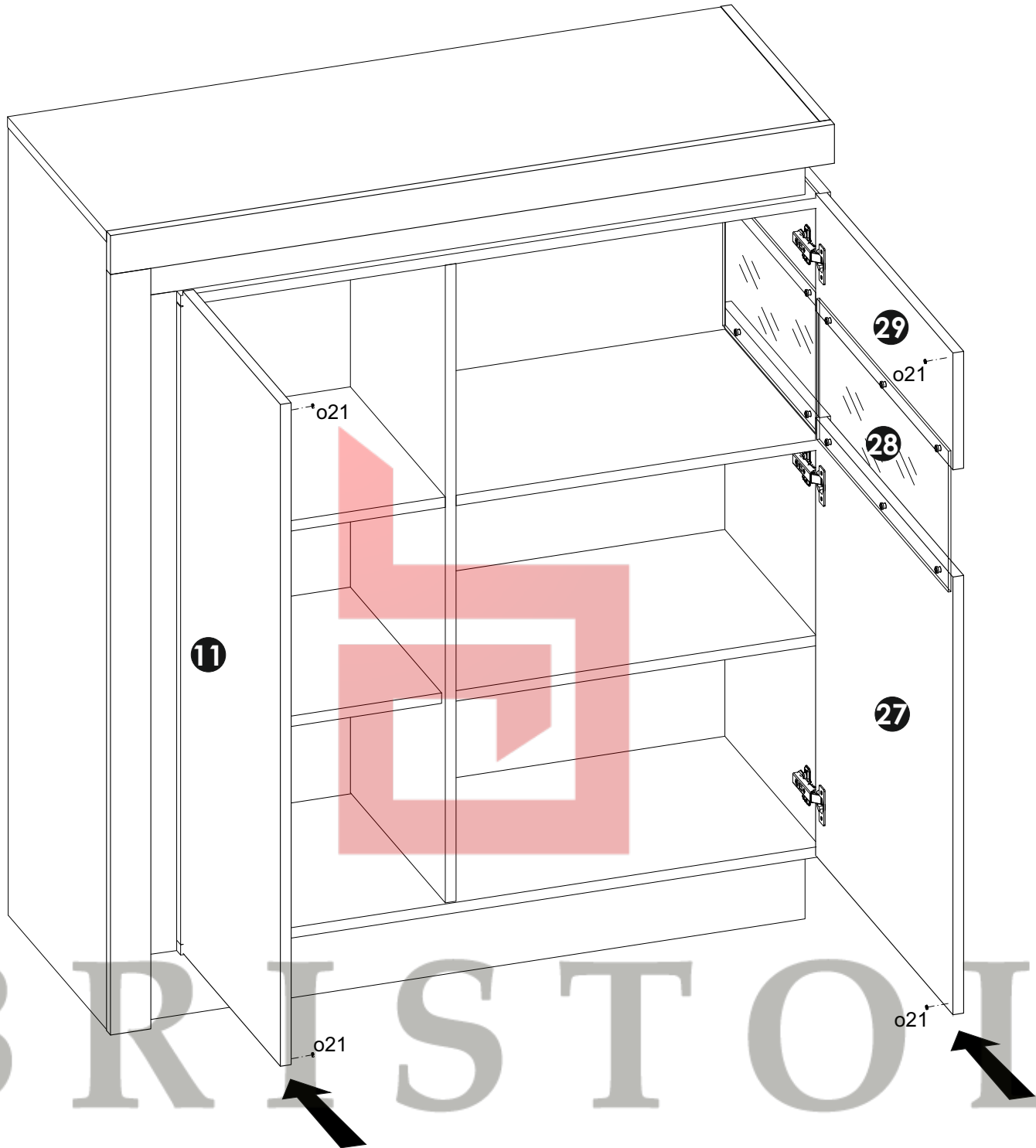


BRISTOL

• МАГАЗИН МЕБЛІВ •



27



BRISTOL
• МАГАЗИН МЕБЛІВ •

