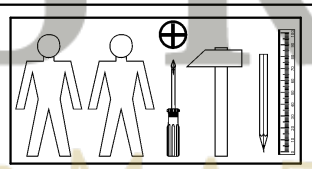
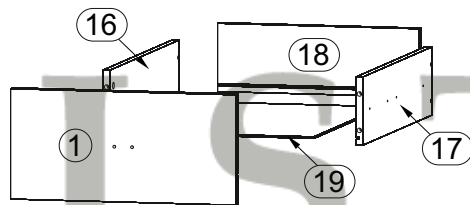
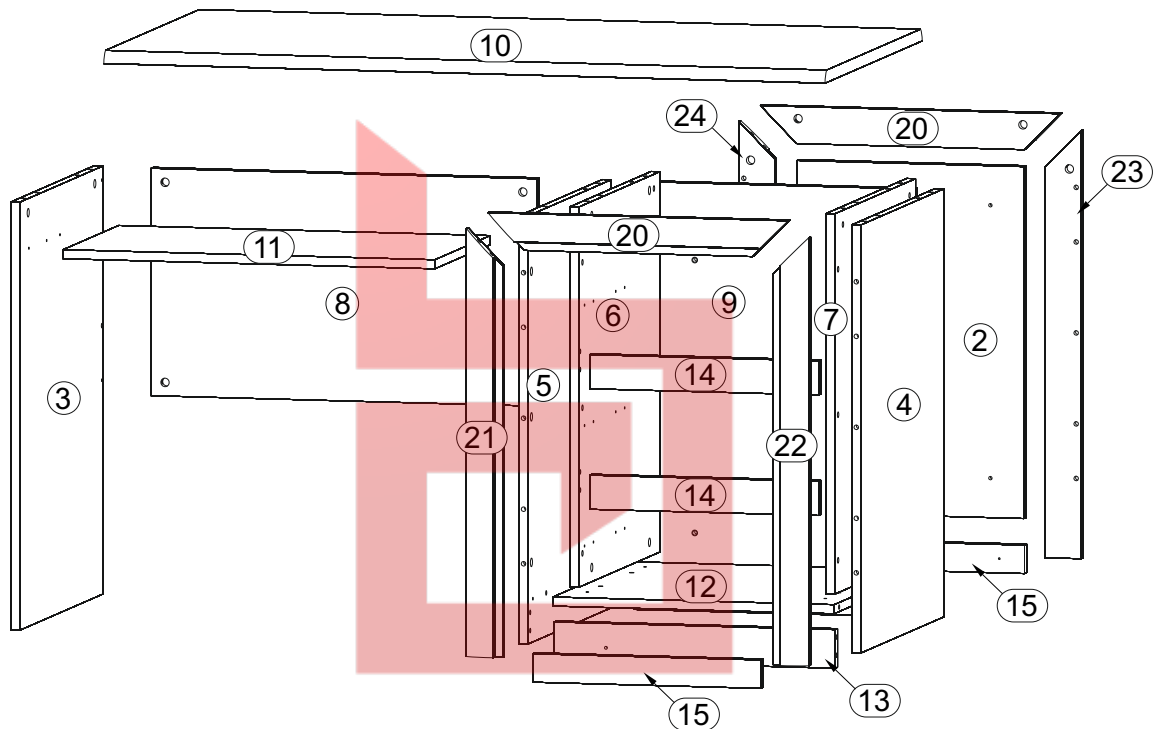
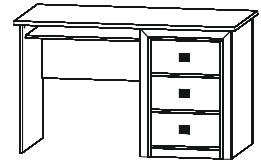
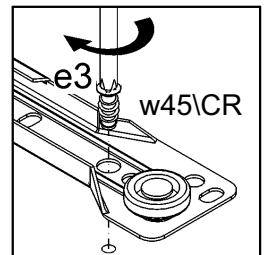
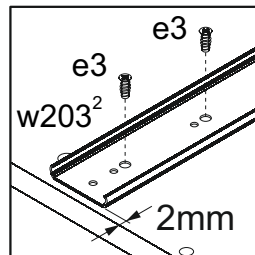
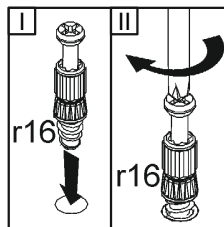
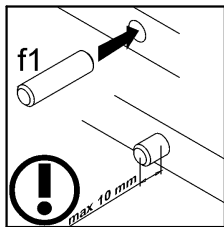
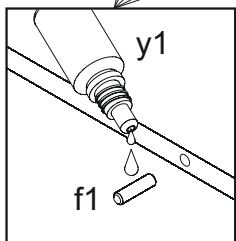
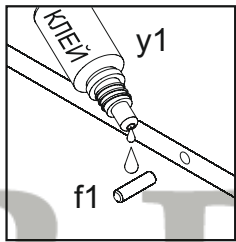
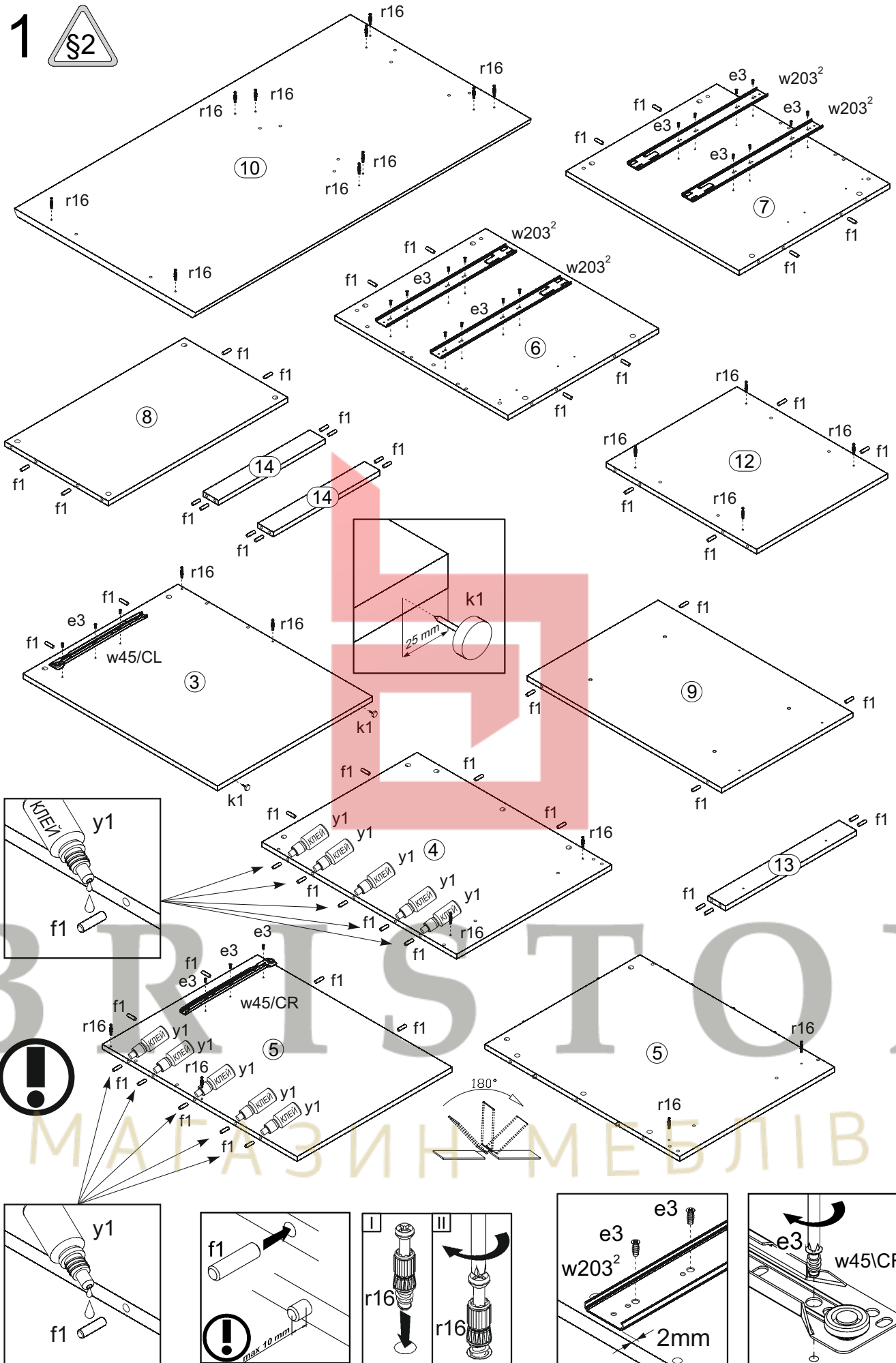


A	B	C		D	A	B	C		D
1	S136-0052	406	194	4/4	13	S136-447	507	68	2/4
2	S136-555	619	409	4/4	14	S136-449	413	60	1/4
3	S136-181	753	600	2/4	15	S136-448	411	50	1/4
4	S136-180	753	600	2/4	16	S136-5509	500	120	2/4
5	S136-179	753	600	2/4	17	S136-5510	500	120	2/4
6	S136-1122	669	583	1/4	18	S136-5520	355	120	1/4
7	S136-1123	669	583	1/4	19	S136-943	499	370	2/4
8	S136-451	695	400	1/4	20	S136-5570	541	65	3/4
9	S136-5568	753	507	2/4	21	S136-550	753	65	3/4
10	S136-226	1300	700	1/4	22	S136-551	753	65	3/4
11	S136-342	670	400	1/4	23	S136-556	753	65	3/4
12	S136-341	507	583	2/4	24	S136-557	753	65	3/4

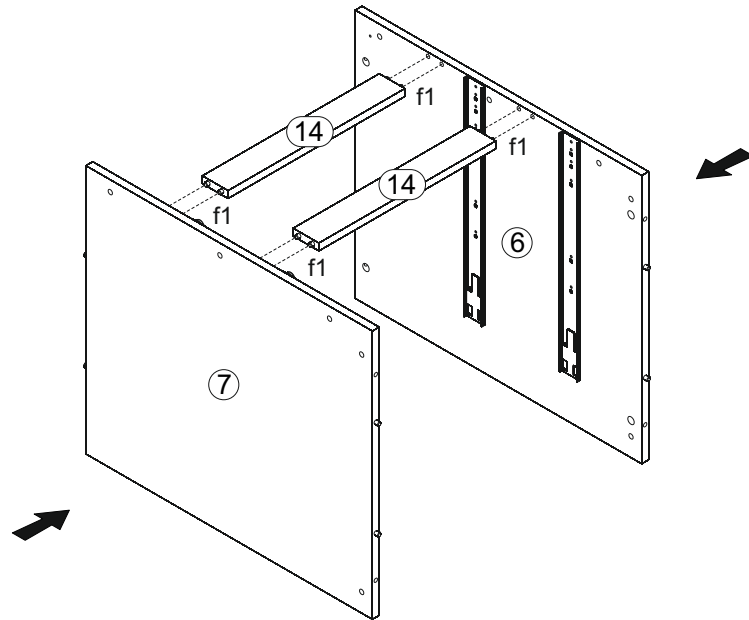


3x c317	30x e3 φ6x13 mm	4x e22 φ7x28 mm	12x e32 φ5x50 mm	56x f1 φ8x30 mm	6x j30 M4x22 mm	6x k1	4x p27 φ3,5x13 mm	4x p94 φ4x28 mm
24x p140 φ3,5x12 mm	48x r1 φ15x12mm #16	4x r10	40x r16 20/9	18x s2 φ16	1x w45 ^{CL} 350 mm	1x w45 ^{CR} 350 mm	1x w45 ^{DL} 350 mm	1x w45 ^{DR} 350 mm
6x w203 ¹ 500 mm	6x w203 ² 500 mm	1x y1 Клей	1x z1					

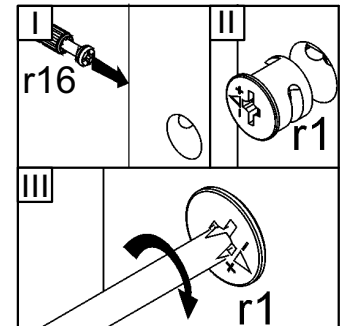
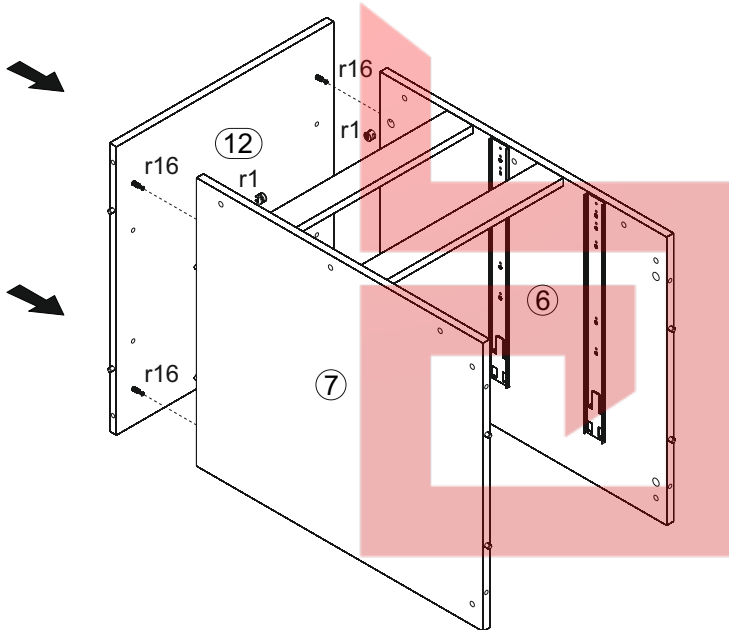
1 



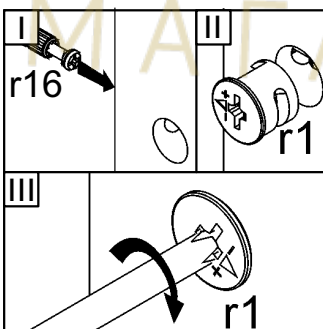
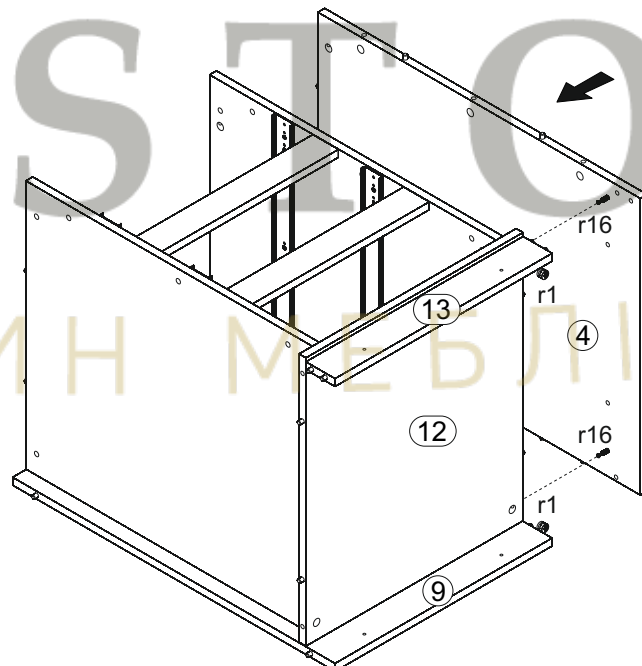
2



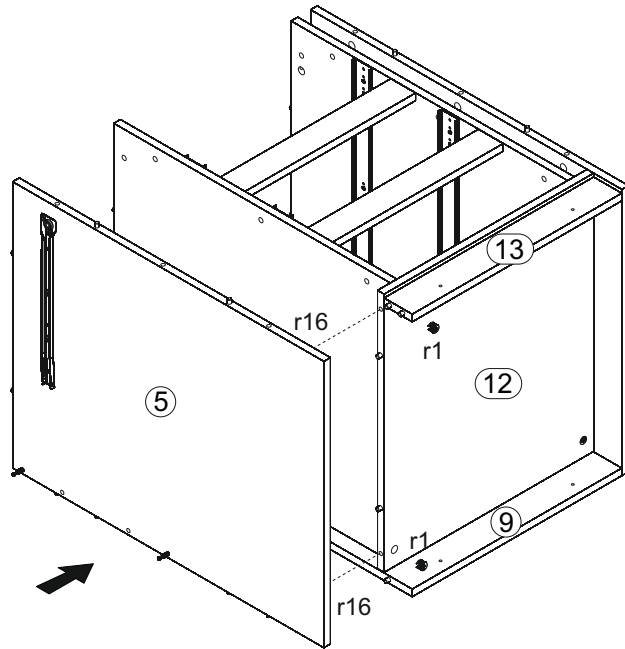
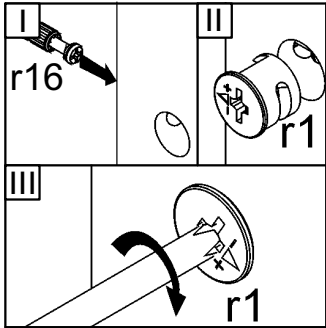
3



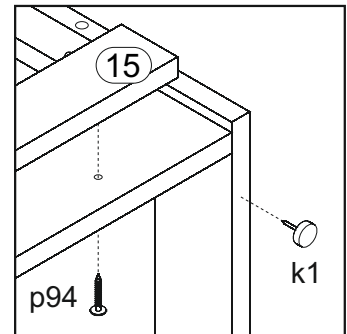
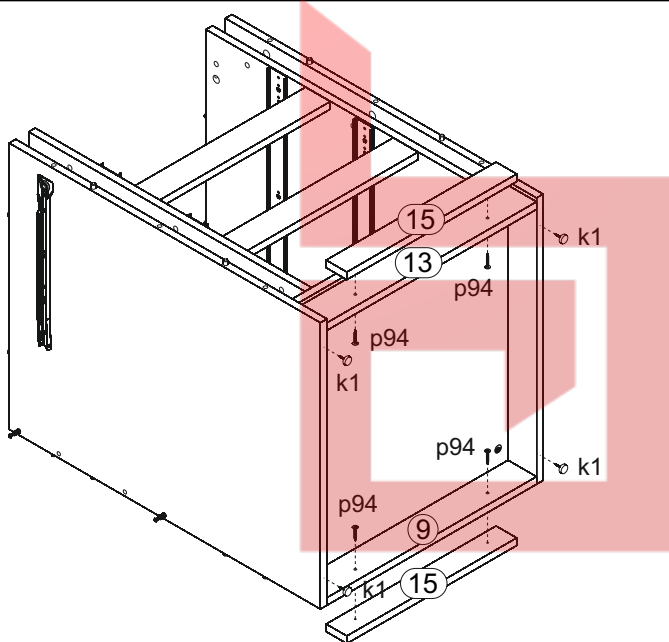
4



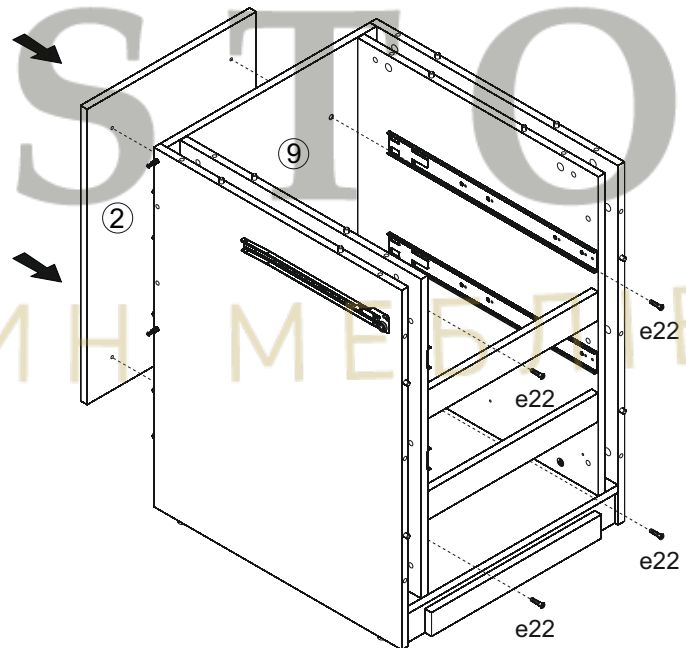
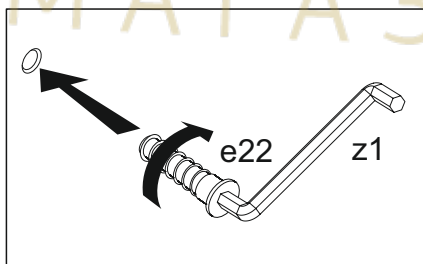
5



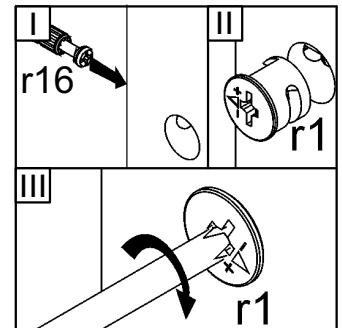
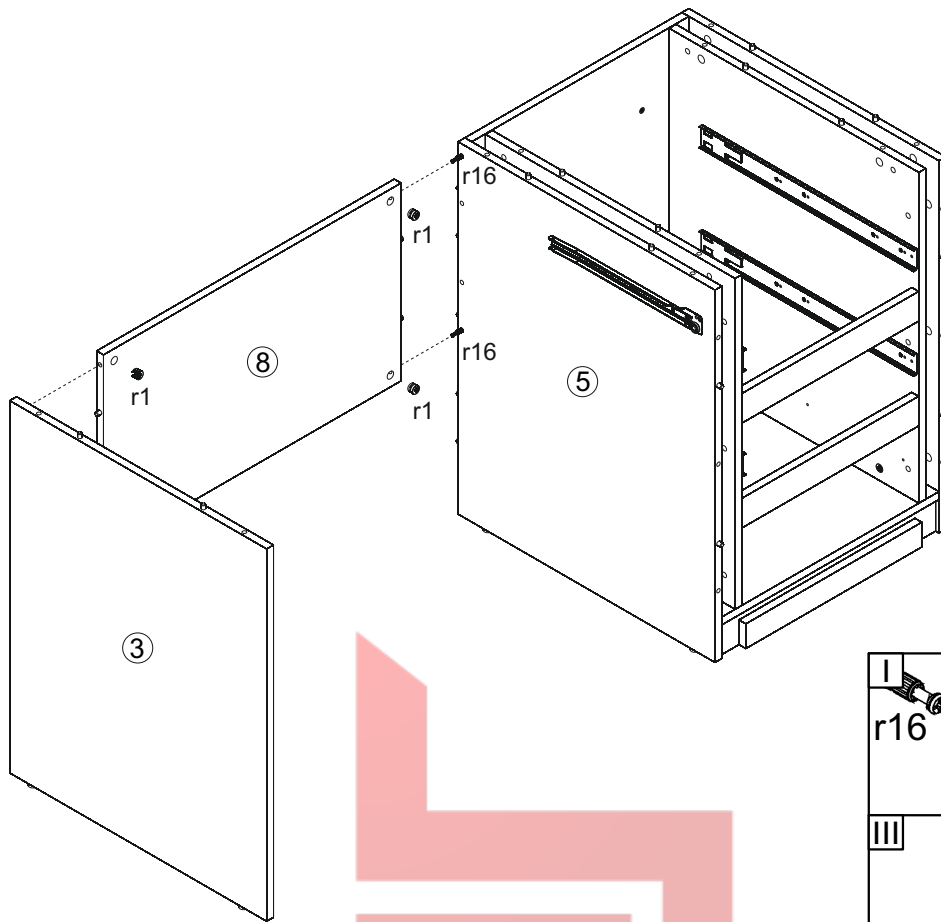
6



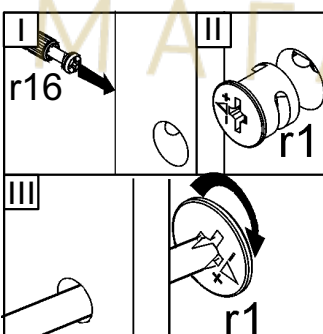
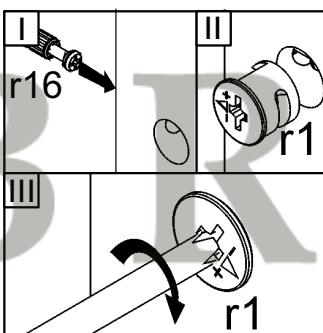
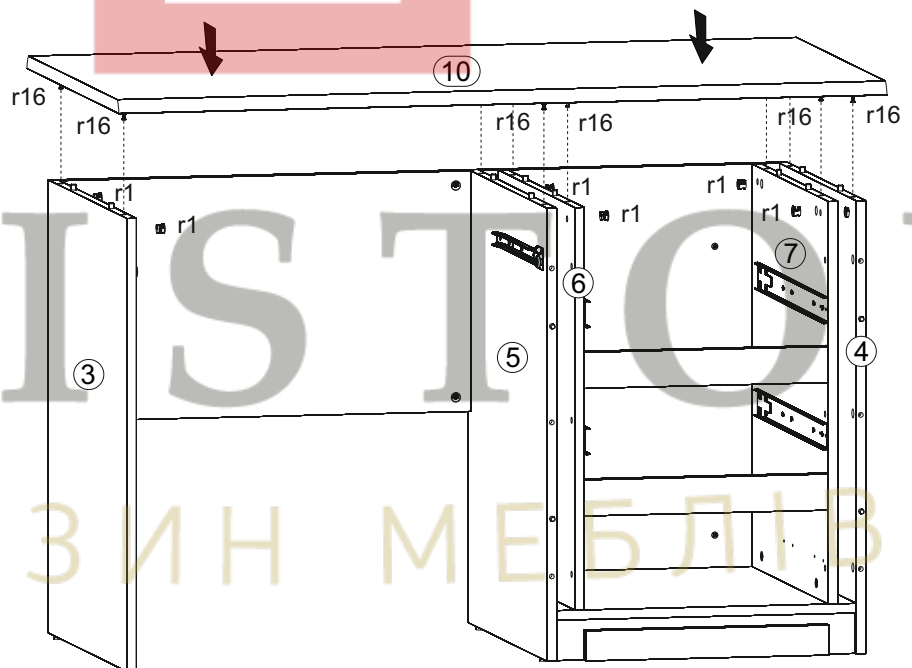
7



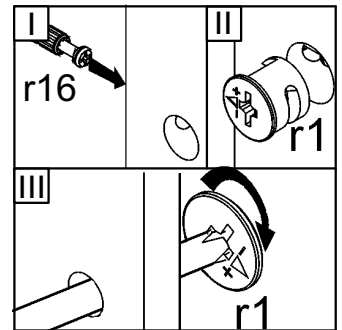
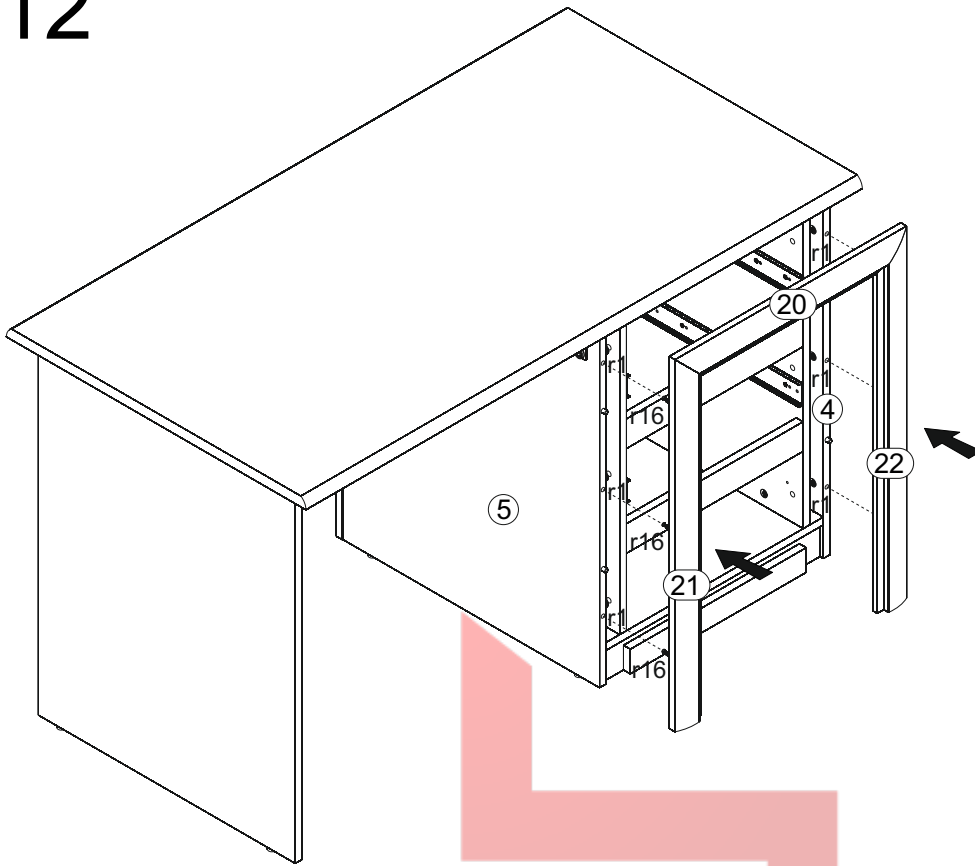
8



9



12



13

