
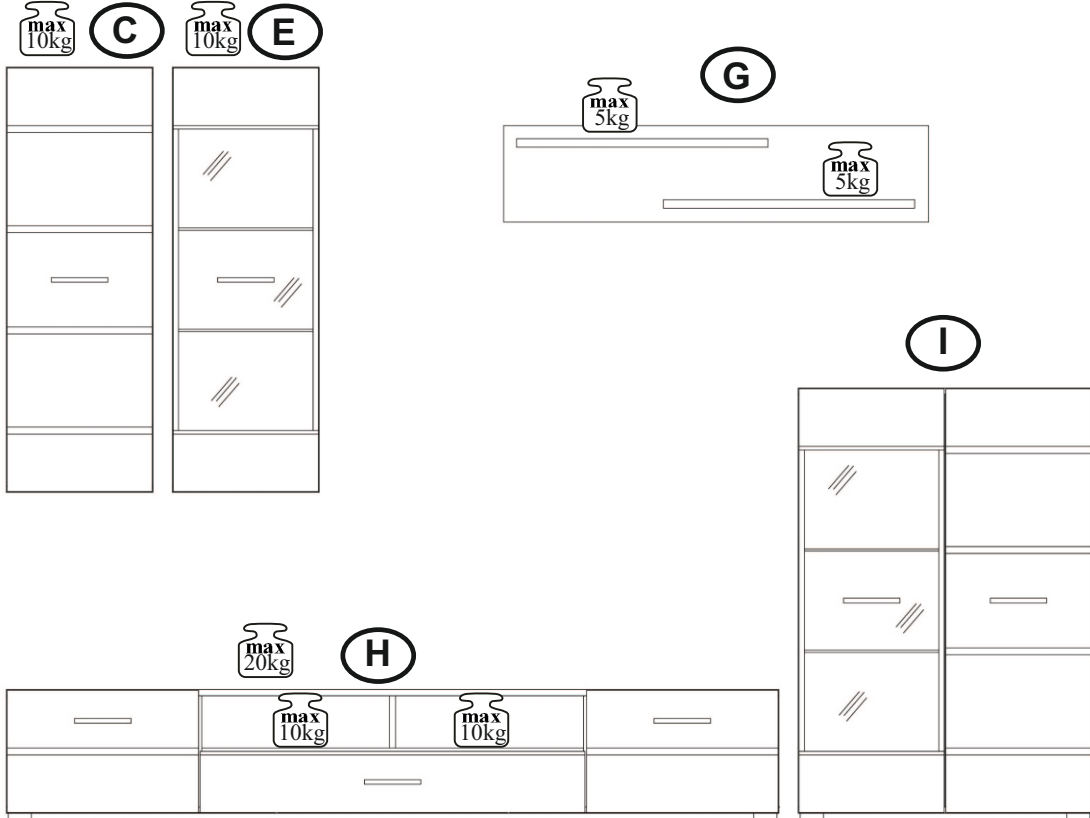

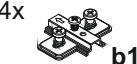
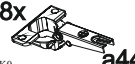
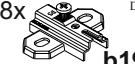

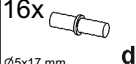


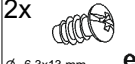

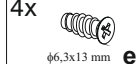



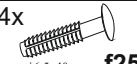




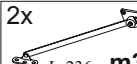






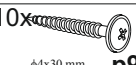
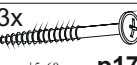
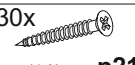



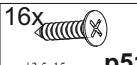





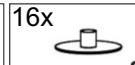





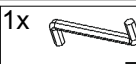
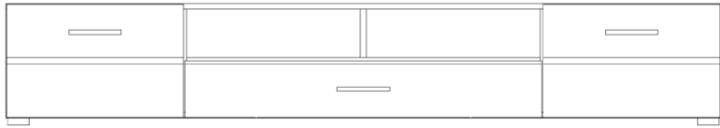


240 min

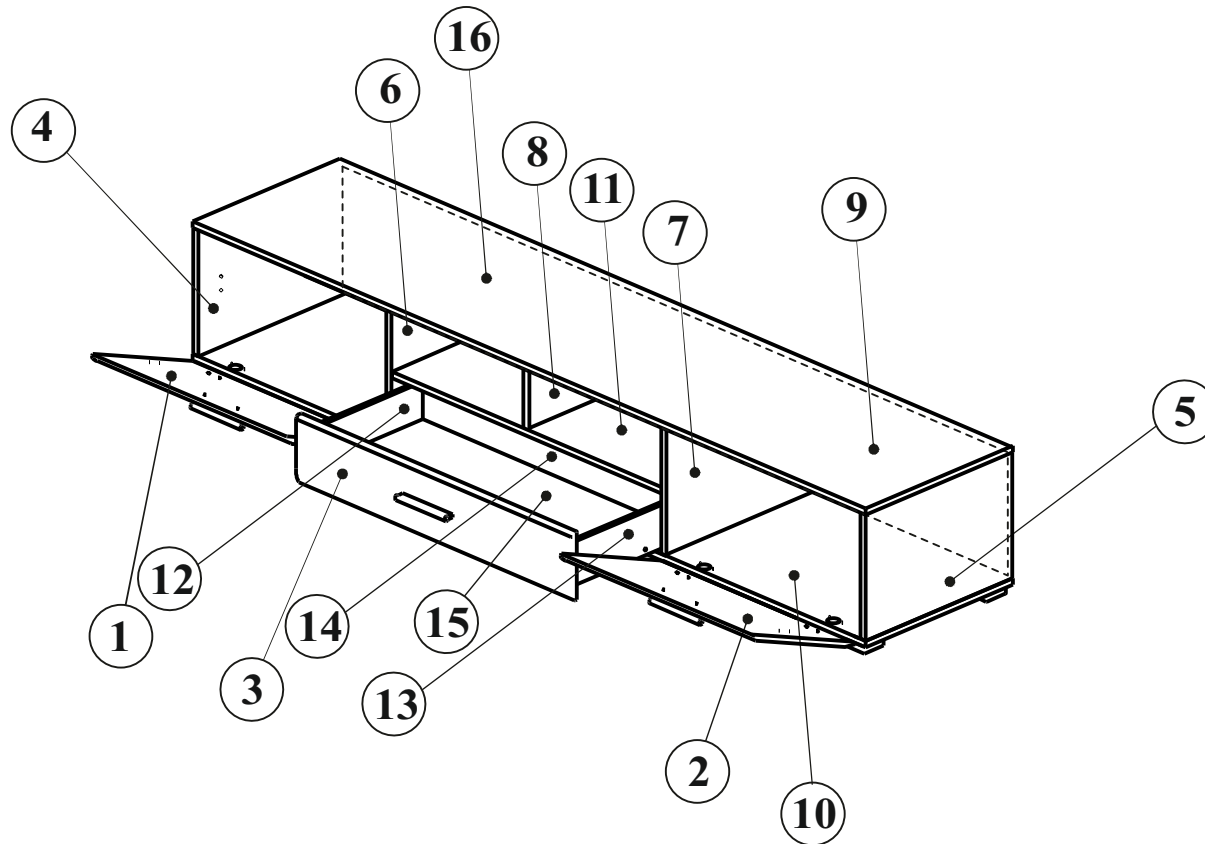





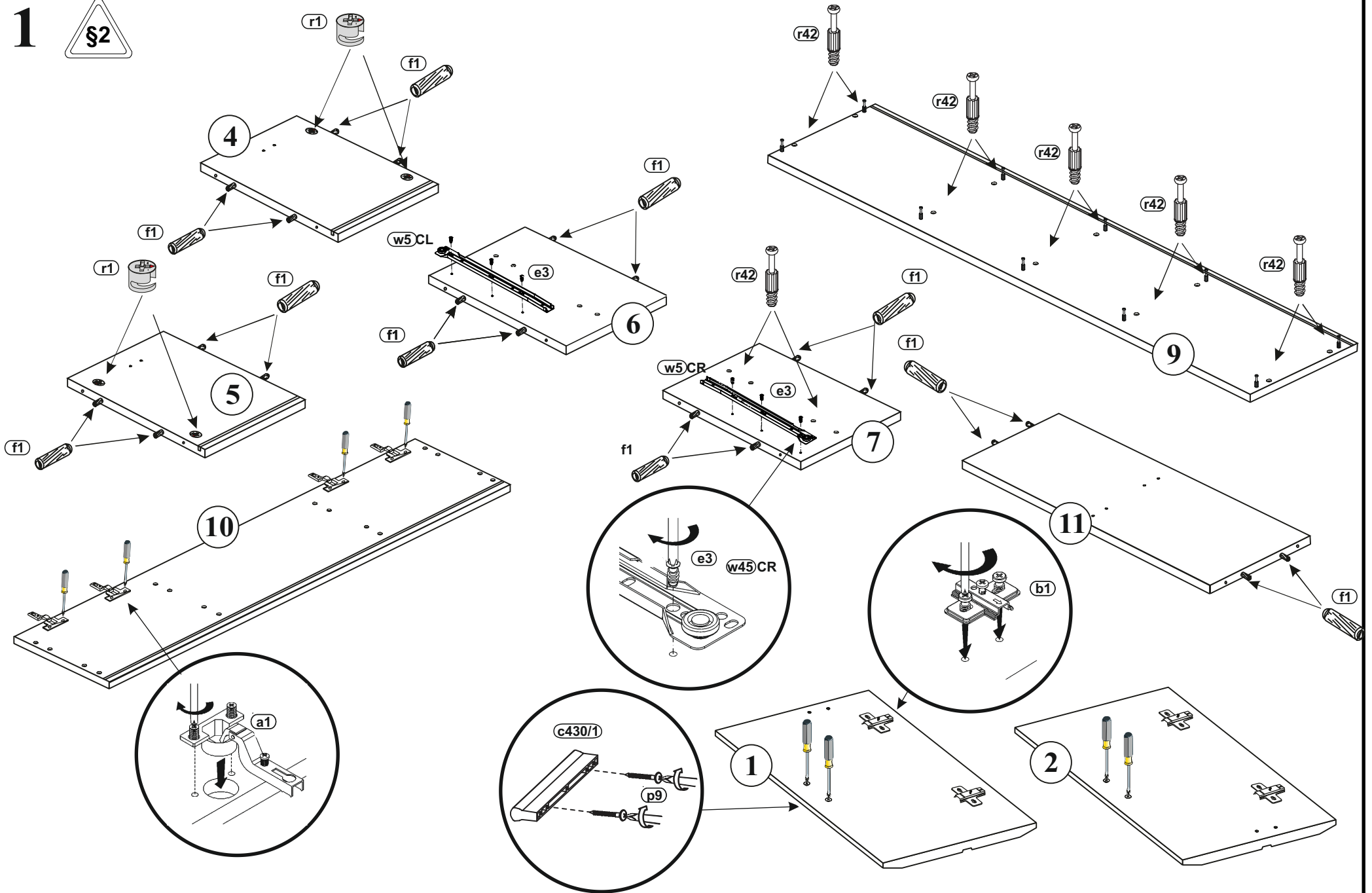
4x  a1		4x  b1		8x  a44		8x  b19		7x  c430/1		16x  d1		16x  d3		34x  e1		2x  e2		6x  e3		4x  e5		4x  e4		4x  e19	
52x  f1		4x  f25		7x  f35		2x  g2		11x  k55		24x  l2		2x  m3		1x  n14		5x  n108		2x  n165L		2x  n165P		16x  o1		2x  o21	
10x  p9		3x  p17		30x  p21		2x  p25		22x  p38		6x  p44		16x  p51		5x  p55		4x  p59		4x  p75		28x  r1		28x  r42		16x  s2	
1x  t14		1x  w5^{DR}		1x  w5^{CR}		1x  w5^{DL}		1x  w5^{CL}		1x  z1															



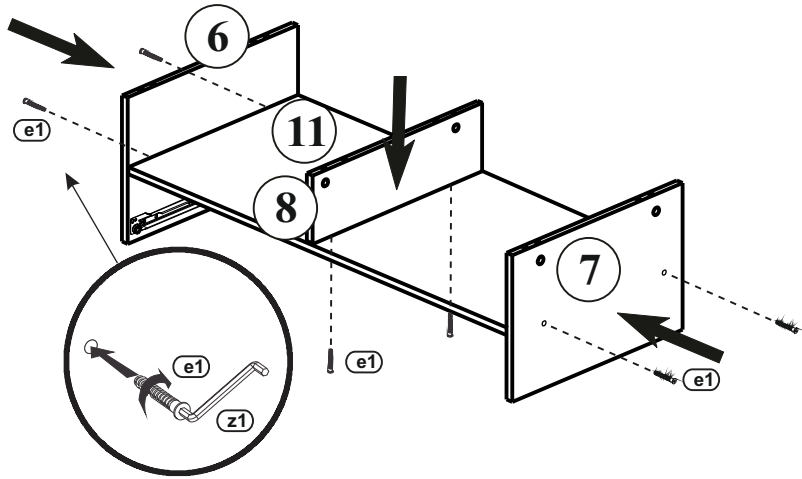
A	B	C (mm)		D
1	N25-001	498	311	1/5
2	N25-002	498	311	1/5
3	N25-003	991	156	1/5
4	N25-101	285	437	1/5
5	N25-102	285	437	1/5
6	N25-103	285	417	1/5
7	N25-104	285	417	1/5
8	N25-105	135	417	1/5
9	N25-201	2000	437	1/5
10	N25-202	2000	437	1/5
11	N25-301	979	417	1/5
12	N25-501	400	90	1/5
13	N25-502	400	90	1/5
14	N25-503	922	90	1/5
15	N25-901	932	400	1/5
16	N25-902	1977	295	1/5



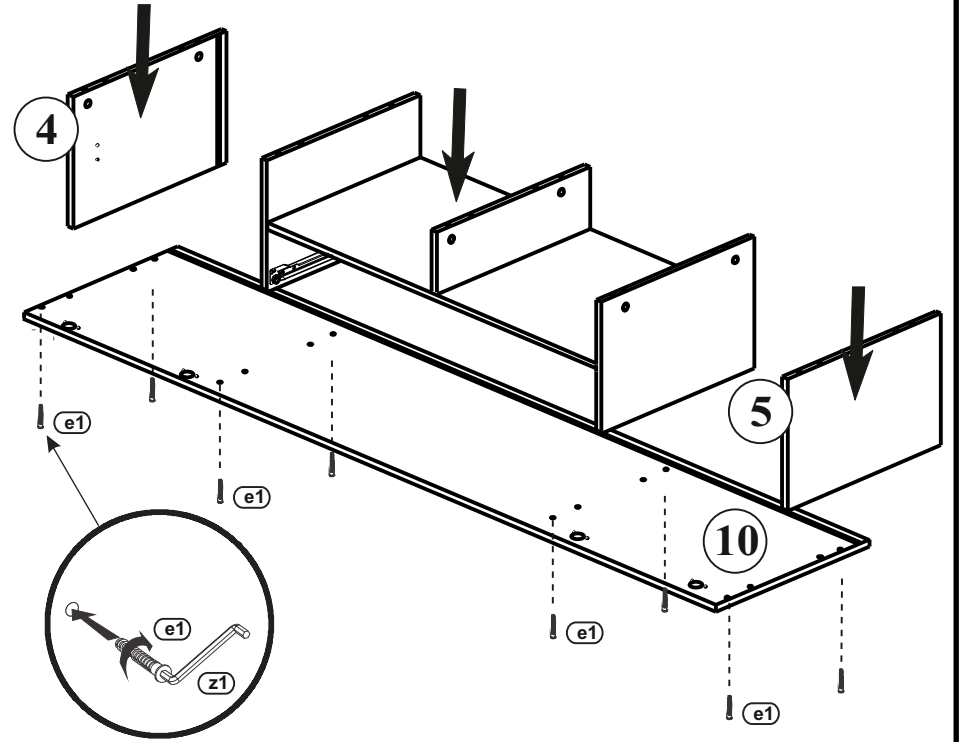
1



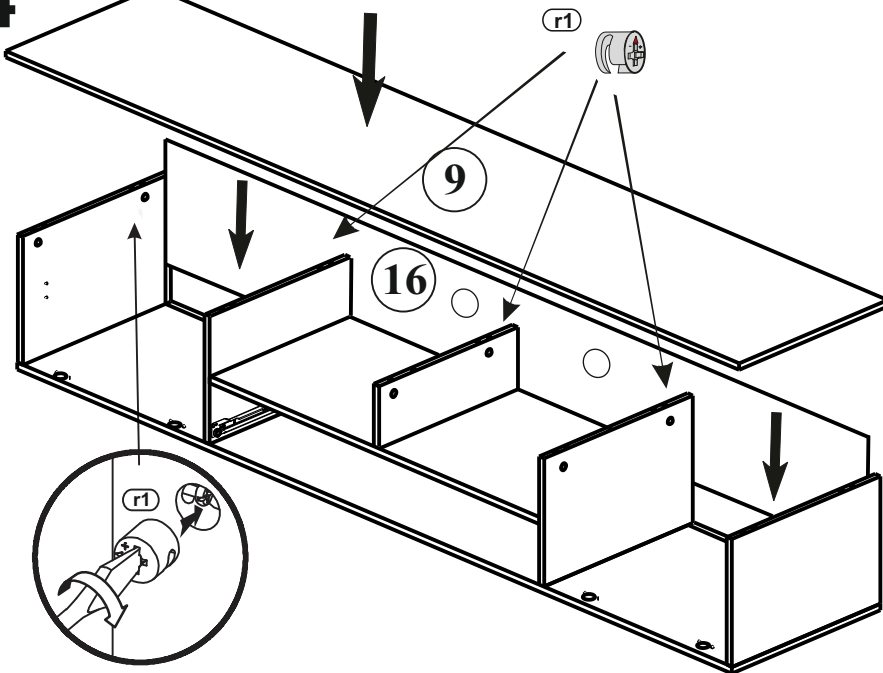
2



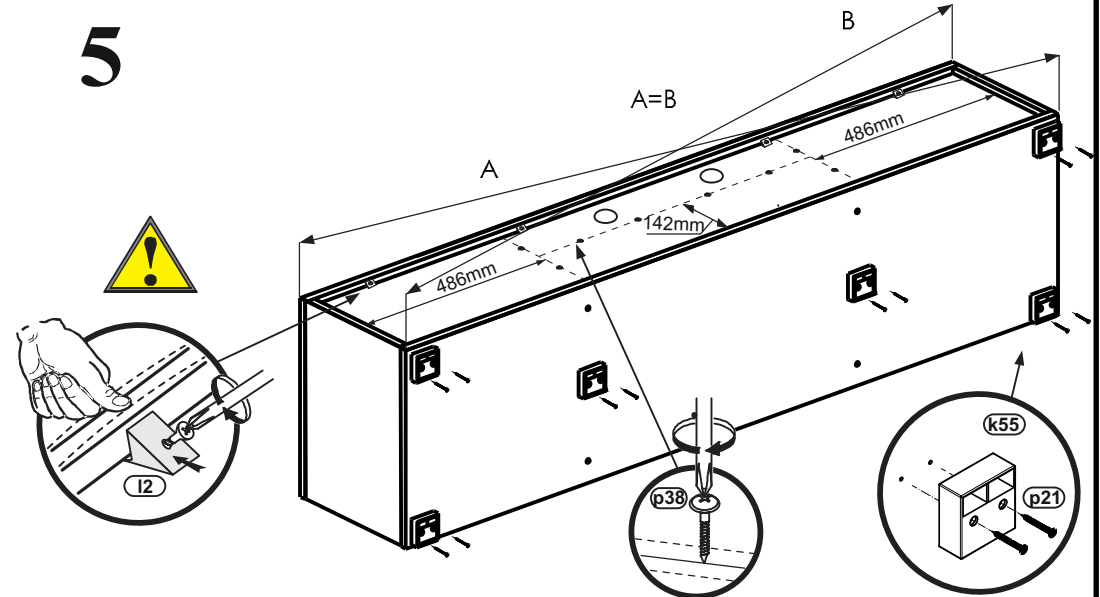
3

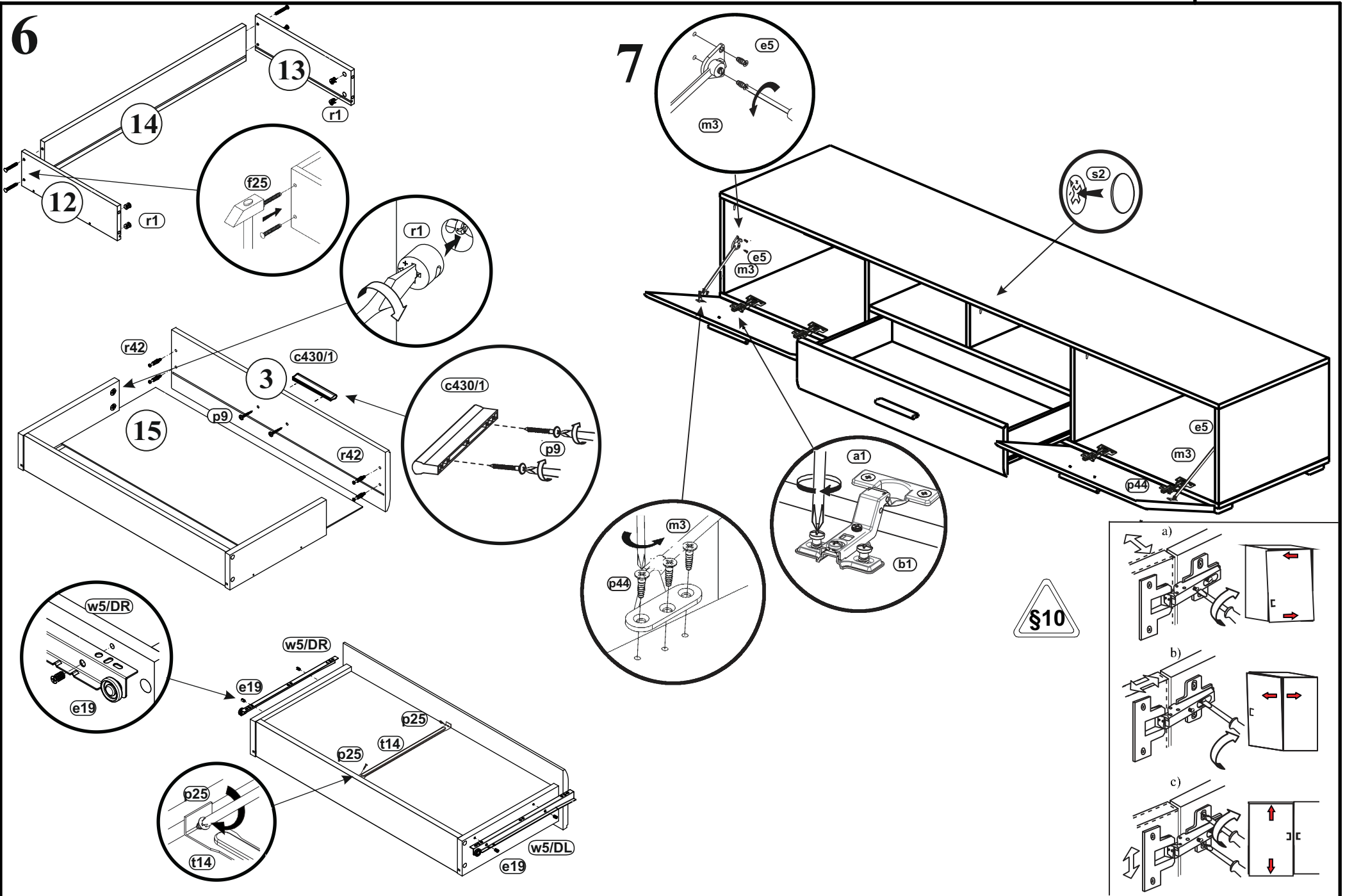


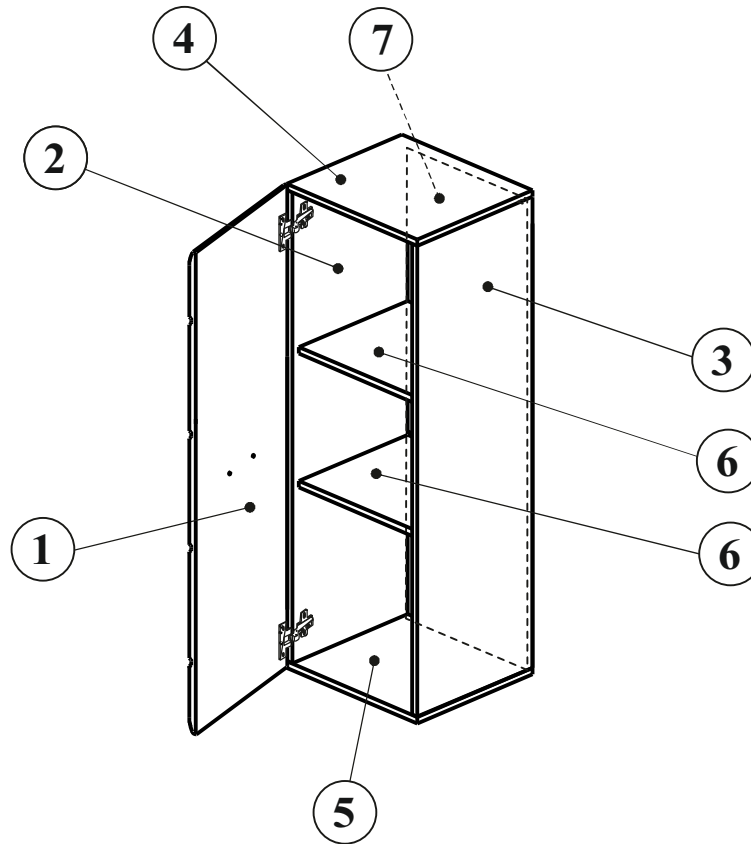
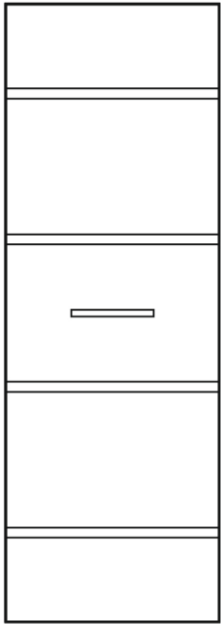
4



5



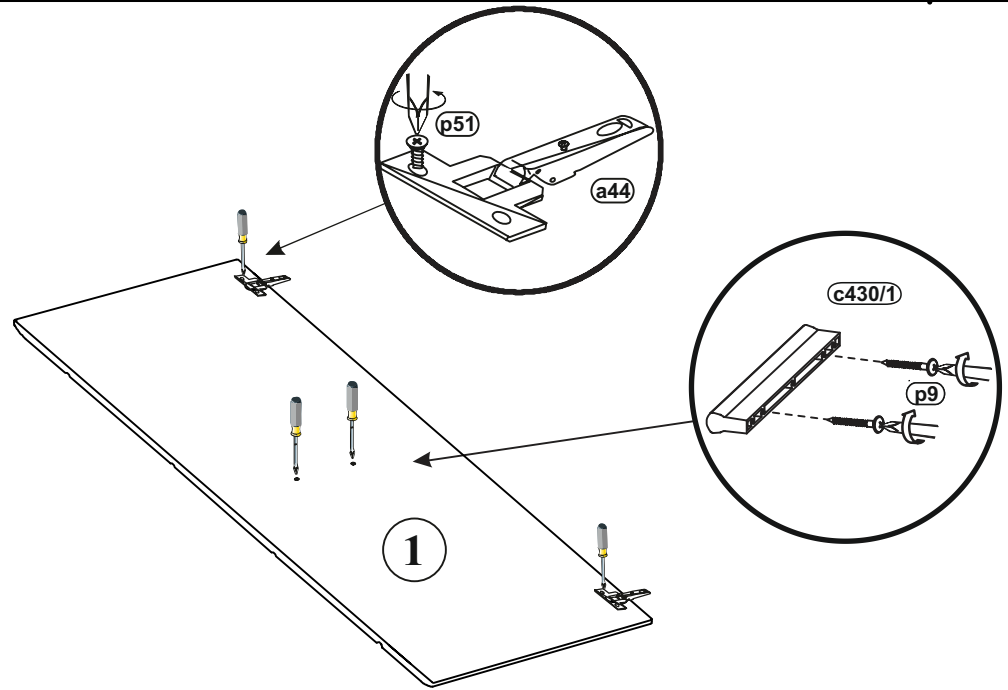
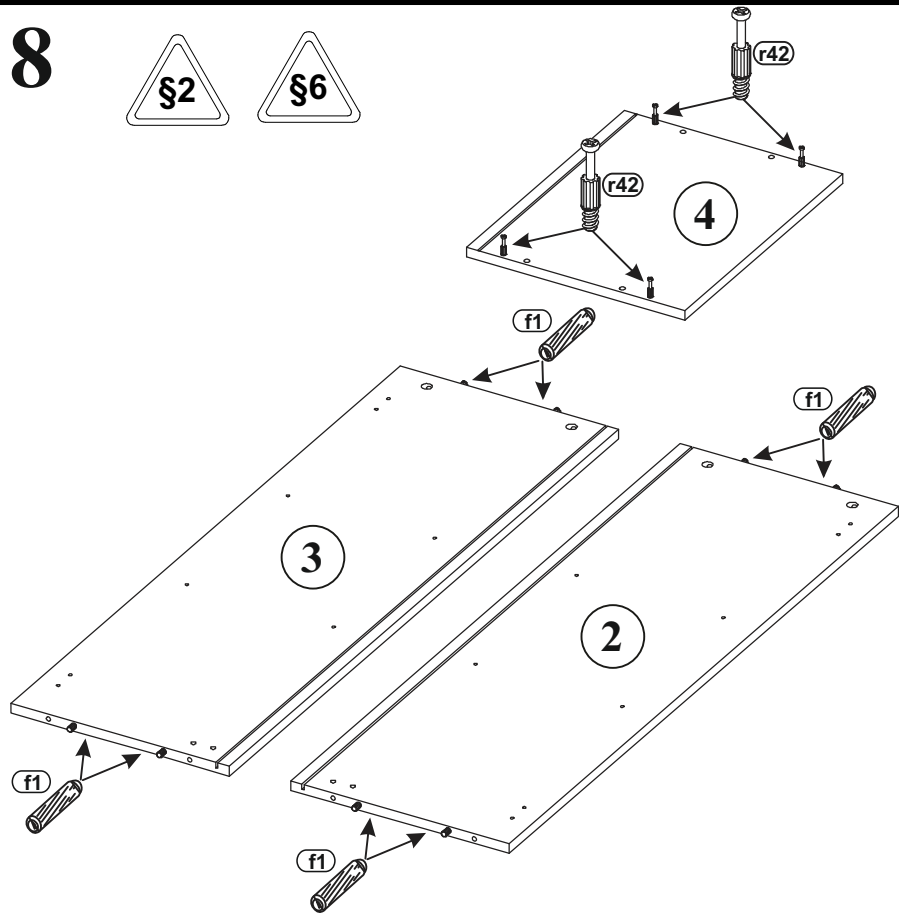




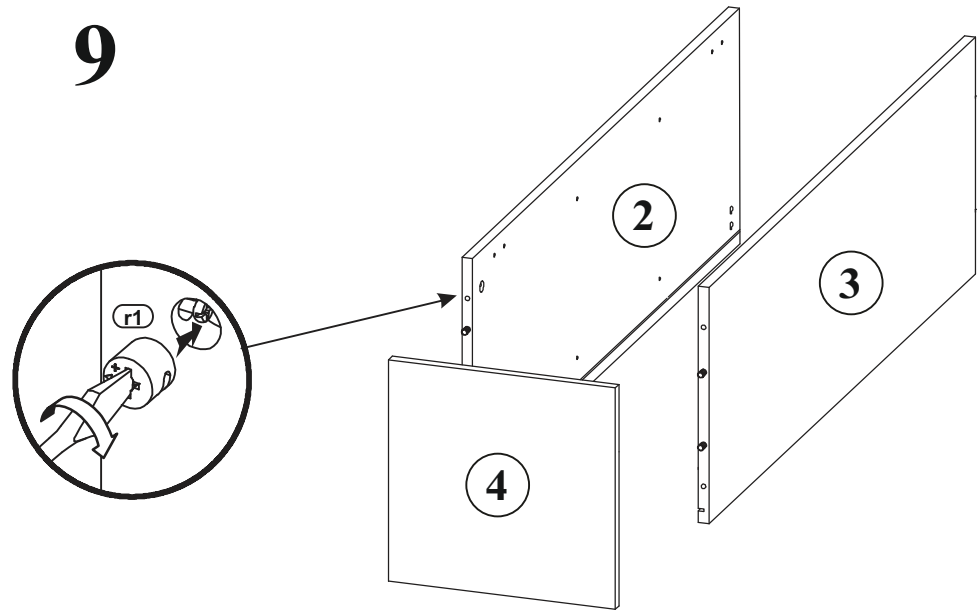
A	B	C (mm)		D
1	N25-004	1094	373	3/5
2	N25-111	1068	337	3/5
3	N25-112	1068	337	3/5
4	N25-203	380	337	3/5
5	N25-204	380	337	3/5
6	N25-303	347	312	3/5
7	N25-906	1078	357	3/5



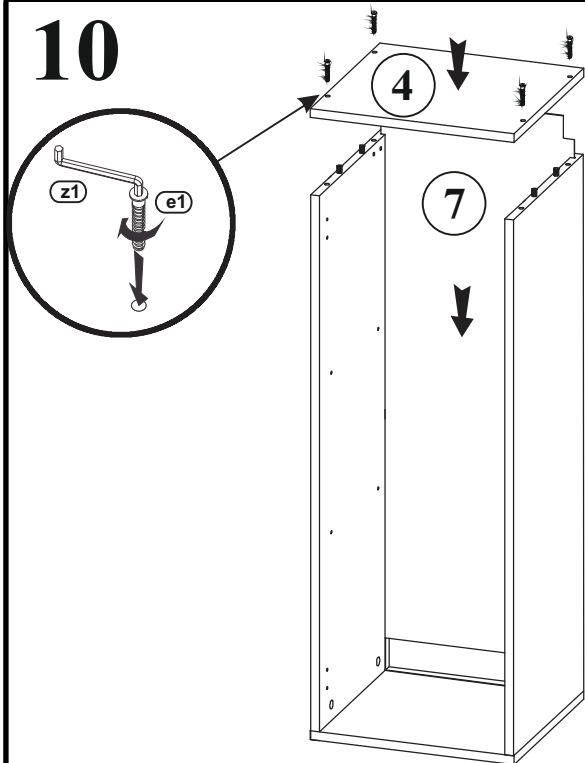
8



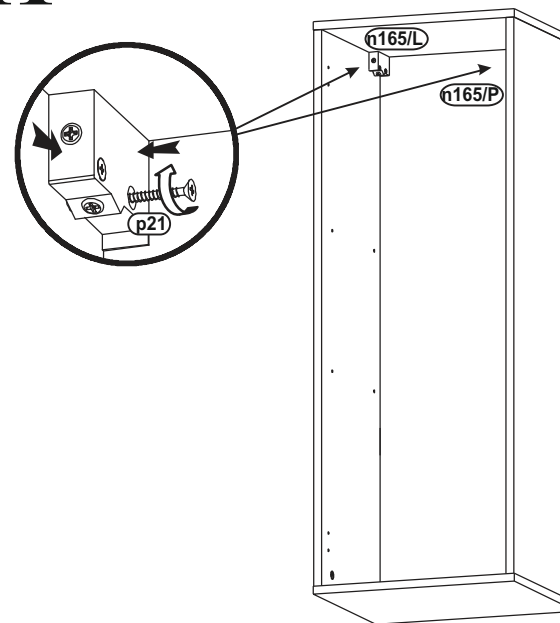
9



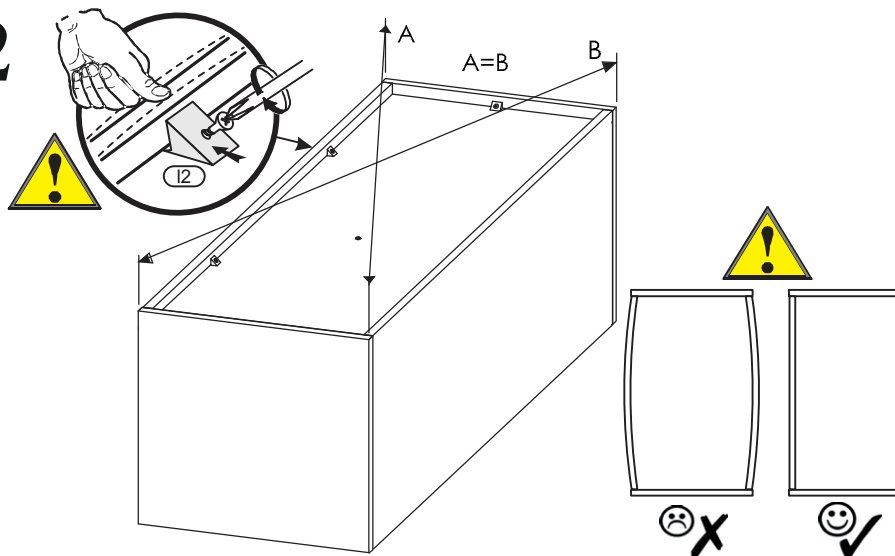
10



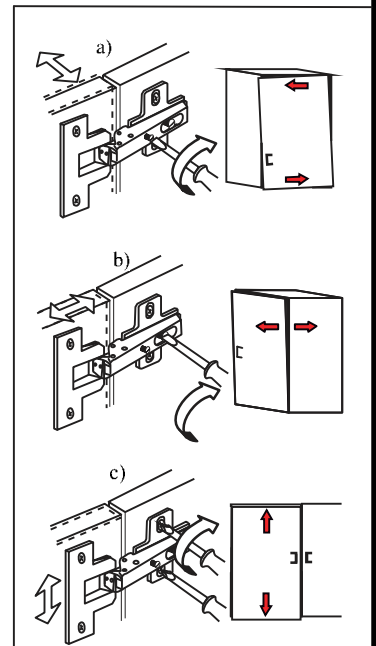
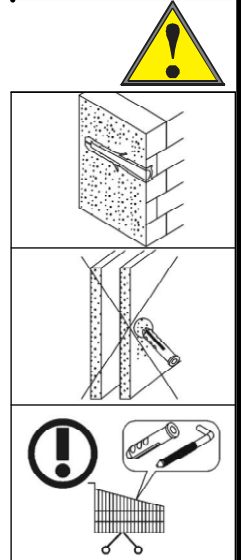
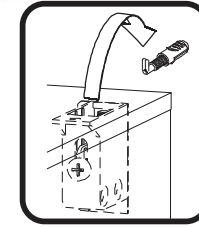
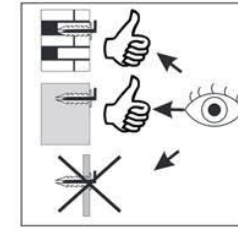
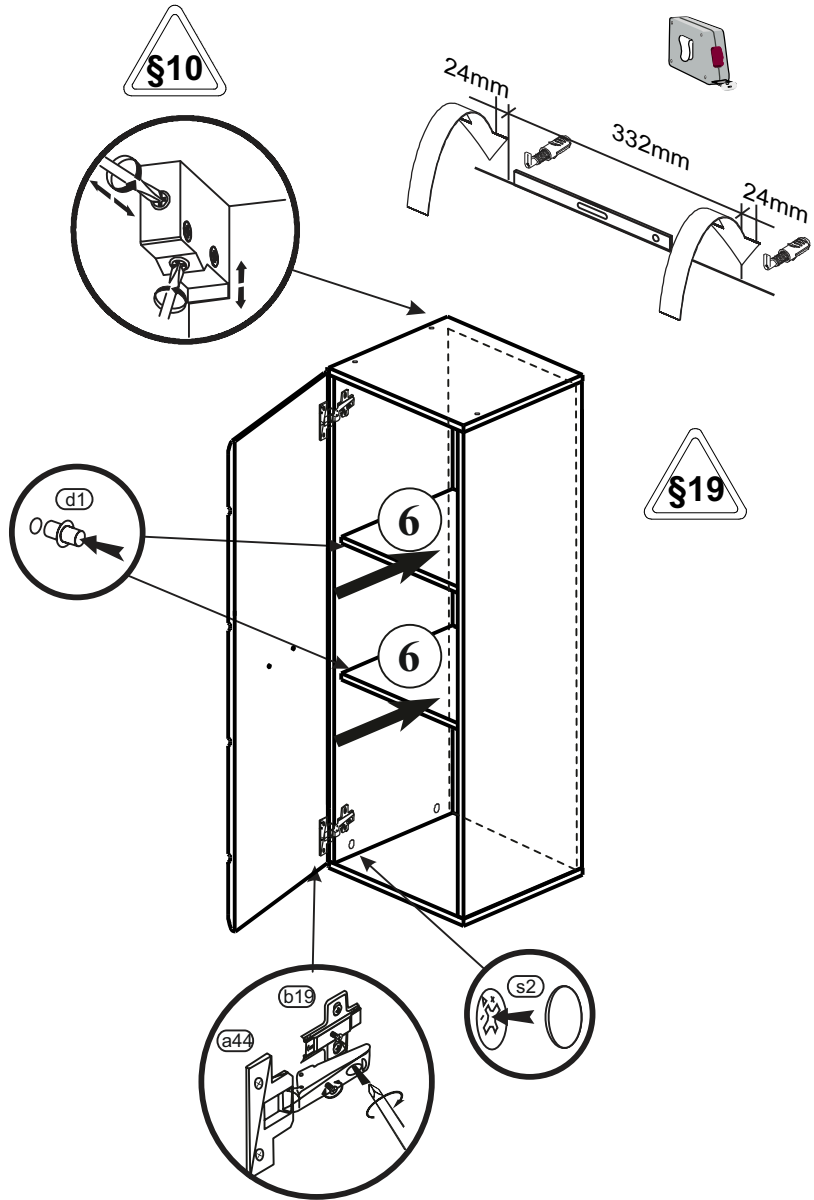
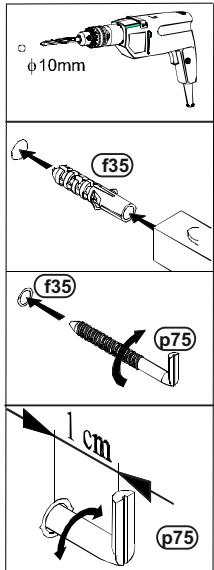
11

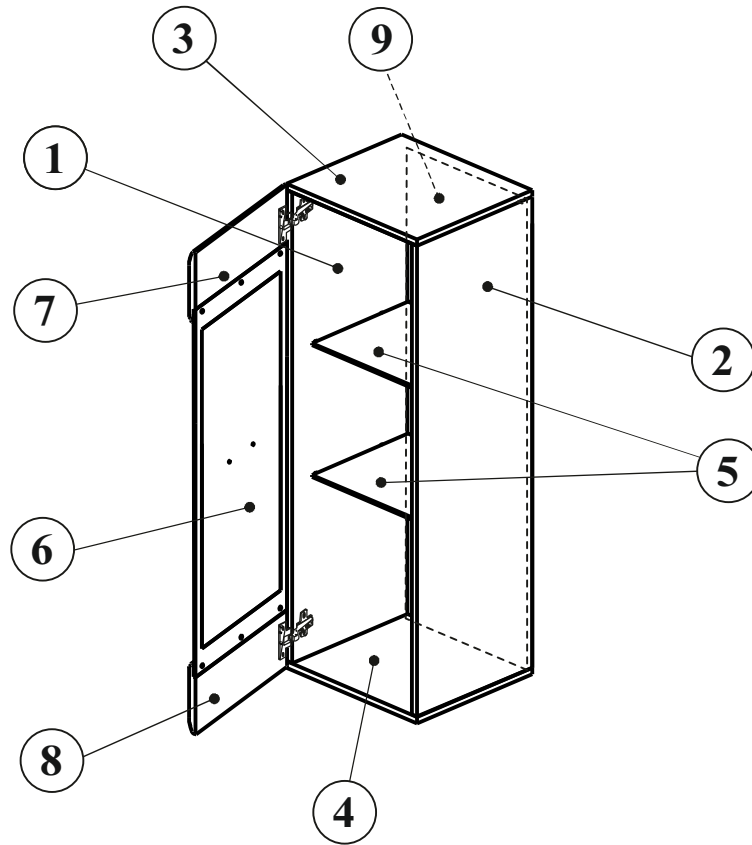
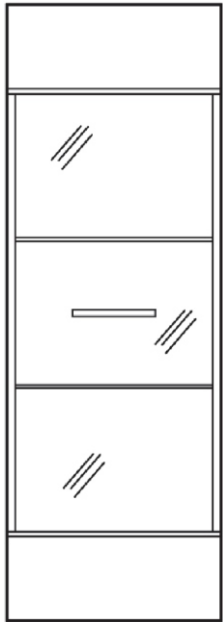


12



13

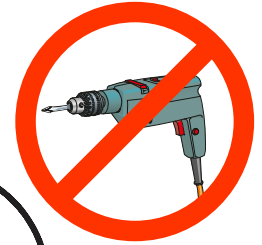
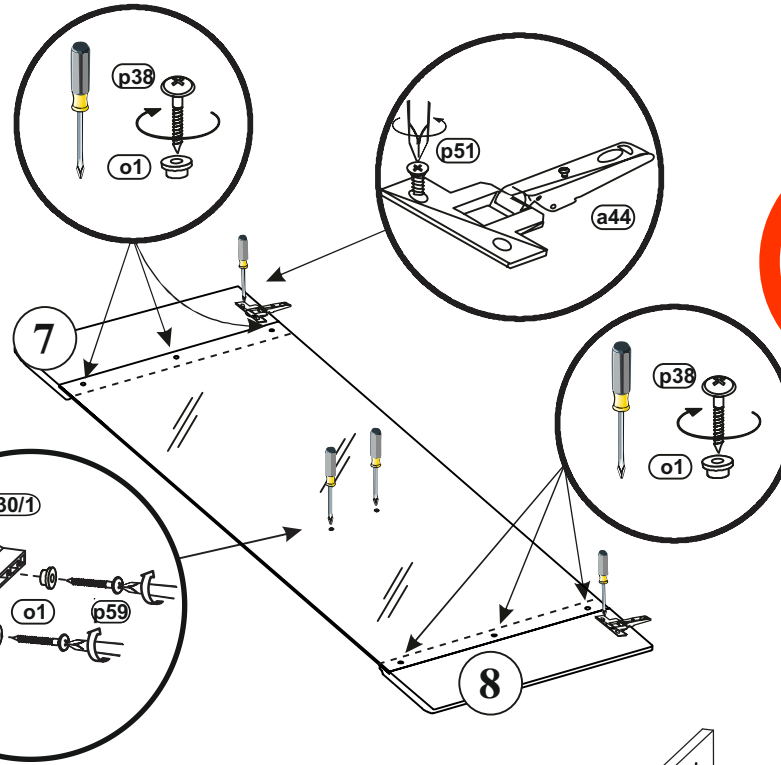
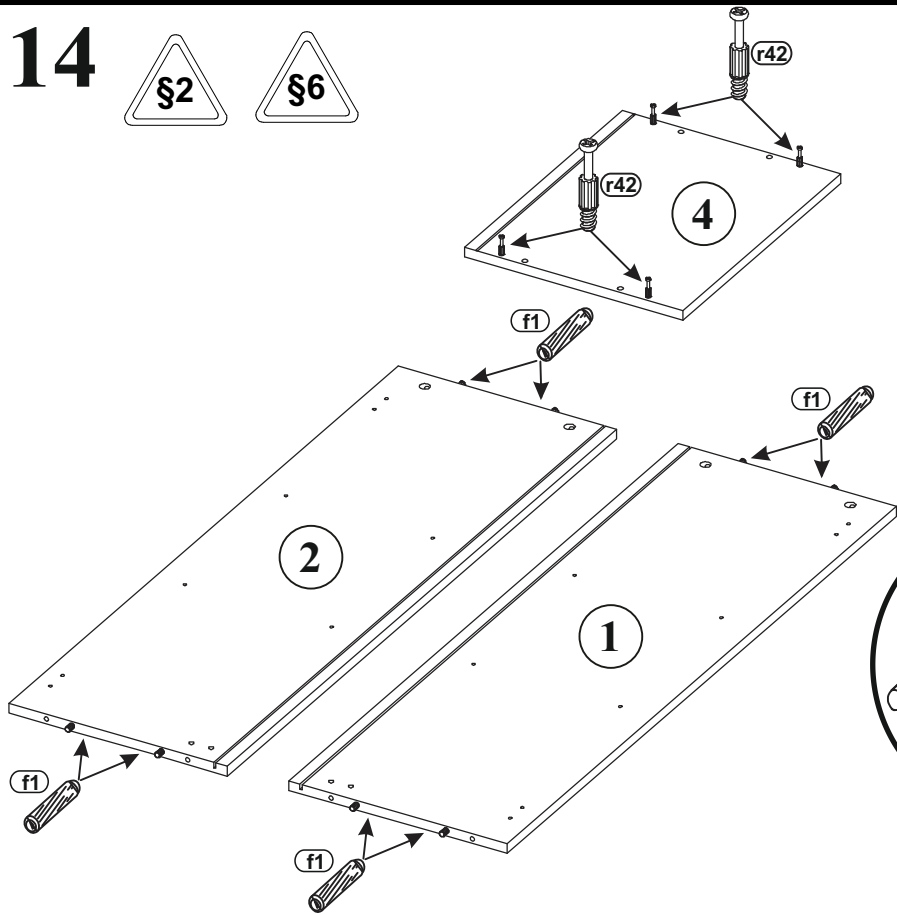




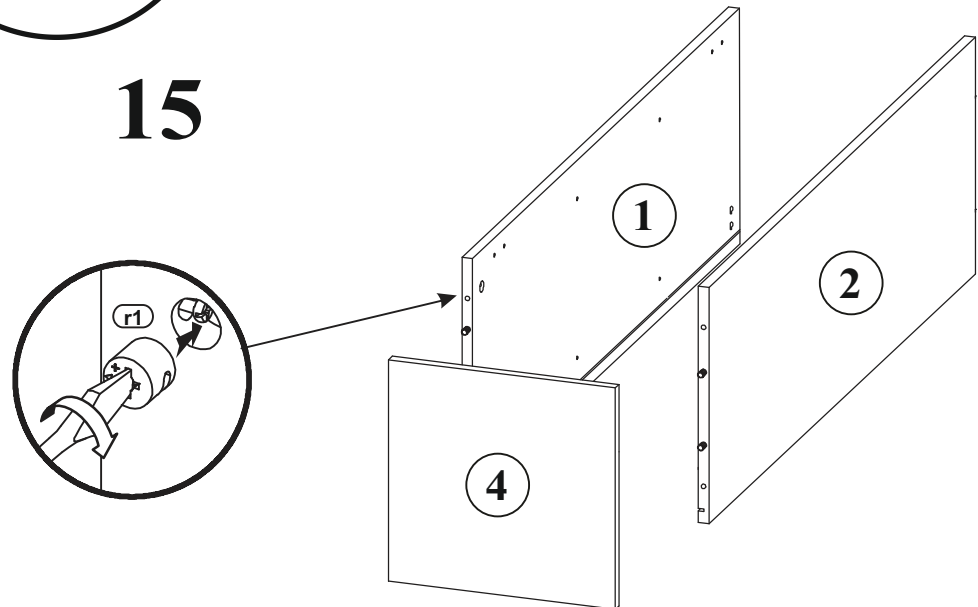
A	B	C (mm)		D
1	N25-106	1068	337	4/5
2	N25-107	1068	337	4/5
3	N25-203	380	337	4/5
4	N25-204	380	337	4/5
5	N25-504	346	292	4/5
6	N25-505	842	372	4/5
7	N25-701	156	373	4/5
8	N25-702	156	373	4/5
9	N25-903	1078	357	4/5



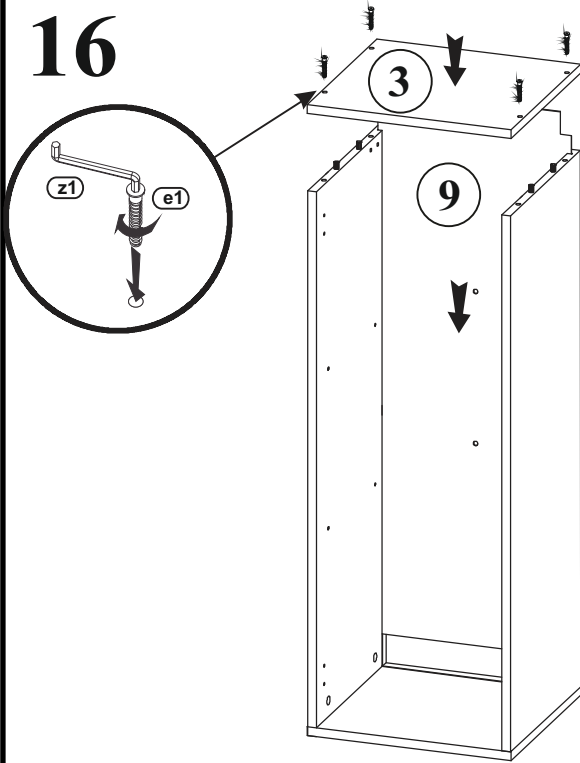
14



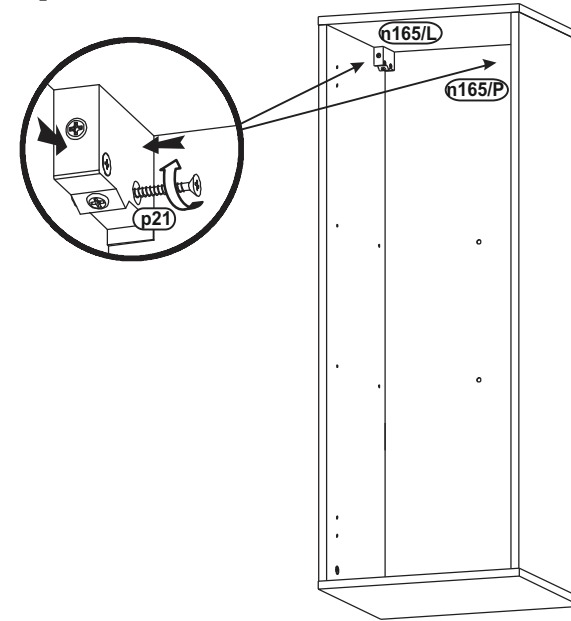
15



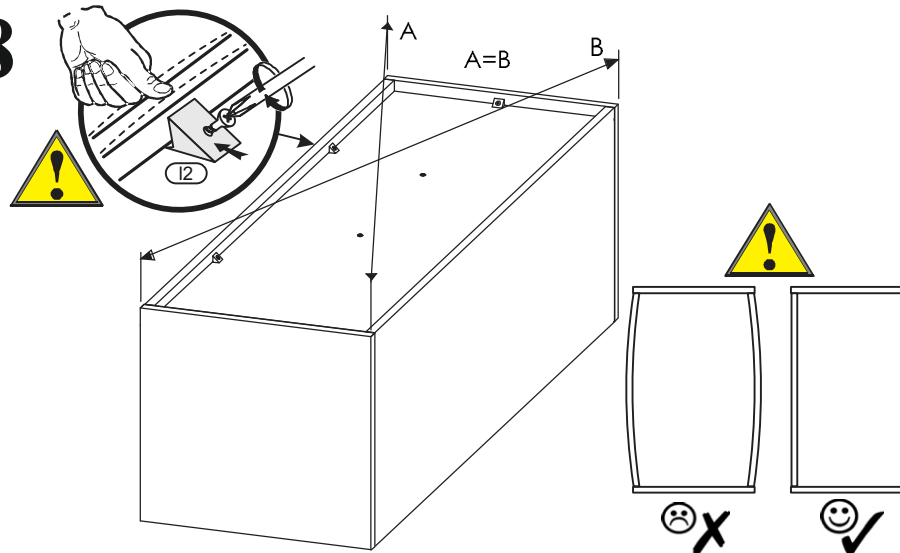
16



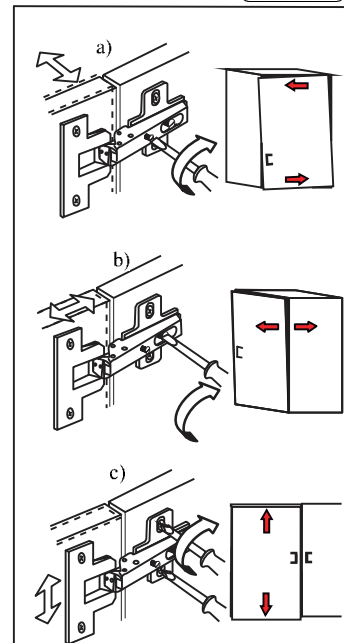
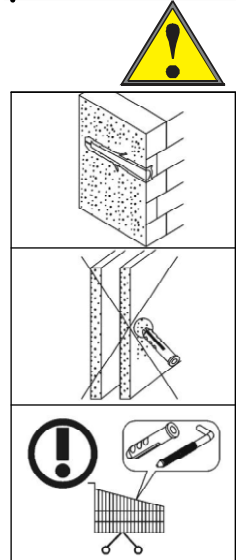
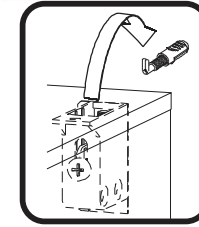
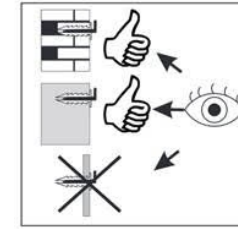
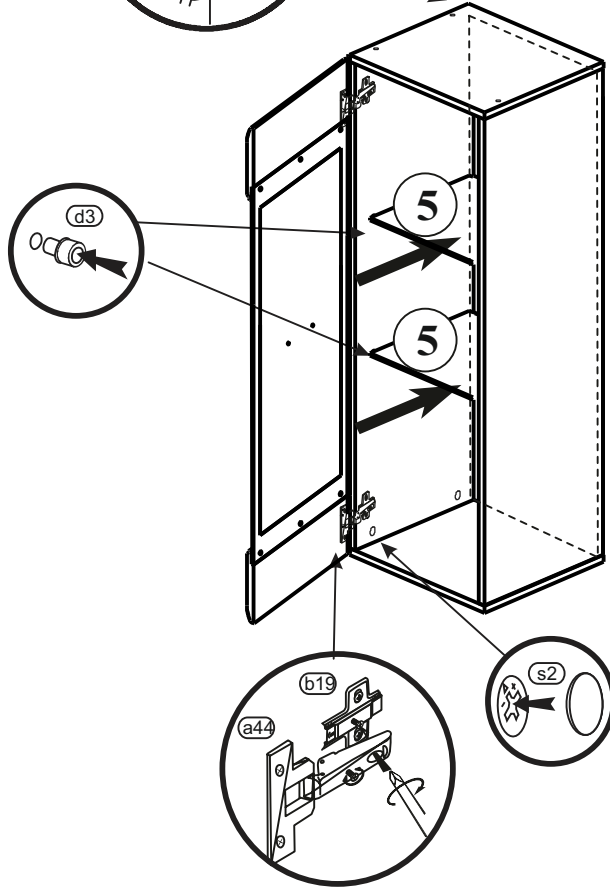
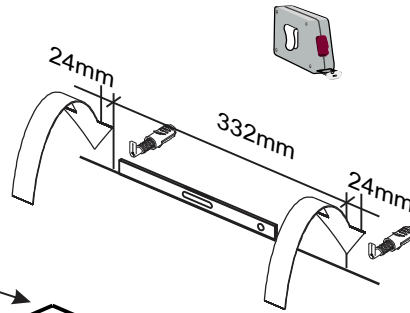
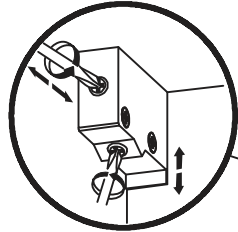
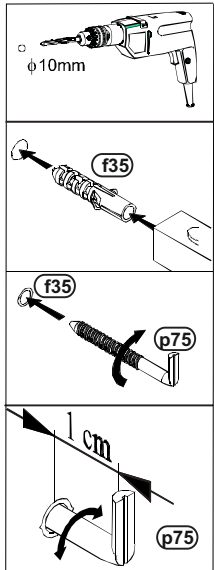
17



18

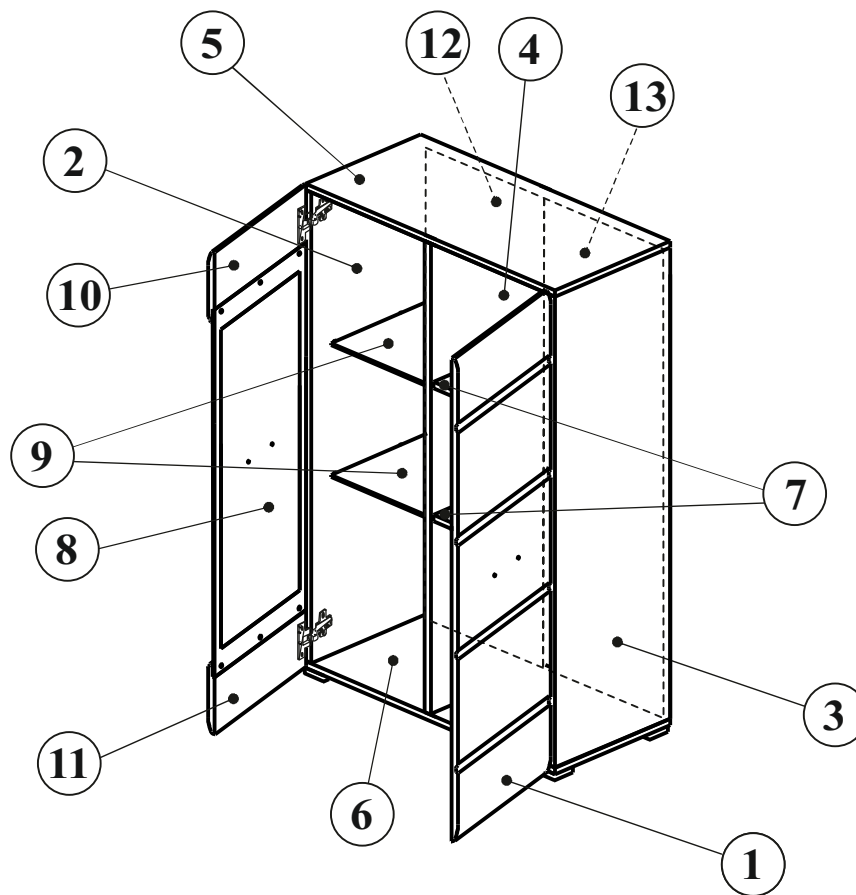
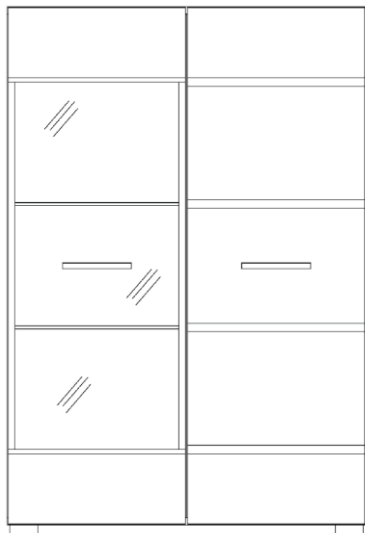


19

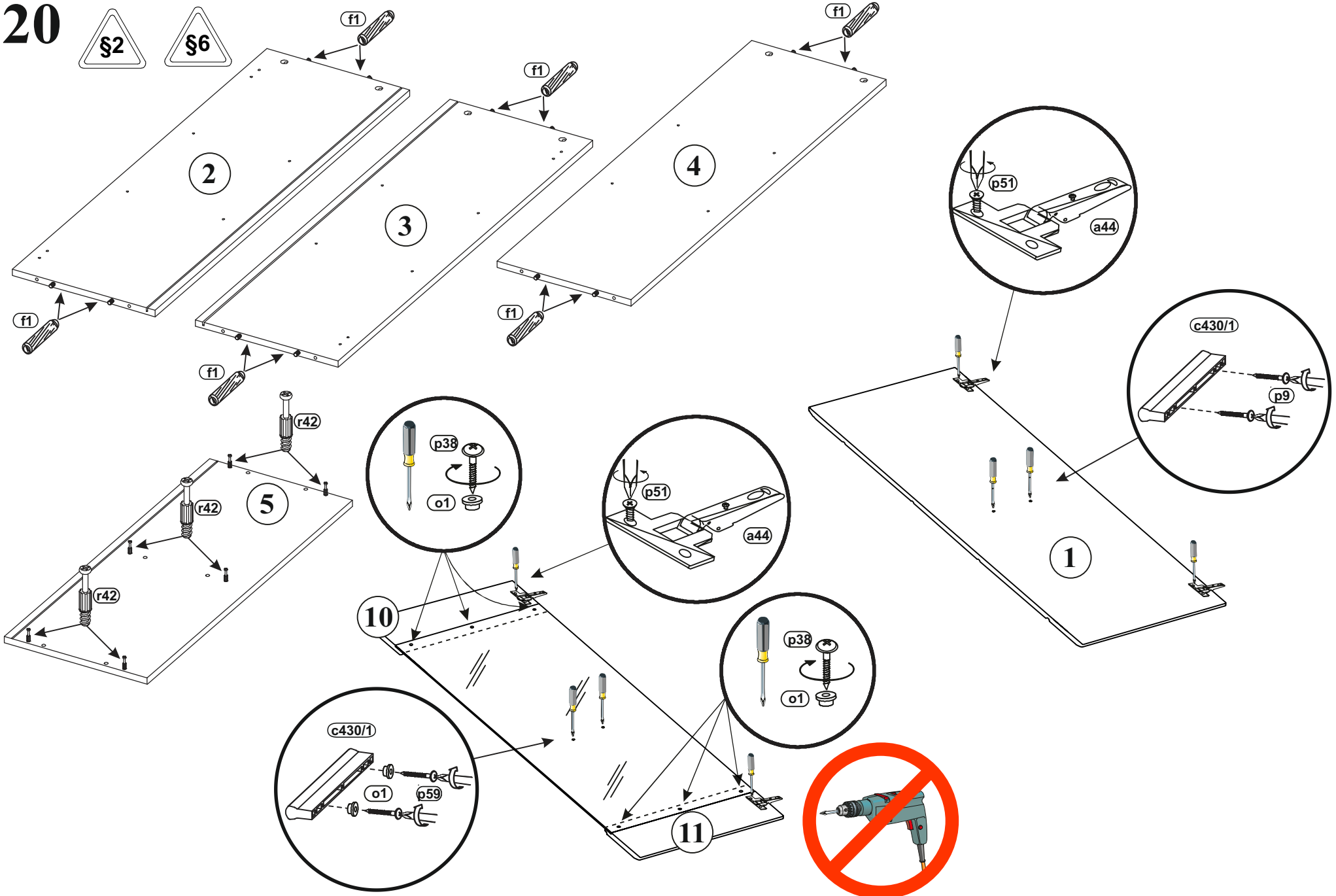


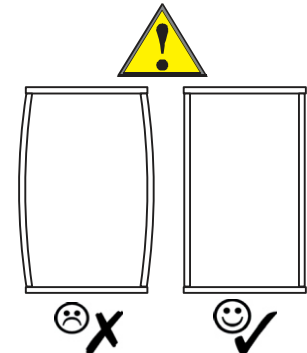
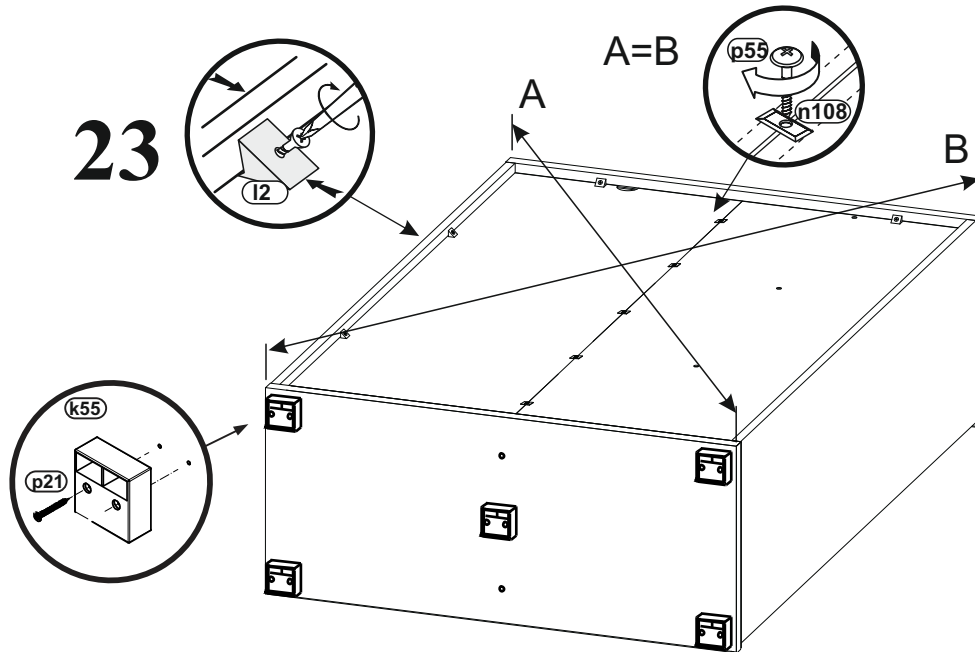
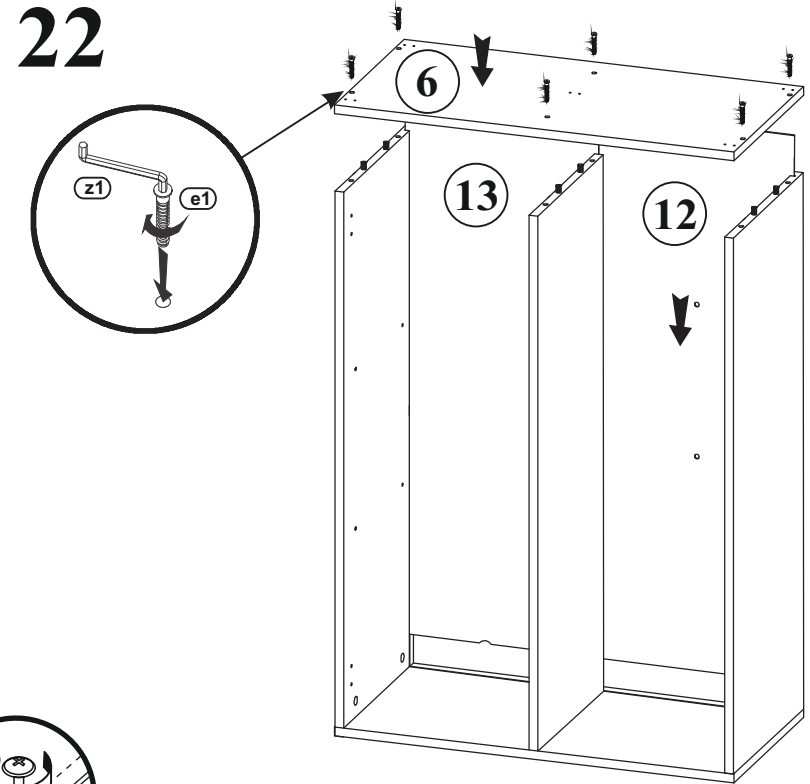
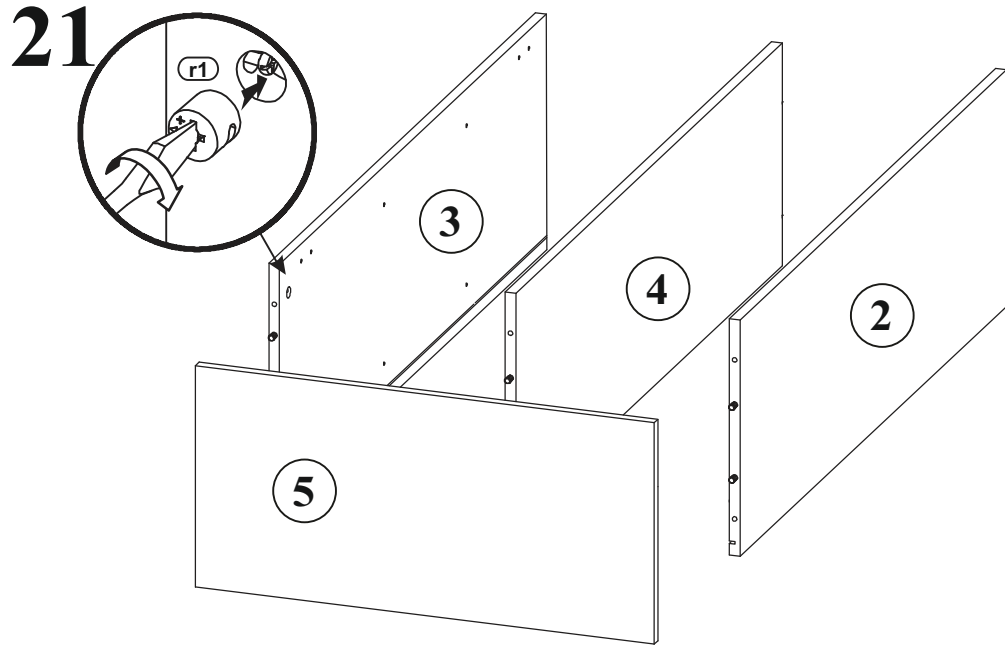


A	B	C (mm)		D
1	N25-004	1094	373	2/5
2	N25-108	1068	337	2/5
3	N25-109	1068	337	2/5
4	N25-110	1068	337	2/5
5	N25-205	756	337	2/5
6	N25-206	756	337	2/5
7	N25-302	354	312	2/5
8	N25-505	842	372	2/5
9	N25-504	352	292	2/5
10	N25-701	156	373	2/5
11	N25-702	156	373	2/5
12	N25-904	1078	366	2/5
13	N25-905	1078	366	2/5

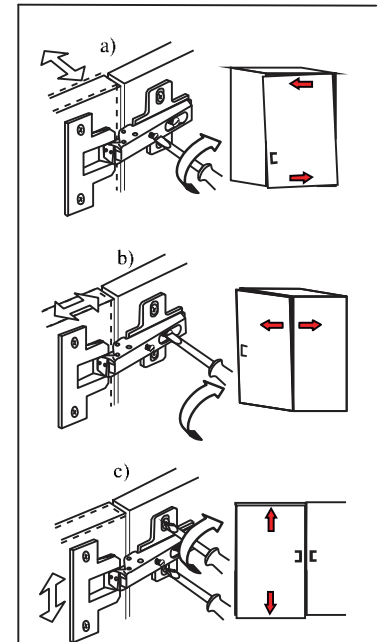
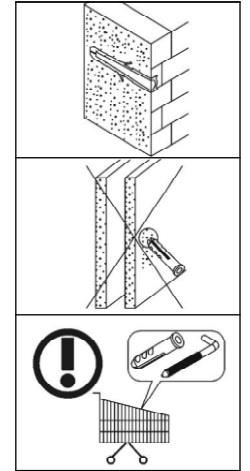
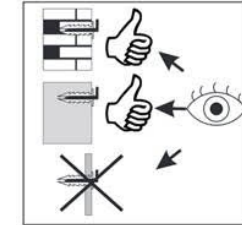
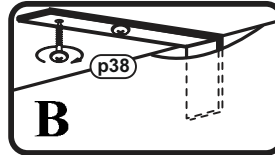
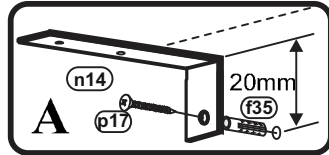
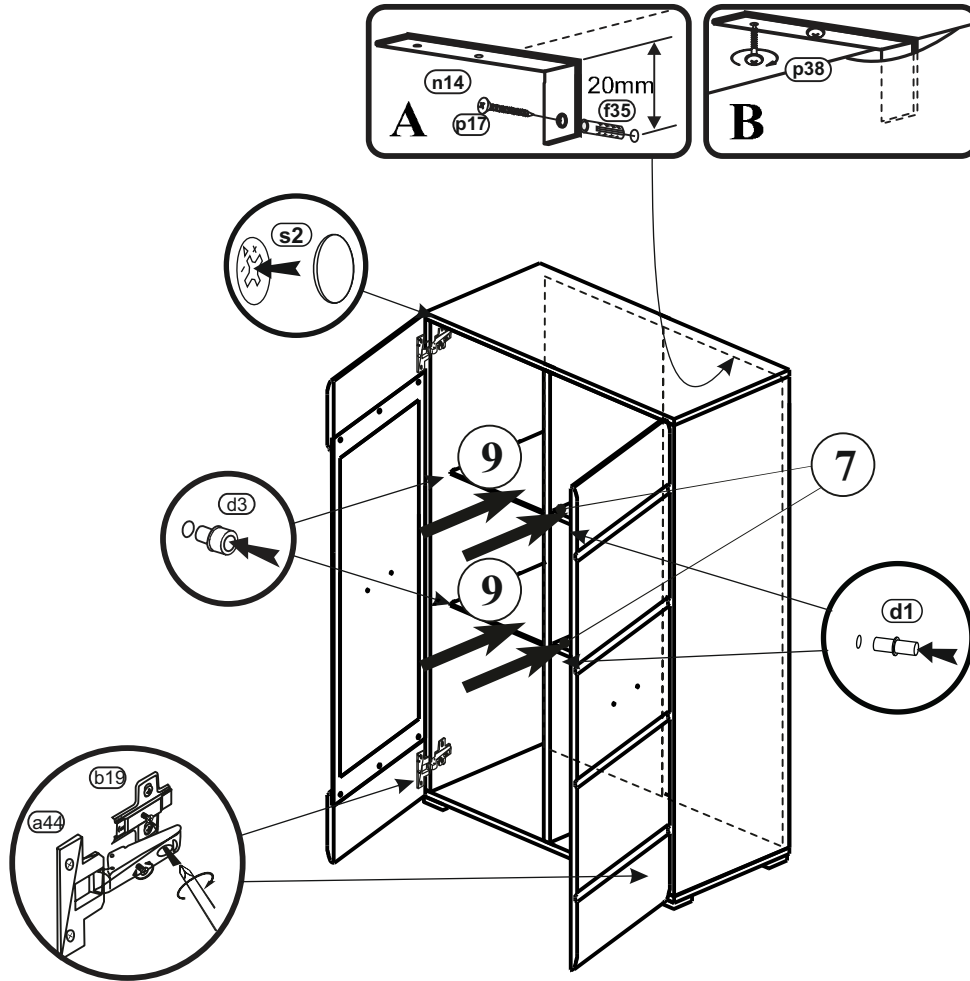


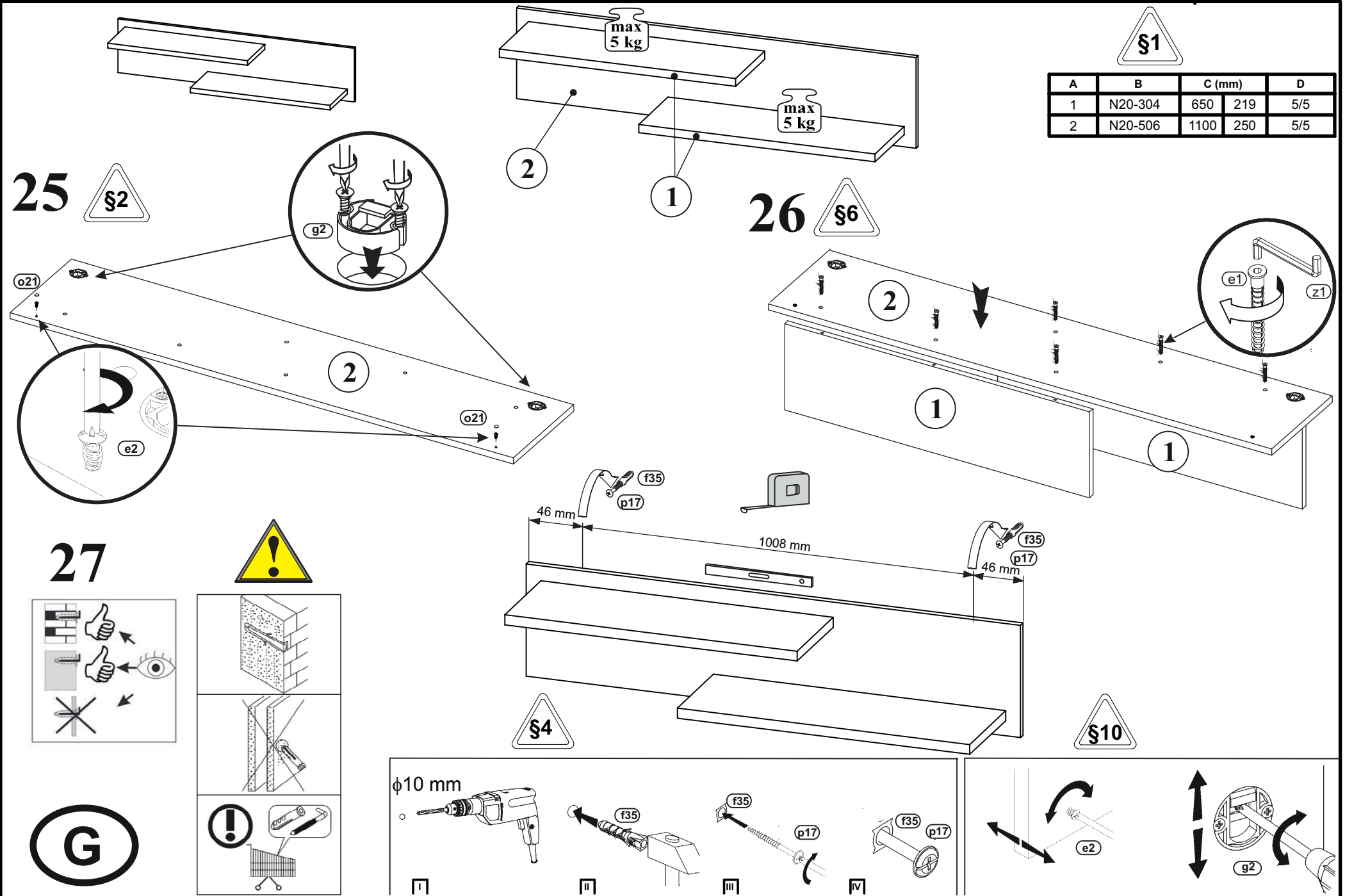
20





24





A	B	C (mm)		D
1	N20-304	650	219	5/5
2	N20-506	1100	250	5/5

25 §2

26 §6

27

