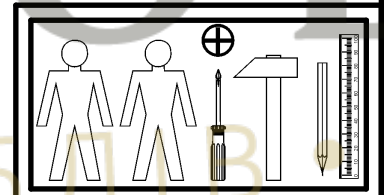
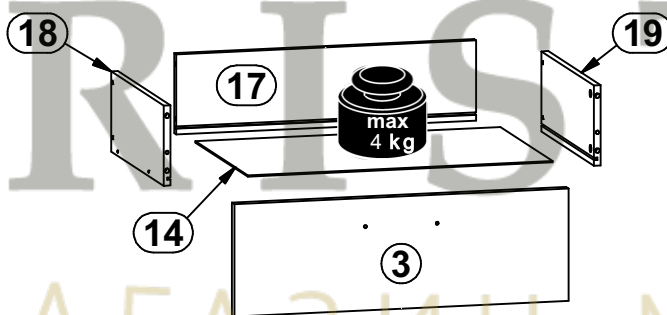
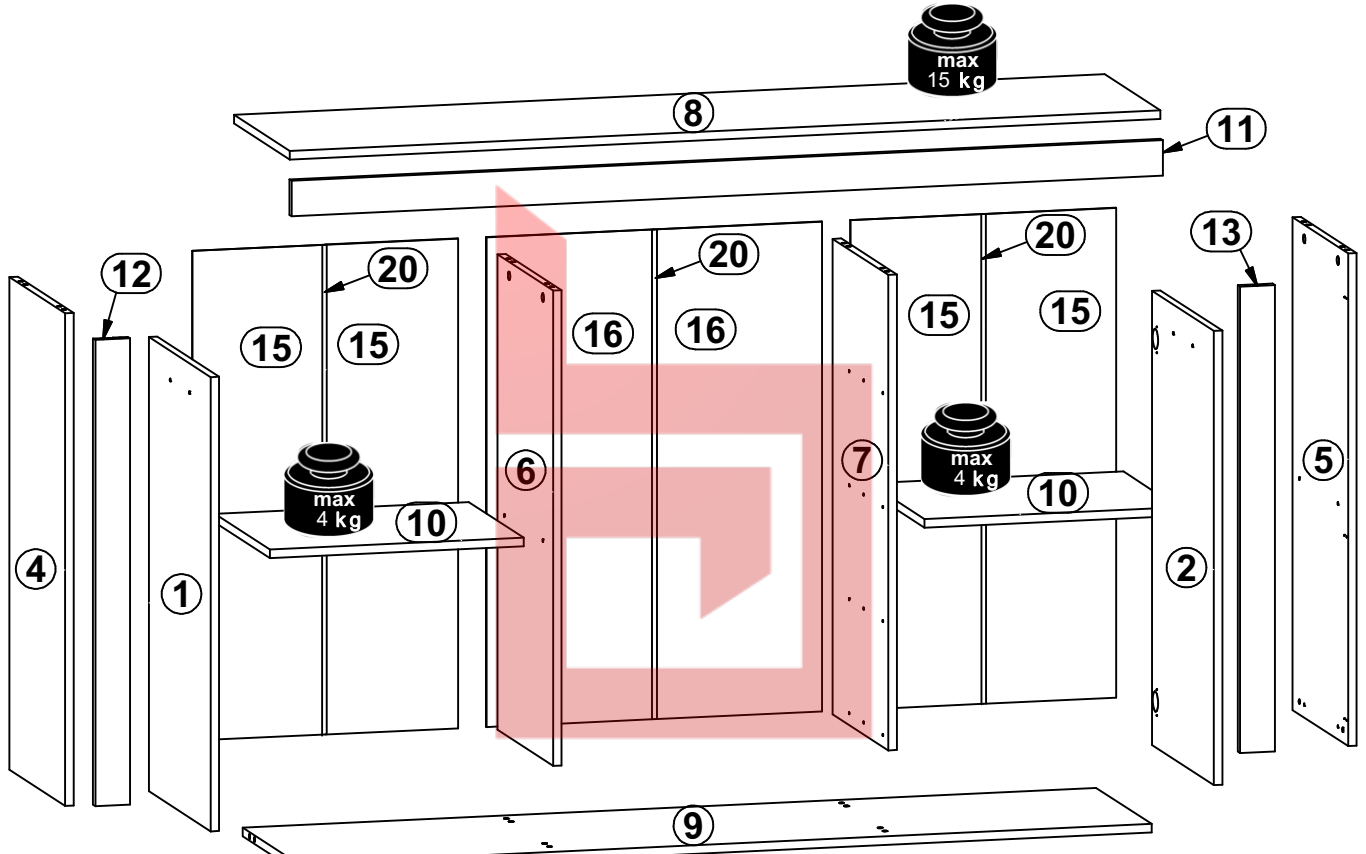
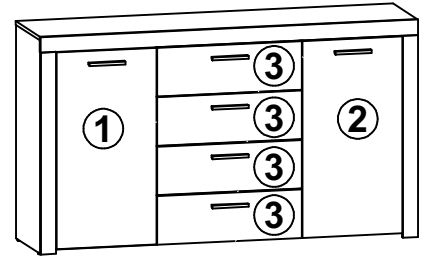
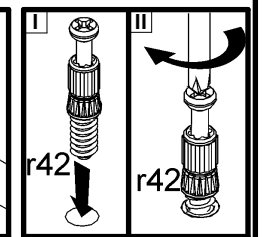
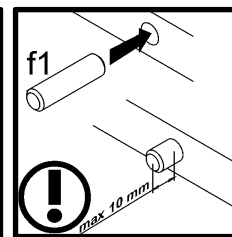
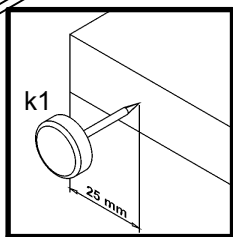
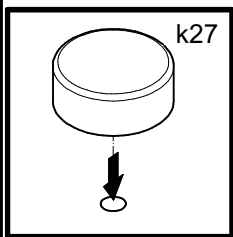
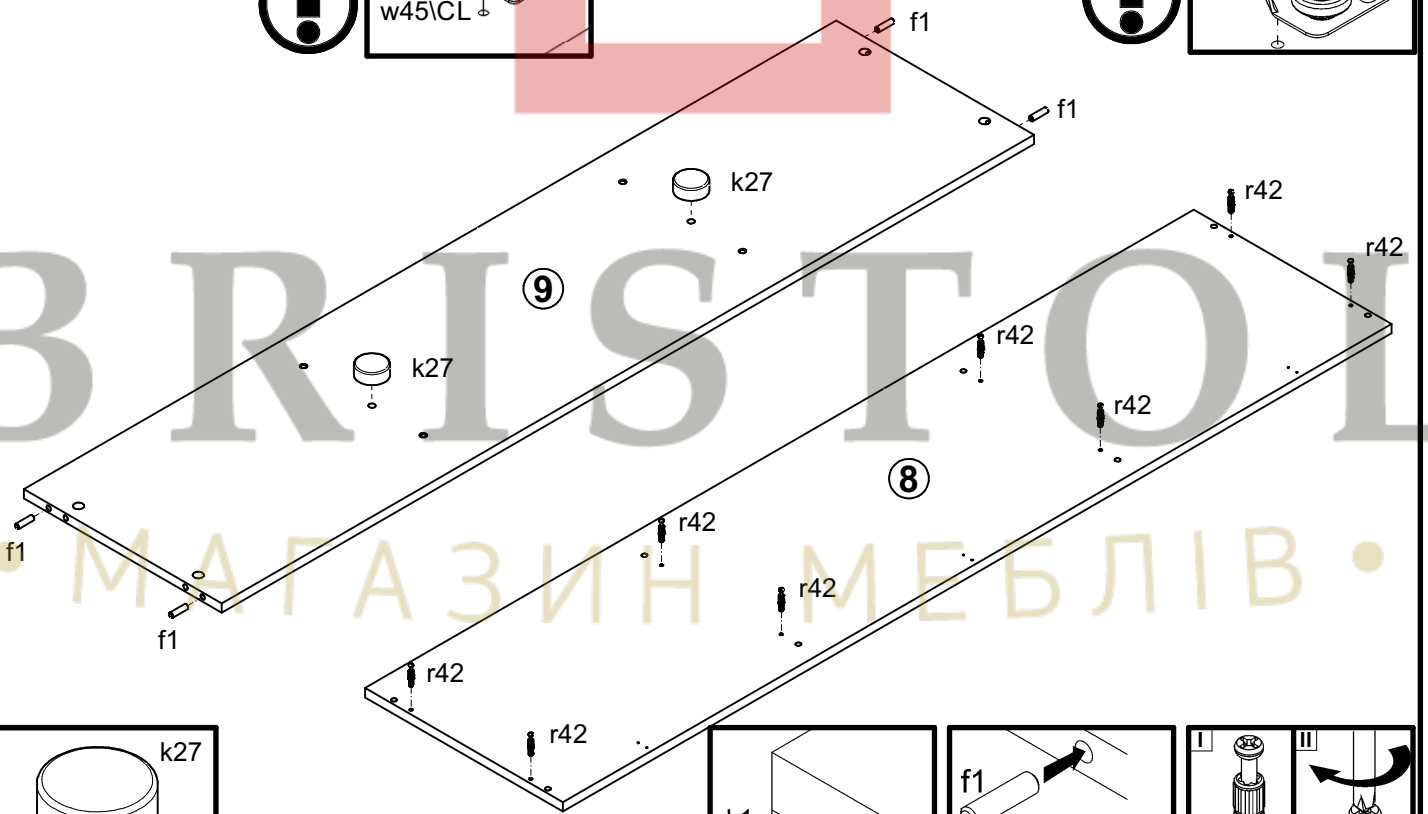
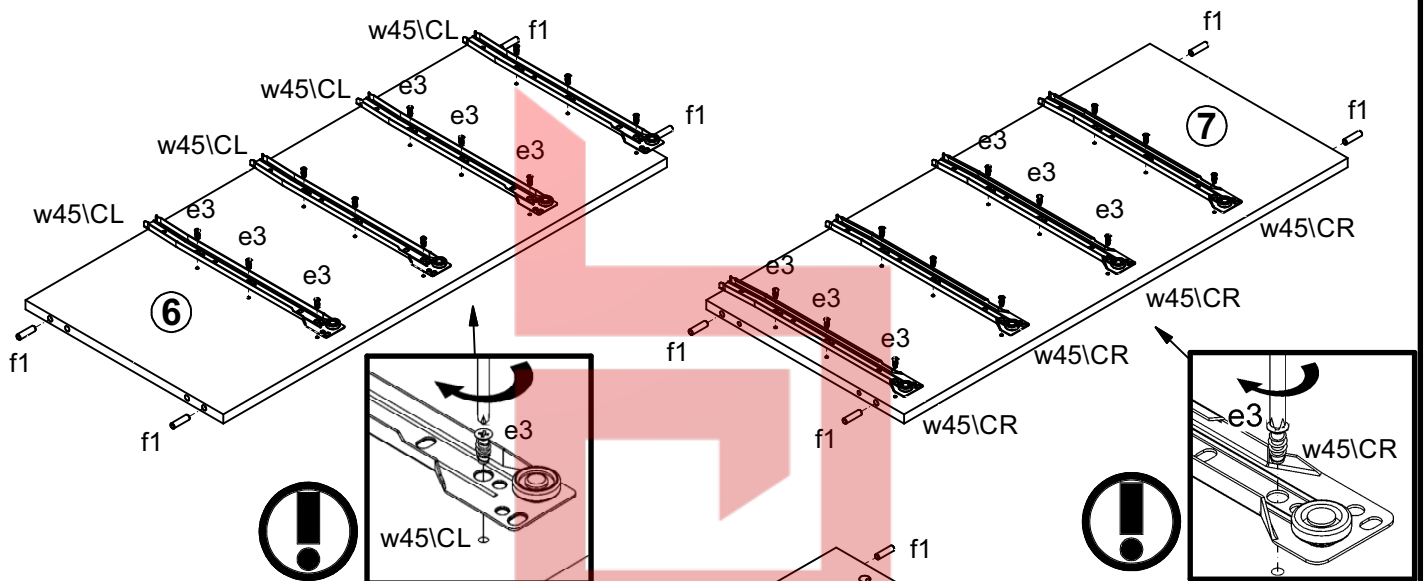
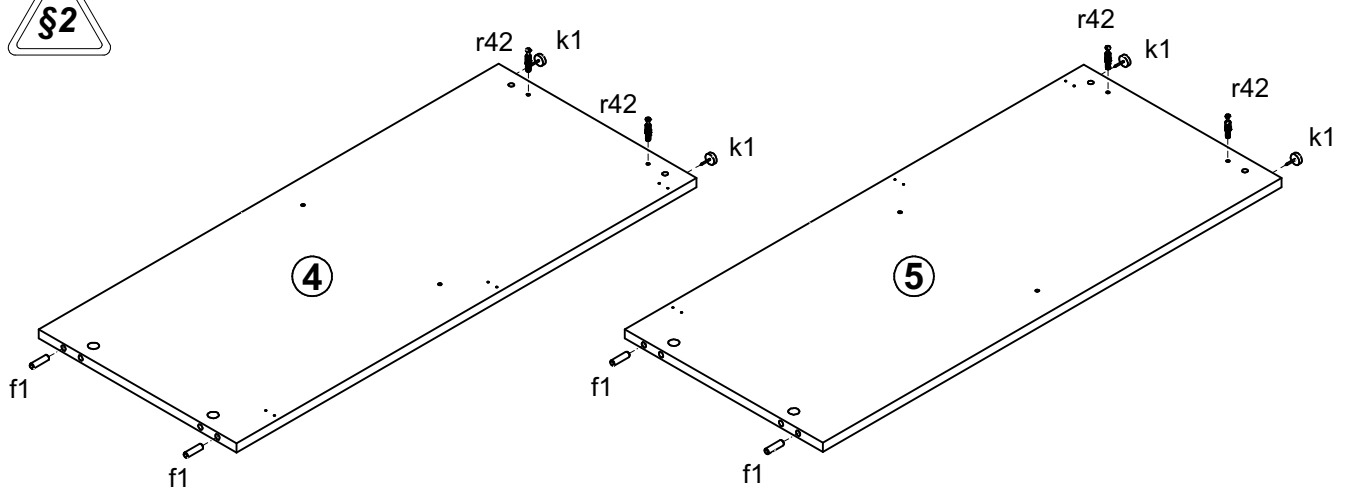


A	B	C	D	A	B	C	D		
1	S382-00015	793	410	4/4	11	S382-55023	1551	62	3/4
2	S382-00016	793	410	4/4	12	S382-55024	815	62	3/4
3	S382-00017	595	196	4/4	13	S382-55025	815	62	3/4
4	S382-11029	860	370	1/4	14	S382-99009	534	348	2/4
5	S382-11030	860	370	1/4	15	S382-99505	856	236	1/4
6	S382-11031	860	370	1/4	16	S382-99506	856	298	1/4
7	S382-11032	860	370	1/4	17	ZP-5517	524	140	1/4
8	S382-22008	1550	370	2/4	18	BP-511	350	140	1/4
9	S382-33017	1517	370	2/4	19	BP-512	350	140	1/4
10	S382-33018	451	365	2/4	20	Lh-826	826	14	1/4

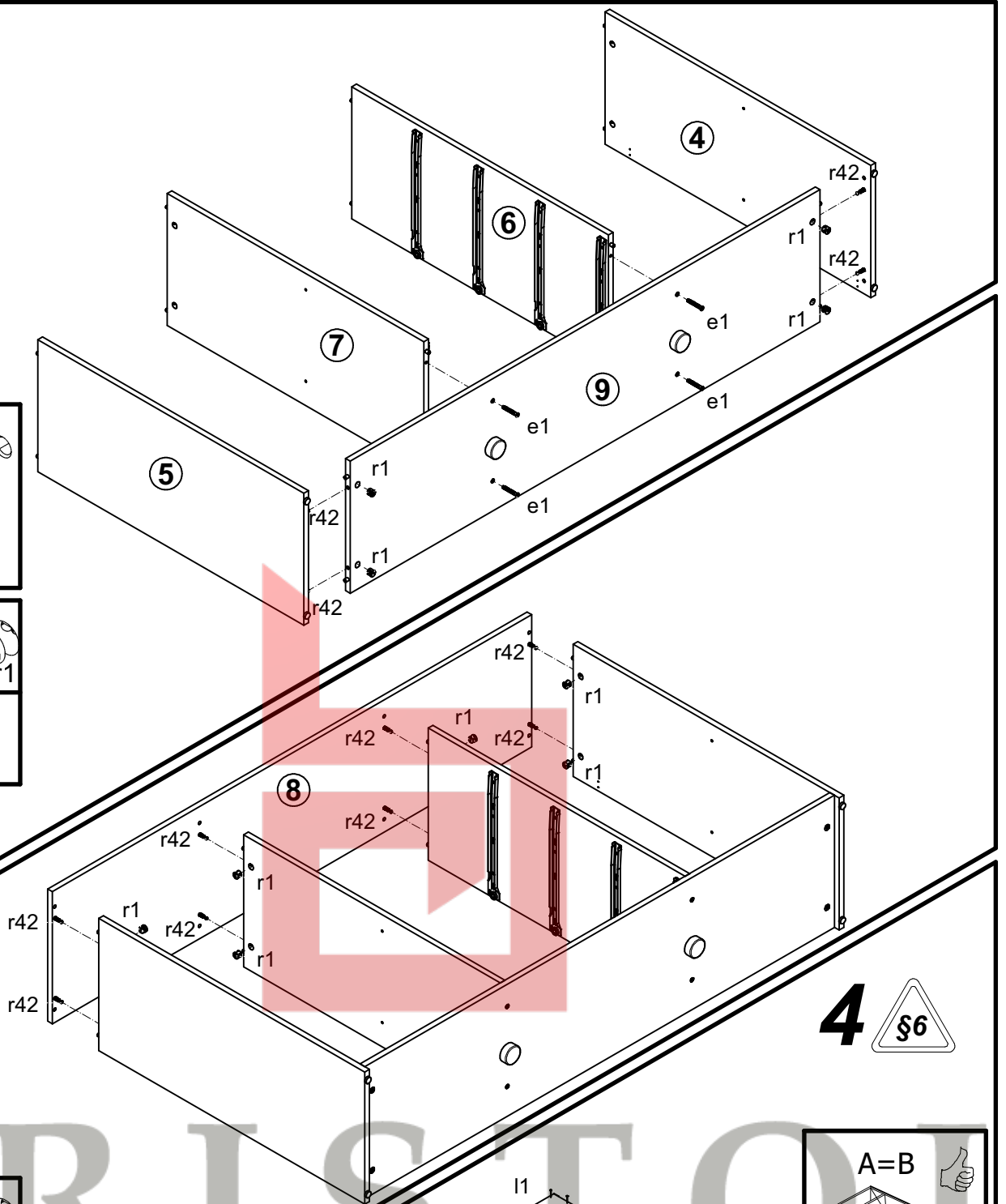
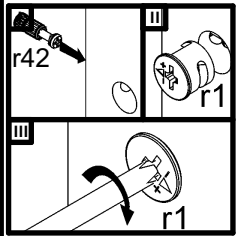
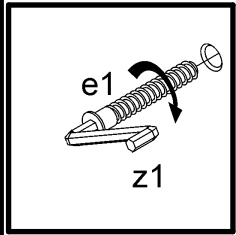


4x a132	4x b43	6x c328 128 mm	8x d1 Ø5x17 mm	9x d37	4x e1 Ø7x50 mm	16x e19 Ø5x9 mm	8x e2 Ø6,3x13 mm	24x e3 Ø6x13 mm
20x f1 Ø8x30 mm	16x f25 Ø6,5x40 mm	8x f9 Ø6x30 mm	4x k1	2x k27	60x l1	8x p25 Ø3,5x16 mm	37x p38 Ø3,5x16 mm	8x p51 Ø3,5x15 mm
12x p87 φ4x25 mm	28x r1 Ø15x12 mm #16	1x z1 4 mm	28x r42 20/11	4x t19 333 mm	4x w45\CL 350 mm	4x w45\CR 350 mm	4x w45\DL 350 mm	4x w45\DR 350 mm
2x s2 Ø16	1x n26\1	10x n108 20x13x3,5\1	10x p55 Ø2,9x16 mm					

1 §2



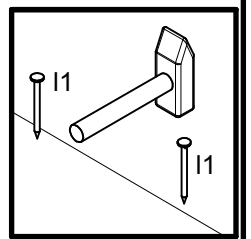
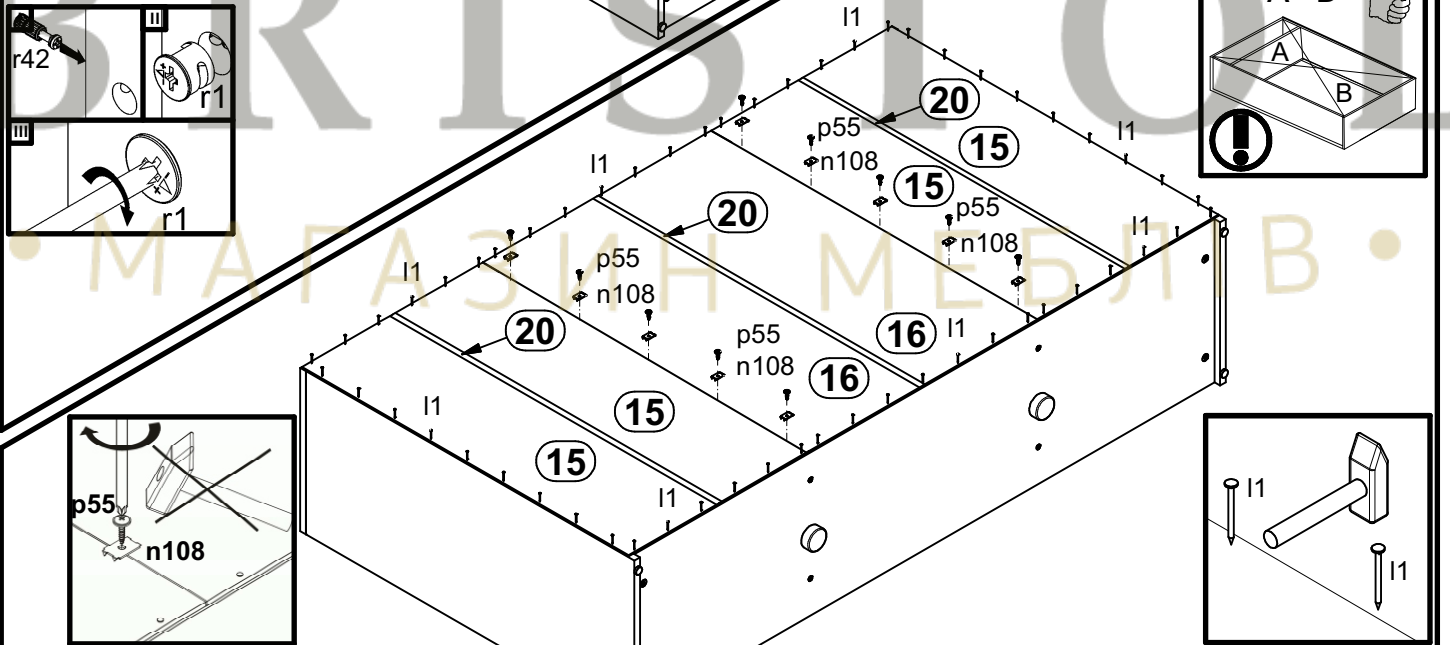
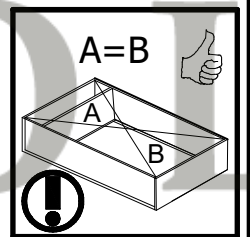
2 



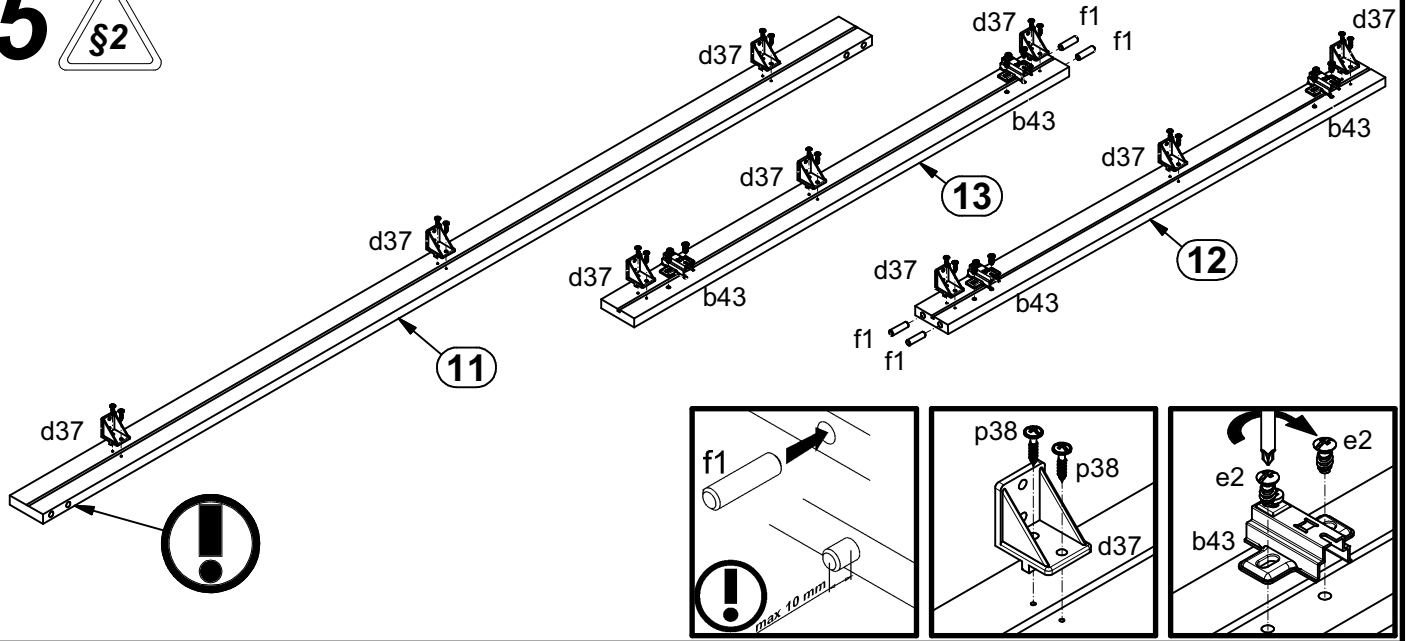
3 



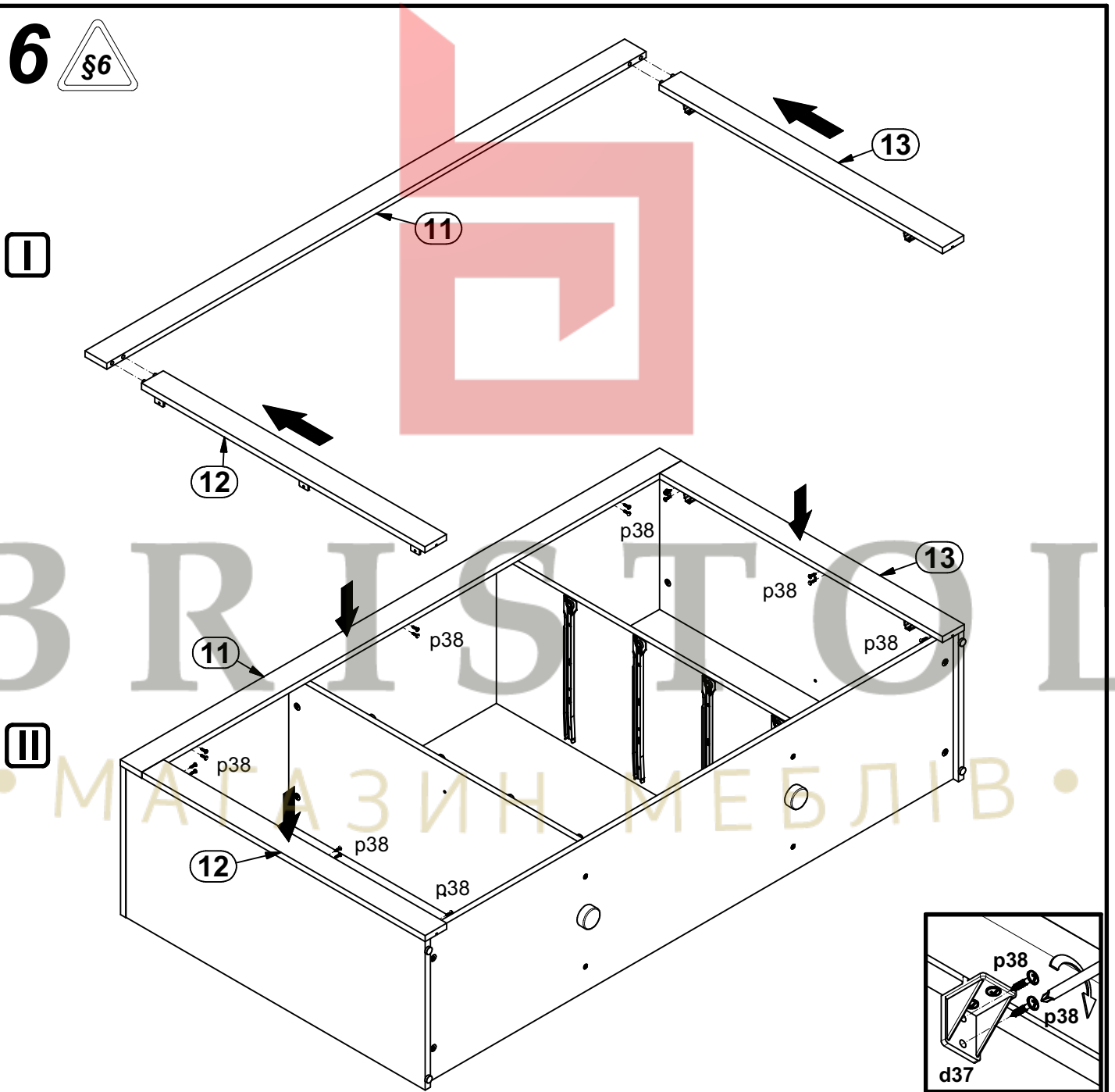
4 



5



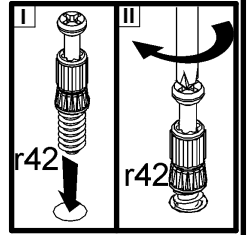
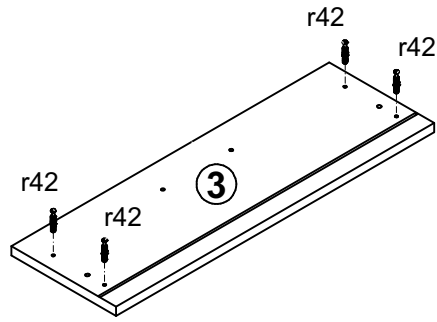
6



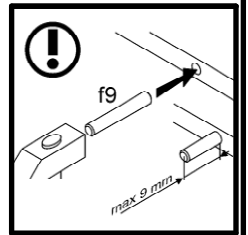
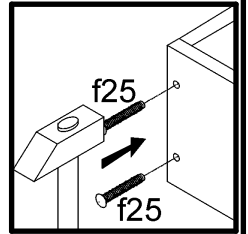
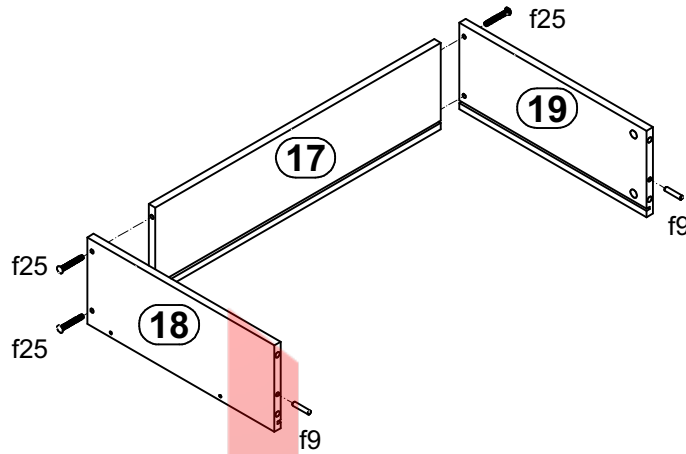
7



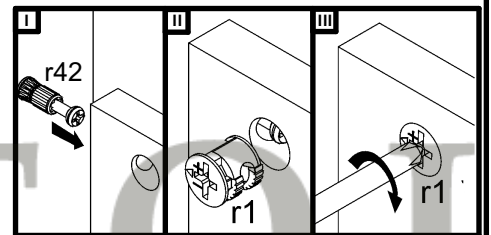
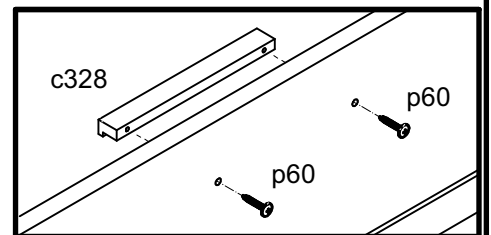
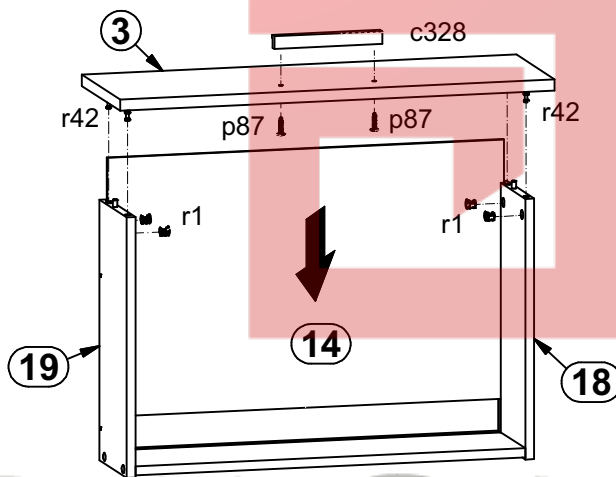
I



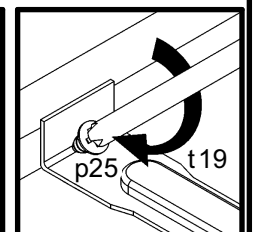
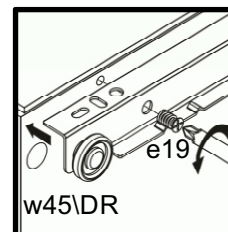
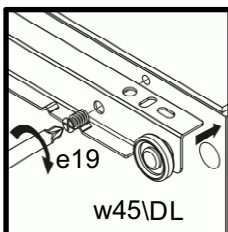
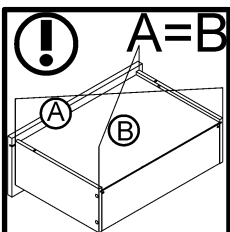
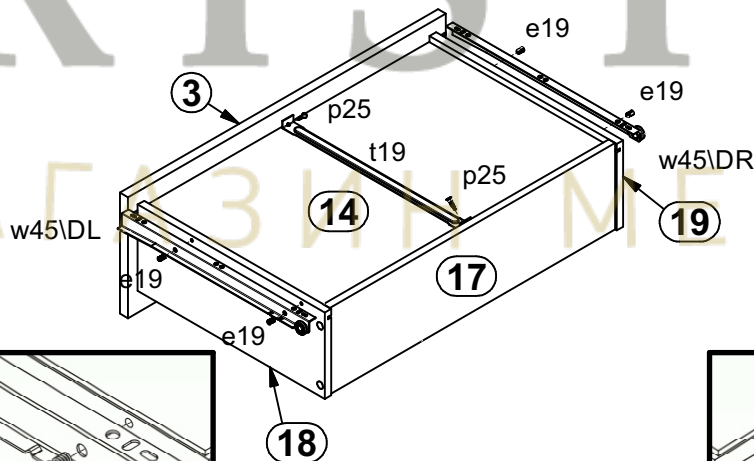
II



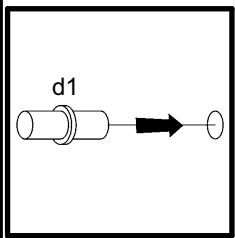
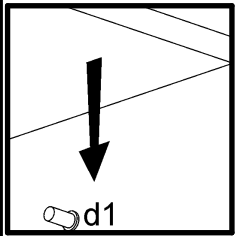
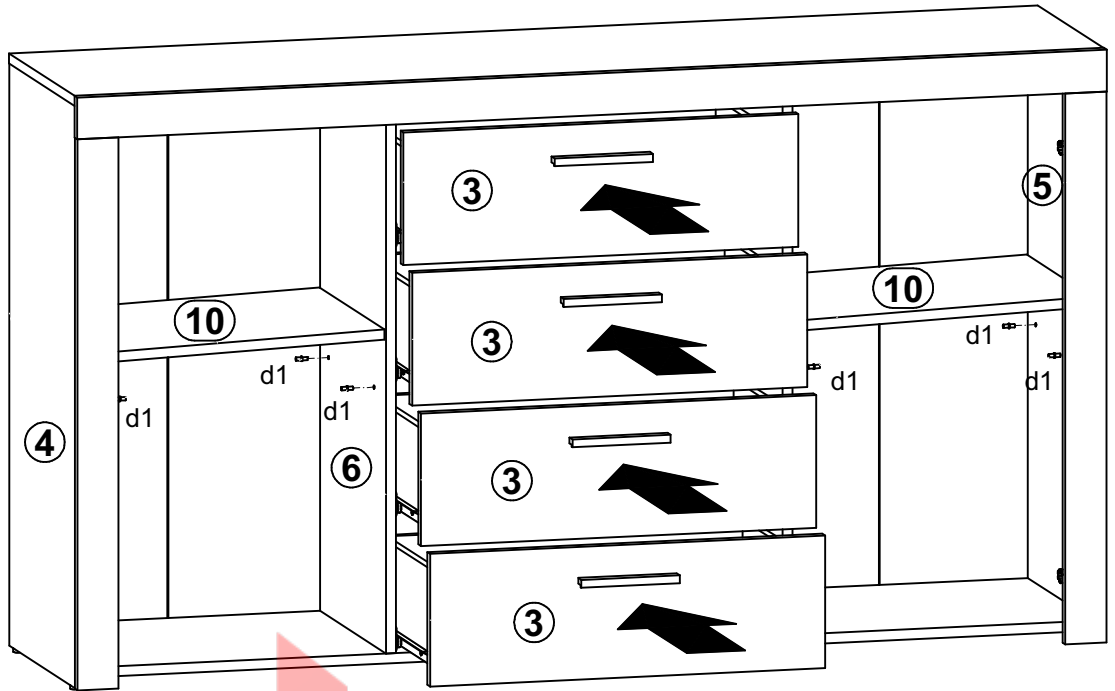
III



IV



8 §2



9 §6 §10

