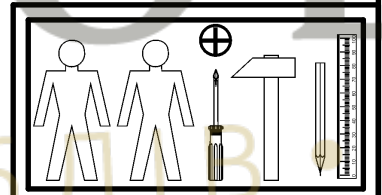
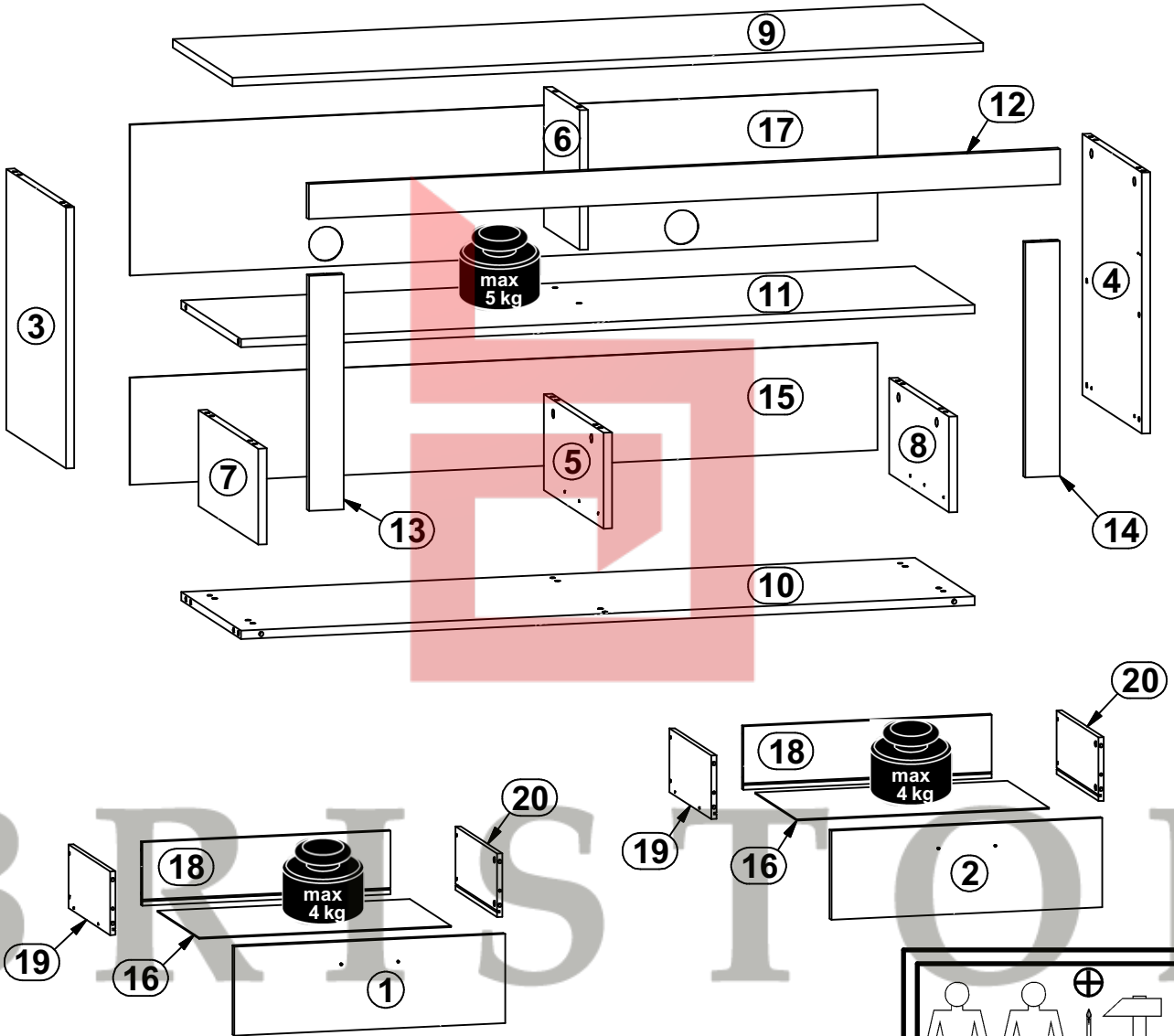
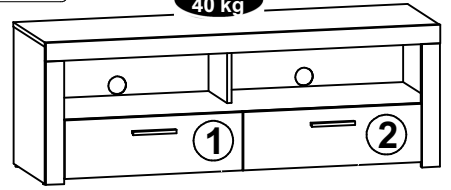
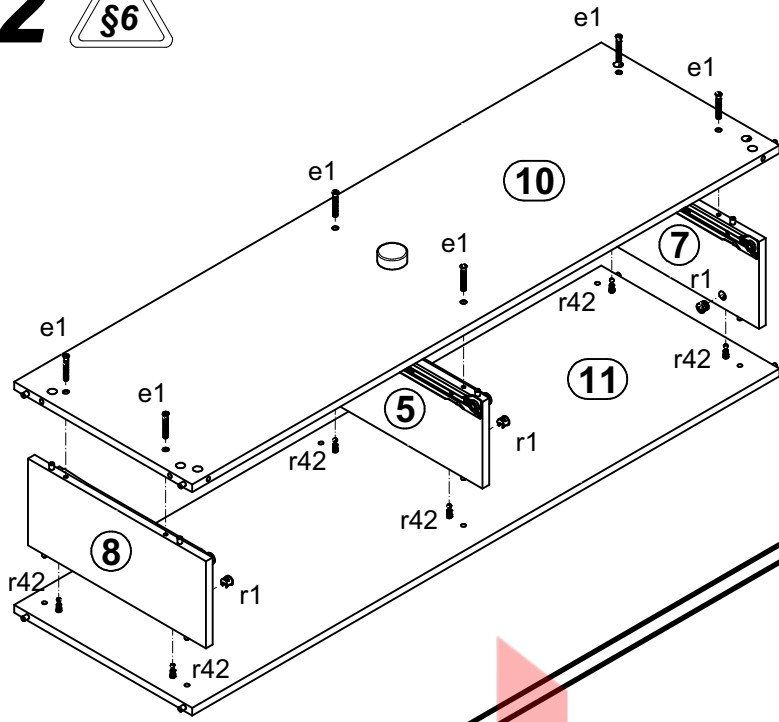
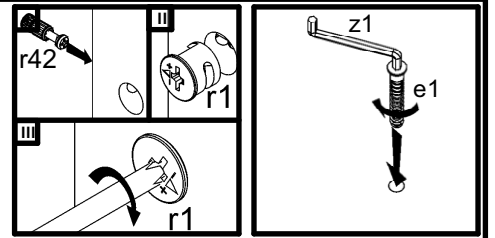


A	B	C	D	A	B	C	D		
1	S382-00004	609	196	4/4	11	S382-33006	1317	400	1/4
2	S382-00005	609	196	4/4	12	S382-55007	1351	62	3/4
3	S382-11007	460	400	2/4	13	S382-55008	415	62	3/4
4	S382-11008	460	400	2/4	14	S382-55009	415	62	3/4
5	S382-11009	168	400	2/4	15	S382-99003	1344	189	1/4
6	S382-11010	245	240	2/4	16	S382-99004	559	348	1/4
7	S382-11013	168	400	2/4	17	S382-99008	266	1344	1/4
8	S382-11014	168	400	2/4	18	ZP-5520	549	140	1/4
9	S382-22003	1350	400	1/4	19	BP-511	350	140	1/4
10	S382-33005	1317	400	1/4	20	BP-512	350	140	1/4

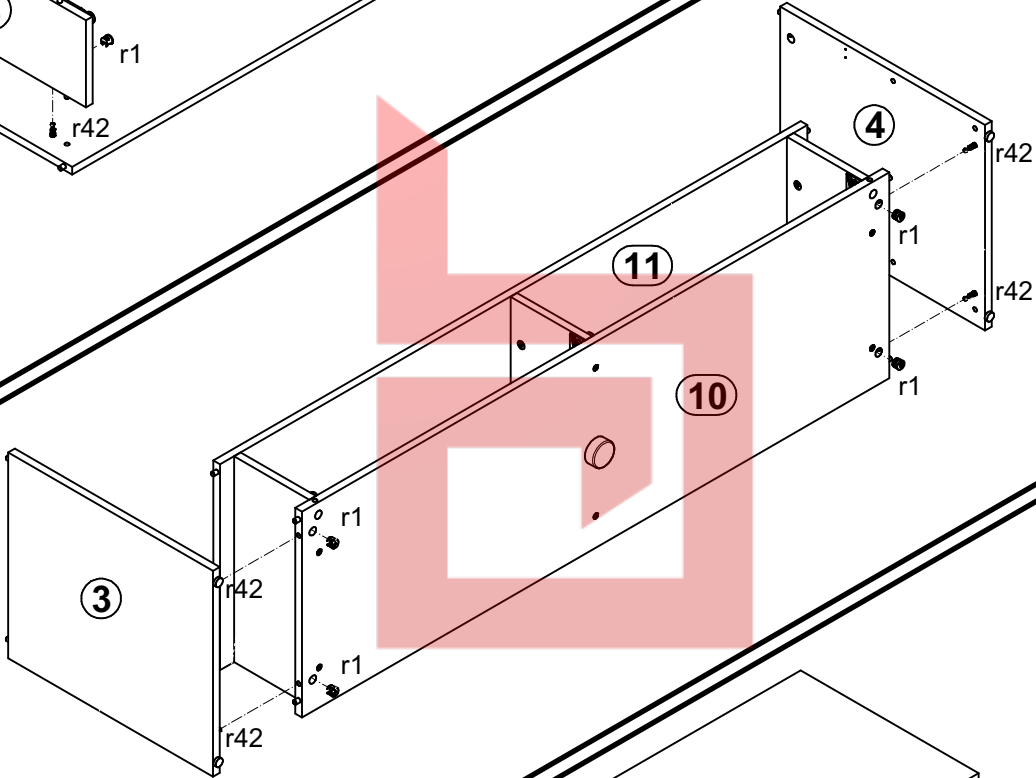


2x 128 mm c328	5x d37	6x Ø7x50 mm e1	9x Ø6x13 mm e3	8x Ø5x9 mm e19	32x Ø8x30 mm f1	4x Ø6x30 mm f9	8x Ø6.5x40 mm f25	4x k1
1x k27	60x l1	4x Ø3.5x16 mm p25	20x Ø3.5x16 mm p38	3x Ø3x12 mm p54	4x Ø4x25 mm p87	24x Ø15x12 mm #16 r1	1x 4 mm z1	24x 20x11 r42
2x 333 mm t19	2x 350 mm w45\CL	2x 350 mm w45\CR	2x 350 mm w45\DL	2x 350 mm w45\DR	6x Ø16 s2	1x n26\1	1x Ø3.5x16 mm p38	

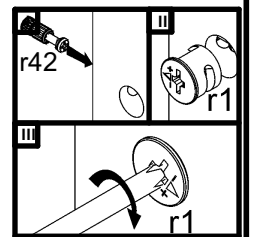
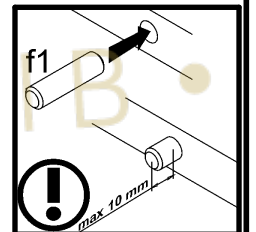
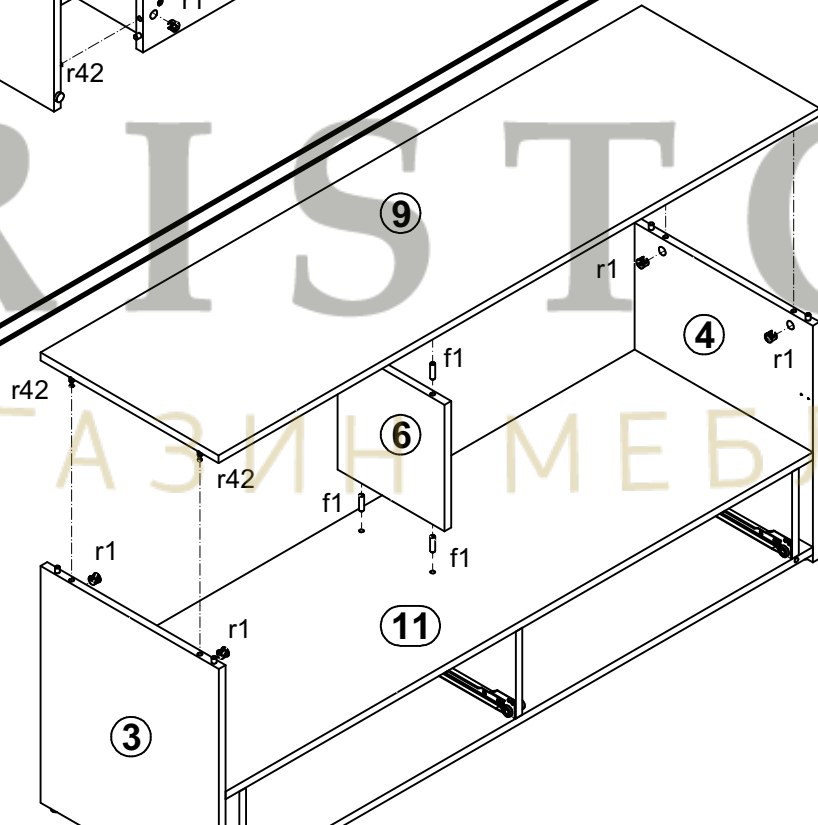
2



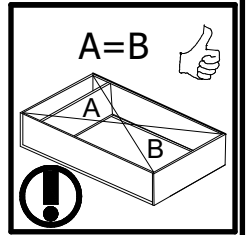
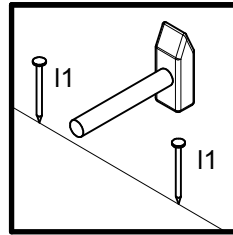
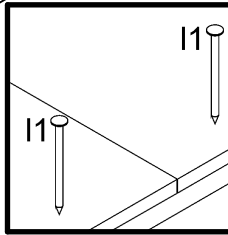
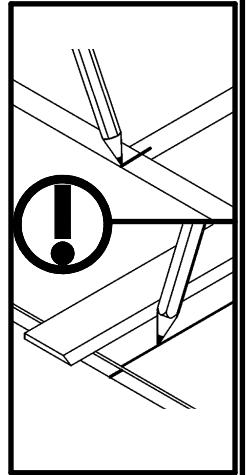
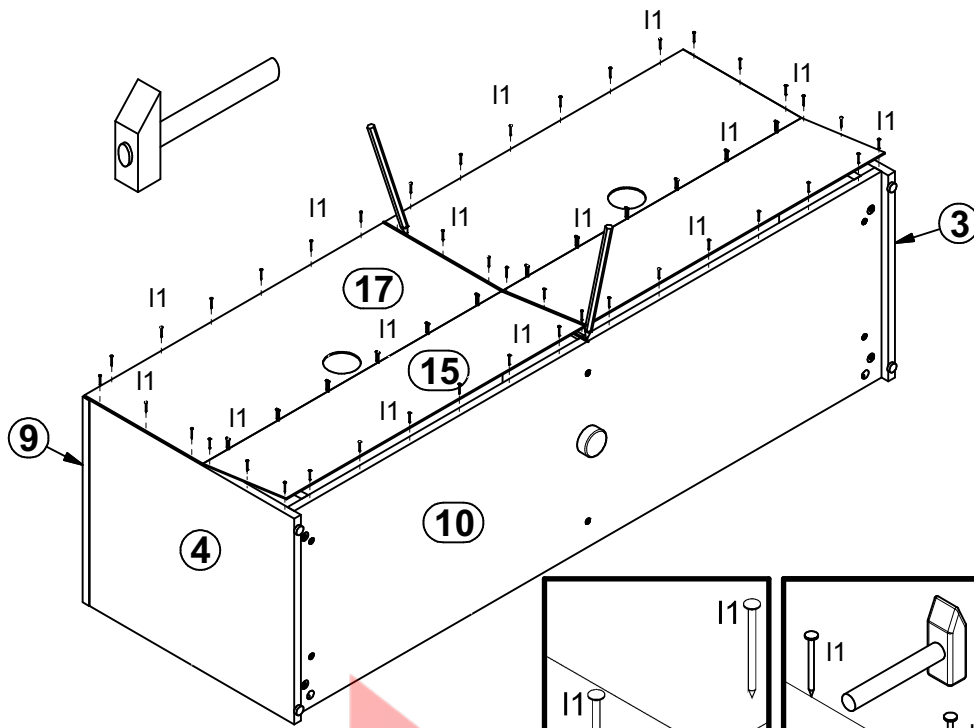
3



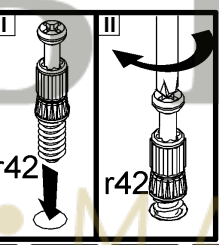
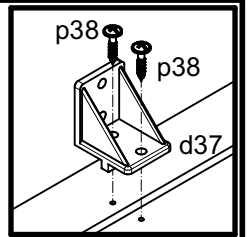
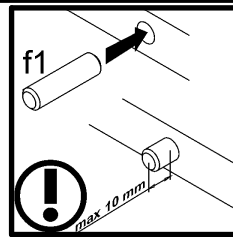
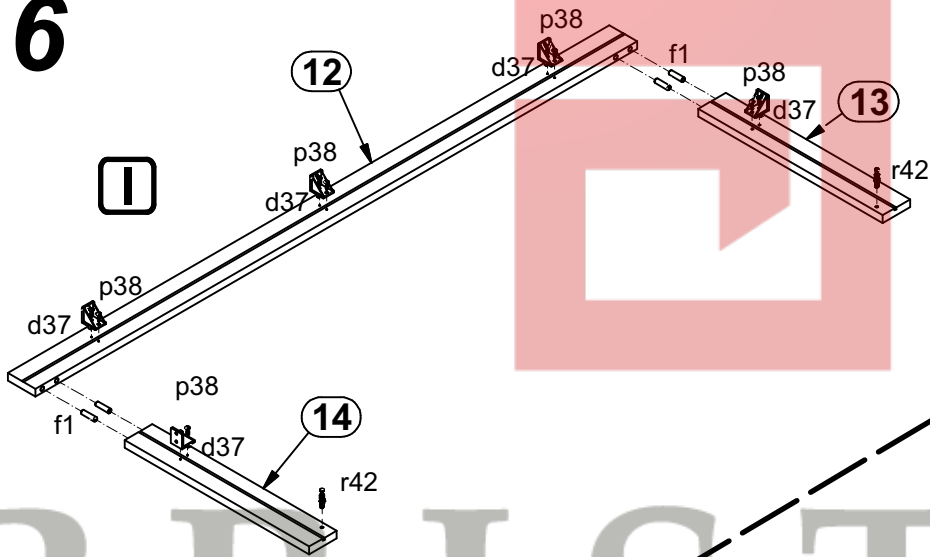
4



5



6



III

