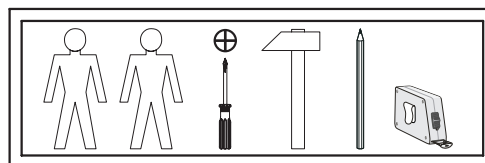
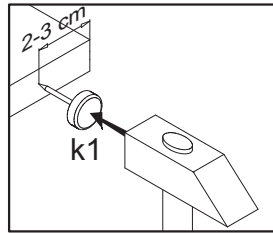
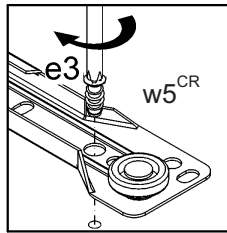
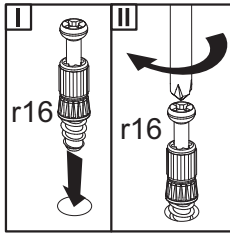
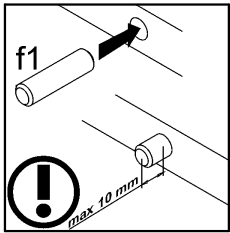
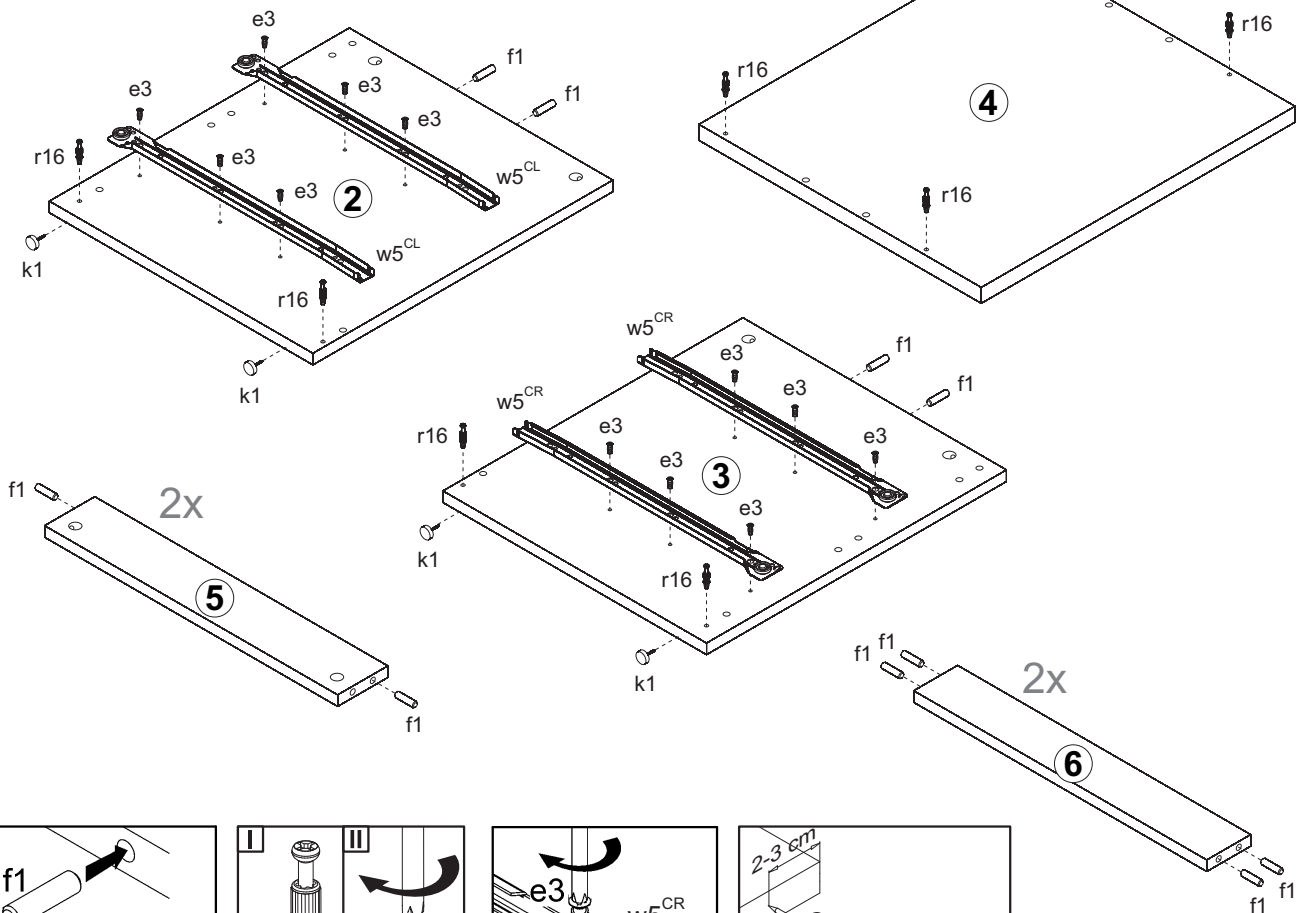


A	B	C	D	
1	SI1-012	495	196	1/1
2	SI1-109	478	420	1/1
3	SI1-110	478	420	1/1
4	SI1-203	500	450	1/1
5	SI1-407	467	80	1/1
6	SI1-416	467	70	1/1
7	SI1-562	400	105	1/1
8	SI1-563	400	105	1/1
9	SI1-557	410	105	1/1
10	SI1-906	425	399	1/1
11	SI1-907	495	447	1/1

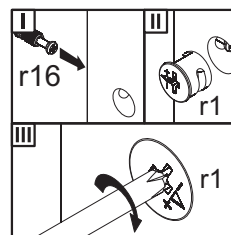
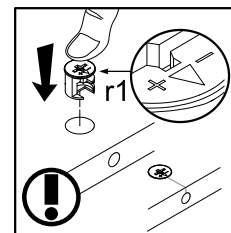
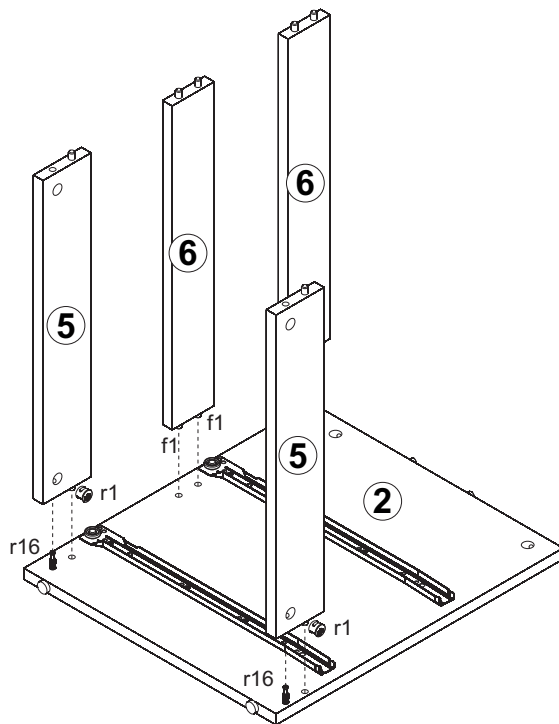


12x φ6x13 mm <b>e3</b>	8x φ5x50 mm <b>e32</b>	16x φ8x30 mm <b>f1</b>	4x <b>k1</b>	25x <b>l1</b>	3x φ3,5x16 mm <b>p38</b>	8x φ3x12 mm <b>p54</b>	16x φ15x12 mm #16 <b>r1</b>
16x 20/9 <b>r16</b>	8x φ16 <b>s2</b>	2x 400 mm <b>w5<sup>CL</sup></b>	2x 400 mm <b>w5<sup>CR</sup></b>	2x 400 mm <b>w5<sup>DL</sup></b>	2x 400 mm <b>w5<sup>DR</sup></b>		

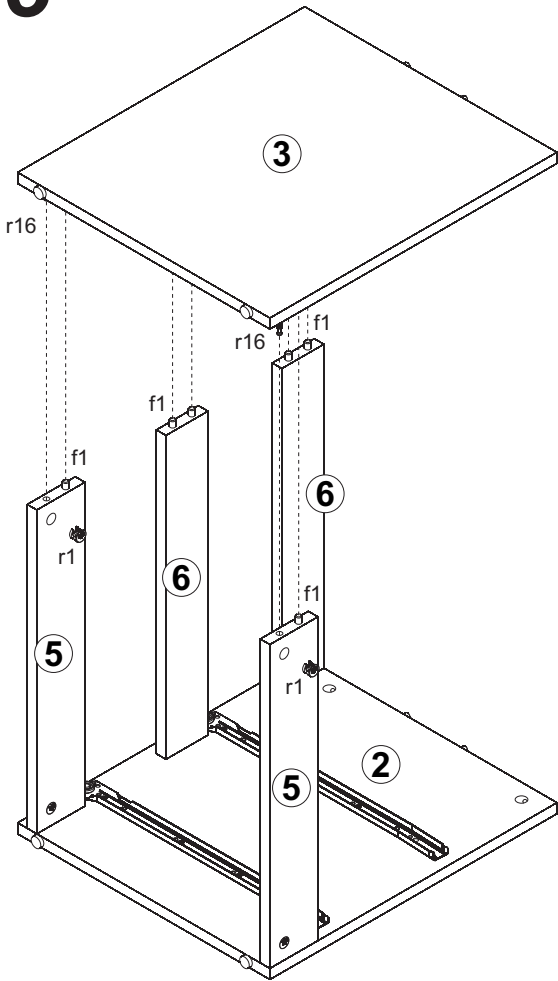
# 1



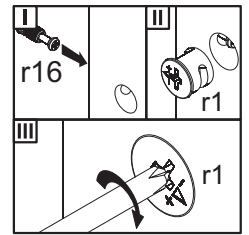
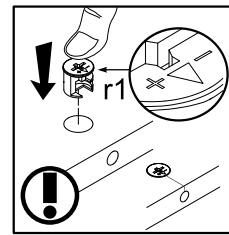
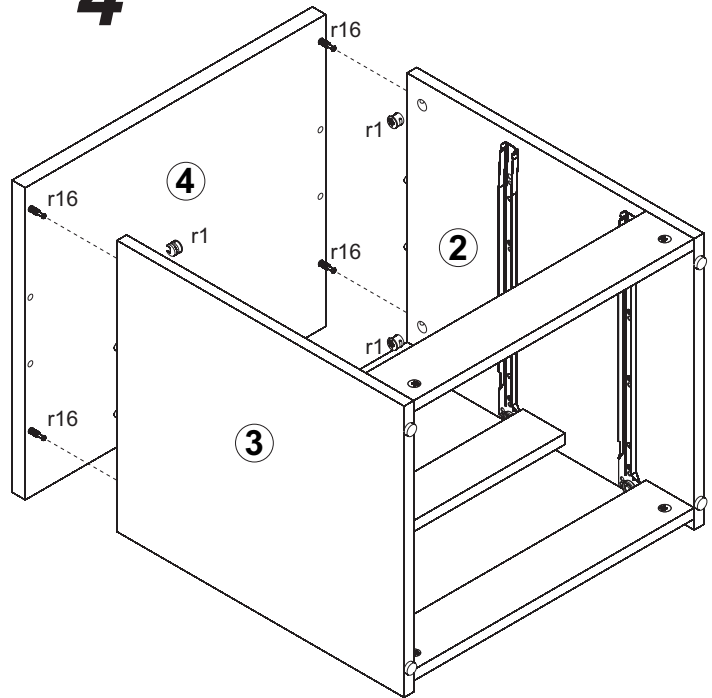
# 2



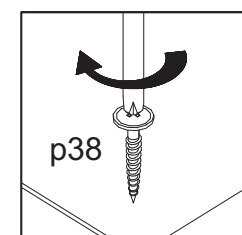
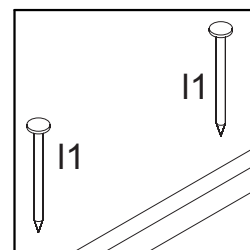
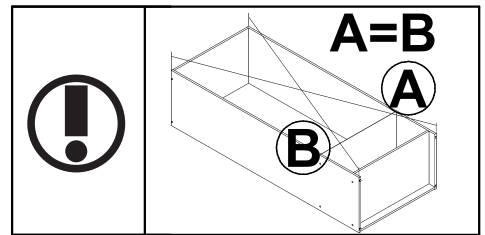
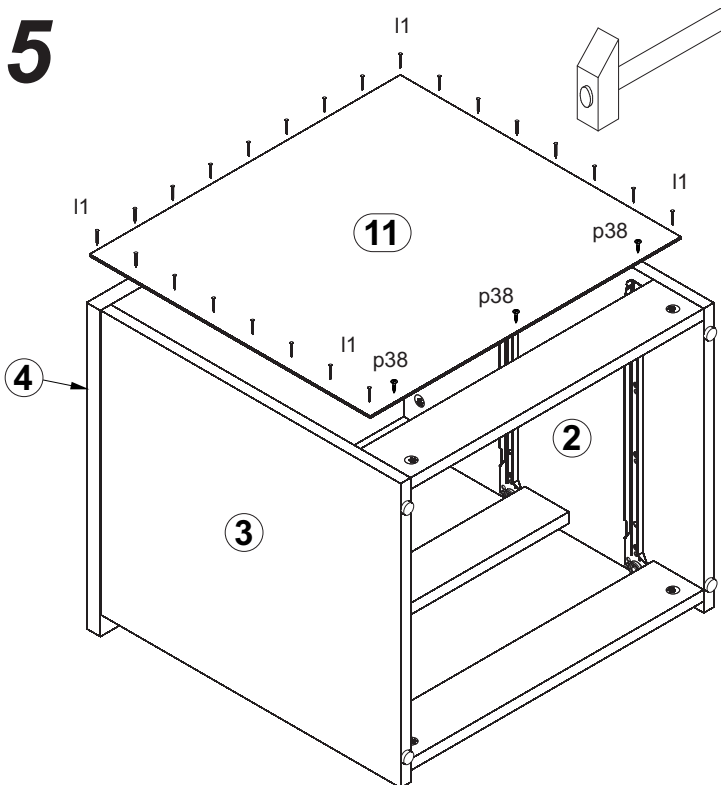
# 3



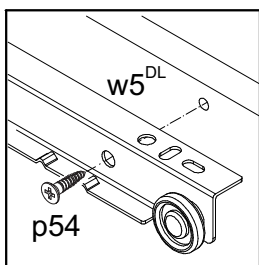
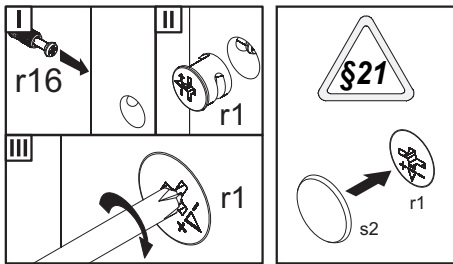
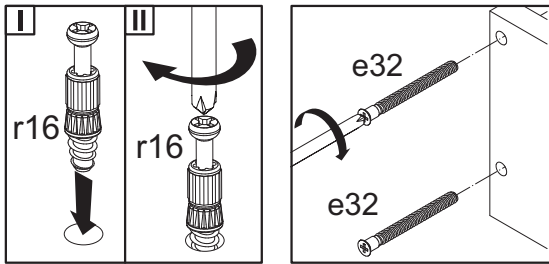
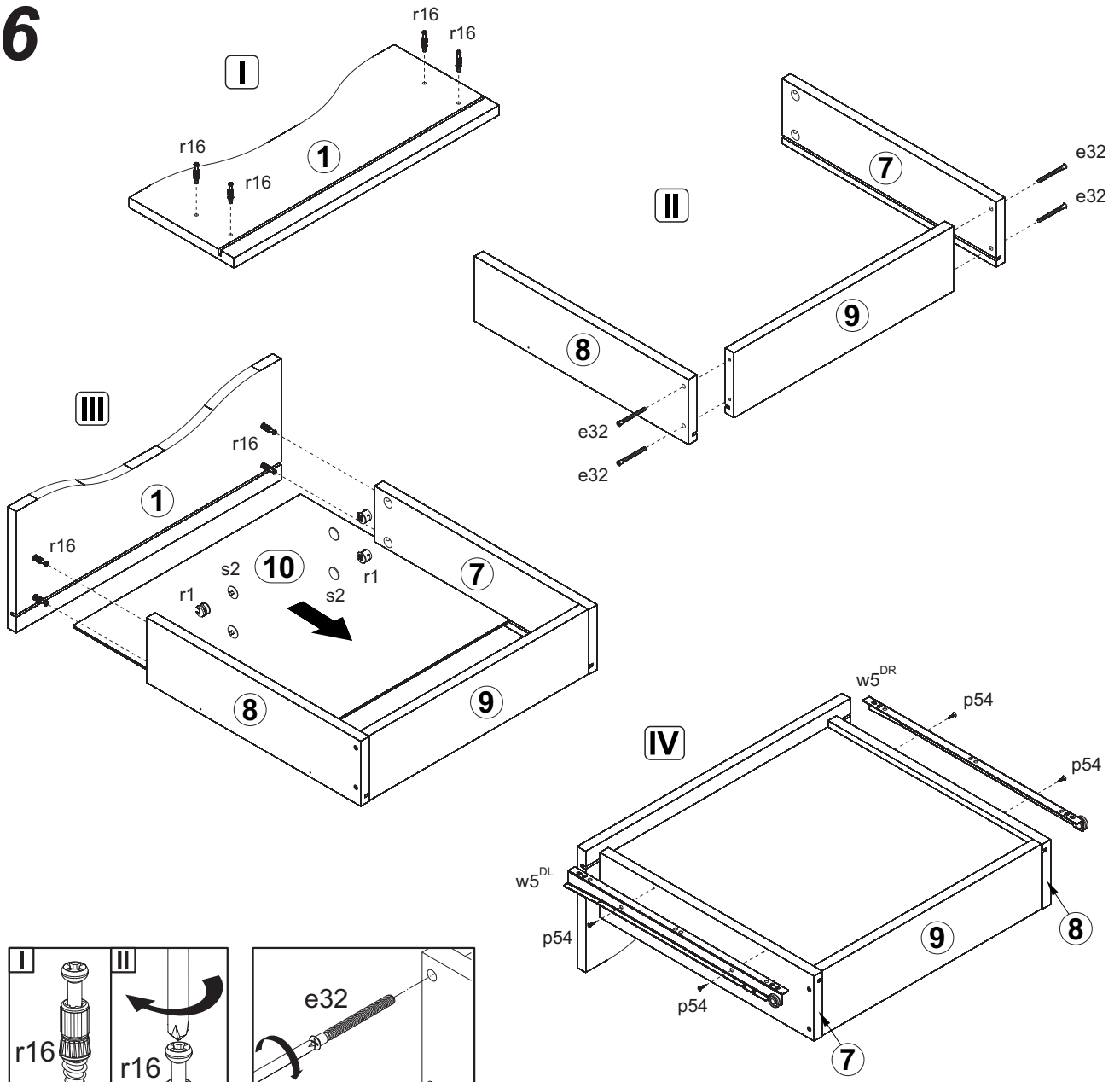
# 4



# 5



# 6



# 7

