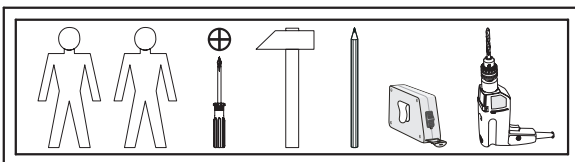
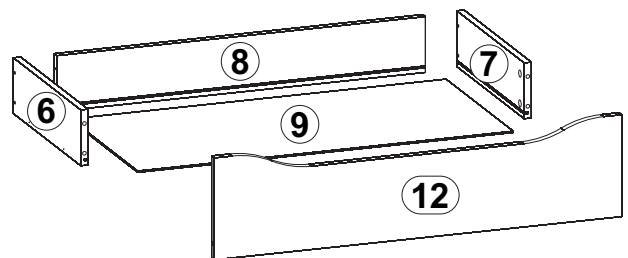
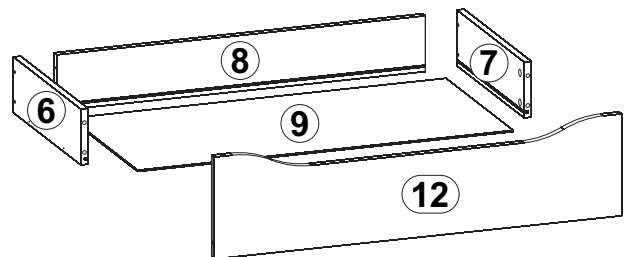
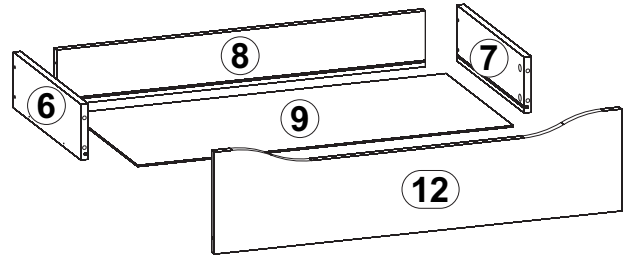
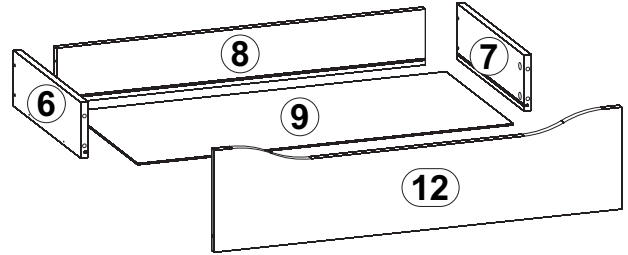
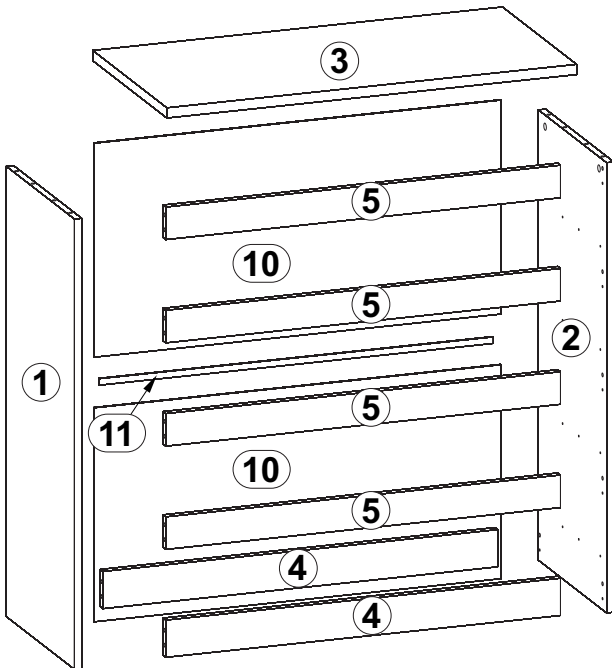
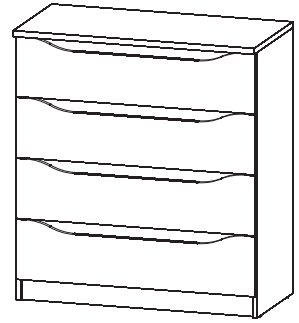
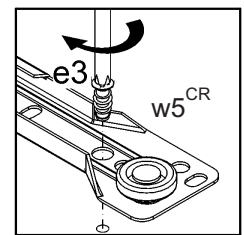
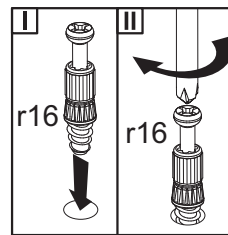
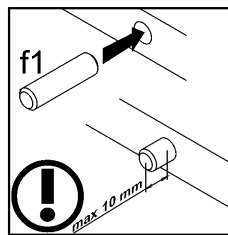
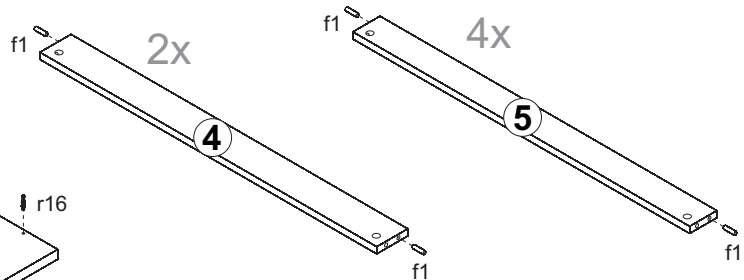
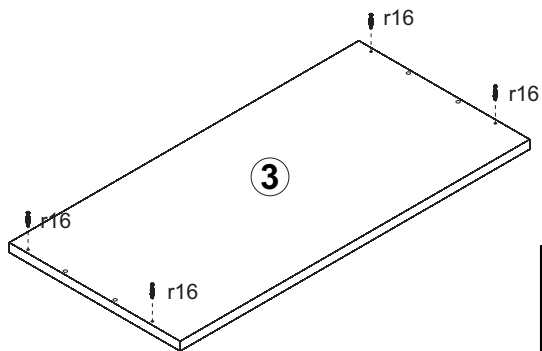
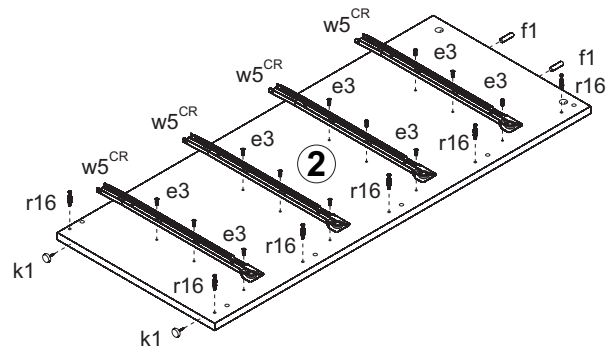
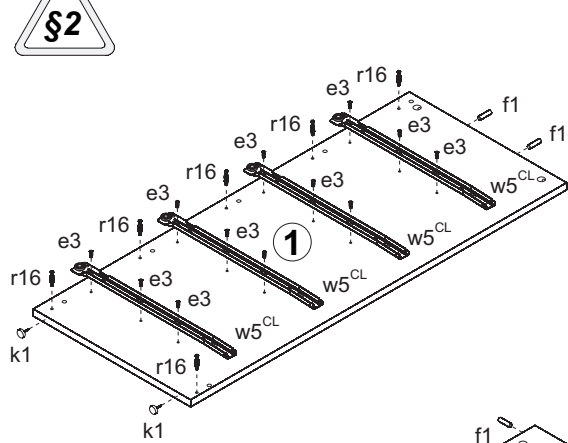


A	B	C	D	
1	SI1-101	968	405	1/2
2	SI1-102	968	405	1/2
3	SI1-201	900	440	1/2
4	SI1-406	867	80	1/2
5	SI1-417	867	70	1/2
6	SI1-551	400	120	1/2
7	SI1-552	400	120	1/2
8	SI1-553	810	120	1/2
9	SI1-901	399	825	1/2
10	SI1-902	460	894	1/2
11	LH-866	866	14	1/2
12	SI1-002	895	219	2/2

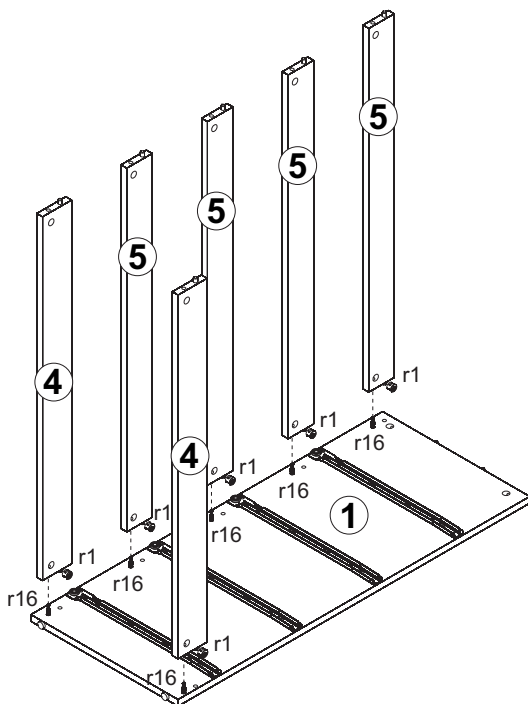


24x φ6x13 mm e3	16x φ5x50 mm e32	16x φ8x30 mm f1	4x k1	35x l1	1x n26\1	8x φ3,5x16 mm p25	7x φ3,5x16 mm p38
16x φ3x12 mm p54	32x φ15x12 mm #16 r1	32x 20/9 r16	16x φ16 s2	4x 383 mm t14	4x 400 mm w5^{CL}	4x 400 mm w5^{CR}	4x 400 mm w5^{DL}
4x 400 mm w5^{DR}							

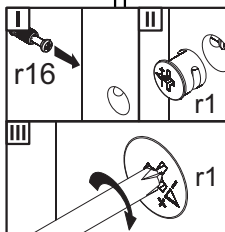
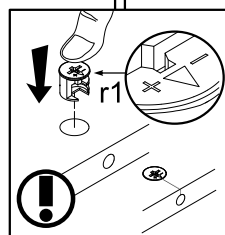
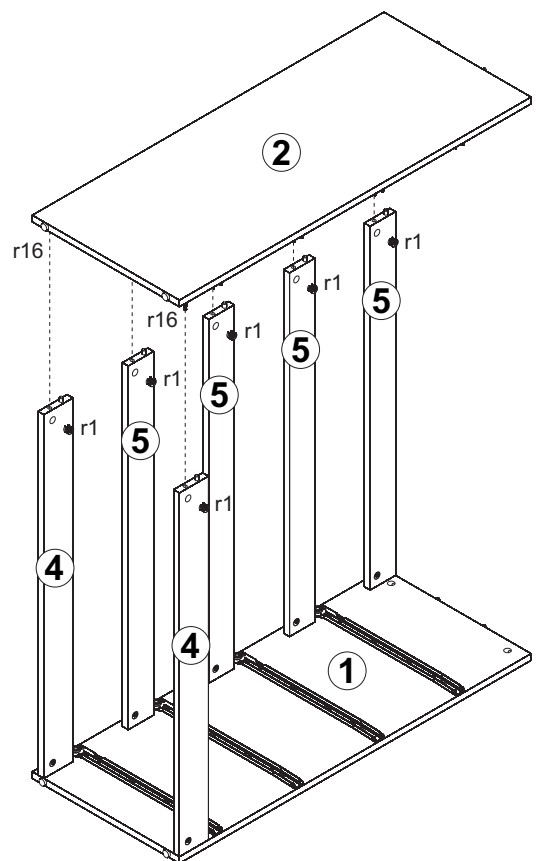
1



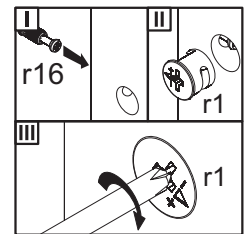
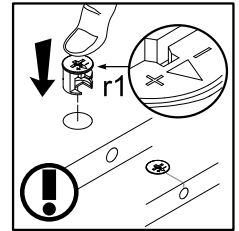
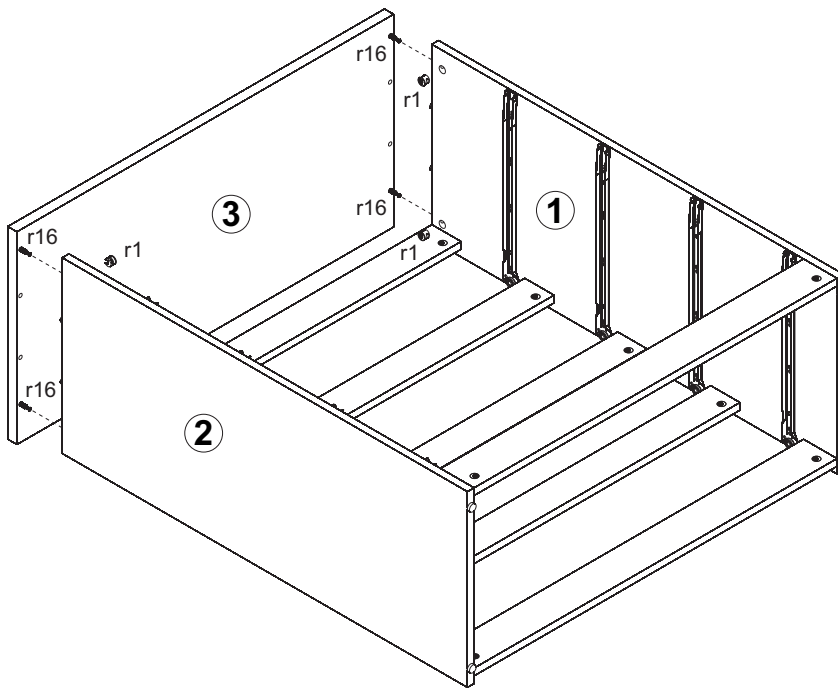
2



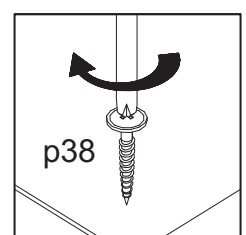
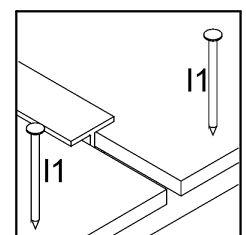
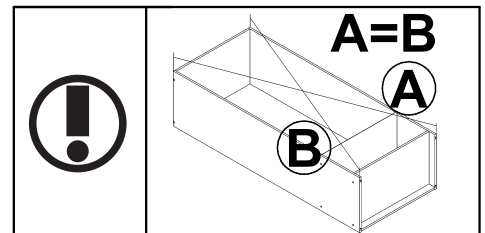
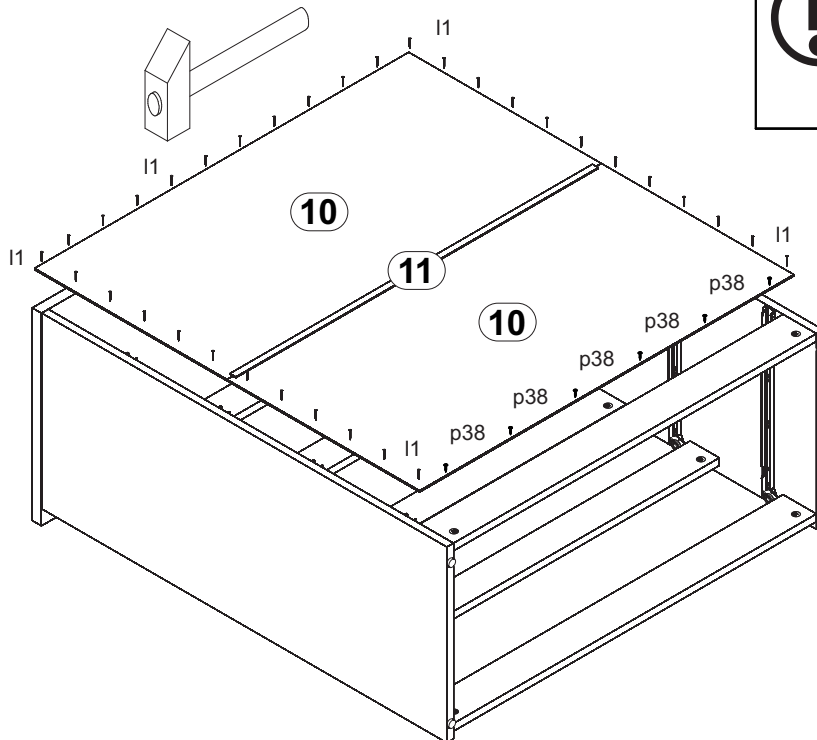
3



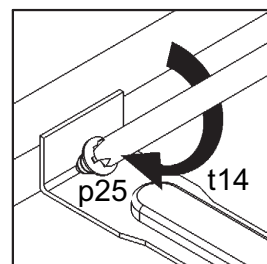
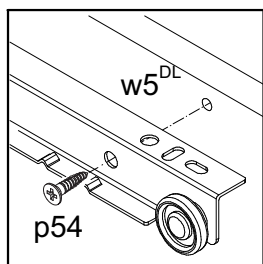
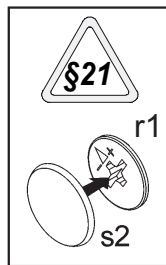
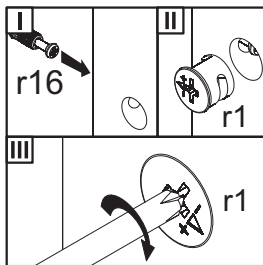
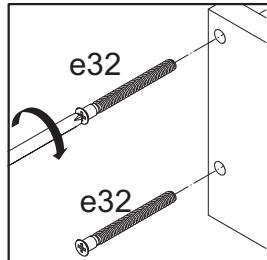
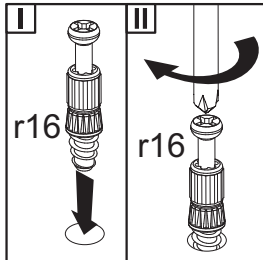
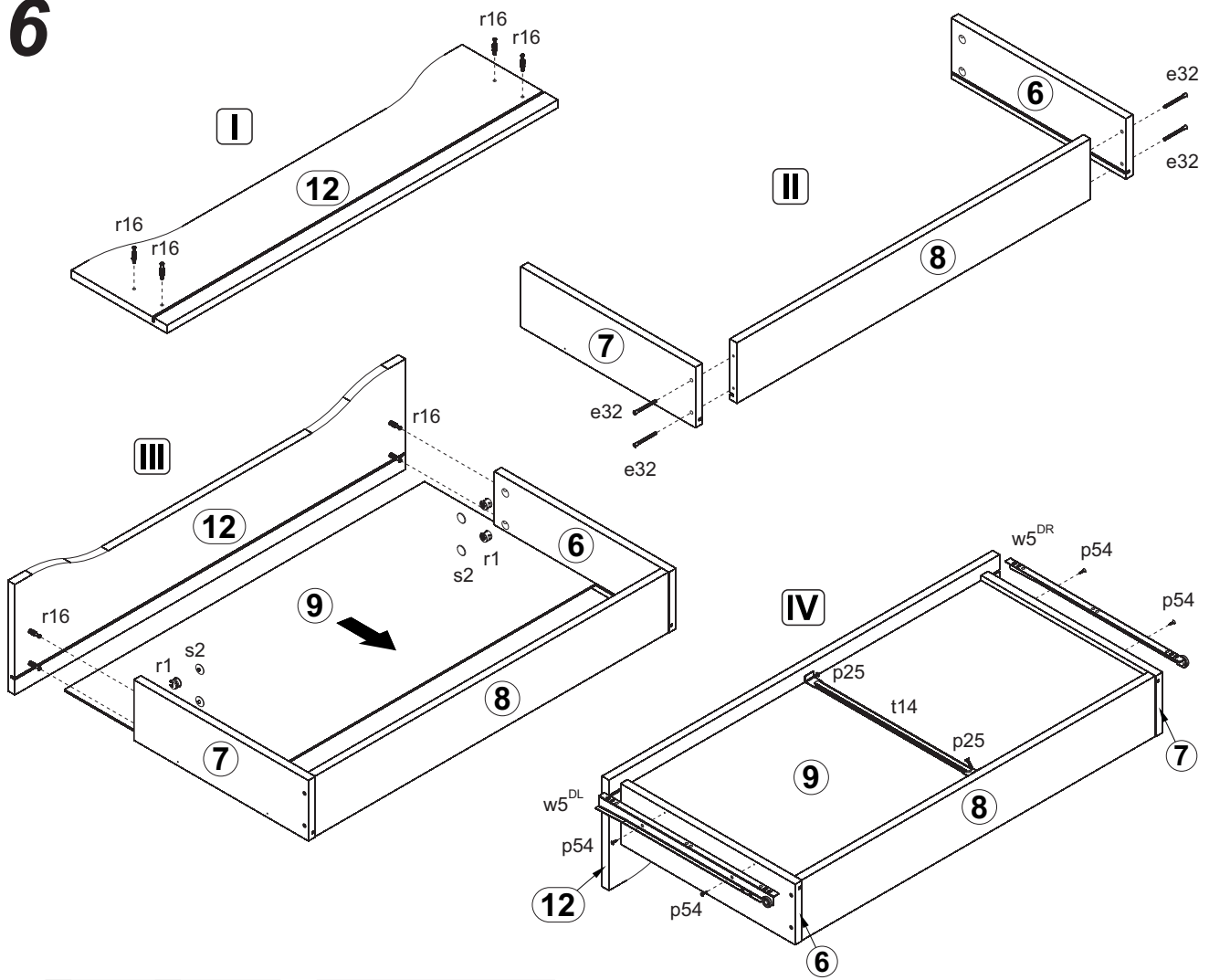
4



5



6



7

