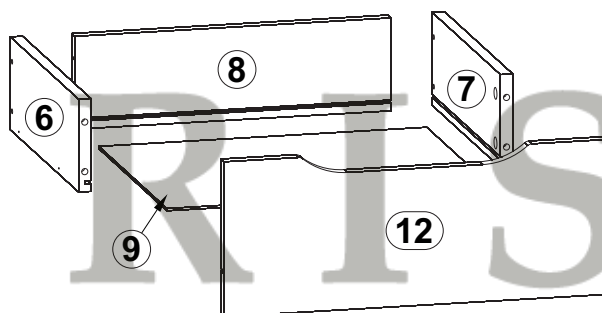
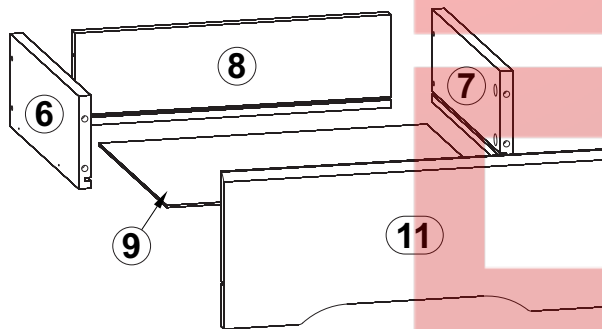
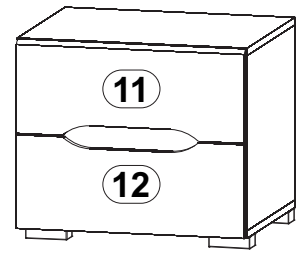
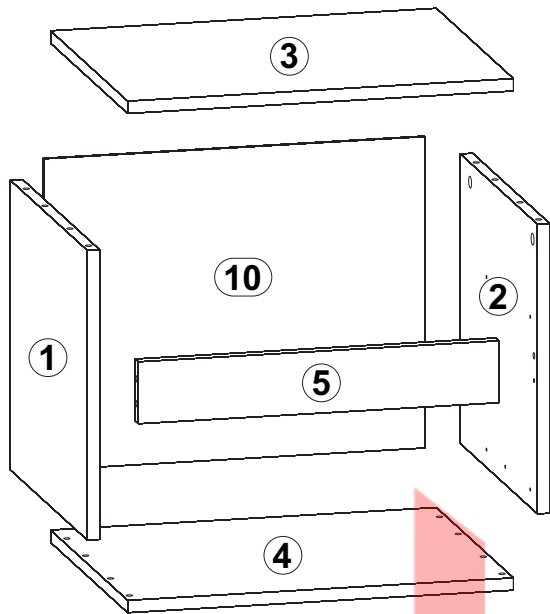
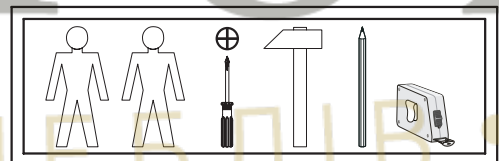


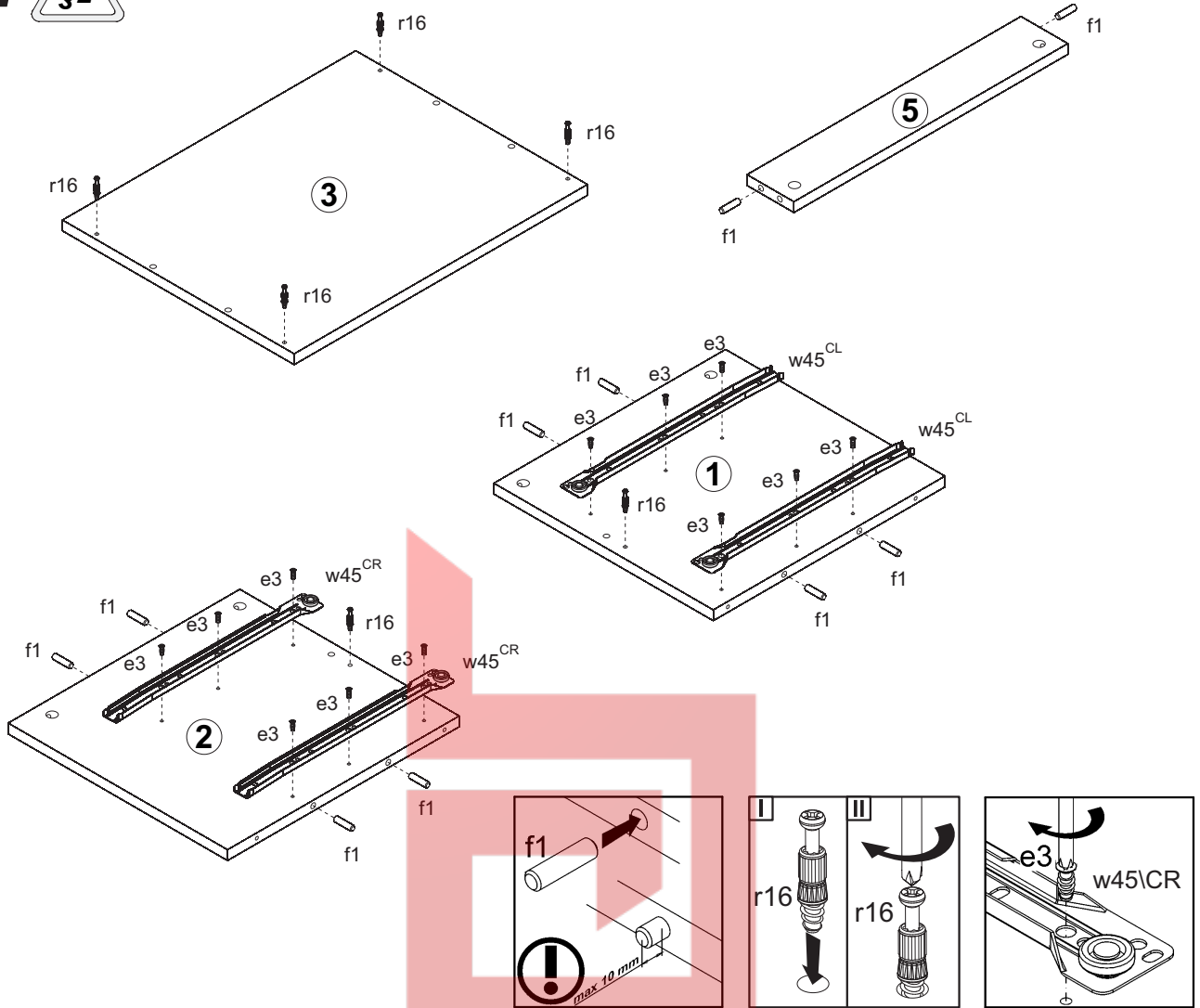
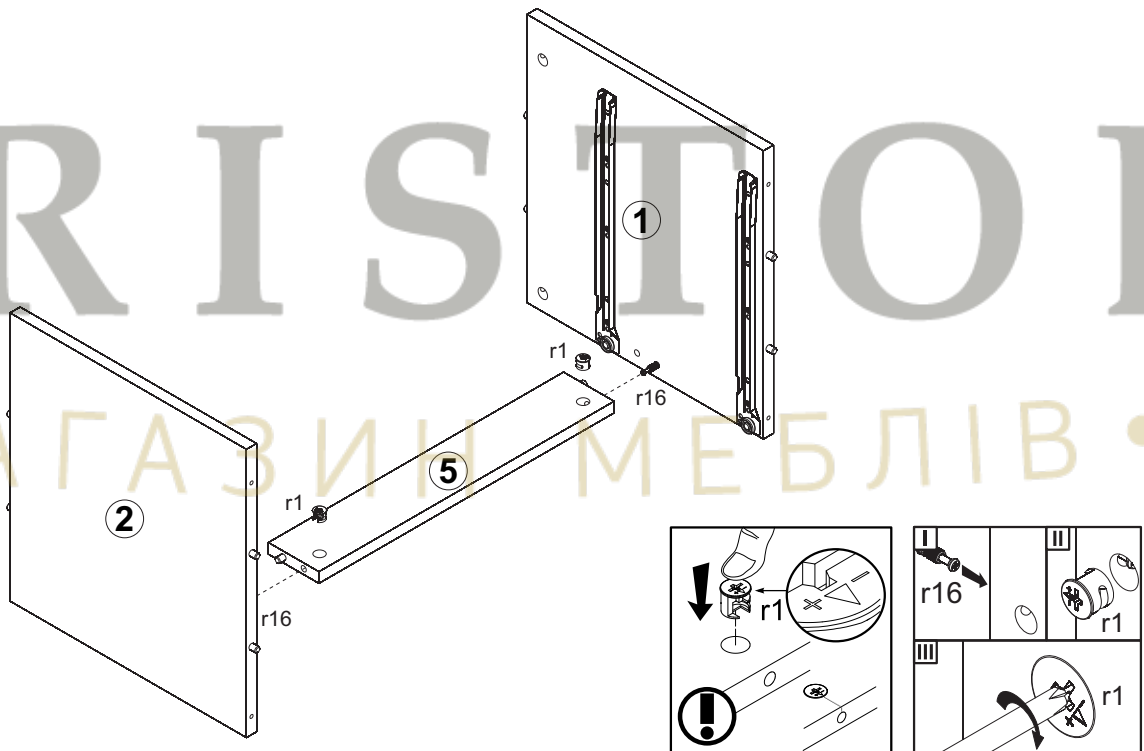
# ЕЛЬПАСО / ЭЛЬПАССО Тумба приліжкова / Тумба прикرواتная КОМ2S



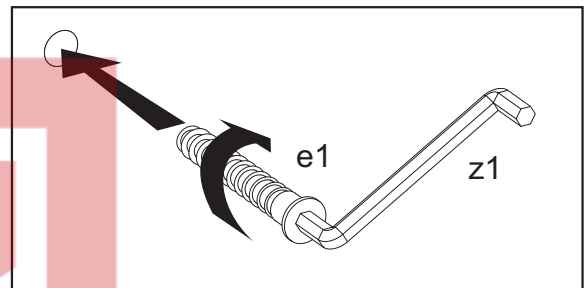
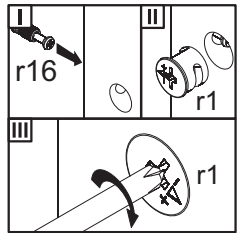
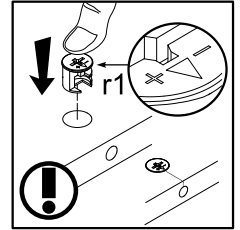
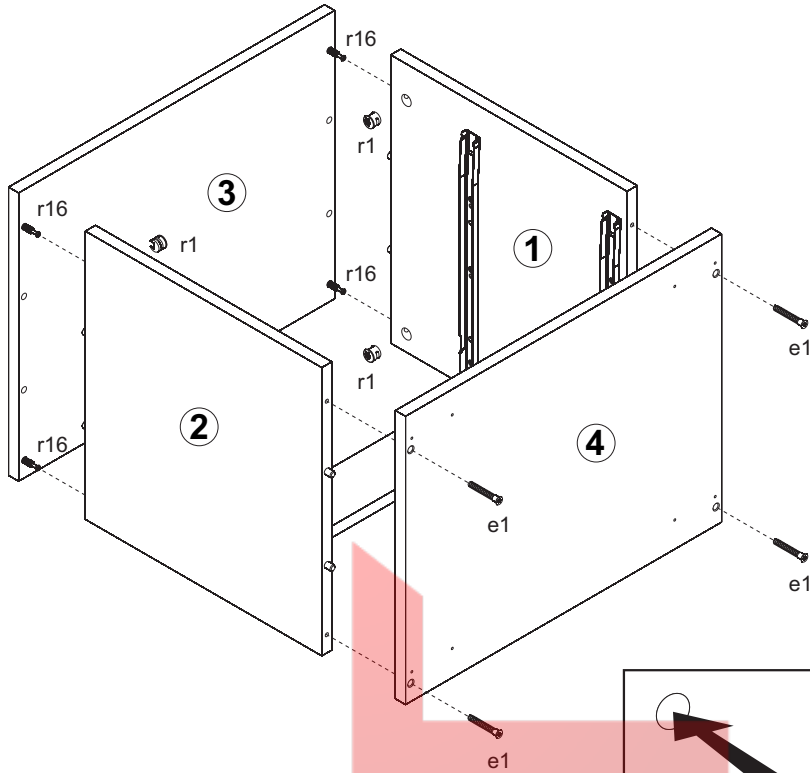
| A  | B        | C   | D   |     |
|----|----------|-----|-----|-----|
| 1  | S314-137 | 374 | 395 | 1/2 |
| 2  | S314-138 | 374 | 395 | 1/2 |
| 3  | S314-223 | 500 | 395 | 1/2 |
| 4  | S314-224 | 500 | 395 | 1/2 |
| 5  | S314-579 | 467 | 80  | 1/2 |
| 6  | S314-551 | 350 | 120 | 1/2 |
| 7  | S314-552 | 350 | 120 | 1/2 |
| 8  | S314-578 | 410 | 120 | 1/2 |
| 9  | S314-922 | 349 | 425 | 1/2 |
| 10 | S314-923 | 400 | 494 | 1/2 |
| 11 | S314-041 | 496 | 200 | 2/2 |
| 12 | S314-042 | 496 | 200 | 2/2 |



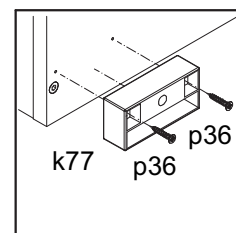
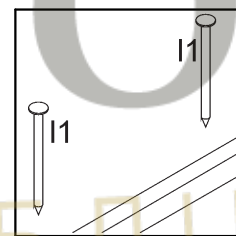
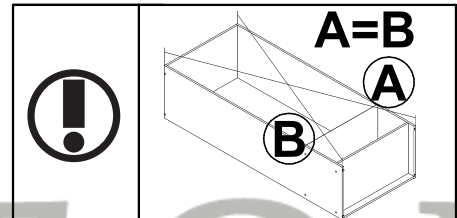
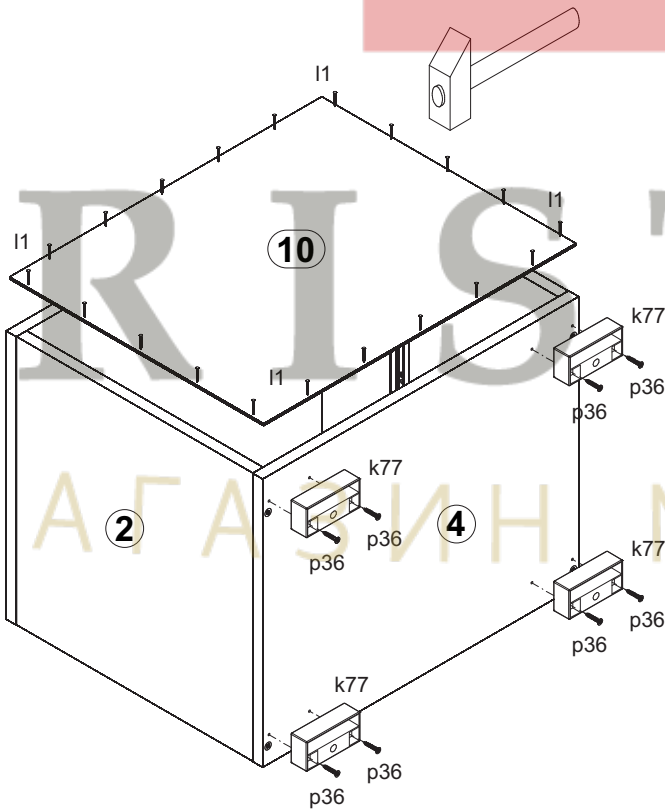
|                              |                                   |                              |   |   |   |   |                         |
|------------------------------|-----------------------------------|------------------------------|---|---|---|---|-------------------------|
| 4x<br>φ7x50 mm<br><b>e1</b>  | 12x<br>φ6x13 mm<br><b>e3</b>      | 8x<br>φ5x50 mm<br><b>e32</b> | 10x<br>φ8x30 mm<br><b>f1</b>            | 4x<br>84x40/25 mm<br><b>k77</b>         | 20x<br><b>l1</b>                        | 8x<br>φ4x25 mm<br><b>p36</b>            | 10x<br>φ16<br><b>s2</b> |
| 8x<br>φ3x12 mm<br><b>p54</b> | 14x<br>φ15x12 mm #16<br><b>r1</b> | 14x<br>20/9<br><b>r16</b>    | 2x<br>350 mm<br><b>w45<sup>CL</sup></b> | 2x<br>350 mm<br><b>w45<sup>CR</sup></b> | 2x<br>350 mm<br><b>w45<sup>DL</sup></b> | 2x<br>350 mm<br><b>w45<sup>DR</sup></b> | 1x<br><b>z1</b>         |

**1****2**

# 3



# 4



# 5

