

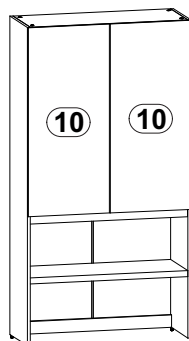
МОДЕН, МОДЕН-Р

Надставка NAD2D/90

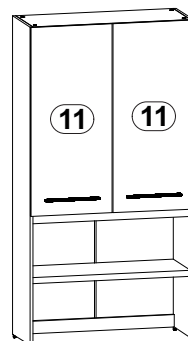
A	B	C	D	
1	S321-103	1718	355	1/3
2	S321-104	1718	355	1/3
3	S321-903	1682	446	1/3
4	LH-1633	1633		1/3
5	S321-302	867	354	2/3
6	S321-303	867	345	2/3
7	S321-304	867	354	2/3
8	S321-428	867	60	2/3
9	S321-409	867	68	2/3
10	S321-002	446	1020	3/3
11	S321-002-01	446	1020	3/3



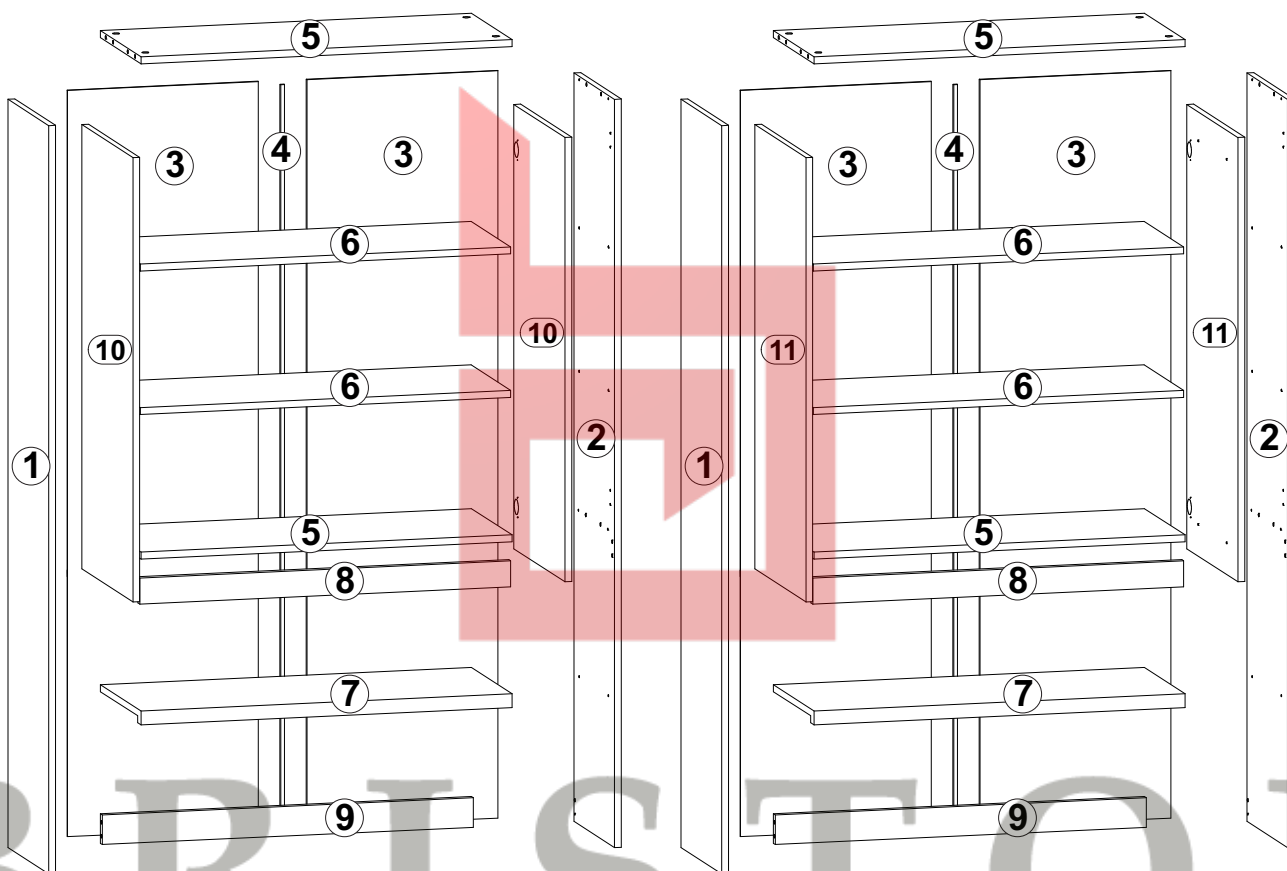
→ МОДЕН
→ МОДЕН-Р



МОДЕН

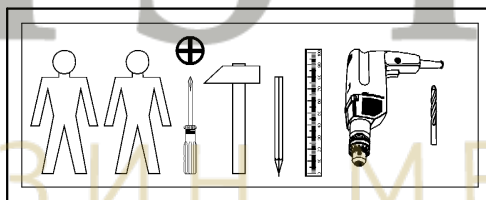


МОДЕН-Р



МОДЕН

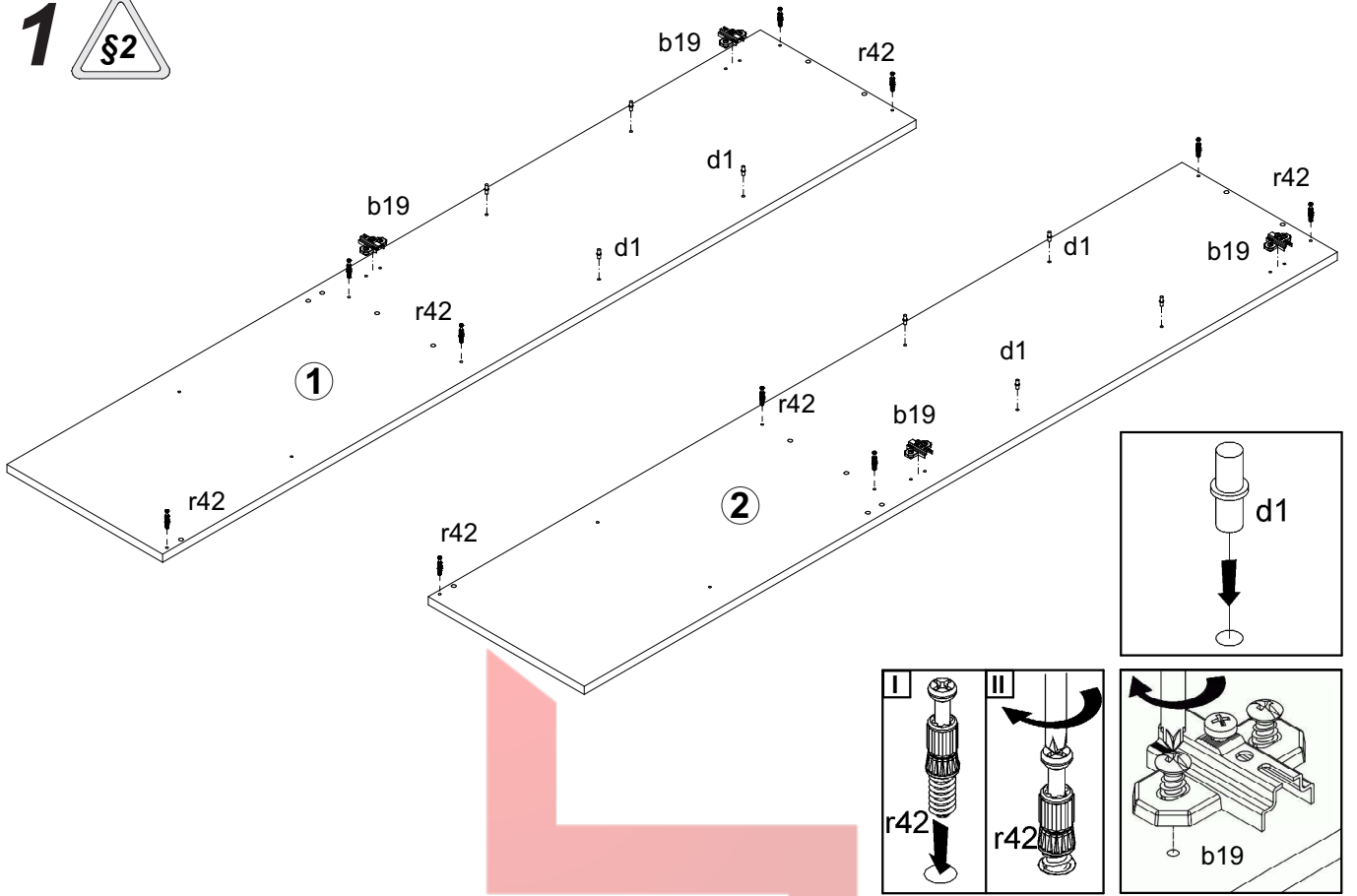
МОДЕН-Р



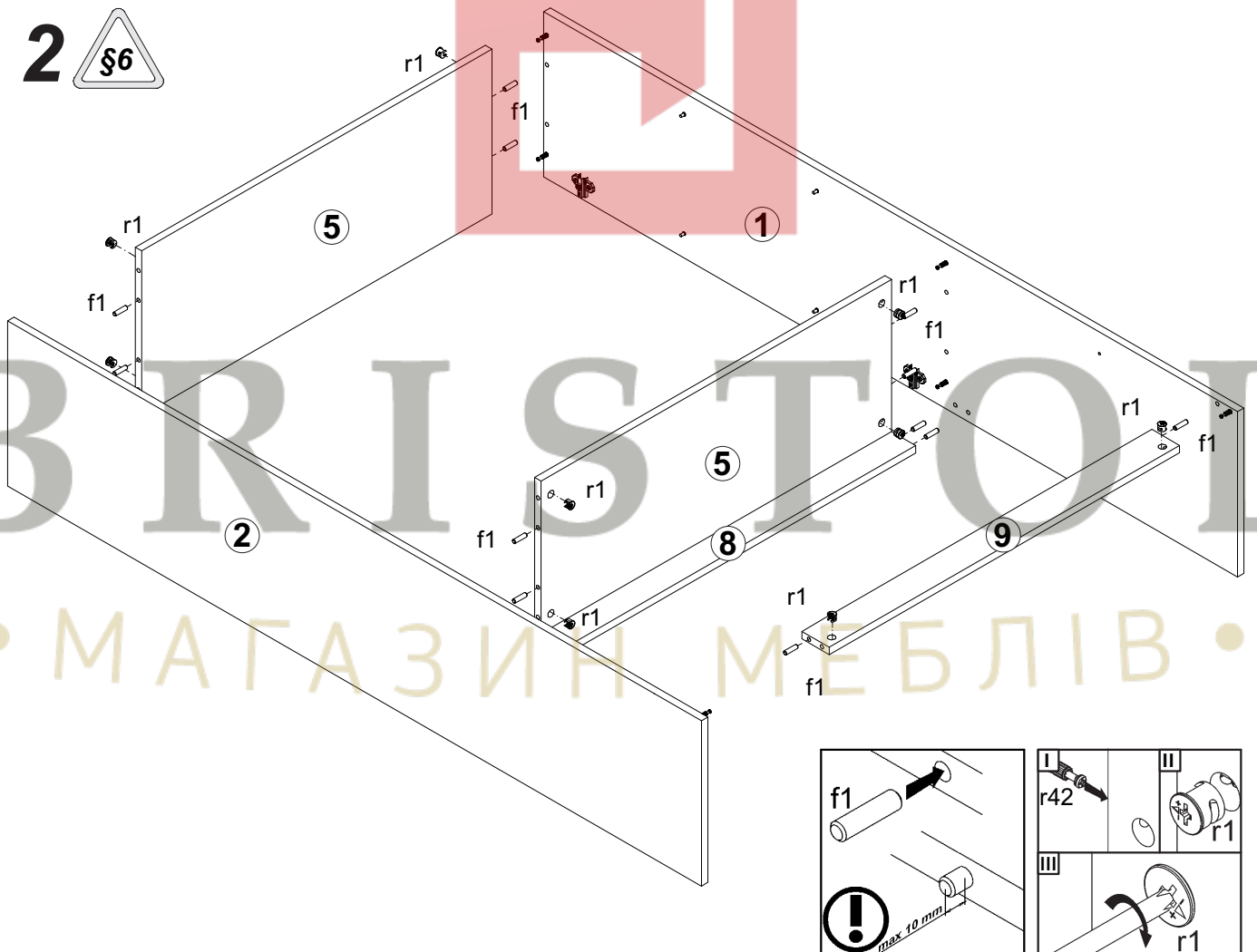
4x a44	4x b19	8x d1 φ5x17 mm	14x f1 φ8x30 mm	50x l1	1x n26/1	2x n52 62x12/1mm	4x o21 silikon
7x p38 φ3,5x16 mm	8x p51 φ3,5x15 mm	6x p79 φ3,5x20 mm	10x r1 φ15x12mm #16	4x r36 φ20x12mm #16	4x r37 6,7/7,8	10x r42 20/11	4x s2 φ16
4x p8 φ4x25 mm						2x c253 ⁸ 295 mm	

МОДЕН-Р

1 



2 



4 МОДЕН-Р

