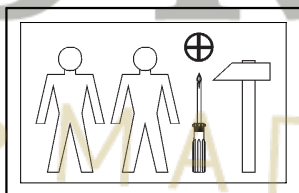
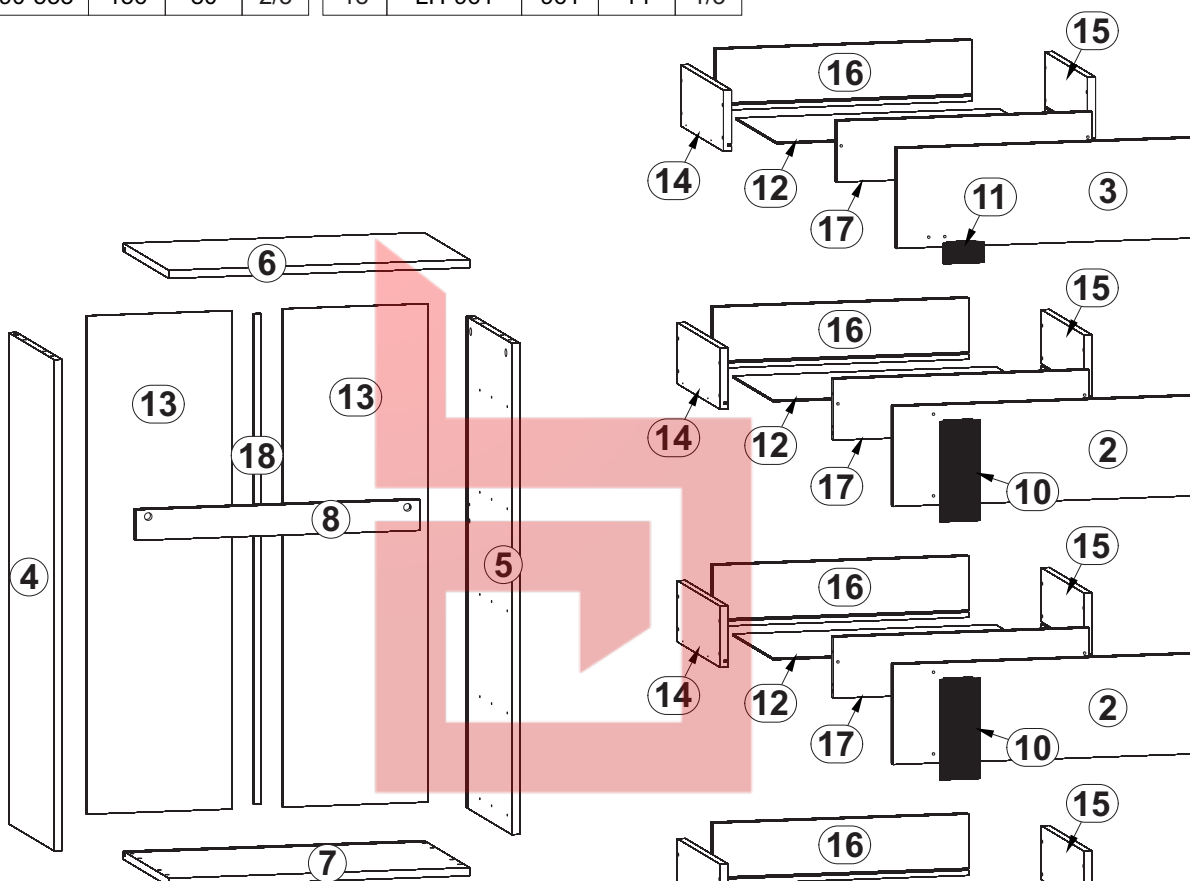
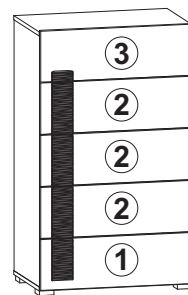
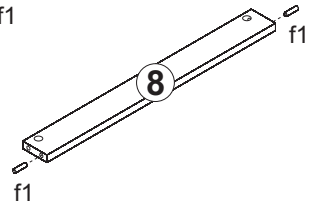
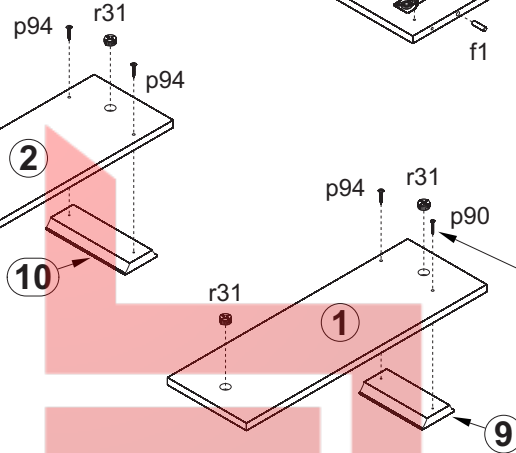
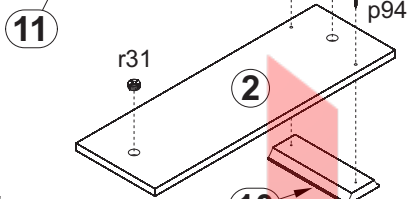
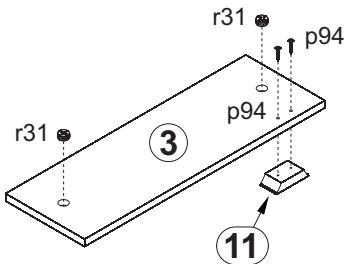
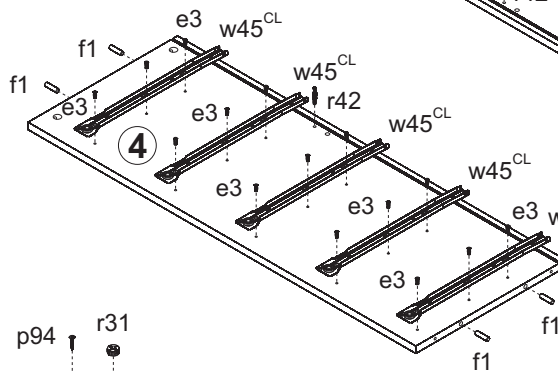
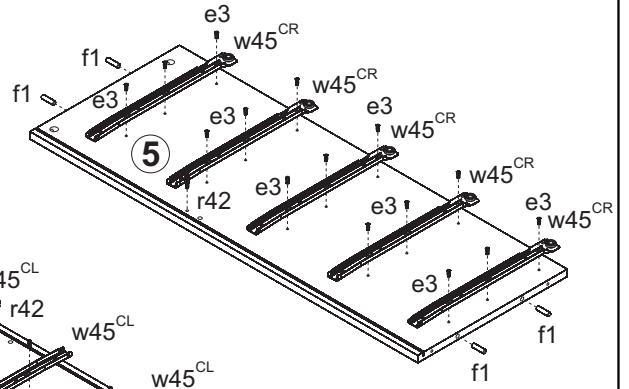
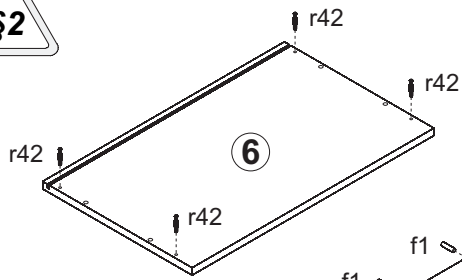


A	B	C	D	A	B	C	D		
1	S190-016	596	196	3/3	10	S190-554	196	80	2/3
2	S190-017	596	196	3/3	11	S190-555	40	80	2/3
3	S190-018	596	196	3/3	12	S190-909	525	333	1/3
4	S190-117	962	371	1/3	13	S190-914	976	290	1/3
5	S190-118	962	371	1/3	14	S190-505	350	120	1/3
6	S190-207	600	371	1/3	15	S190-506	350	120	1/3
7	S190-208	600	371	1/3	16	S190-507	510	120	1/3
8	S190-407	567	60	1/3	17	S190-508	510	120	1/3
9	S190-553	156	80	2/3	18	LH-961	961	14	1/3

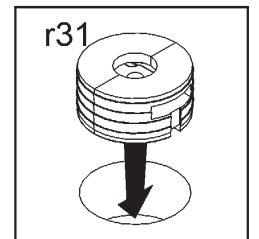
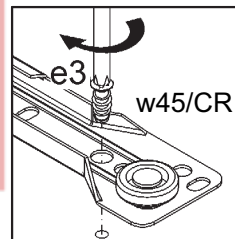
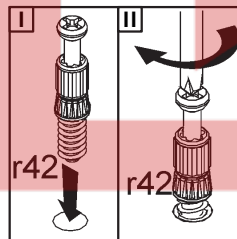
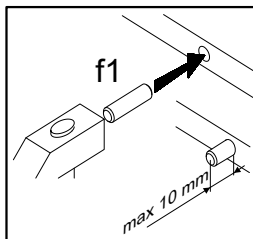
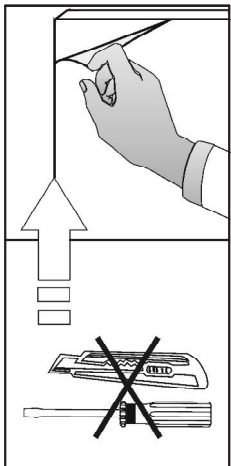


4x φ7x50 mm e1	38x φ6x13 mm e3	40x φ5x50 mm e32	10x φ8x30 mm f1	10x M4x22 mm j30	4x k821	4x k822	16x l2	1x n26\1
1x φ3,5x16 mm p38	20x φ3x12 mm p54	1x φ4x28 mm p90	9x φ4x28 mm p94	6x φ15x12mm #16 r1	10x φ21x10mm r31	6x 20/11 r42	2x φ16 s2	5x 350 mm w45 ^{CL}
5x 350 mm w45 ^{CR}	5x 350 mm w45 ^{DL}	5x 350 mm w45 ^{DR}	1x z1					

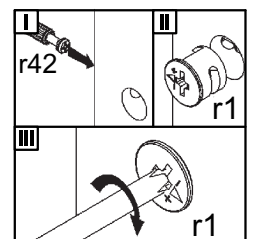
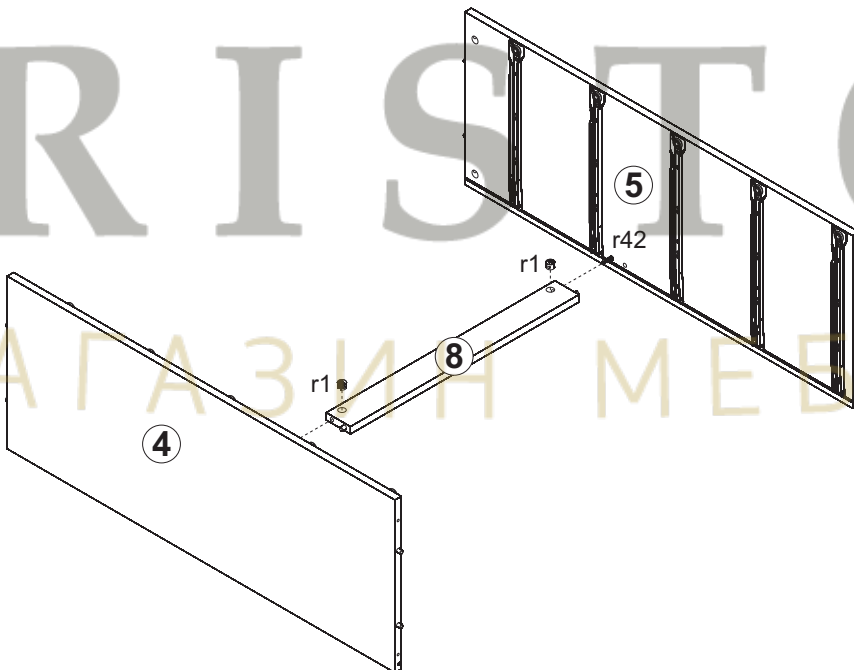
1 §2



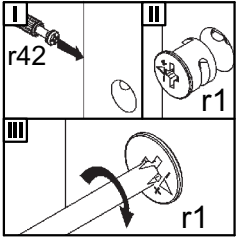
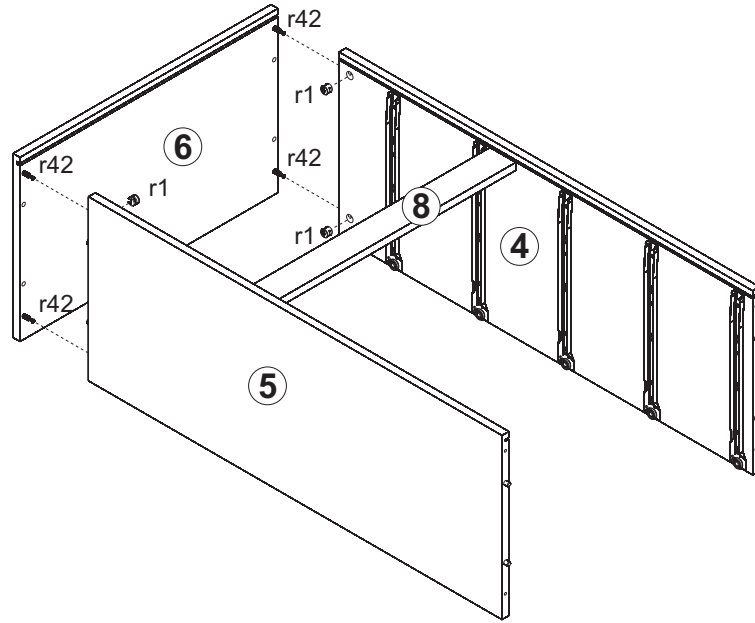
§23



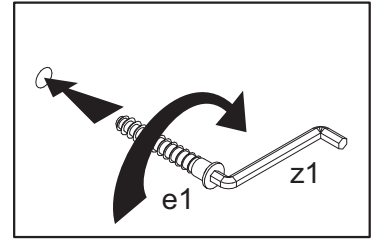
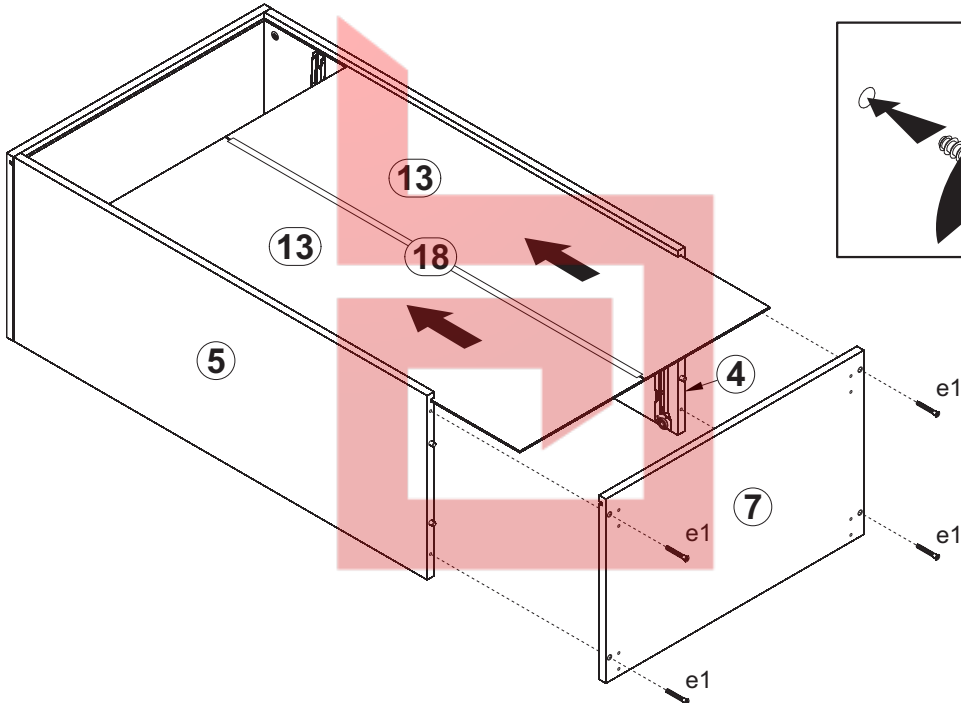
2 §6



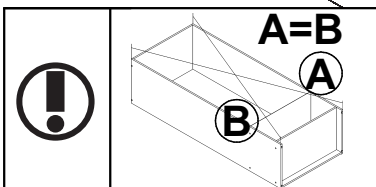
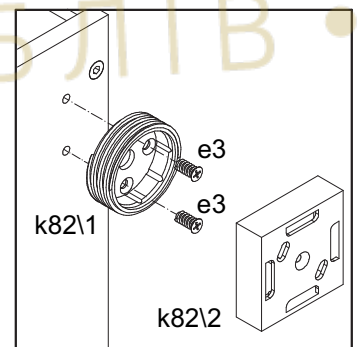
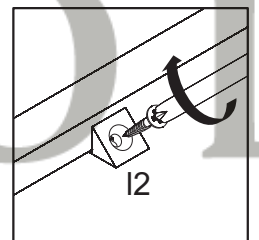
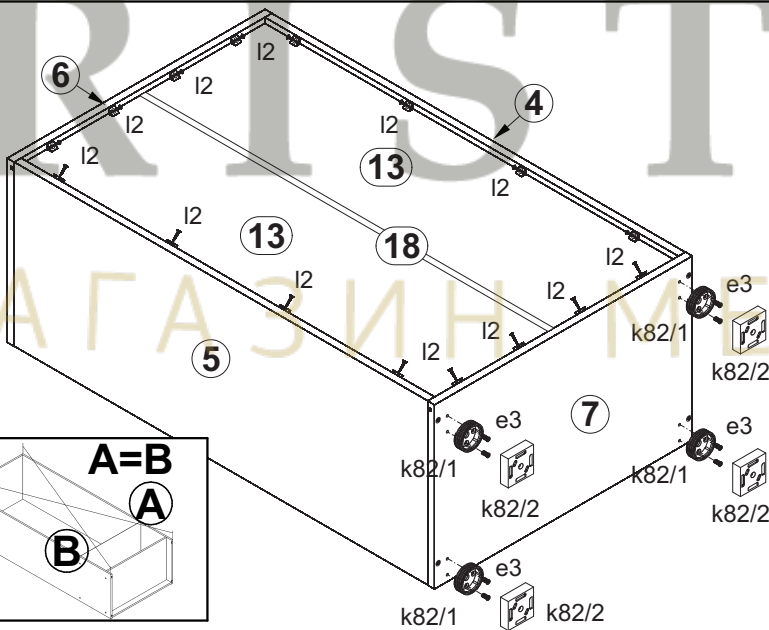
3



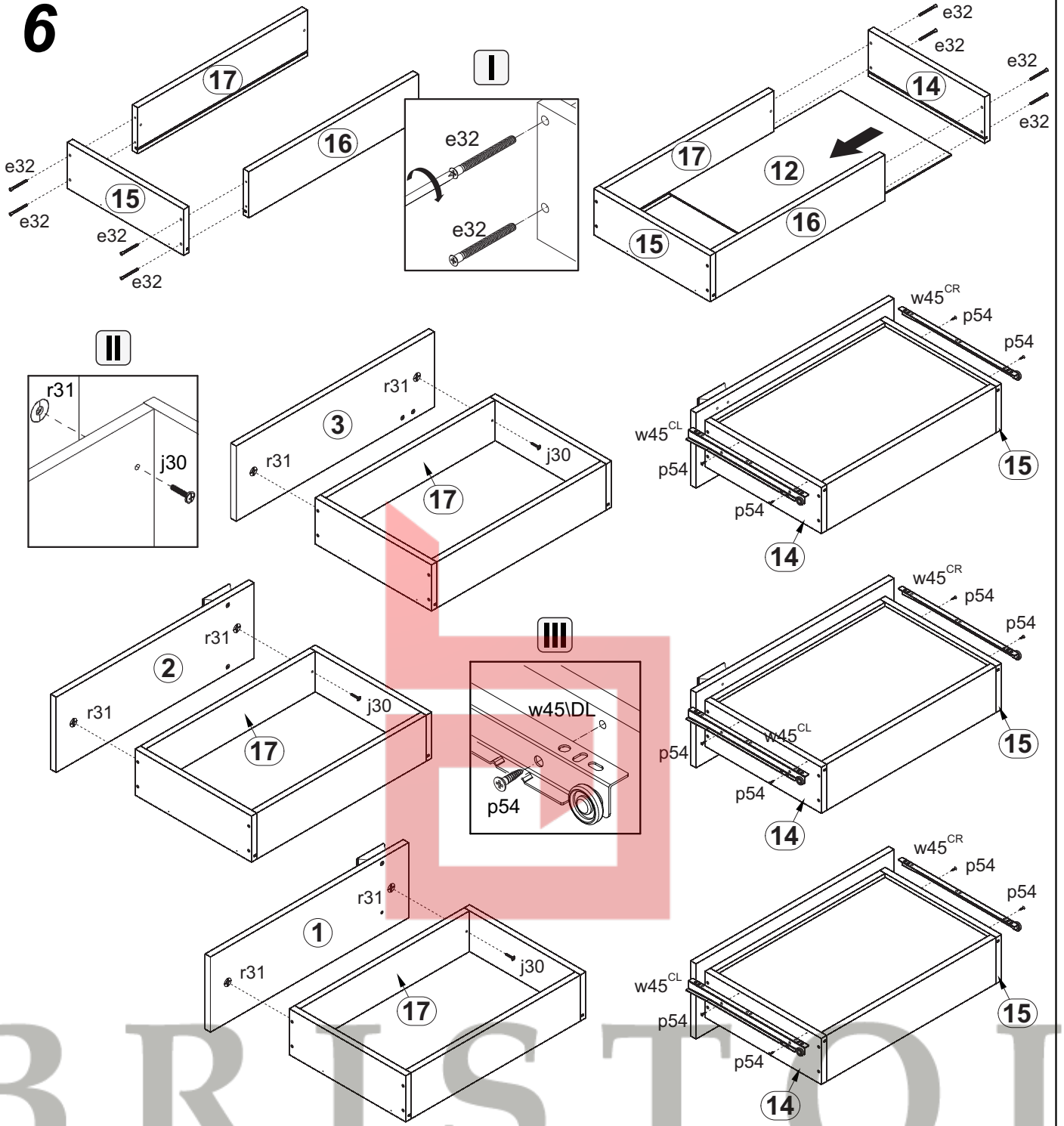
4



5



6



7

