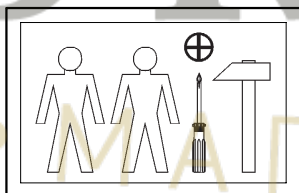
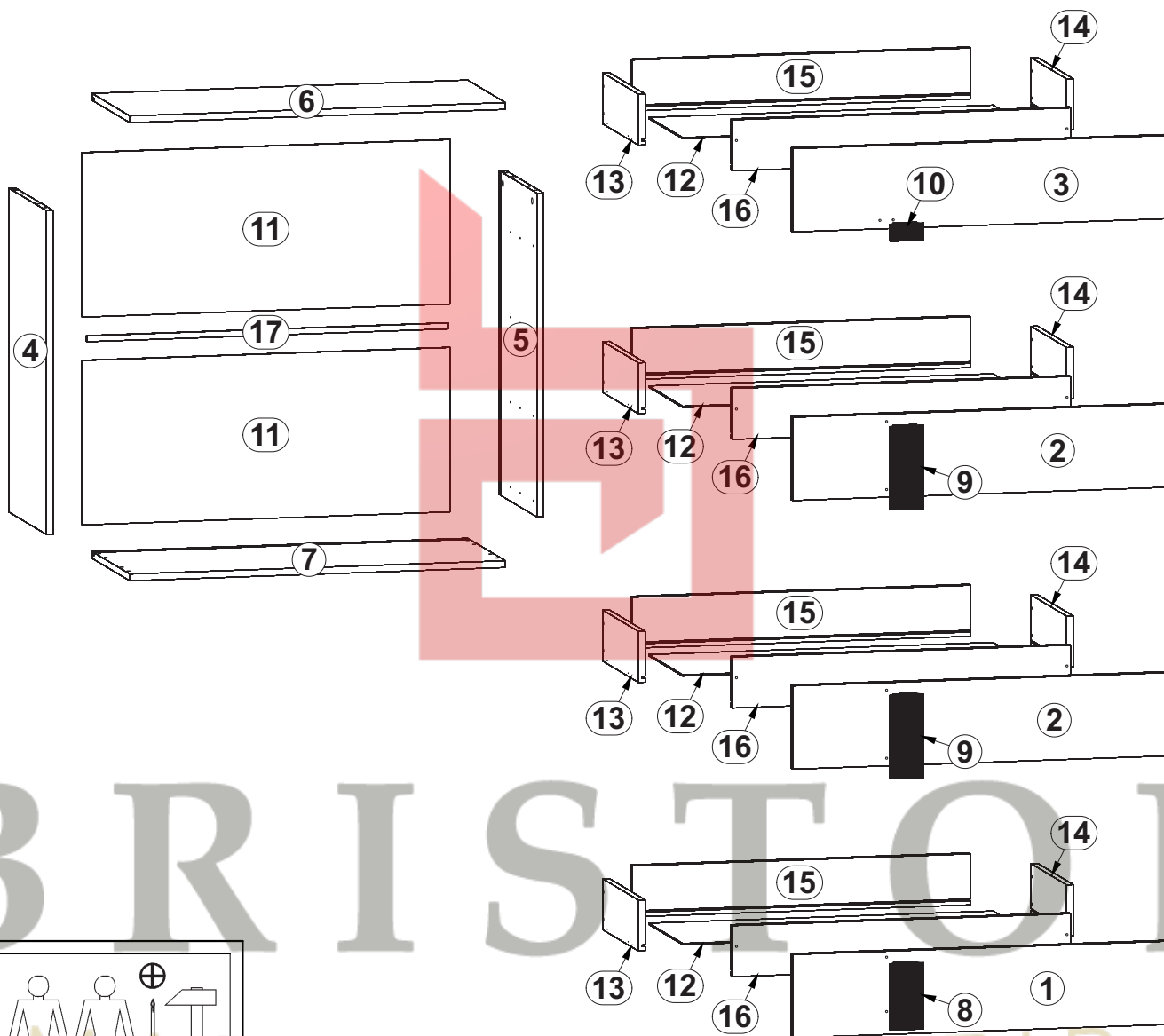
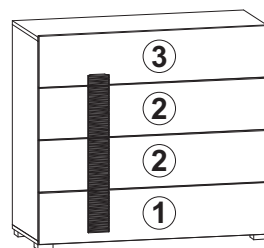


ДОМЕНІКА

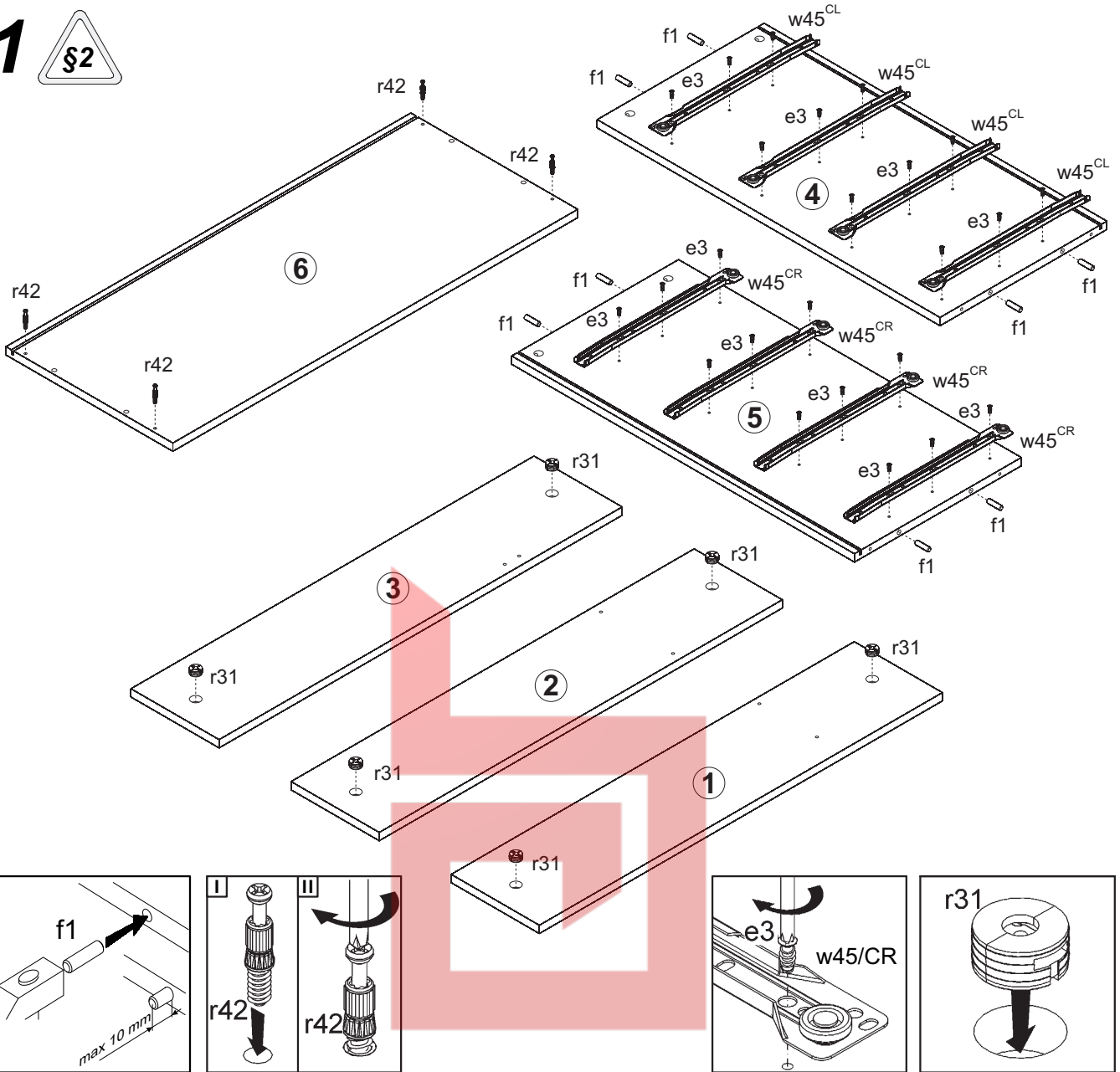
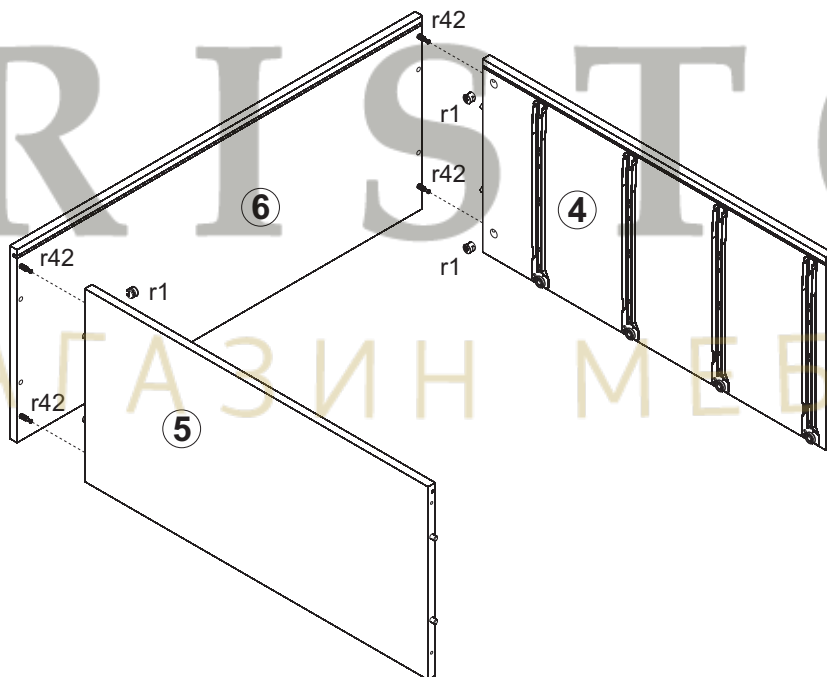
Комод **KOM4S**

A	B	C	D	
1	S190-006	896	196	3/3
2	S190-012	896	196	3/3
3	S190-013	896	196	3/3
4	S190-105	762	371	1/3
5	S190-106	762	371	1/3
6	S190-203	900	371	1/3
7	S190-204	900	371	1/3
8	S190-553	156	80	2/3
9	S190-554	196	80	2/3

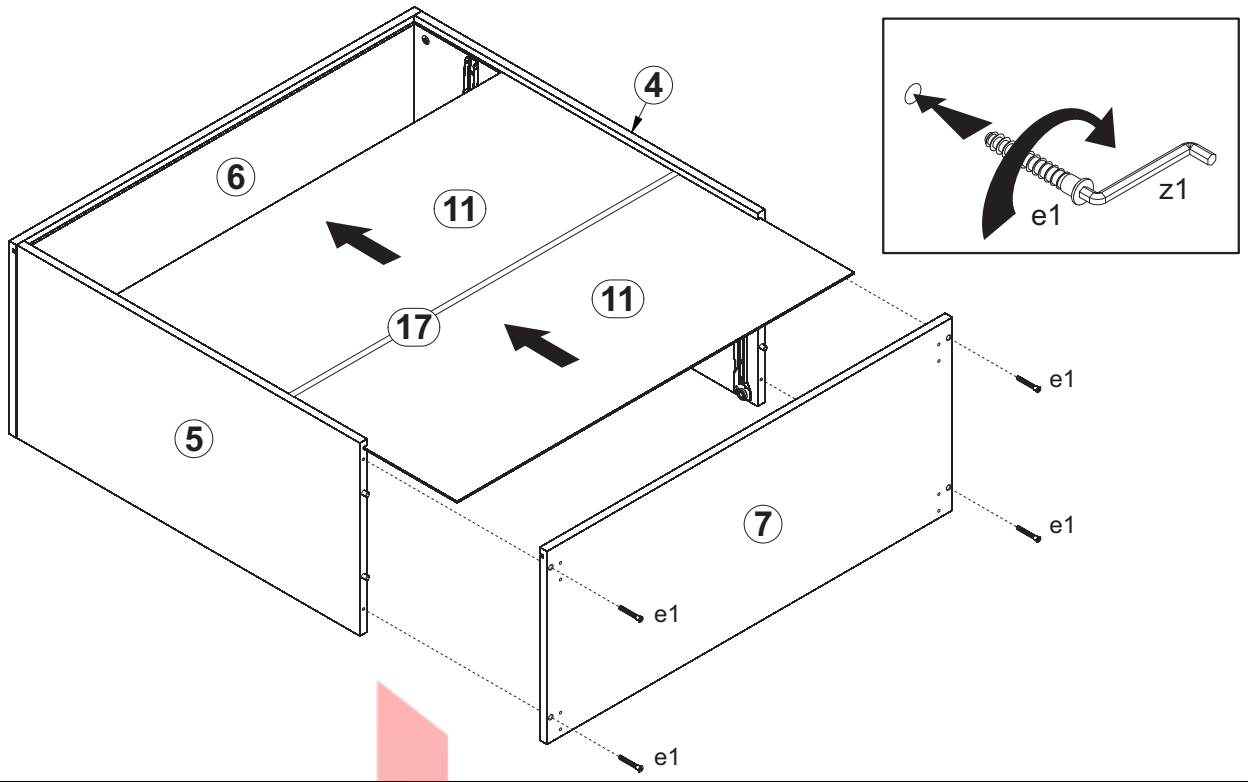
A	B	C	D	
10	S190-555	40	80	2/3
11	S190-904	881	387	1/3
12	S190-905	825	333	1/3
13	S190-505	350	120	1/3
14	S190-506	350	120	1/3
15	S190-503	810	120	1/3
16	S190-504	810	120	1/3
17	LH-866	866	14	1/3



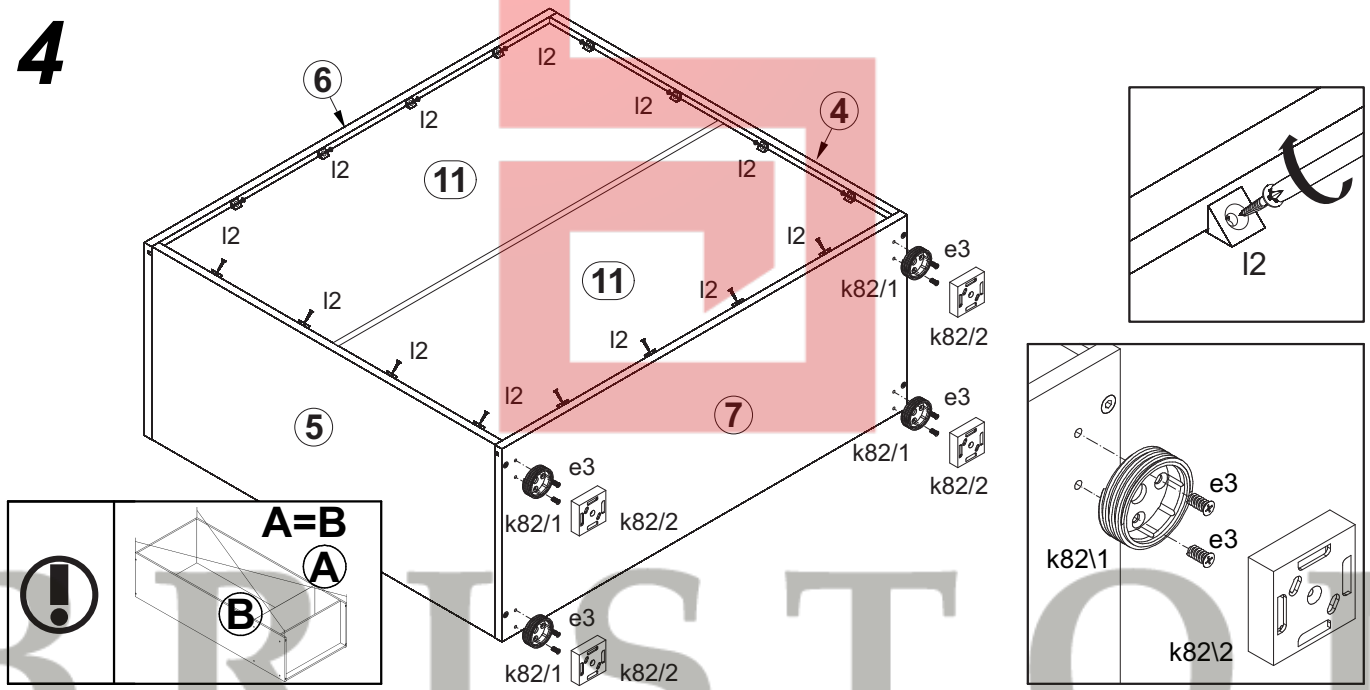
4x φ7x50 mm e1	32x φ6x13 mm e3	32x φ5x50 mm e32	8x φ8x30 mm f1	8x M4x22 mm j30	4x k821	4x k8212	16x l2	1x n261
8x φ3,5x16 mm p25	1x φ3,5x16 mm p38	16x φ3x12 mm p54	1x φ4x28 mm p90	7x φ4x28 mm p94	4x φ15x12mm #16 r1	8x φ21x10mm r31	4x 20/11 r42	2x φ16 s2
4x 317 mm t101	4x 350 mm w45^{CL}	4x 350 mm w45^{CR}	4x 350 mm w45^{DL}	4x 350 mm w45^{DR}	1x z1			

1**2**

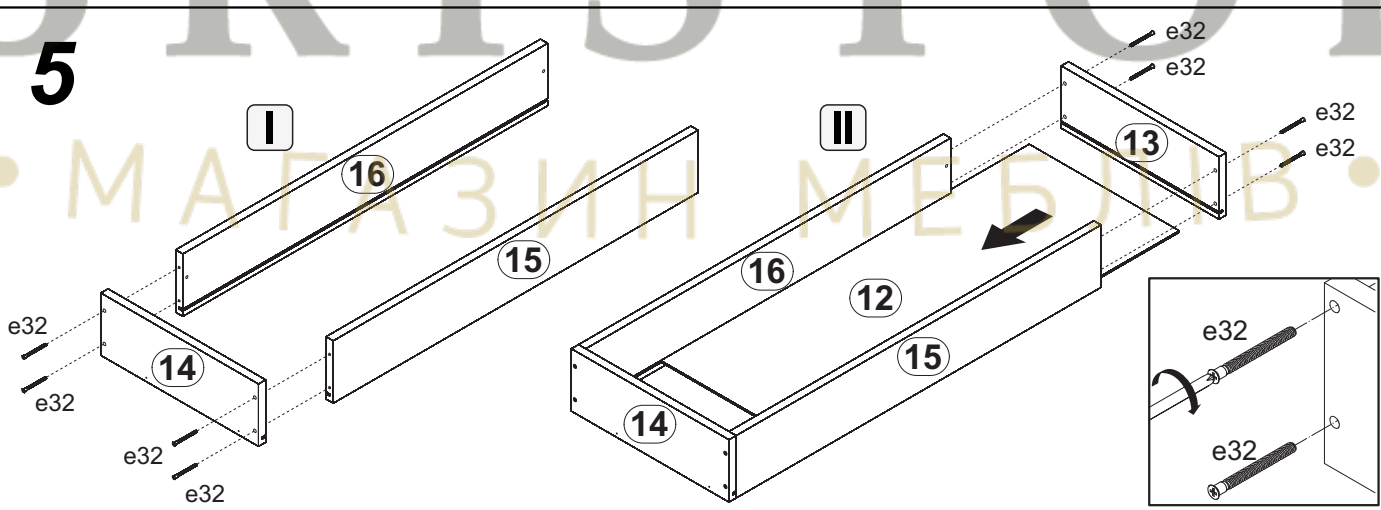
3



4



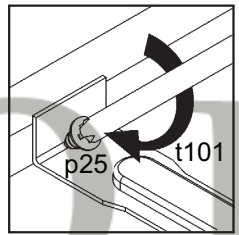
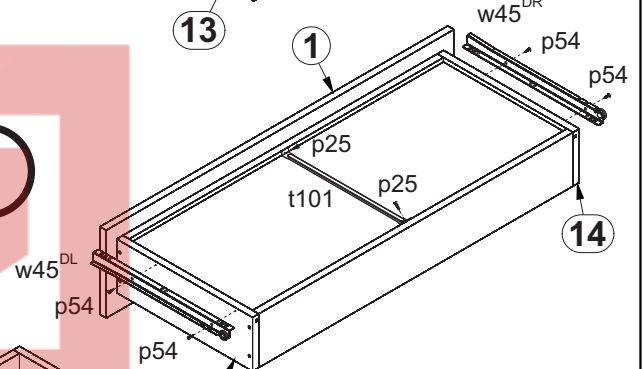
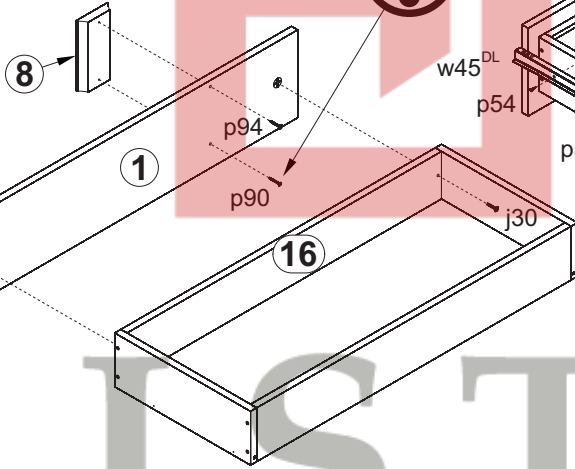
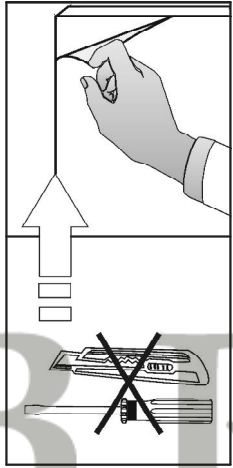
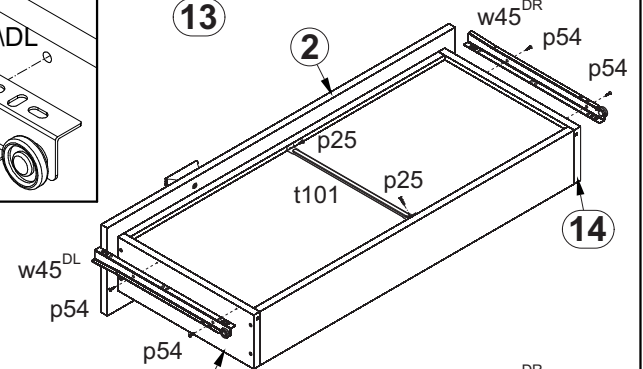
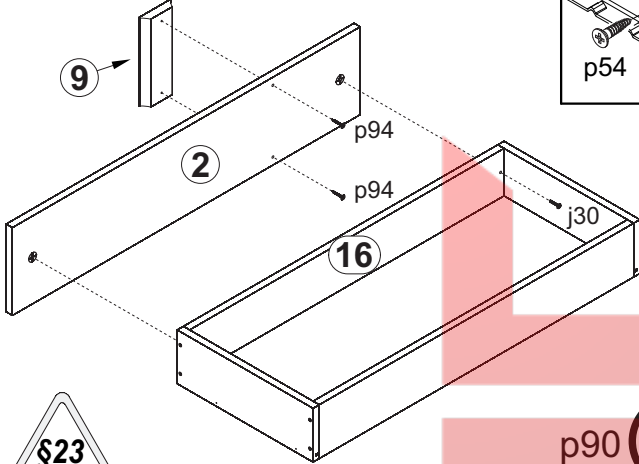
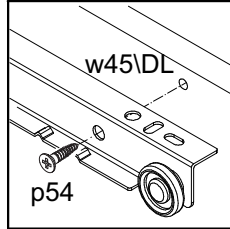
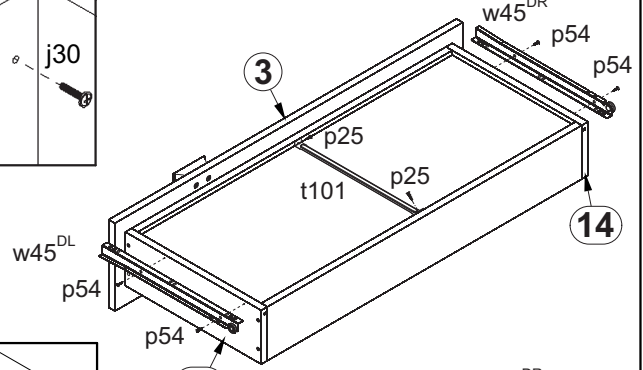
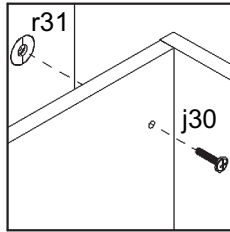
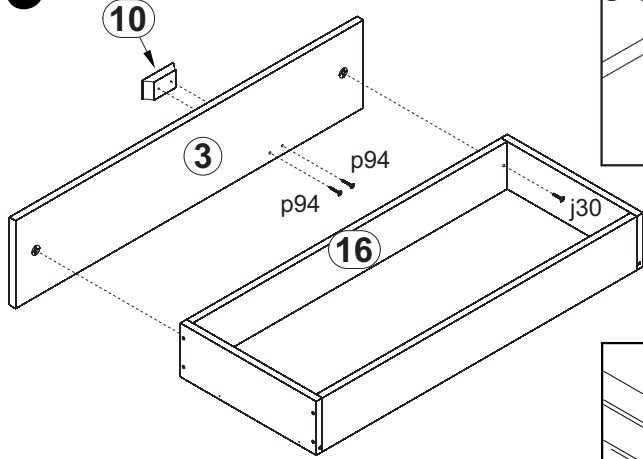
5



6

I

II



7

