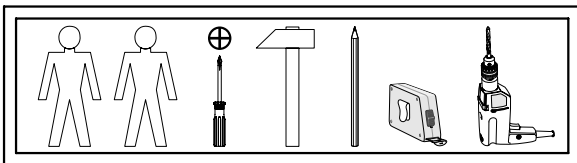
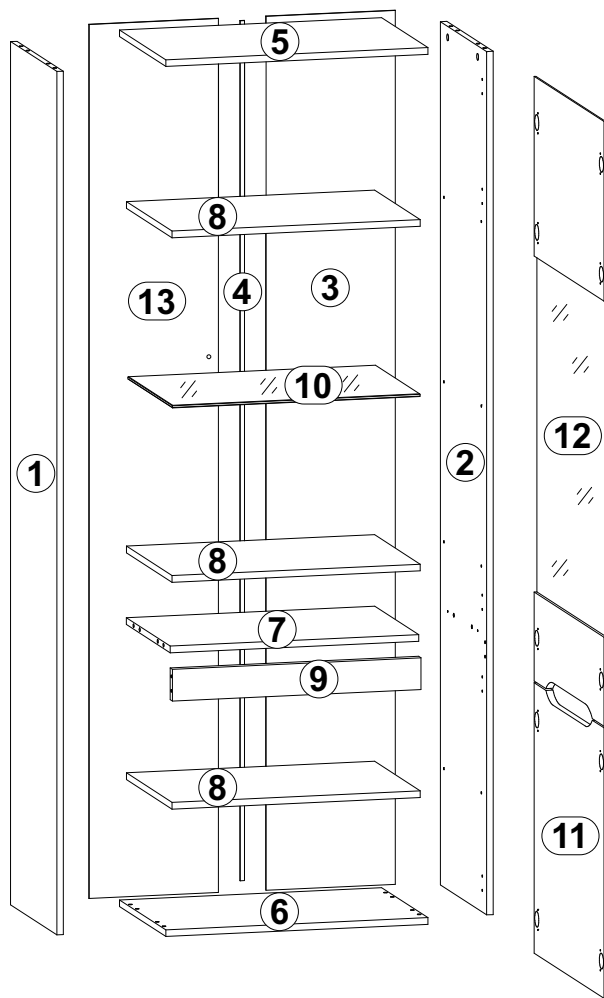
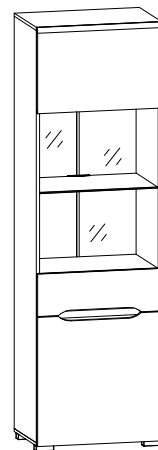
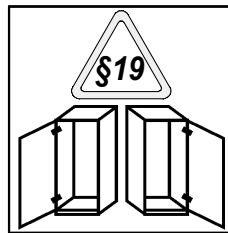


# ЕЛЬПАСО / ЭЛЬПАССО

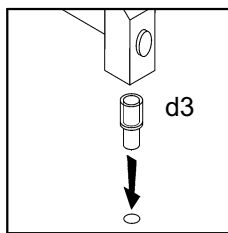
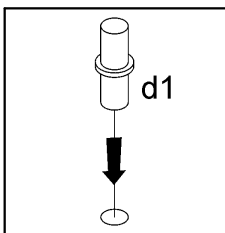
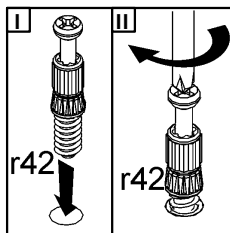
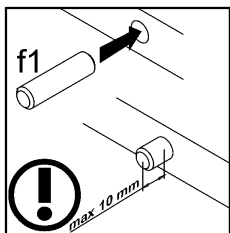
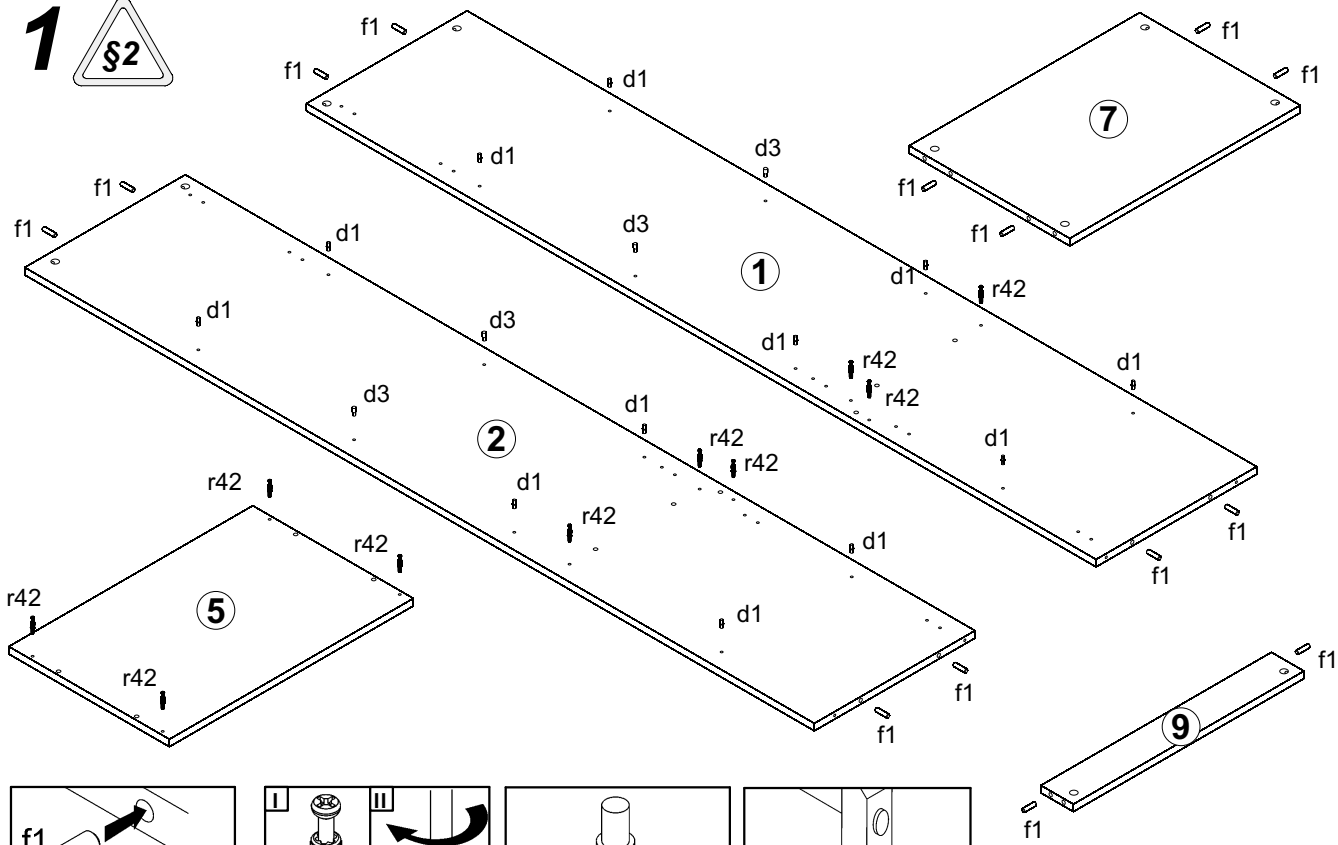
Вітрина / Витрина REG1W1D

A	B	C		D
1	S314-127	1942	395	1/5
2	S314-128	1942	395	1/5
3	S314-913	1969	296	1/5
4	LH-1941	1941	14	1/5
5	S314-207	600	395	2/5
6	S314-208	600	395	2/5
7	S314-311	567	395	2/5
8	S314-312	567	390	2/5
9	S314-574	567	80	2/5
10	S314-319	565	380	3/5
11	S314-033-01	596	608	4/5
12	S314-036	596	1360	5/5
13	S314-913-01	1969	296	1/5

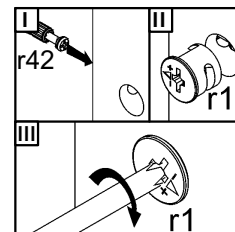
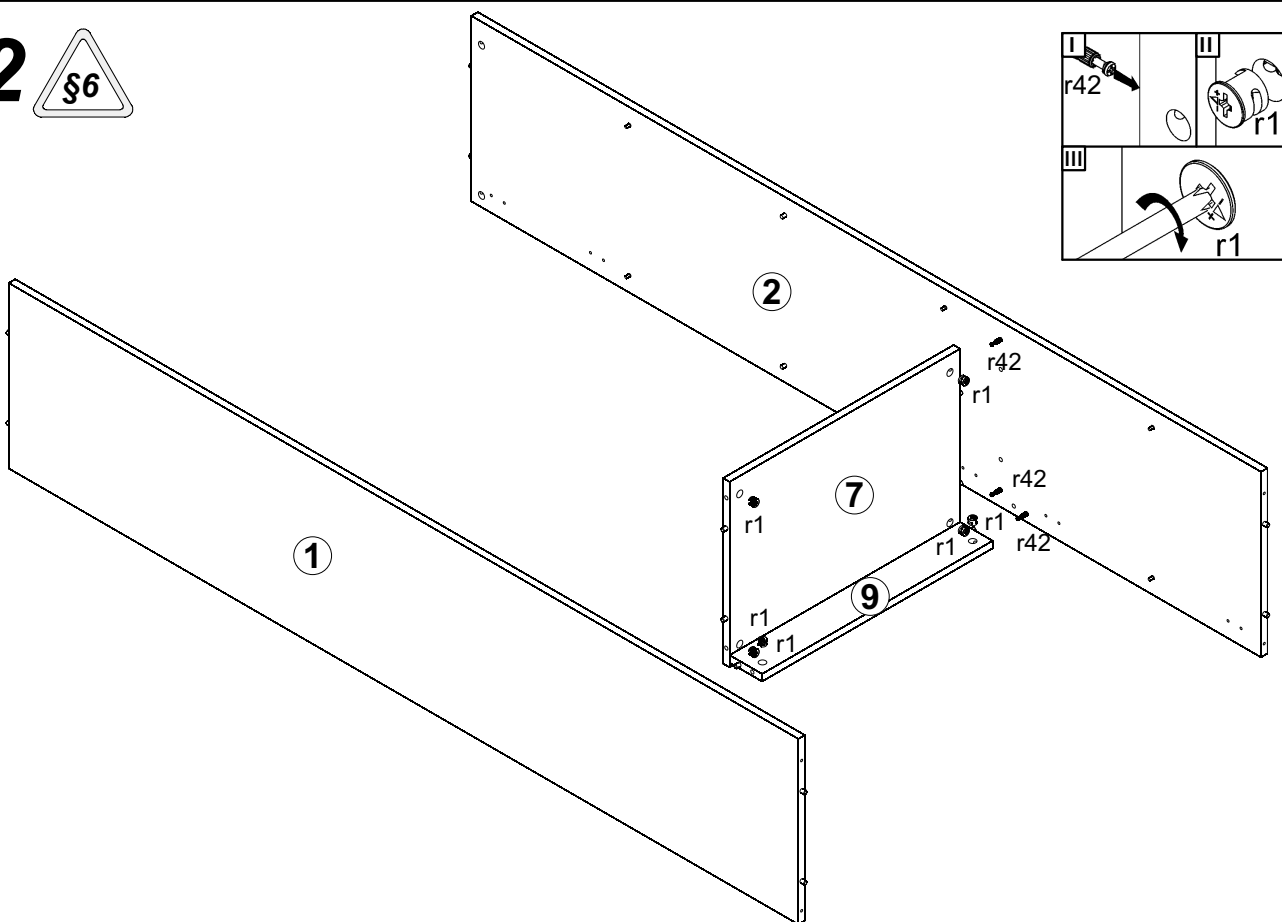


5x  <b>a44</b>	5x  <b>b19</b>	12x  $\phi 5 \times 17$ mm <b>d1</b>	4x  $\phi 5 \times 17$ mm <b>d3</b>	4x  $\phi 7 \times 50$ mm <b>e1</b>	14x  $\phi 8 \times 30$ mm <b>f1</b>	4x  $84 \times 40 / 25$ mm <b>k77</b>	65x  <b>l1</b>
1x  <b>n26/1</b>	8x  $\phi 4 \times 25$ mm <b>p36</b>	1x  $\phi 3,5 \times 16$ mm <b>p38</b>	10x  $\phi 3,5 \times 15$ mm <b>p51</b>	1x  <b>o43/1</b>	1x  <b>o43/6</b>	10x  $\phi 15 \times 12$ mm #16 <b>r1</b>	
10x  20/11 <b>r42</b>	4x  $\phi 16$ <b>s2</b>	10x  $\phi 5$ <b>s4</b>	5x  $\phi 35 \times 62 \times 40 \times 10$ <b>s71</b>	1x  <b>z1</b>			

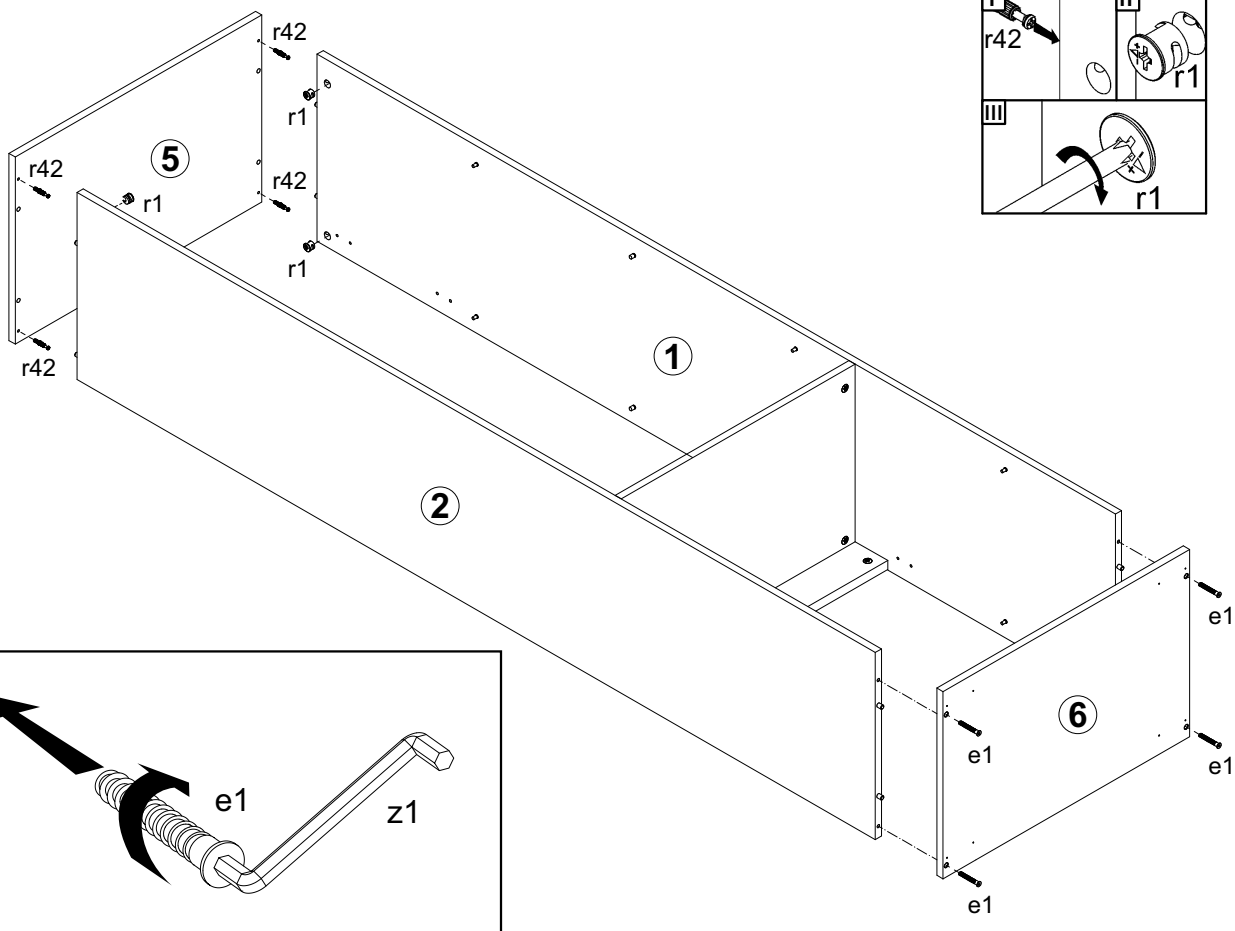
# 1



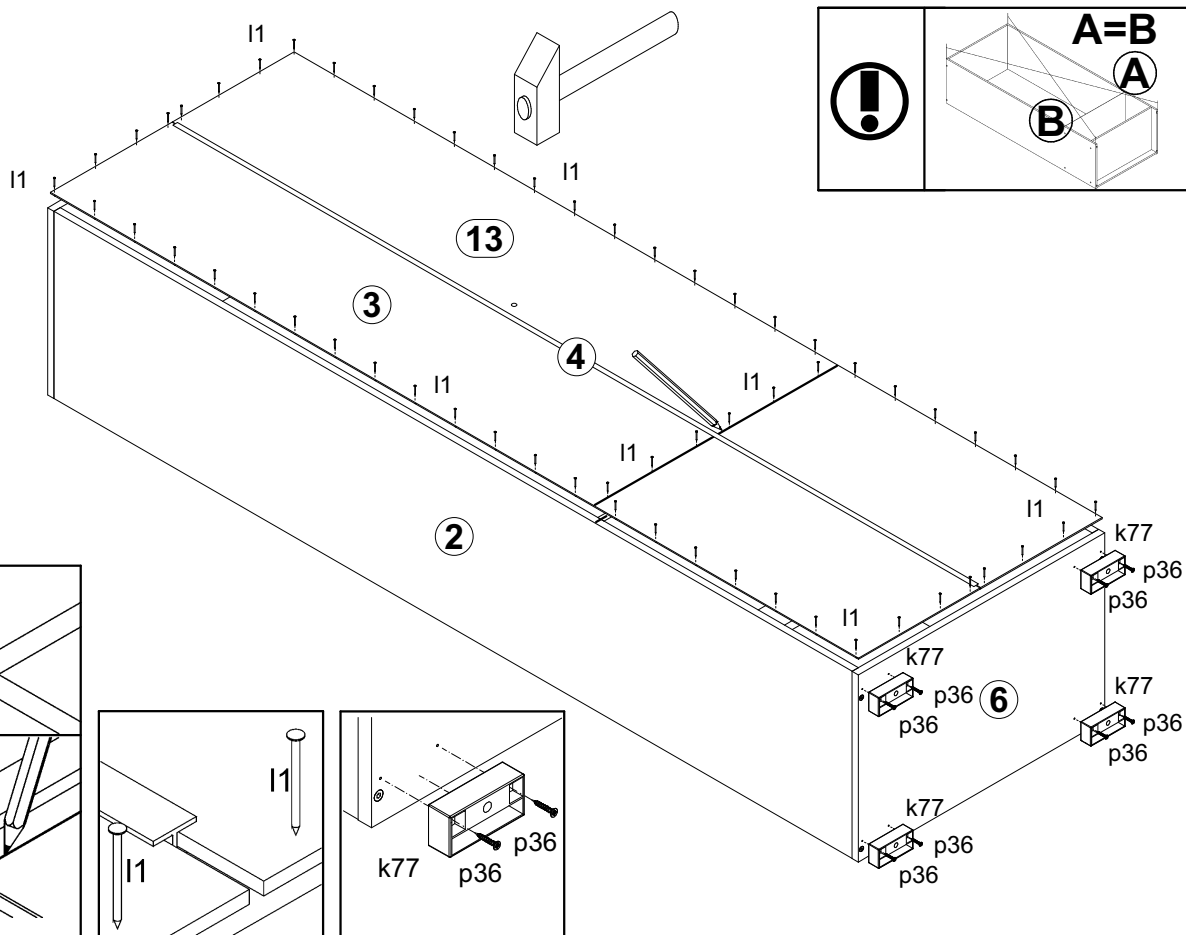
# 2



# 3



# 4



5

