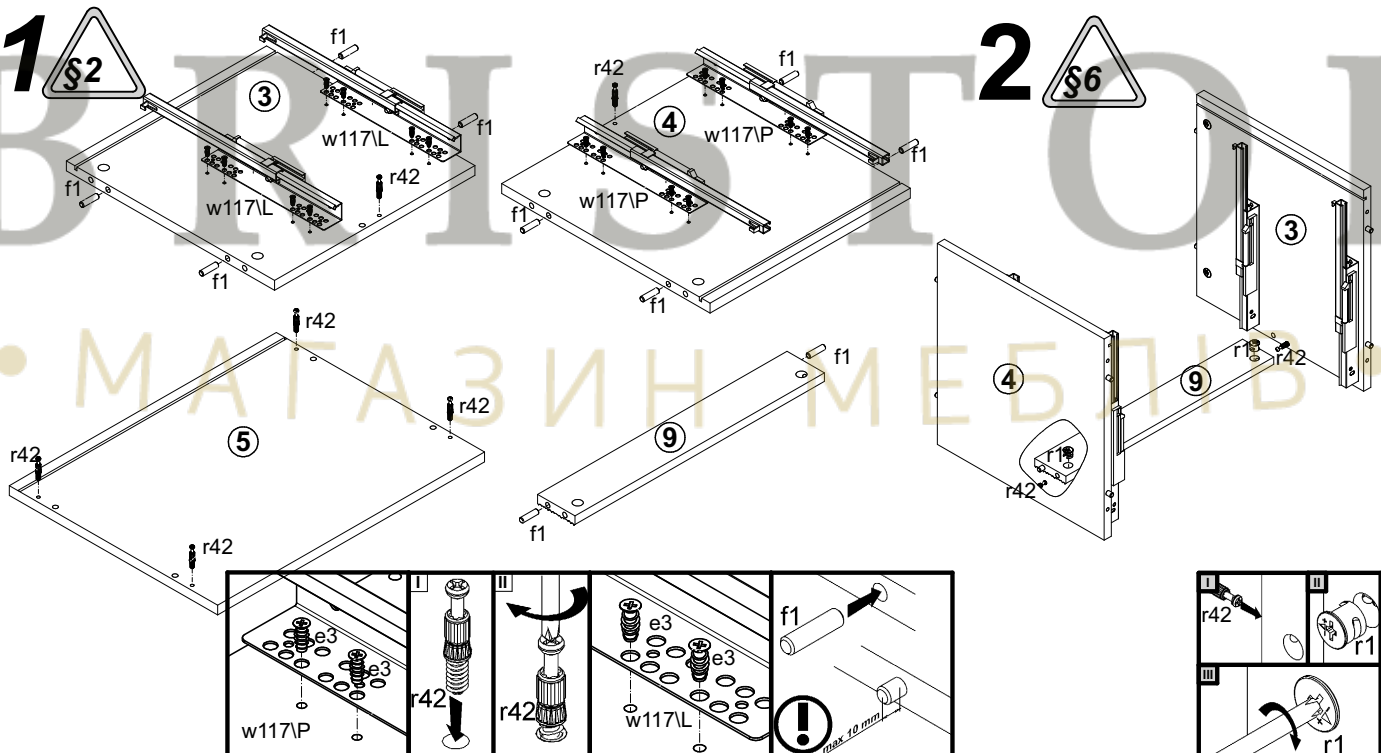
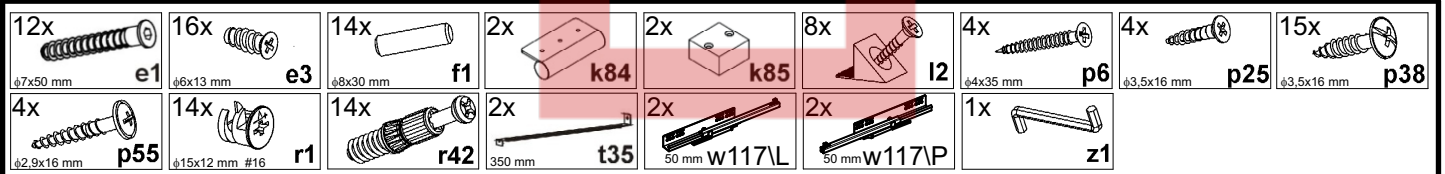
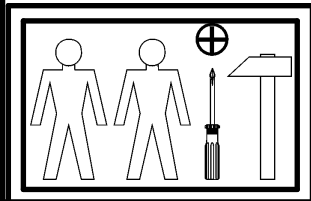
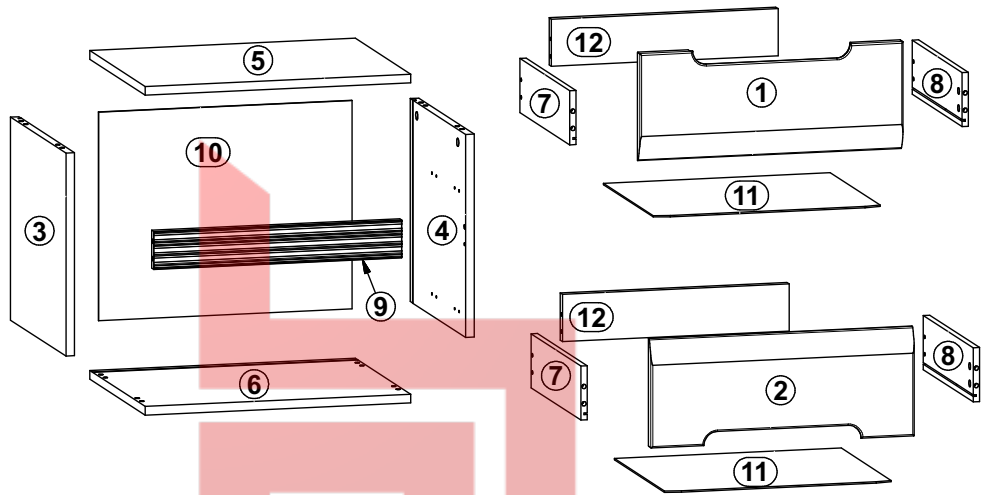
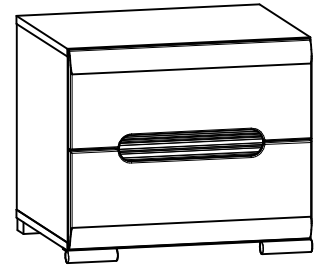
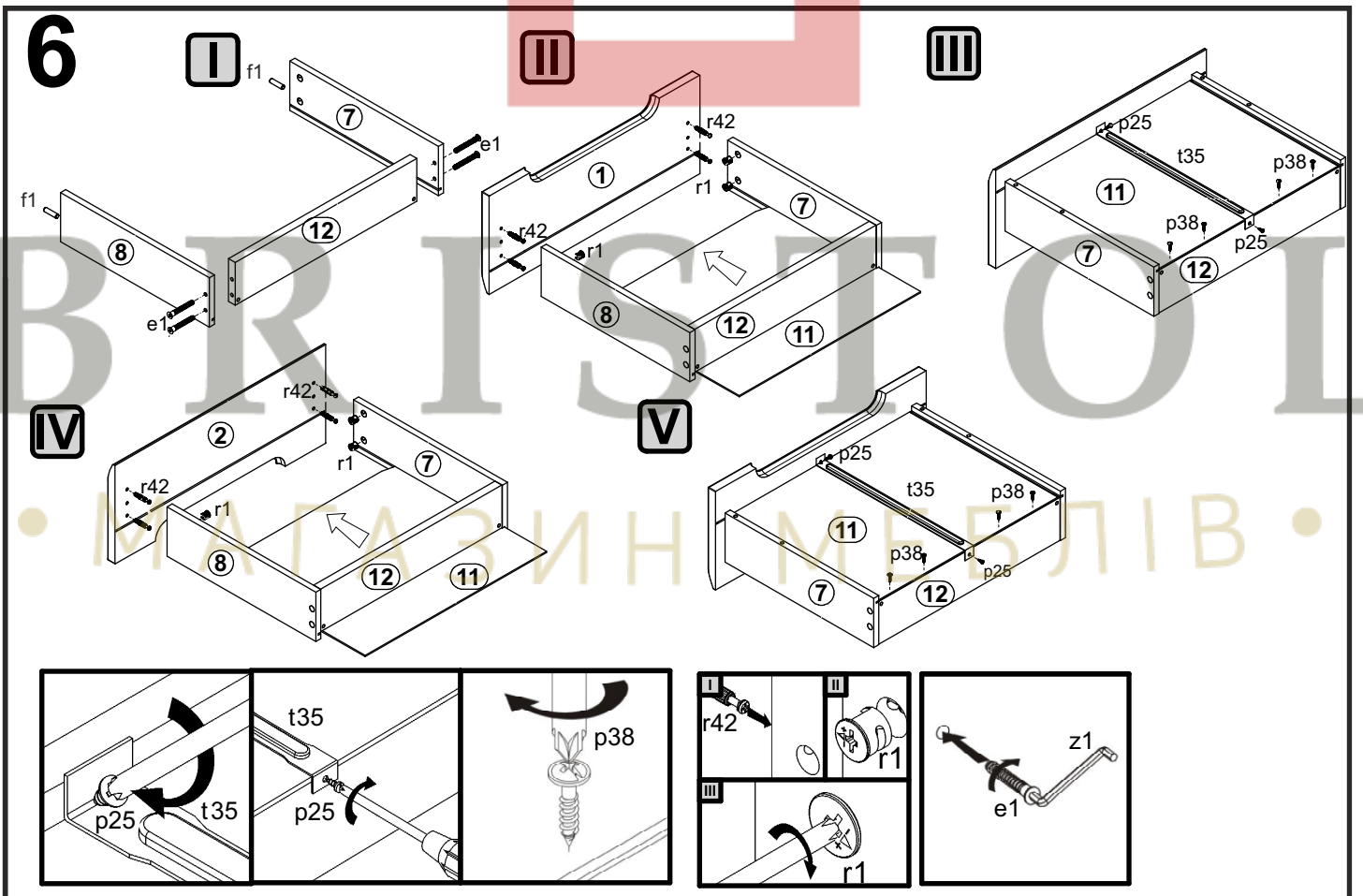
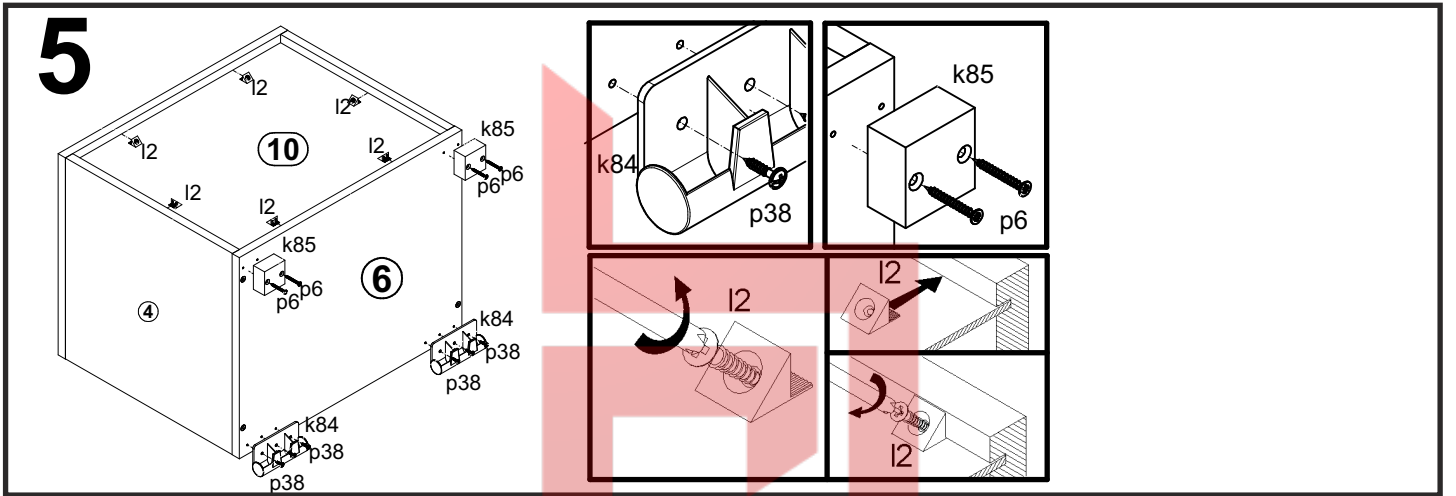
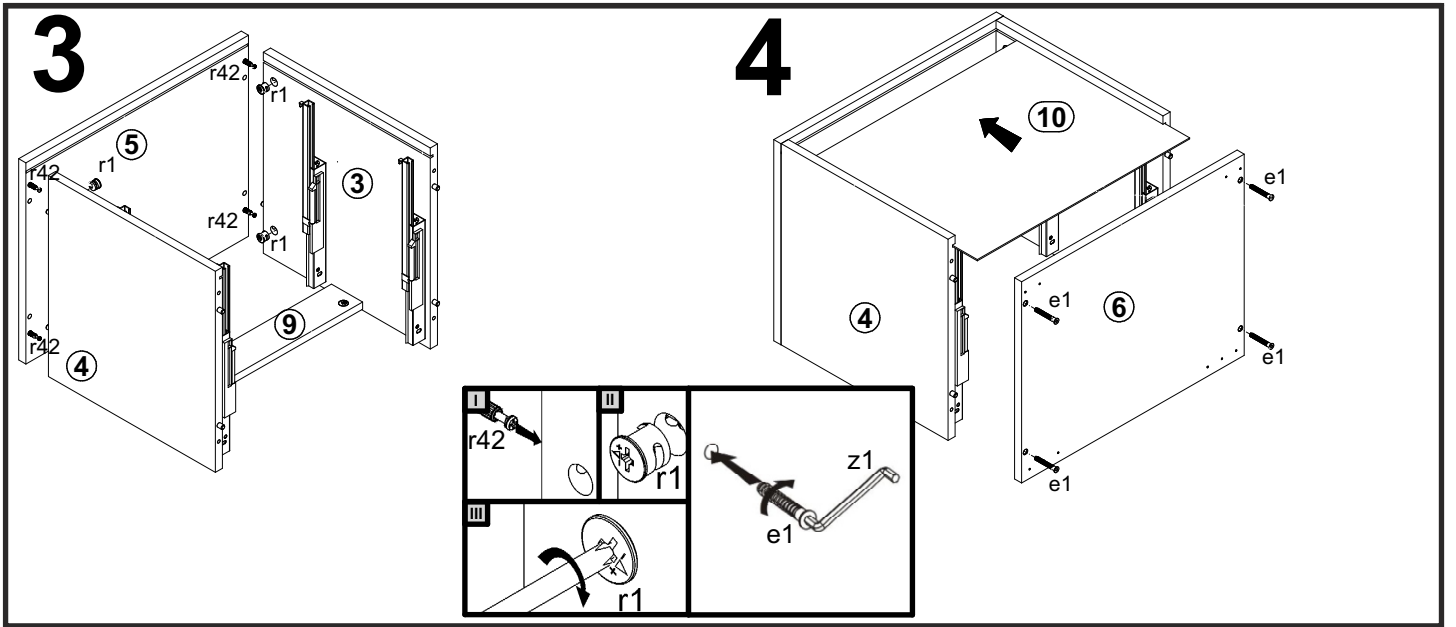


# AZTECA

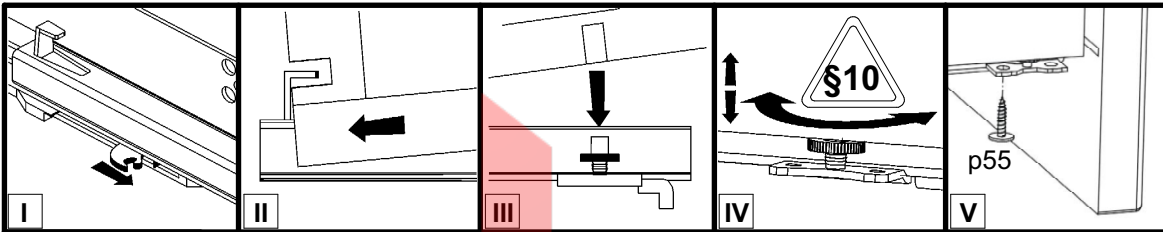
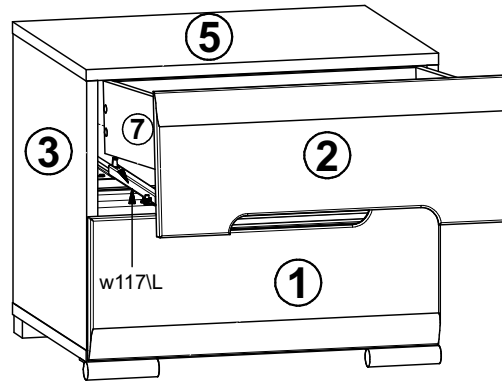
# S205-KOM2S/4/5

A	B	C	D	
1	S205-025	496	200	2/3
2	S205-026	496	200	2/3
3	S205-132	375	390	1/3
4	S205-133	375	390	1/3
5	S205-219	500	390	1/3
6	S205-220	500	390	1/3
7	S205-501	350	105	1/3
8	S205-502	350	105	1/3
9	S205-509	427	91	1/3
10	S205-574	467	70	2/3
11	S205-914	385	477	1/3
12	S205-920	441	358	1/3





7



BRISTOL

• МАГАЗИН МЕБЛІВ •