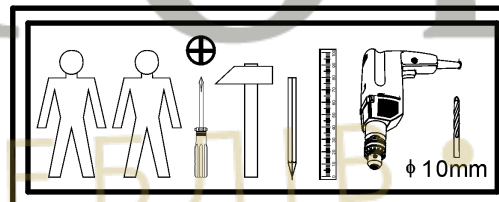
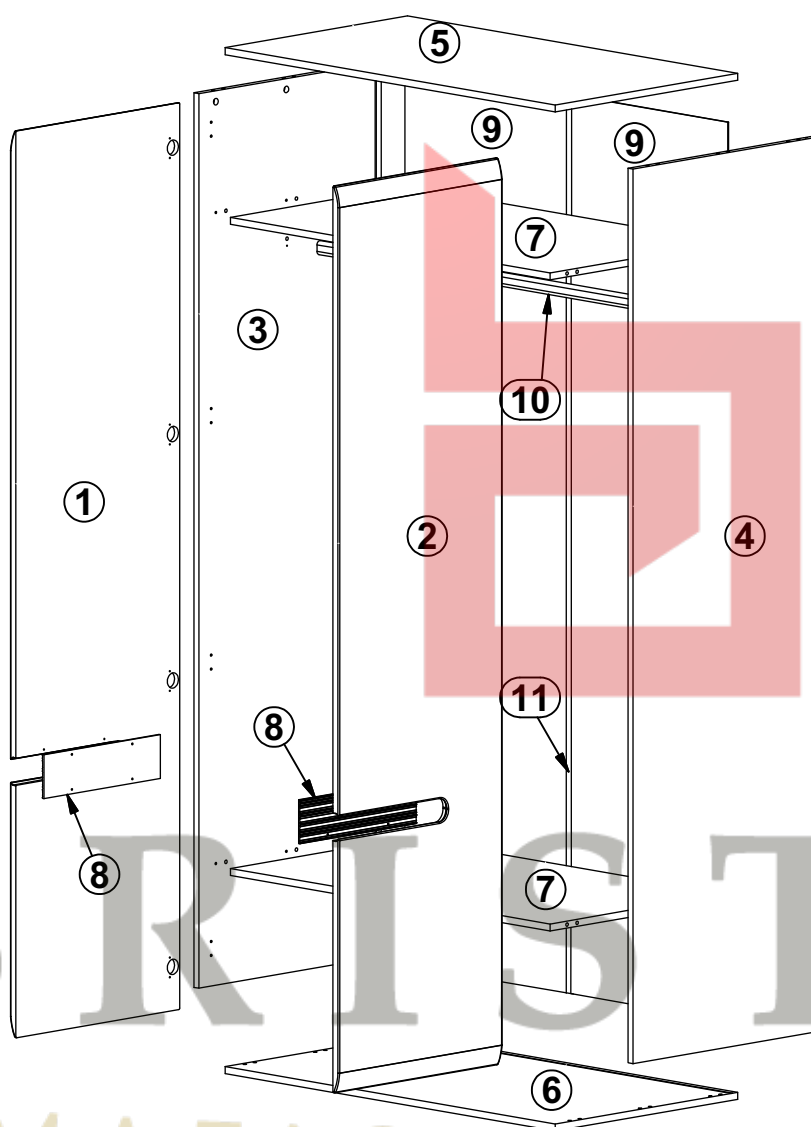
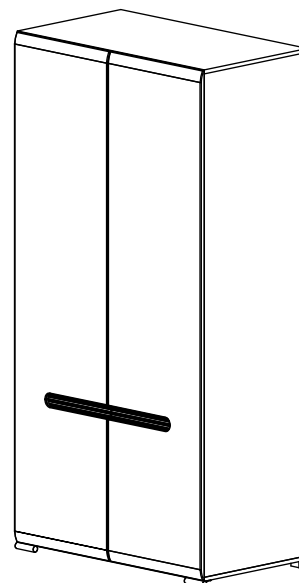
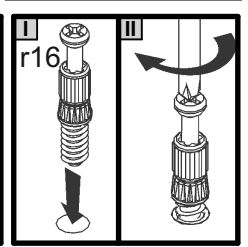
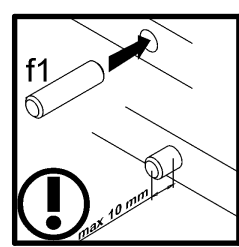
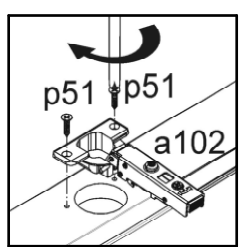
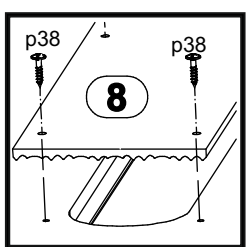
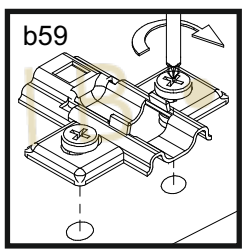
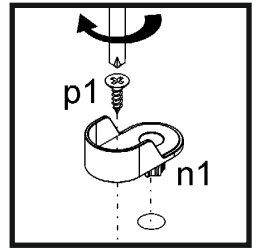
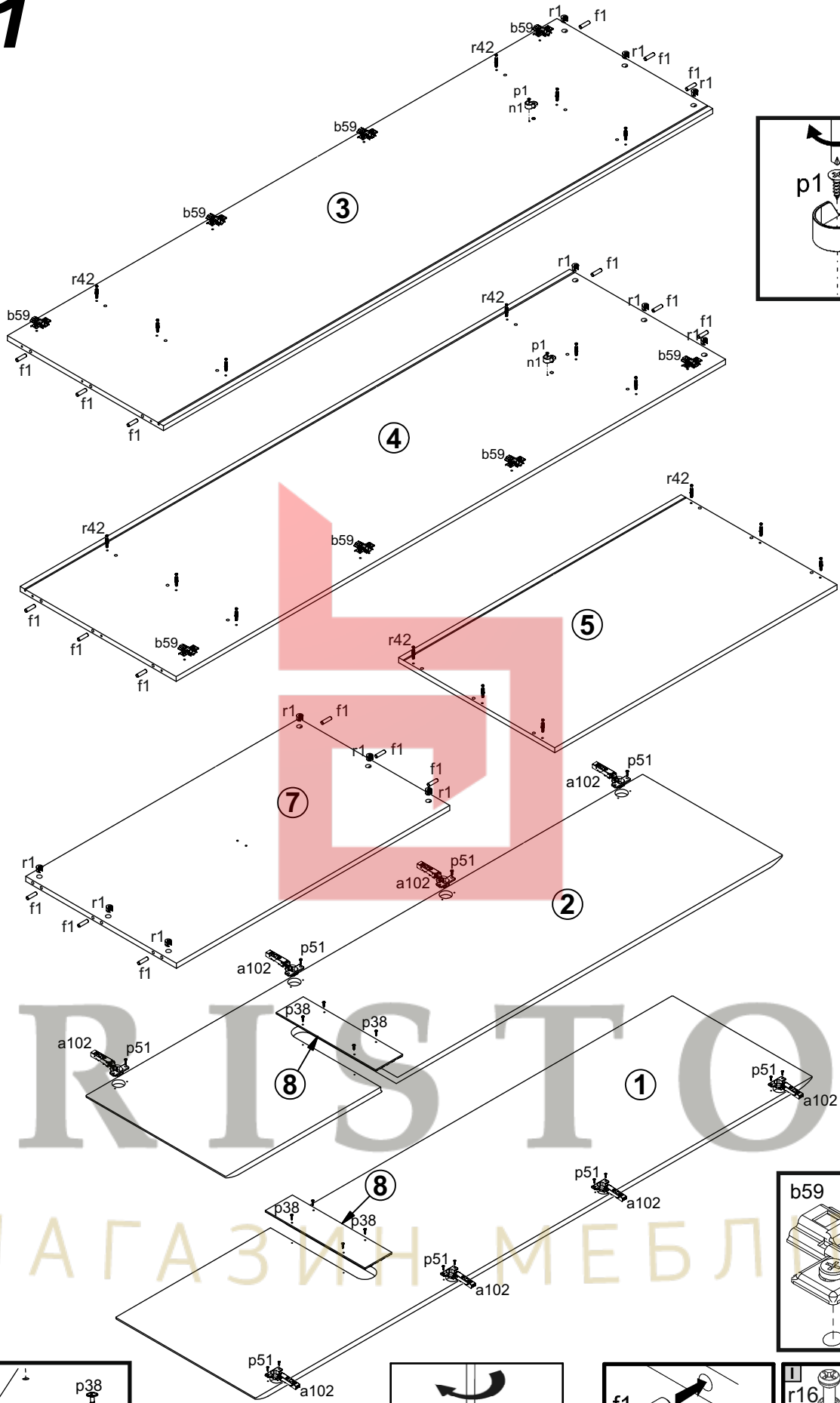


A	B	C		D
1	S205-034	2071	521	3/3
2	S205-035	2071	521	3/3
3	S205-150	2043	580	1/3
4	S205-151	2043	580	1/3
5	S205-230	1050	580	2/3
6	S205-231	1050	580	2/3
7	S205-327	1017	560	2/3
8	S205-583	370	100	2/3
9	S205-968	2053	513	1/3
10	dr-1008	1008	30	2/3
11	Lh-2035	2035	14	1/3

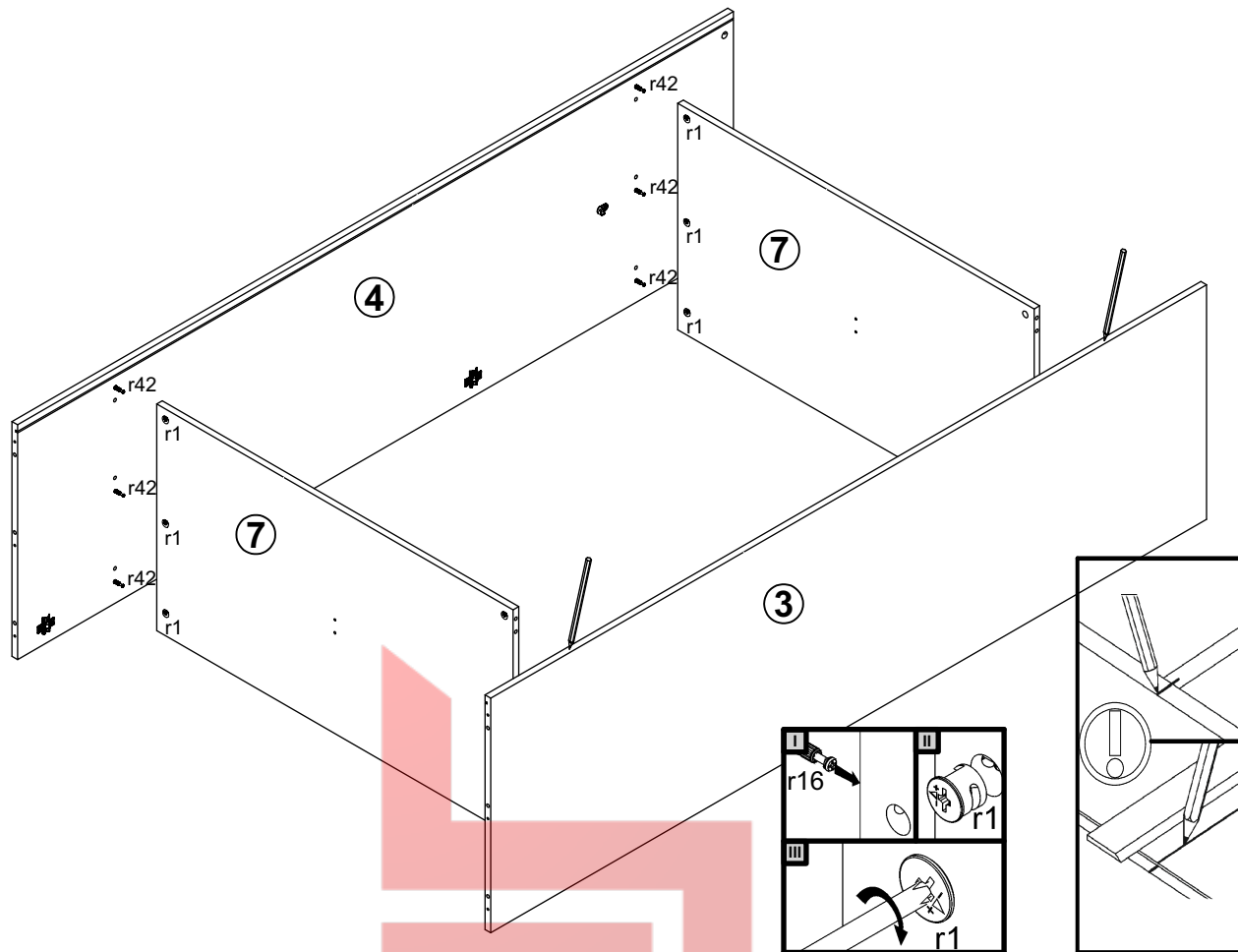


8x a102	8x b59	6x e1 φ7x50 mm	24x f1 φ8x30 mm	2x k84	3x k85	20x l1	22x l2
1x n2611	6x p6 φ4x35 mm	2x e3 φ6x13 mm	16x p51 φ3.5x15 mm	15x p38 φ3.5x16 mm	18x r1 φ15x12 mm #16	18x r42	18x s2 φ16
1x z1	1x p17 φ5x60 mm	1x f35 φ10x30 mm	2x p1 φ3.5x13 mm	2x n1	1x qb18		

§2 1



2



3

