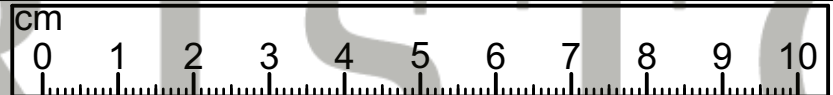
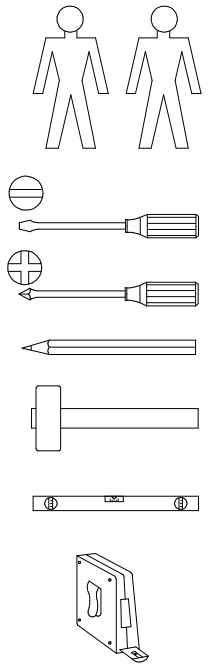
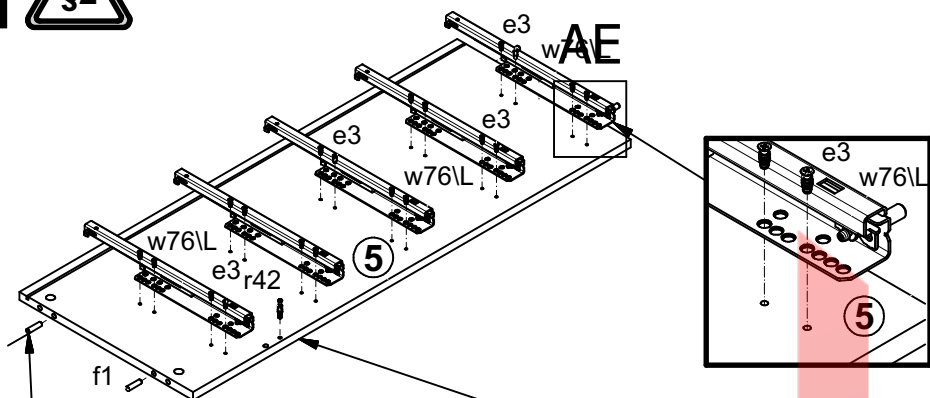


A	B	C (mm)	D	
1	S205-005	200	596	2/2
2	S205-006	200	596	2/2
3	S205-007	200	596	2/2
4	S205-008	200	596	2/2
5	S205-103	984	390	1/2
6	S205-104	984	390	1/2
7	S205-203	600	390	1/2
8	S205-204	600	390	1/2
9	S205-501	350	105	1/2
10	S205-502	350	105	1/2
11	S205-504	527	91	1/2
12	S205-572	567	70	1/2
13	S205-902	541	358	1/2
14	S205-952	994	288	1/2
15	Lh-980	980	14	1/2

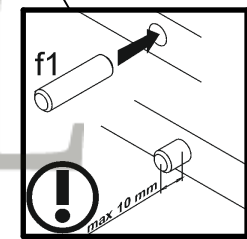
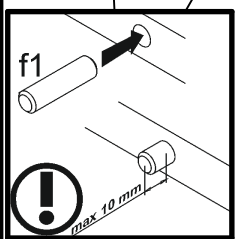
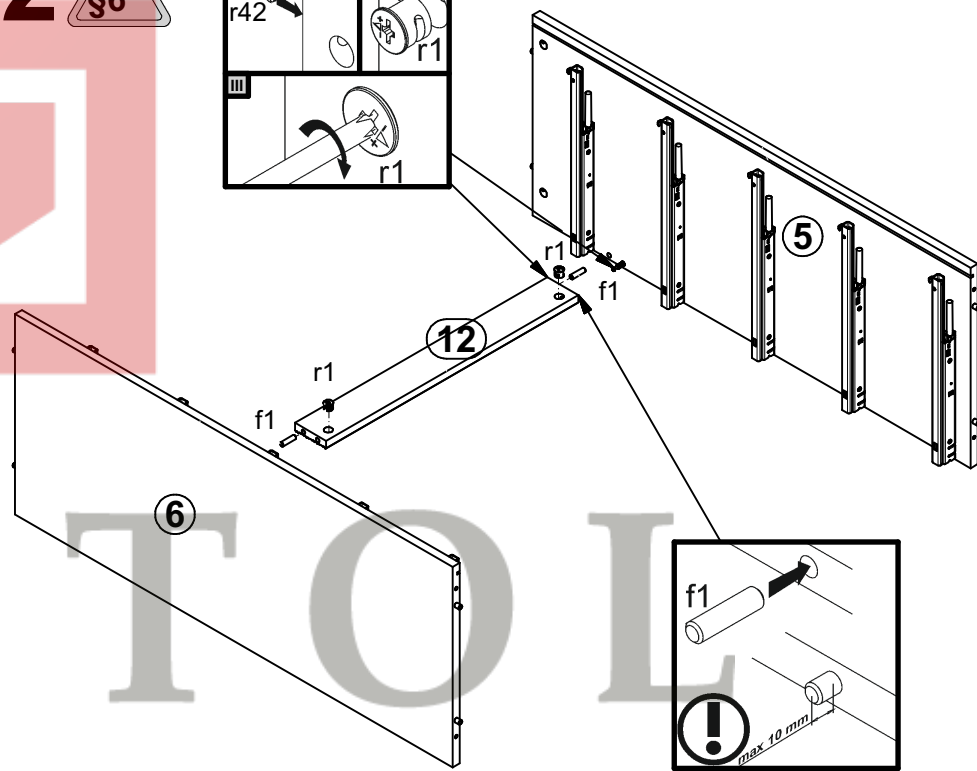
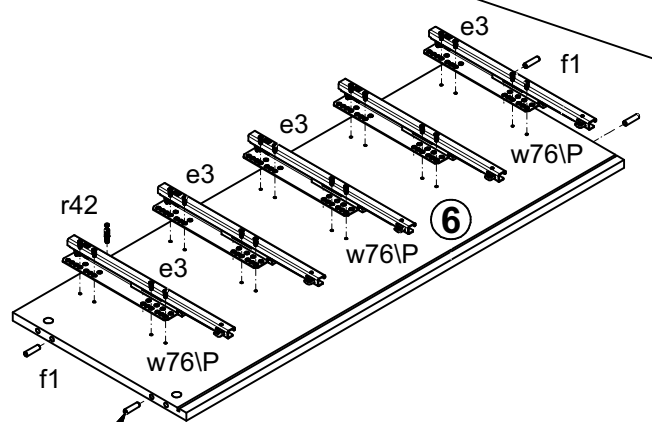
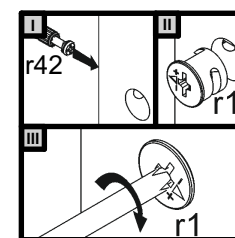
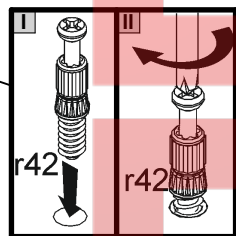


- 24x $\phi 7 \times 50$ mm **e1**
- 10x $\phi 5 \times 16$ mm **l2**
- 2x **k84**
- 10x $\phi 2.9 \times 16$ mm **p55**
- 26x $\phi 1.5 \times 12$ mm #16 **r1**
- 20x $\phi 8 \times 30$ mm **f1**
- 40x $\phi 6 \times 13$ mm **e3**
- 22x $\phi 16$ **s2**
- 26x $\phi 3.5 \times 16$ mm **r42**
- 10x $\phi 3.5 \times 16$ mm **p25**
- 1x **z1**
- 4x $\phi 4 \times 35$ mm **p6**
- 1x $\phi 10 \times 50$ mm **f3**
- 1x $\phi 5 \times 60$ mm **p17**
- 5x 350 mm **w76\|P**
- 5x 350 mm **w76\L**
- 5x 350 mm **t35**
- 2x **k85**
- 27x $\phi 3.5 \times 16$ mm **p38**
- 1шт. **n26**

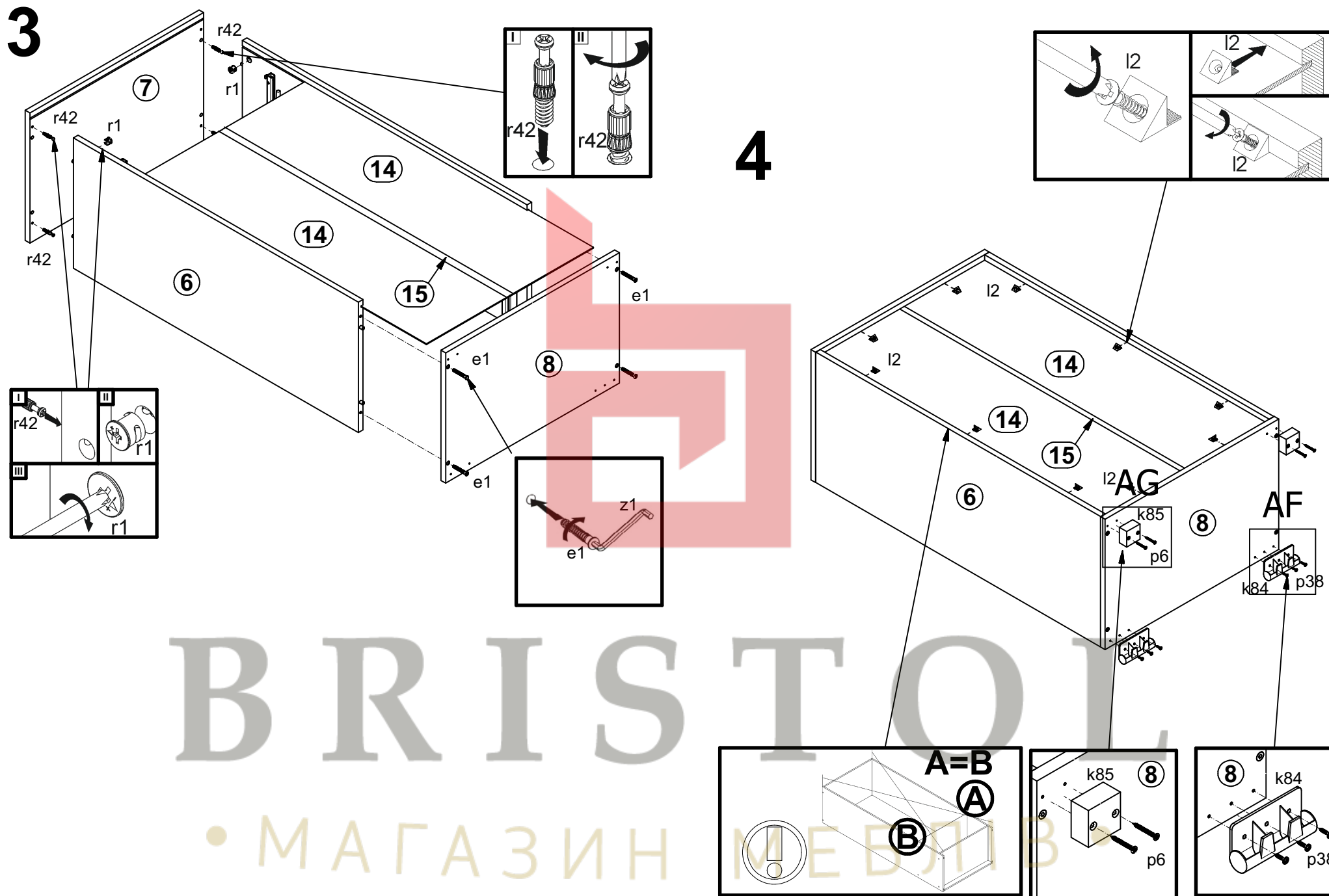
1  §2



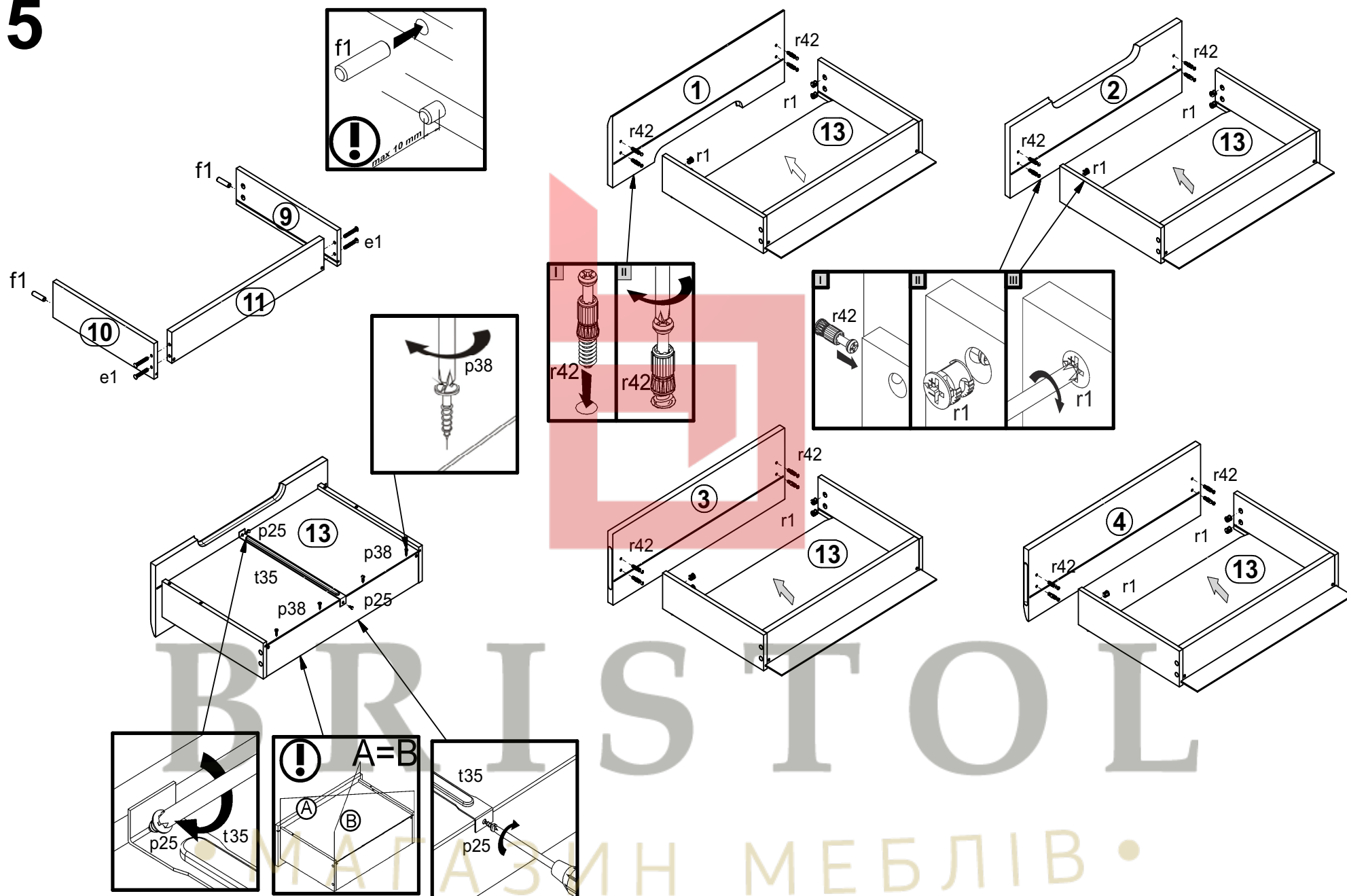
2  §6



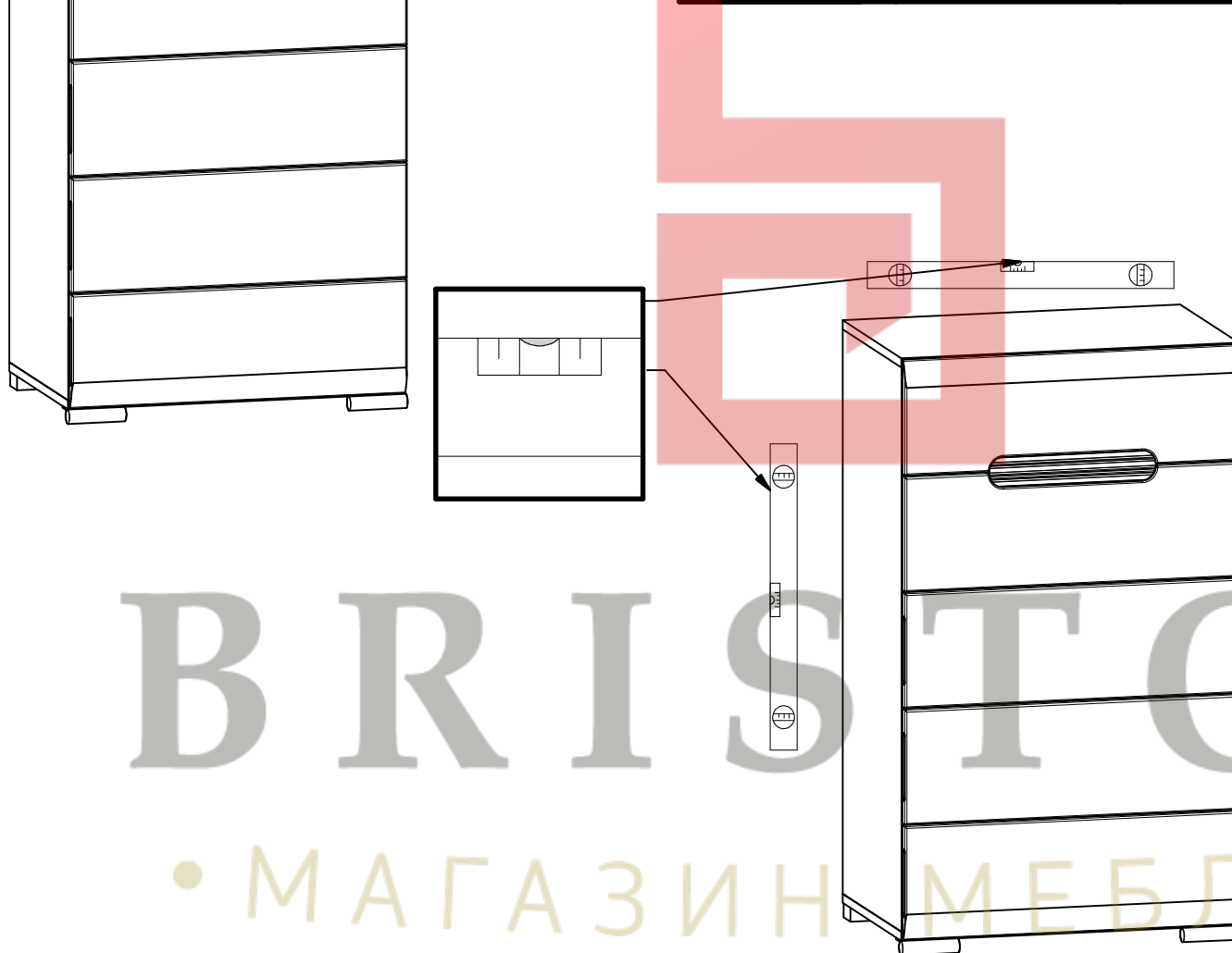
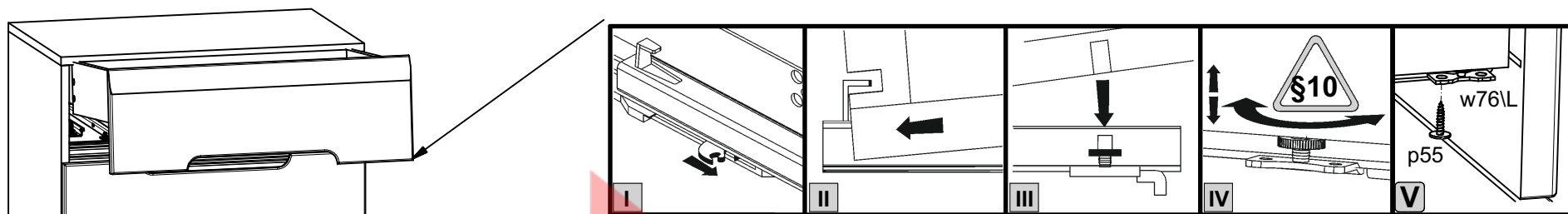
BRISTOL
• МАГАЗИН МЕБЛІВ •



5



8



BRISTOL

• МАГАЗИН МЕБЛІВ •