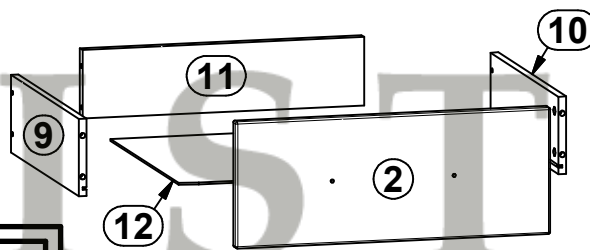
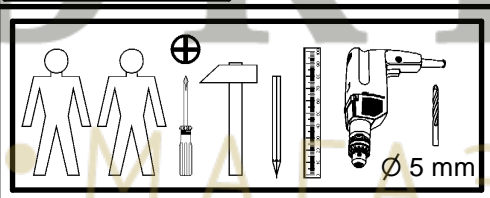
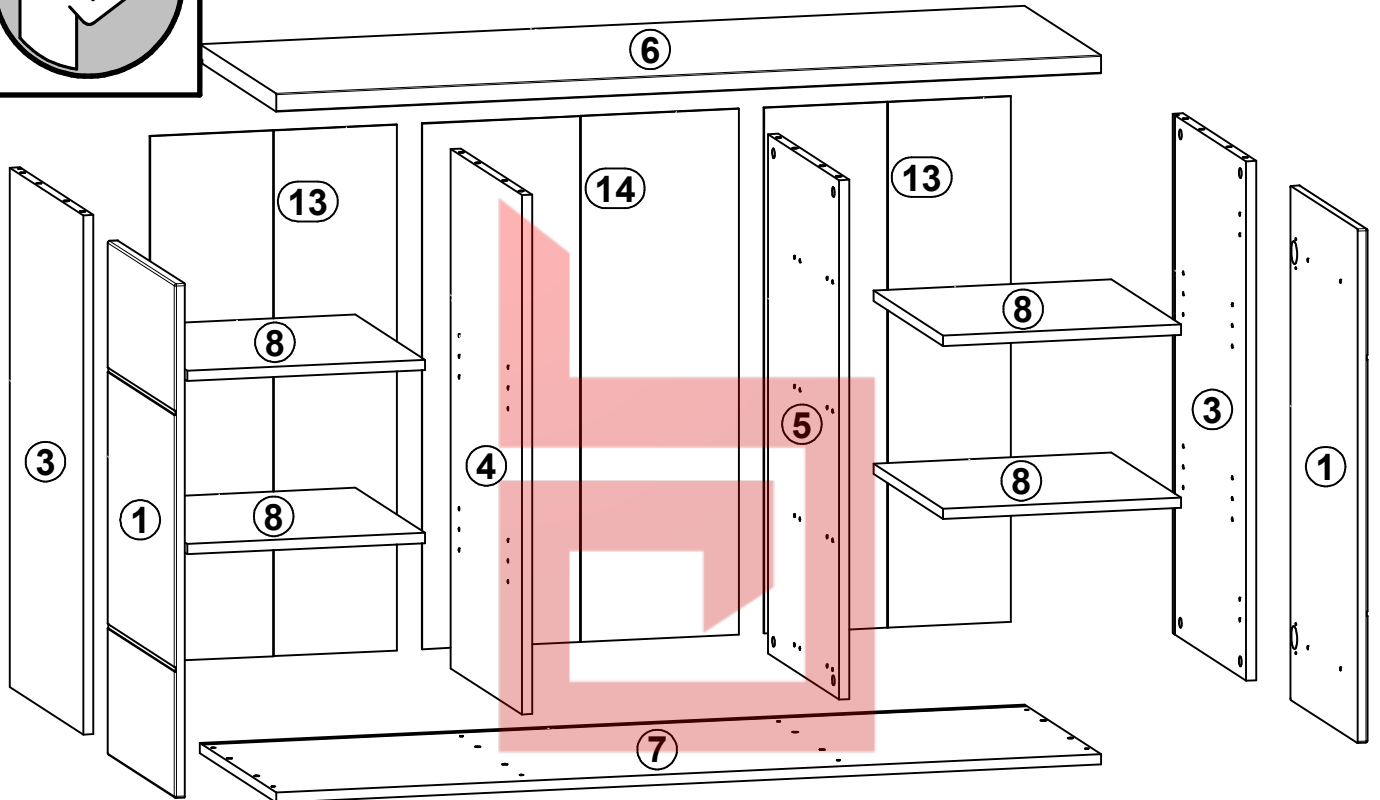
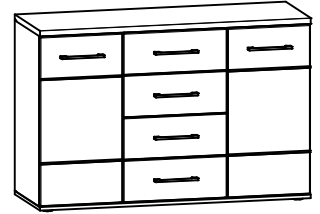
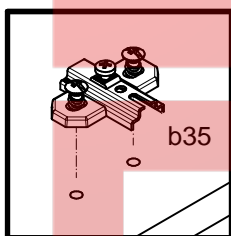
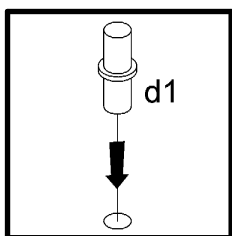
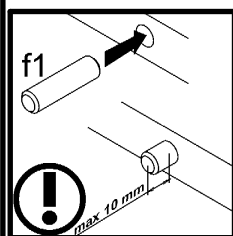
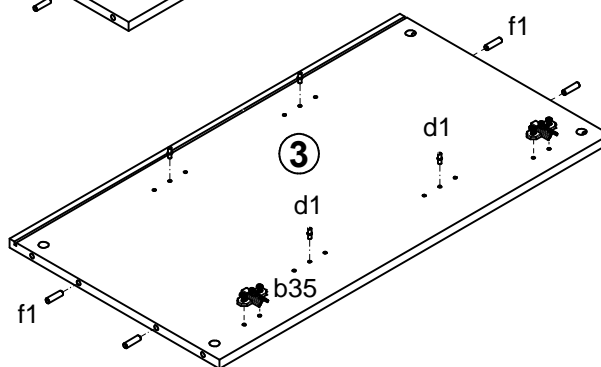
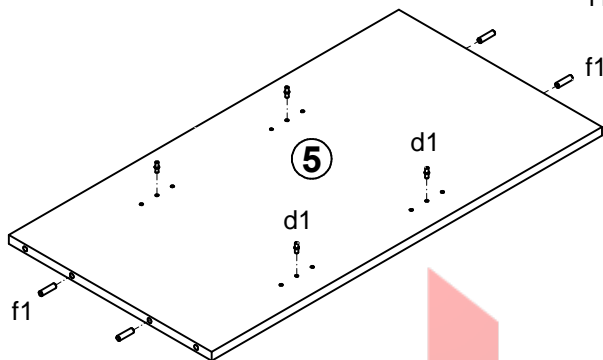
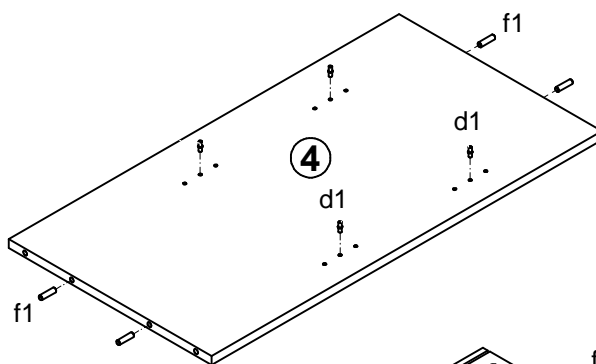
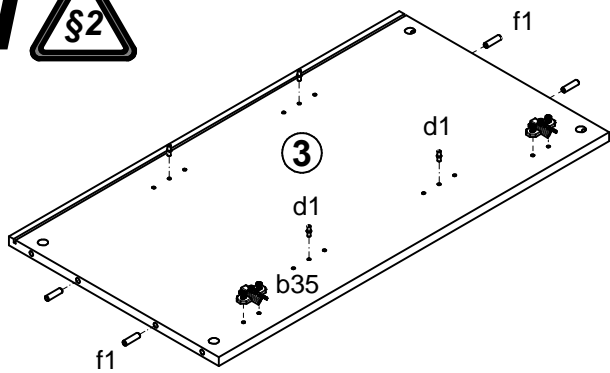


A	B	C	D	A	B	C	D		
1	S117-018	396	796	3/3	8	S117-314	375	410	2/3
2	S117-019	496	196	3/3	9	S117-513	400	120	3/3
3	S117-120	804	432	2/3	10	S117-514	400	120	3/3
4	S117-121	804	418	2/3	11	S117-516	444	106	2/3
5	S117-122	804	418	2/3	12	S117-927	454	406	3/3
6	S117-219	1300	450	1/3	13	S117-9903	814	389	2/3
7	S117-220	1300	450	1/3	14	S117-9904	814	499	2/3



4x  a44	4x  b35	6x  c306	16x  d1 φ5x17 mm	32x  e3 φ6x13 mm	16x  f1 φ8x30 mm	16x  f25 φ6.5x40 mm	12x  j8 M4x25 mm	6x  k43
35x  l1	16x  l2	12x  o21 silikon	4x  p25 φ3.5x16 mm	4x  p35 φ3.5x10 mm	16x  p38 φ3.5x16 mm	8x  p51 φ3.5x15 mm	16x  r1 φ1.5x12mm #16	16x  r15 φ12x10.5mm #12
32x  r42	8x  s2 ø16	4x  t33 400 mm	4x  w78\L 400 mm	4x  w78\P 400 mm	1x  n26\1	1x  p38 φ3.5x16 mm		

1 



2 

