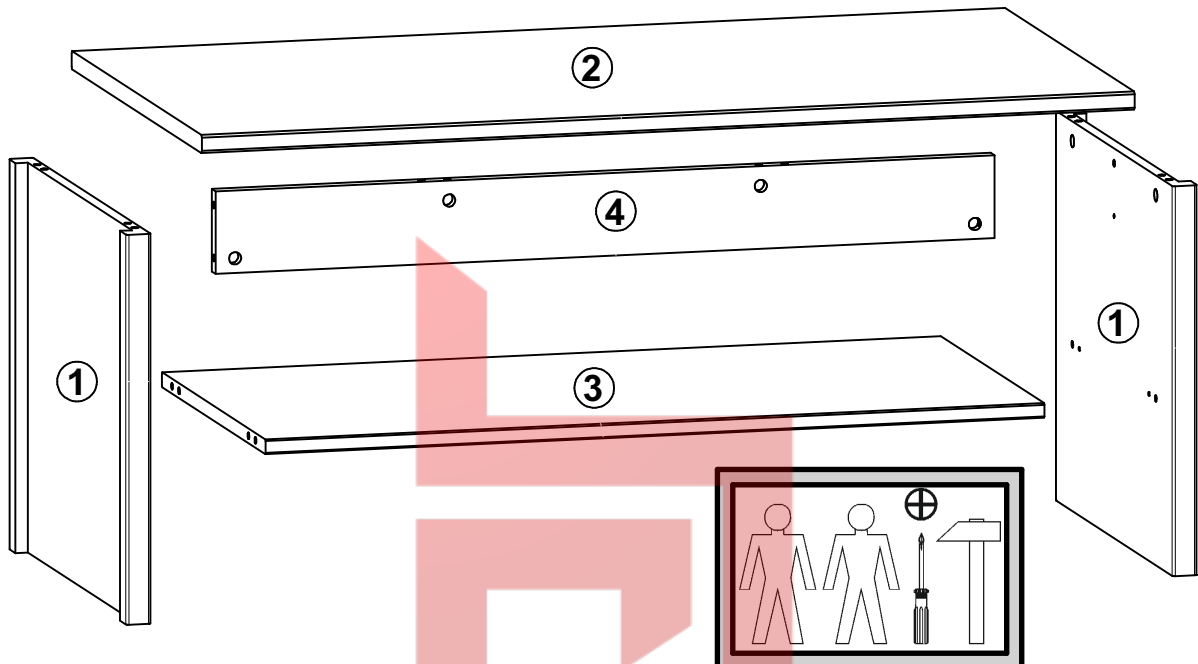
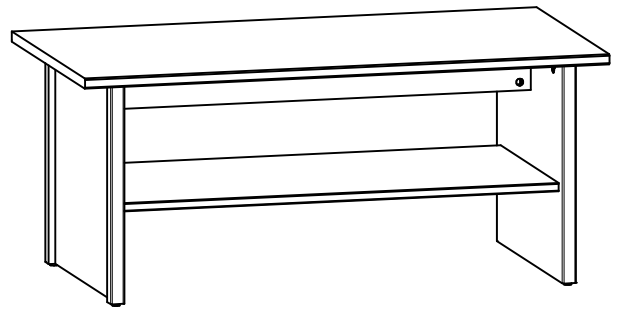
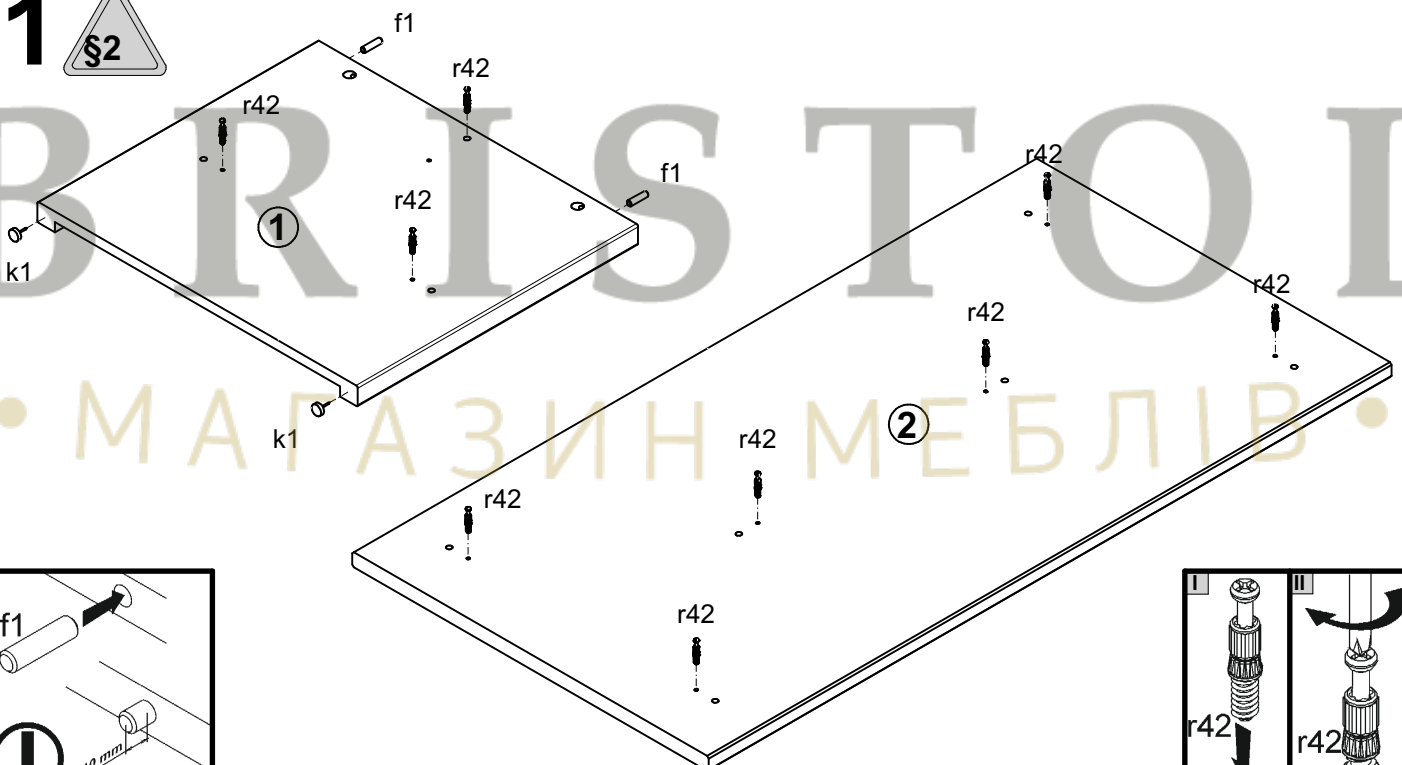
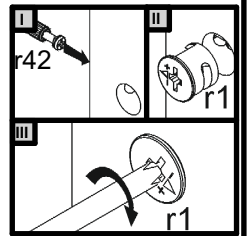
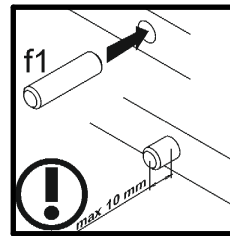
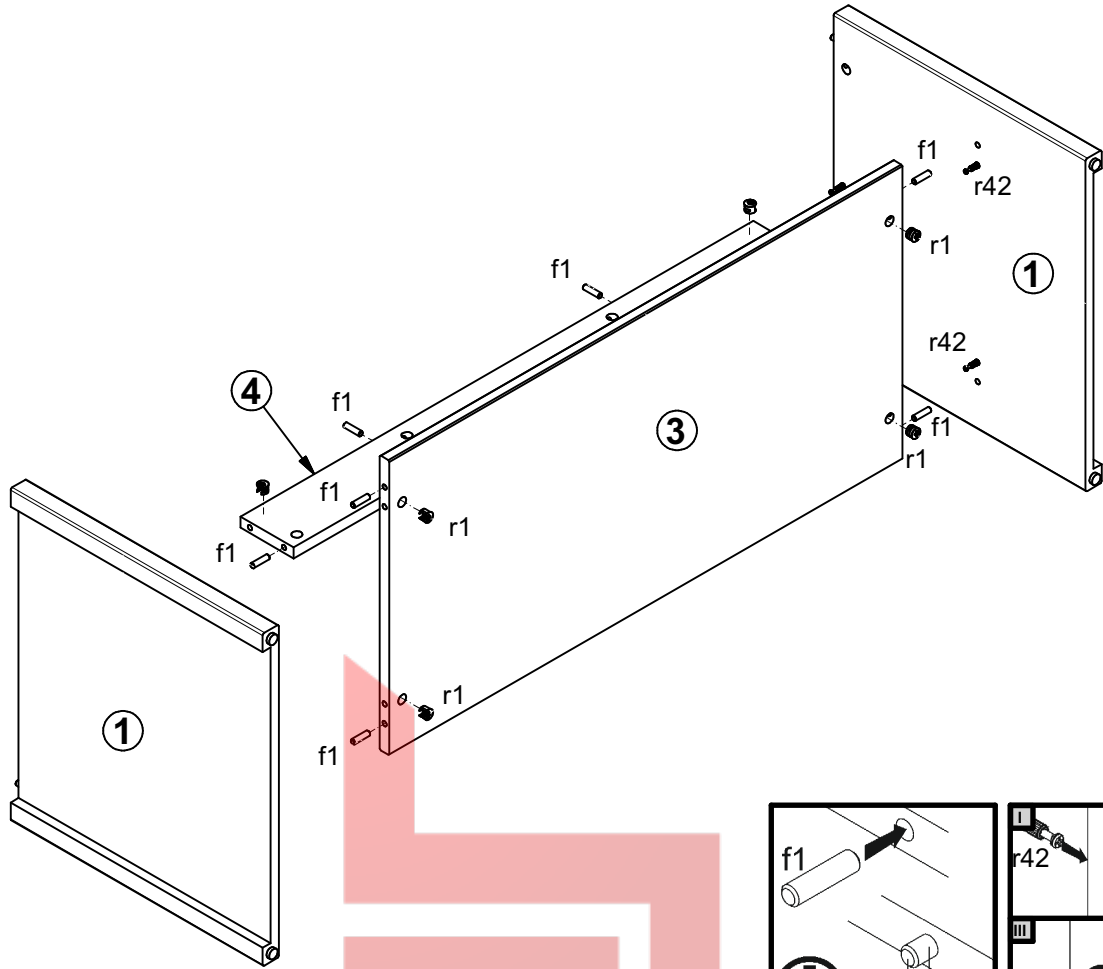


**A****PORTO****S322-LAW/115**

A	B	C	D	
1	S322-1135	472	540	1/1
2	S322-2212	1150	600	1/1
3	S322-3319	960	478	1/1
4	S322-4416	960	100	1/1

**1**

# 2



# 3

