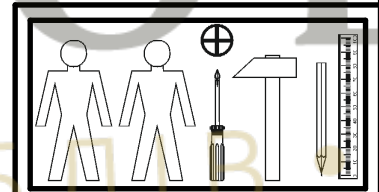
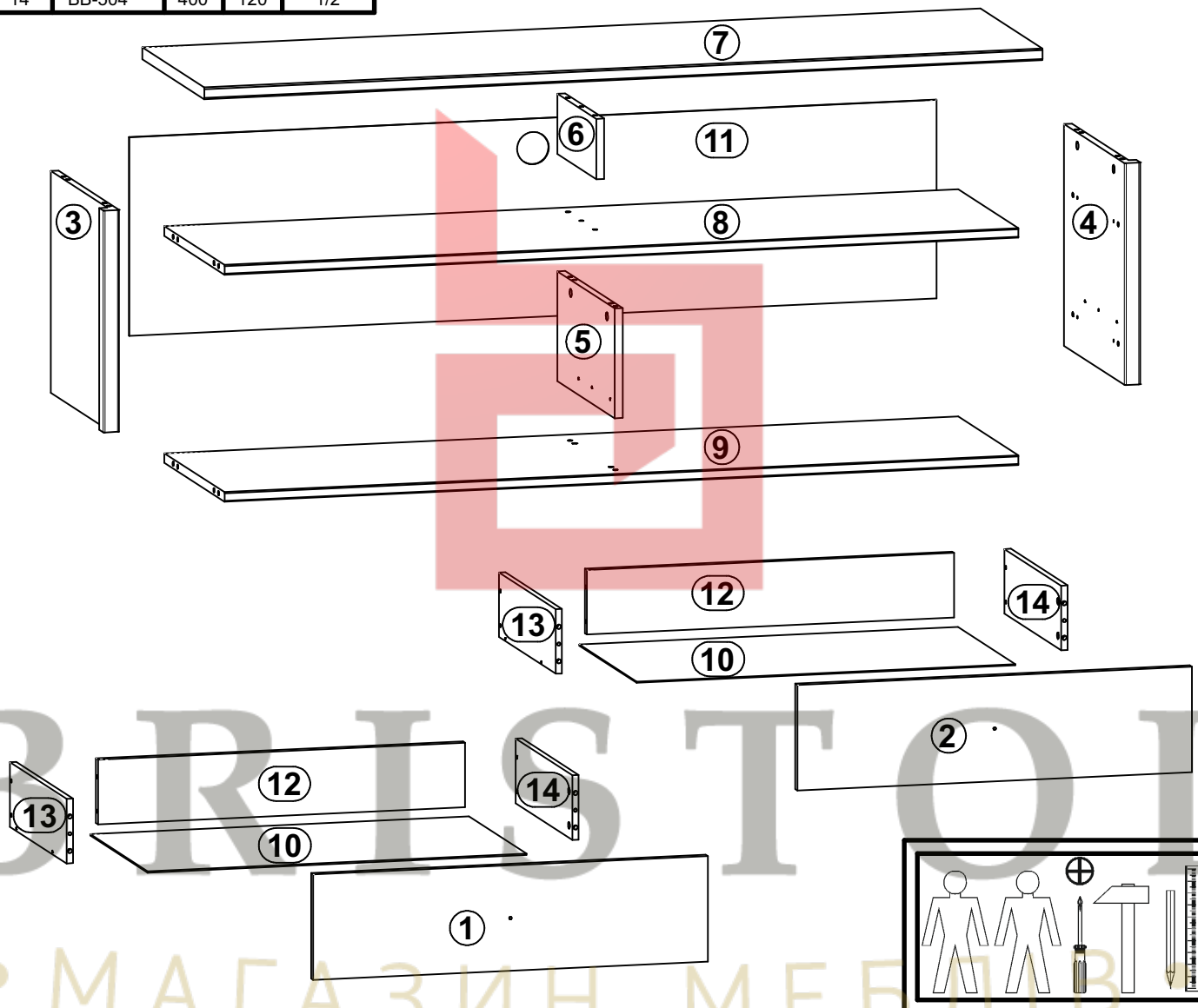
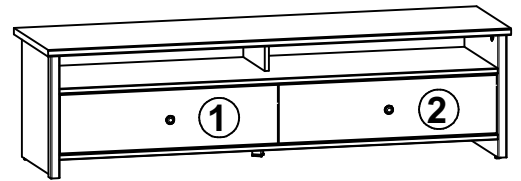
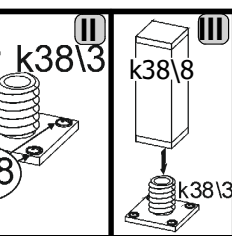
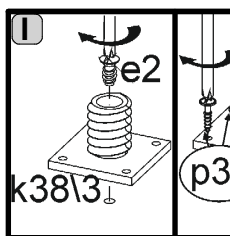
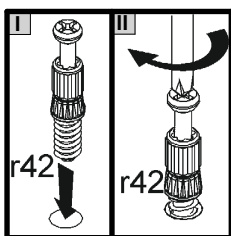
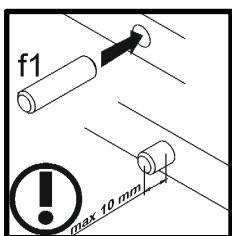
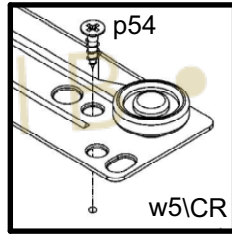
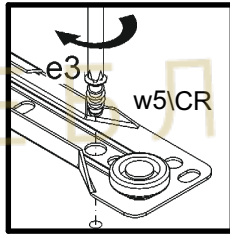
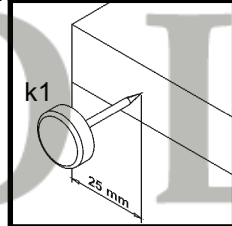
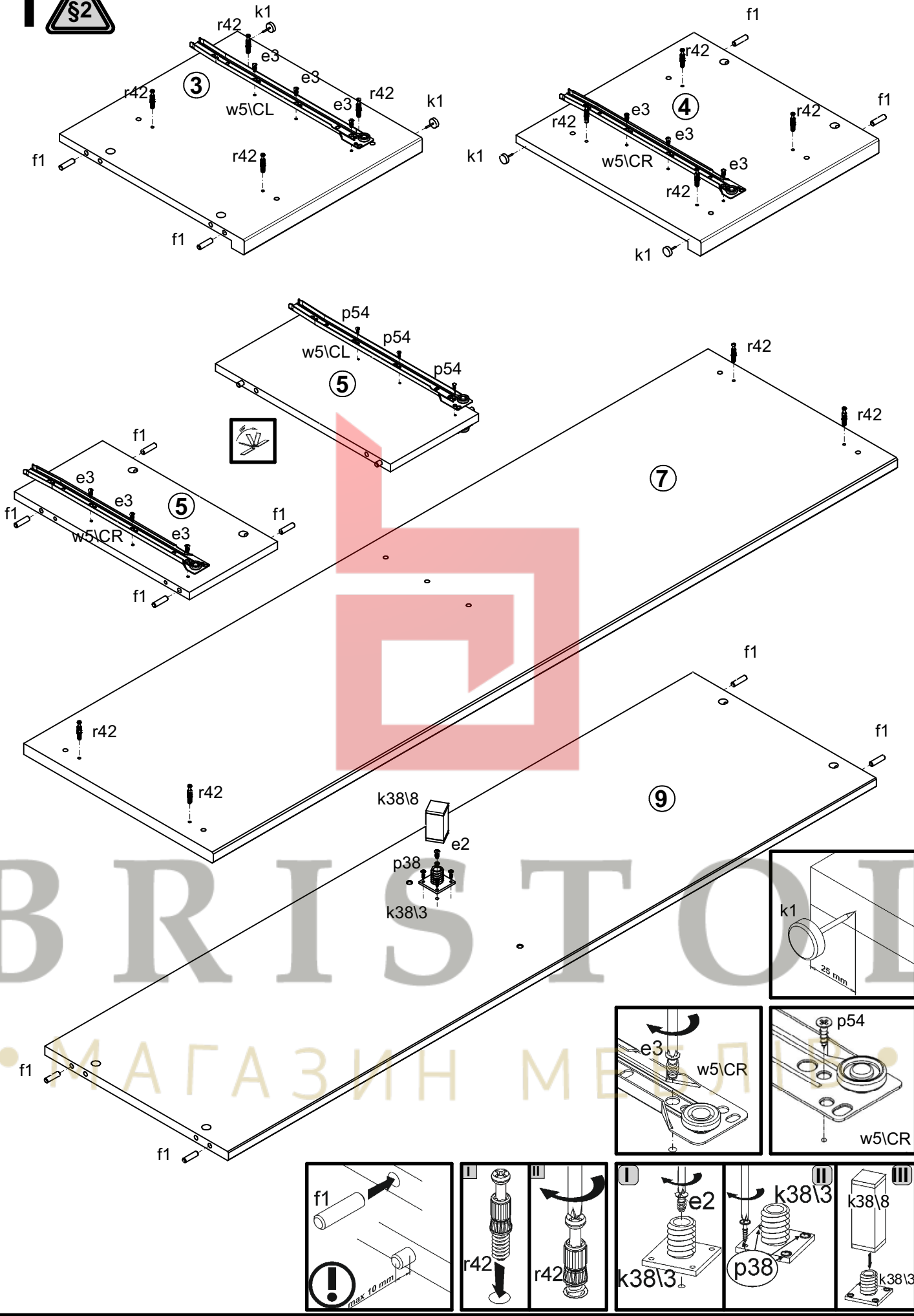


A	B	C	D	
1	S322-0025	746	196	2/2
2	S322-0026	746	196	2/2
3	S322-1105	412	428	1/2
4	S322-1106	412	428	1/2
5	S322-1107	204	405	1/2
6	S322-1108	112	275	1/2
7	S322-2213	1585	439	1/2
8	S322-3323	1501	425	1/2
9	S322-3424	1501	425	1/2
10	S322-9931	715	405	1/2
11	S322-9932	369	1528	1/2
12	ZB-5509	685	120	1/2
13	BB-503	400	120	1/2
14	BB-504	400	120	1/2

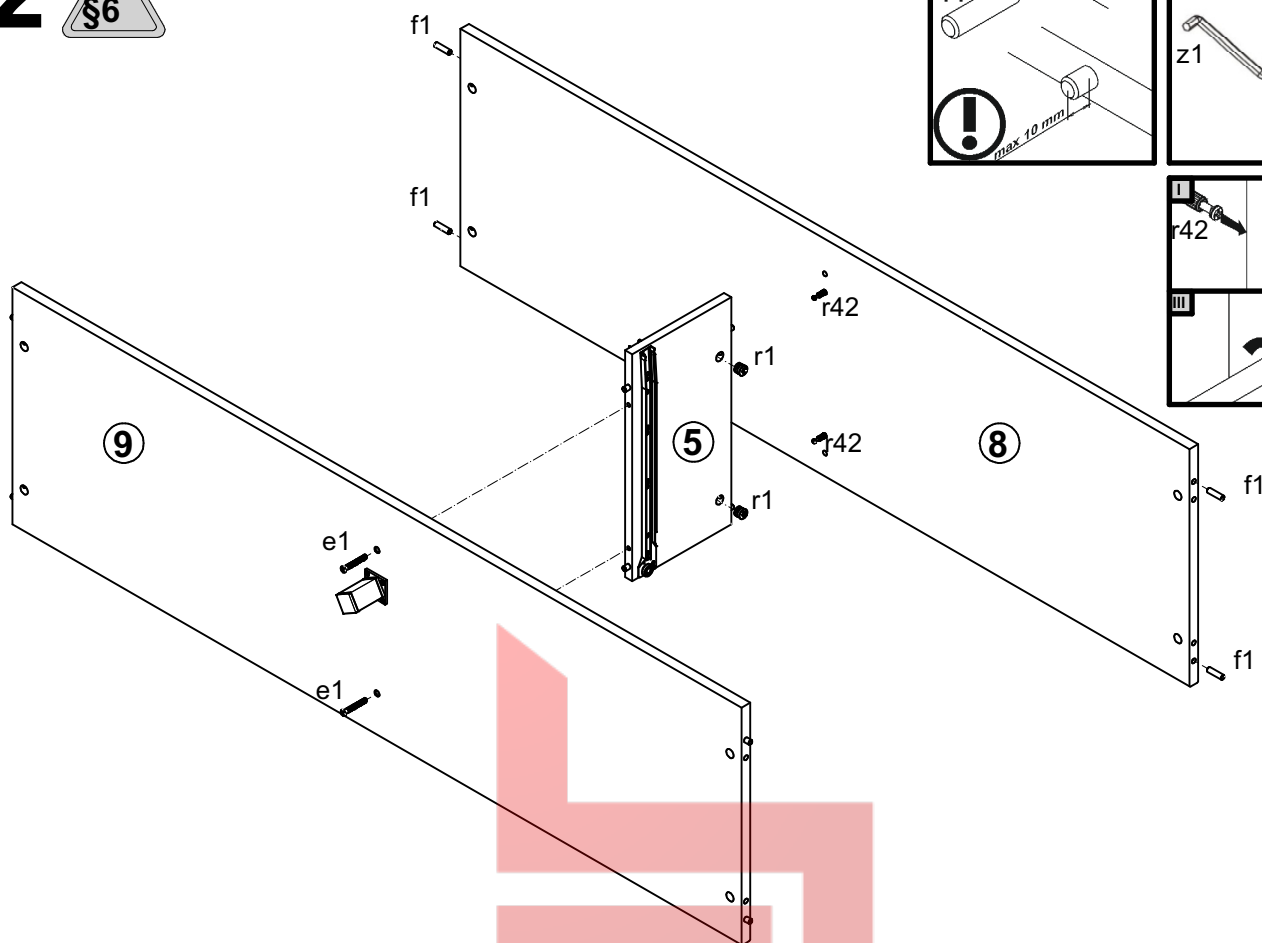
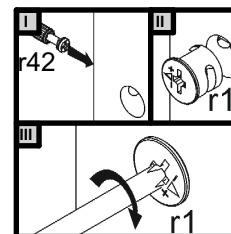
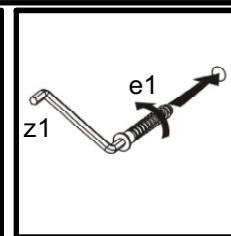
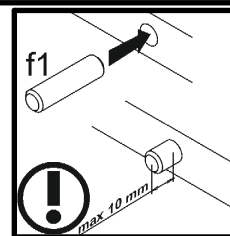


2x M4 c415	2x ø7x50 mm e1	1x ø6,3x13 mm e2	9x ø6x13 mm e3	8x ø5x9 mm e19	26x ø8x30 mm f1	8x ø6,5x40 mm f25	2x M4x20 mm j1	4x k1
1x 42,5x42,54 mm k3813	1x 30x30x60 mm k3818	55x l1	2x ø3,5x16 mm p25	2x ø3,5x10 mm p35	16x ø3,5x16 mm p38	3x ø3x12 mm p54	22x ø15x12 mm #16 r1	22x 20/11 r42
2x 400 mm t33	2x 400 mm w51CL	2x 400 mm w51CR	2x 400 mm w51DL	2x 400 mm w51DR	5x ø16 s2	1x z1		

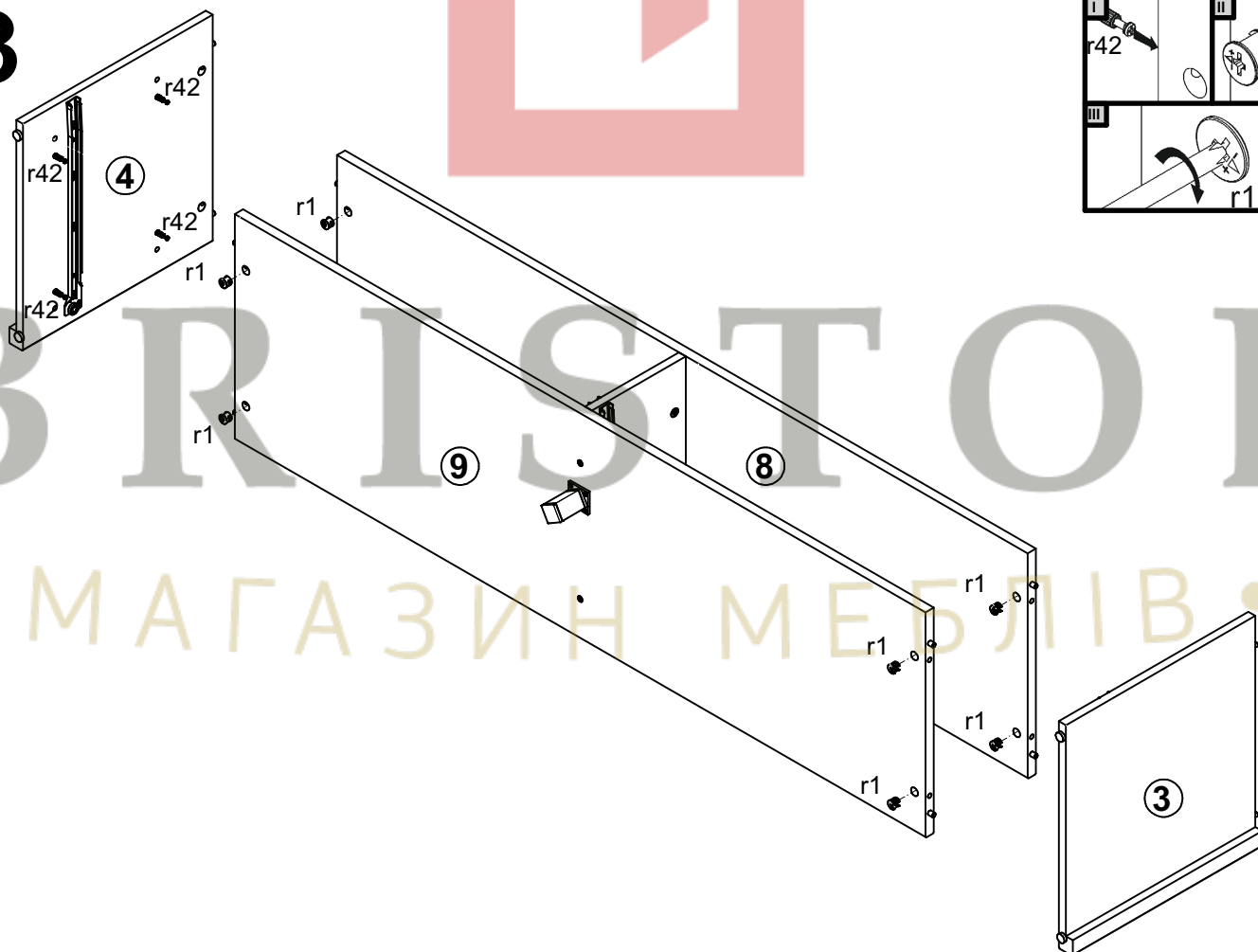
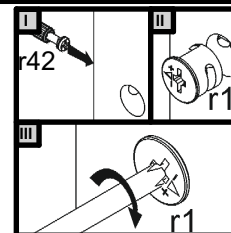
1 



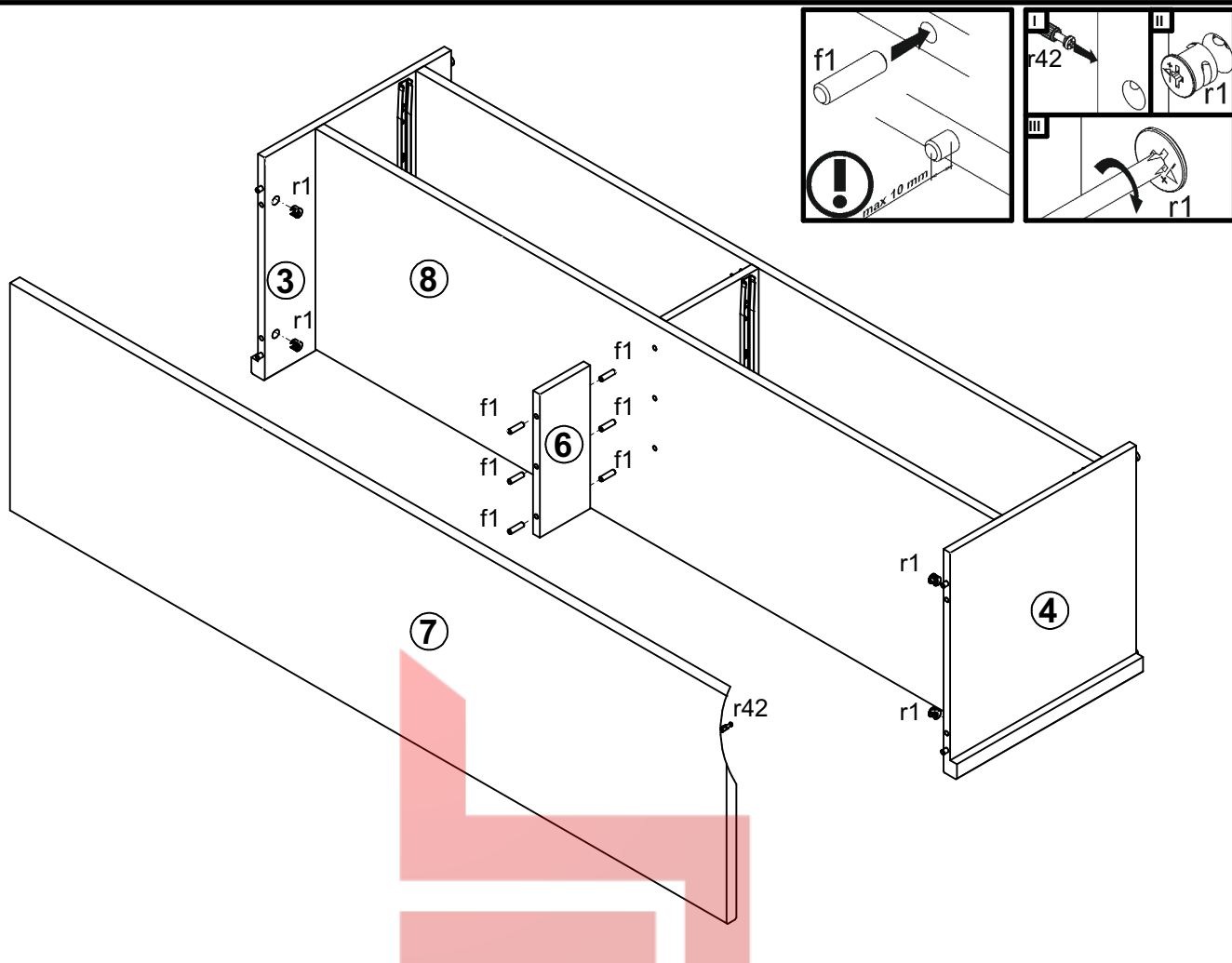
2 



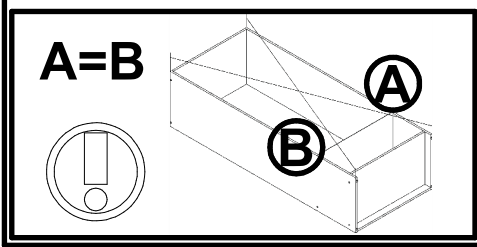
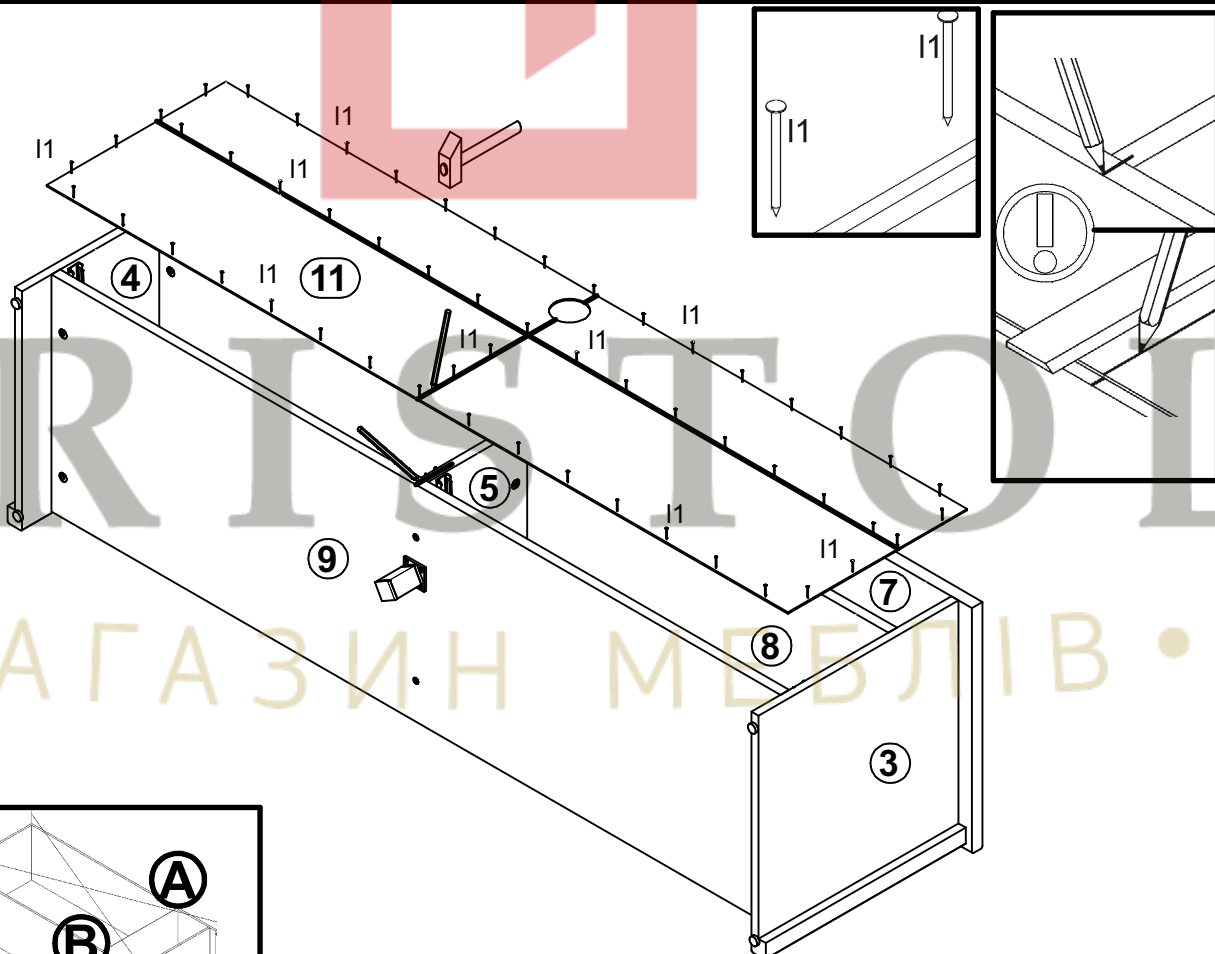
3



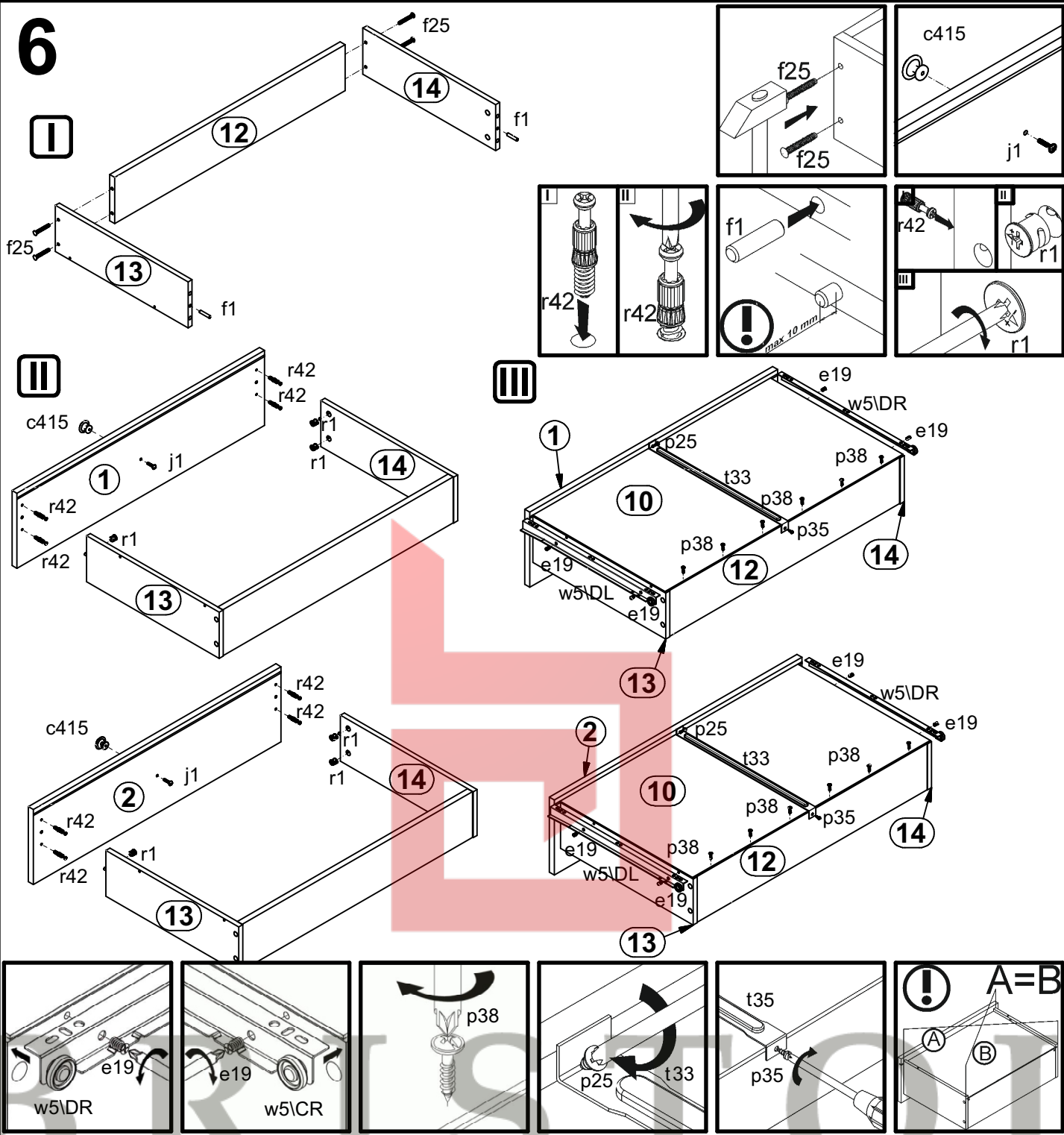
4



5



6



7

