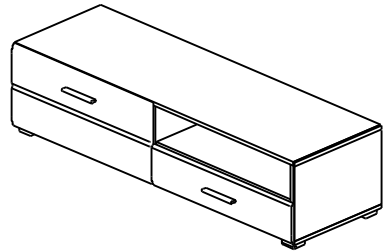
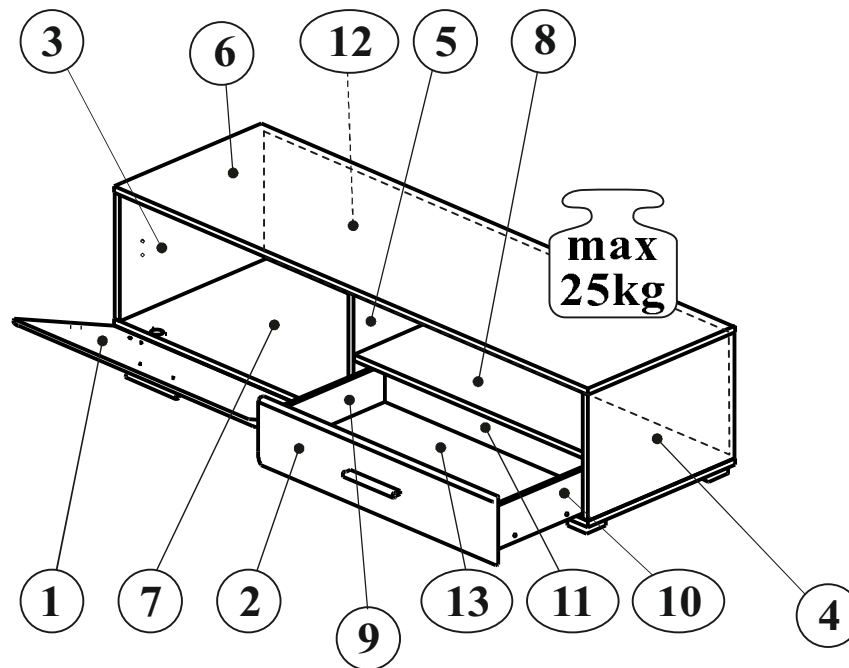


4x b1	8x a44	8x b19	8x L=96/128 mm c235	16x ø5x17 mm d1	16x ø5x17 mm d3	34x ø7x50 mm e1	2x ø6,3x13 mm e2	12x ø6x13 mm e3	4x ø6,3x13 mm e5	4x ø5x11 mm e4	8x ø5x9 mm e19	64x ø8x30 mm f1
8x ø6,5x40 mm f25	10x ø10x50 mm f35	2x g2	10 60x60x25 mm MEBEX k55	36x l2	2x L-236 m3	4x n165L	4x n165P	24x o1	2x ø8x1,8 mm silikon o21	20x ø4x35 mm p6	16x ø4x30 mm p9	2x ø5x60 mm p17
16x ø4x30 mm p21	36x ø3,5x16 mm p38	6x ø3,5x9,5 mm p44	16x ø3,5x15 mm p51	8x ø6x60 mm p75	44x ø15x12mm #16 r1	44x 20/11 r42	32x ø16 s2	2x 350 mm w45 ^{CR}	2x 350 mm w45 ^{CL}	2x 350 mm w45 ^{DL}	2x 350 mm w45 ^{DR}	1x z1

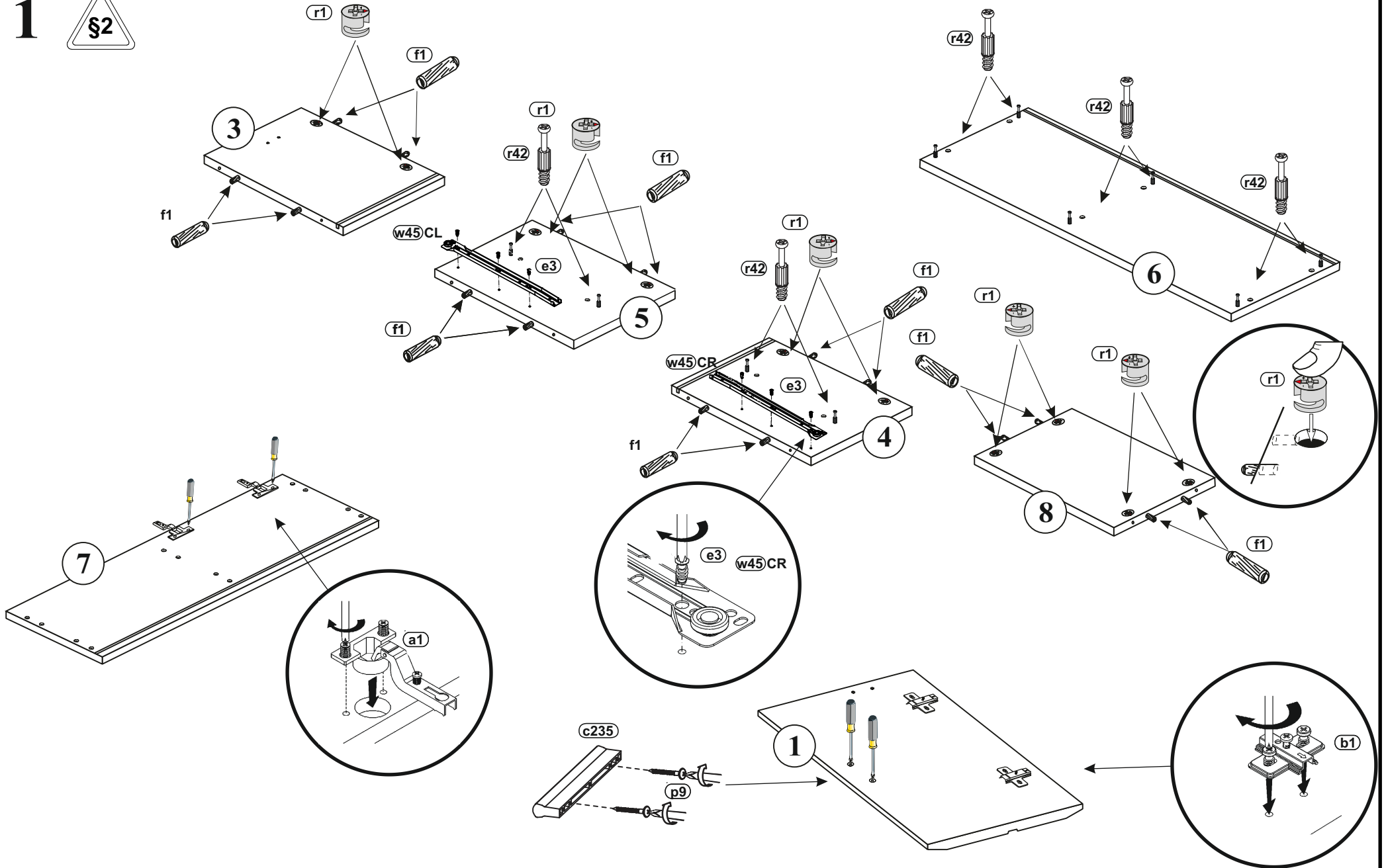


A	B	C (mm)		D
1	N20-001	695	311	177
2	N20-003	695	156	177
3	N20-101	285	437	177
4	N20-102	285	437	177
5	N20-103	285	417	177
6	N20-201	1400	437	177
7	N20-202	1400	437	177
8	N20-301	676	417	177
9	N20-501	387	90	177
10	N20-502	387	90	177
11	N20-503	619	90	177
12	N20-901	1377	295	177
13	N20-902	629	385	177

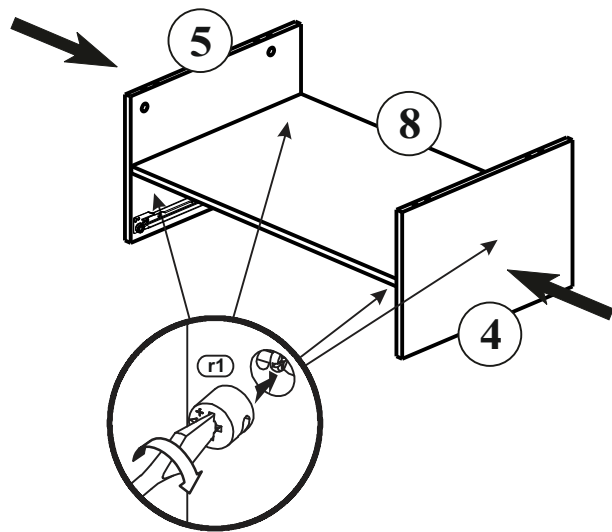


1-7

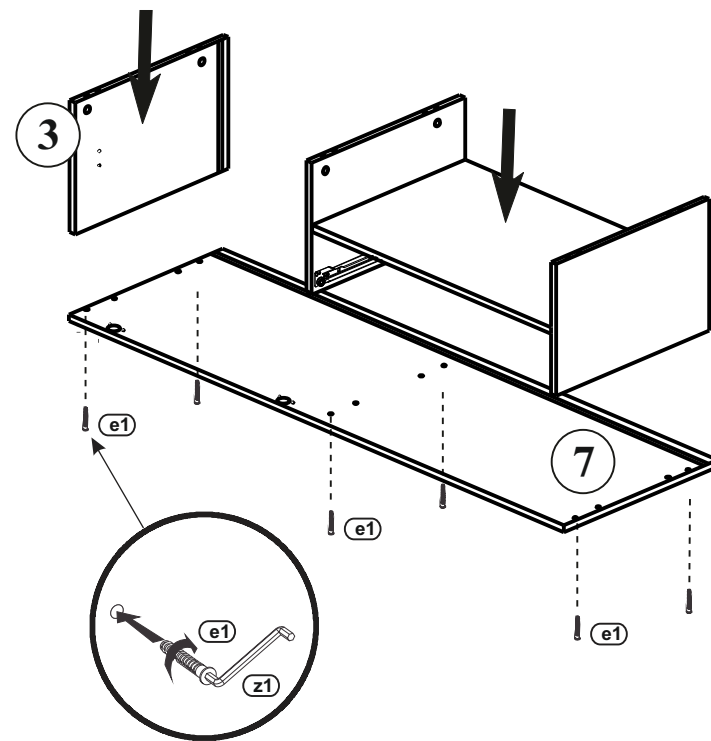
1



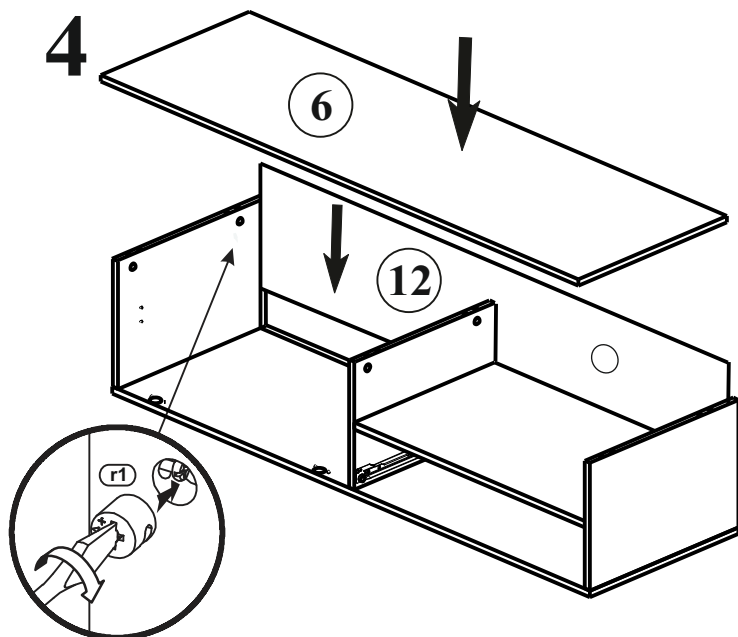
2



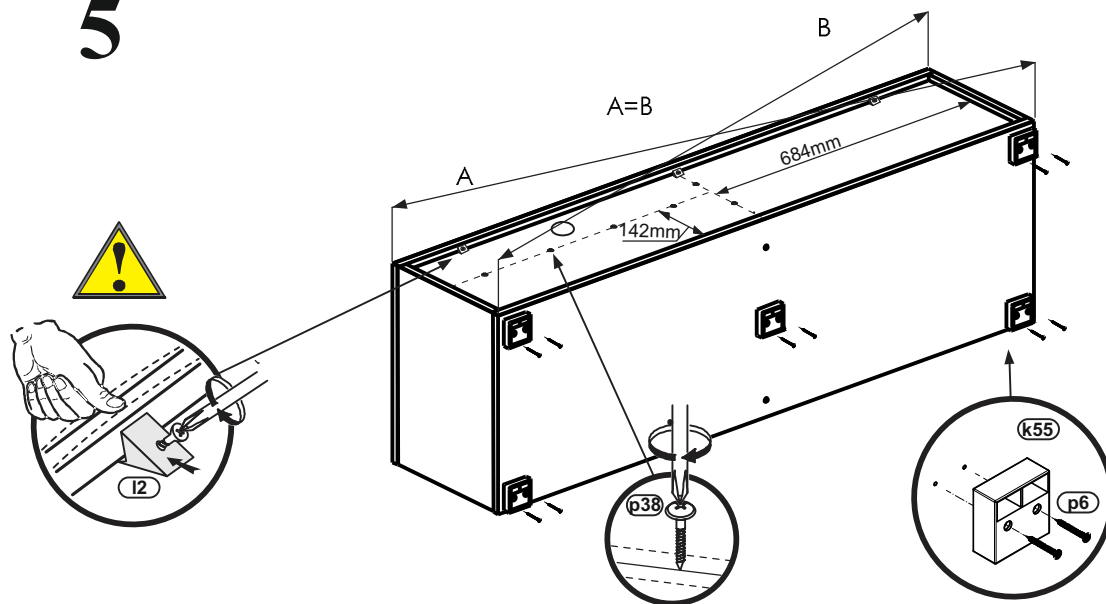
3

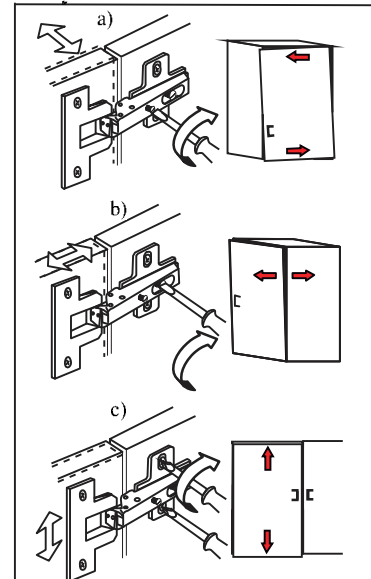
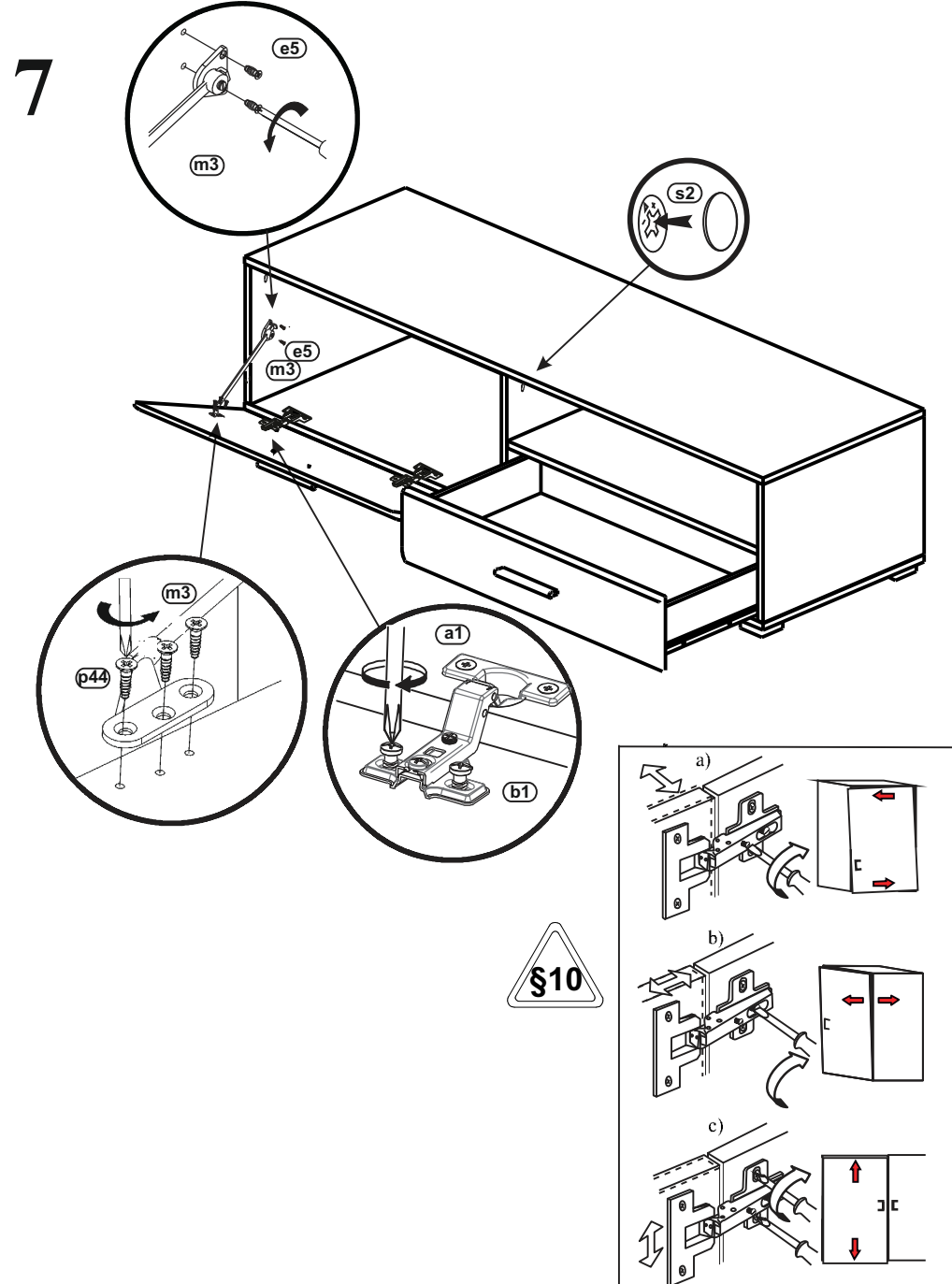
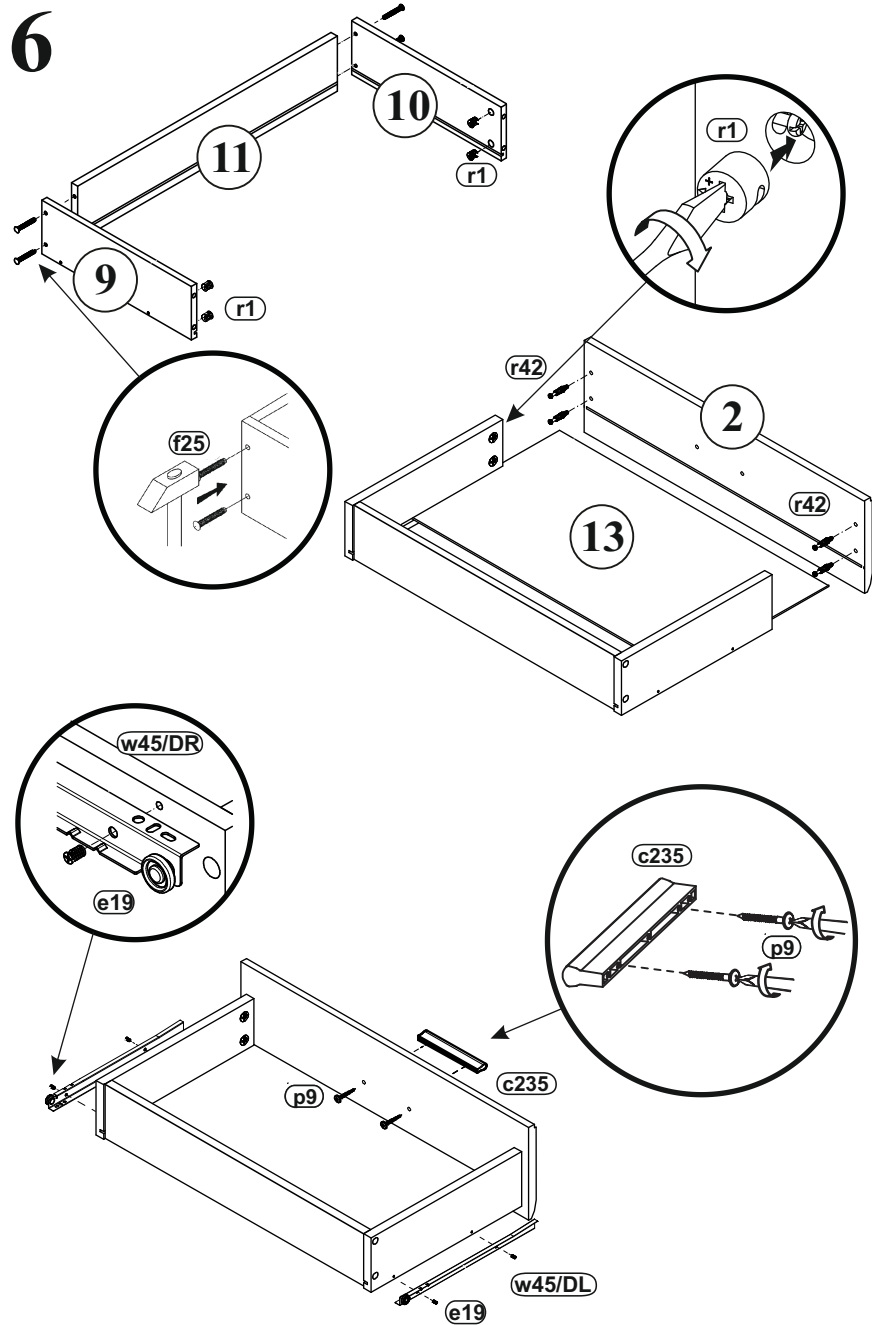


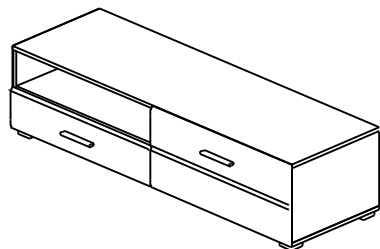
4



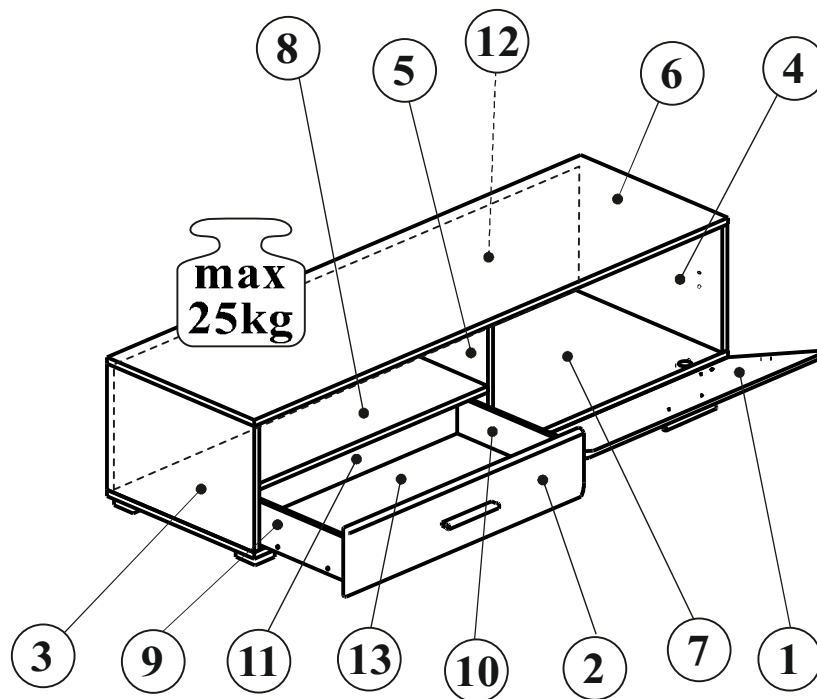
5





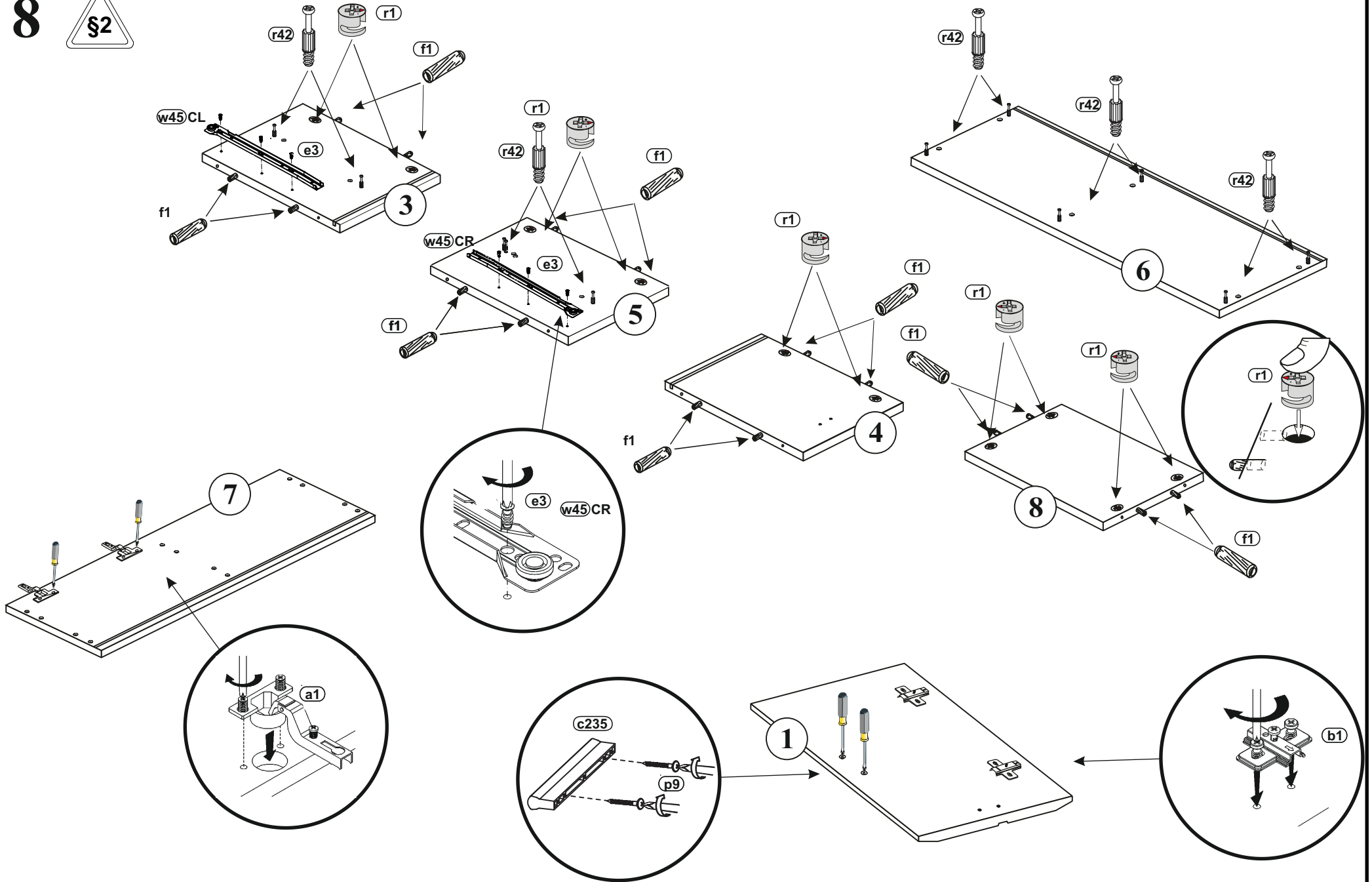


A	B	C (mm)		D
1	N20-004	695	311	2/7
2	N20-002	695	156	2/7
3	N20-104	285	437	2/7
4	N20-105	285	437	2/7
5	N20-106	285	417	2/7
6	N20-201	1400	437	2/7
7	N20-203	1400	437	2/7
8	N20-301	676	417	2/7
9	N20-501	387	90	2/7
10	N20-502	387	90	2/7
11	N20-503	619	90	2/7
12	N20-903	1377	295	2/7
13	N20-902	629	385	2/7

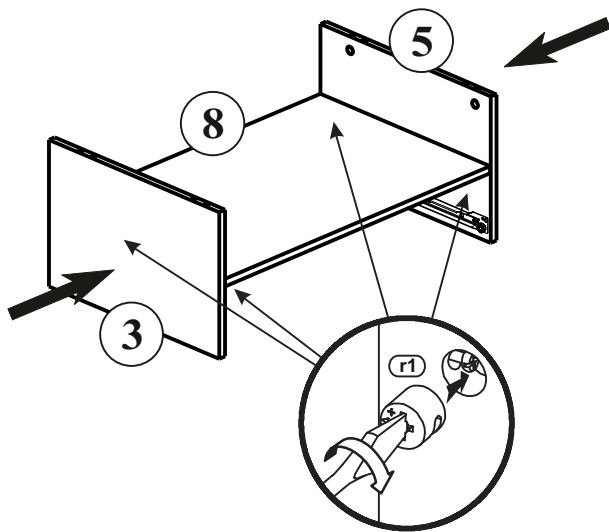


2-7

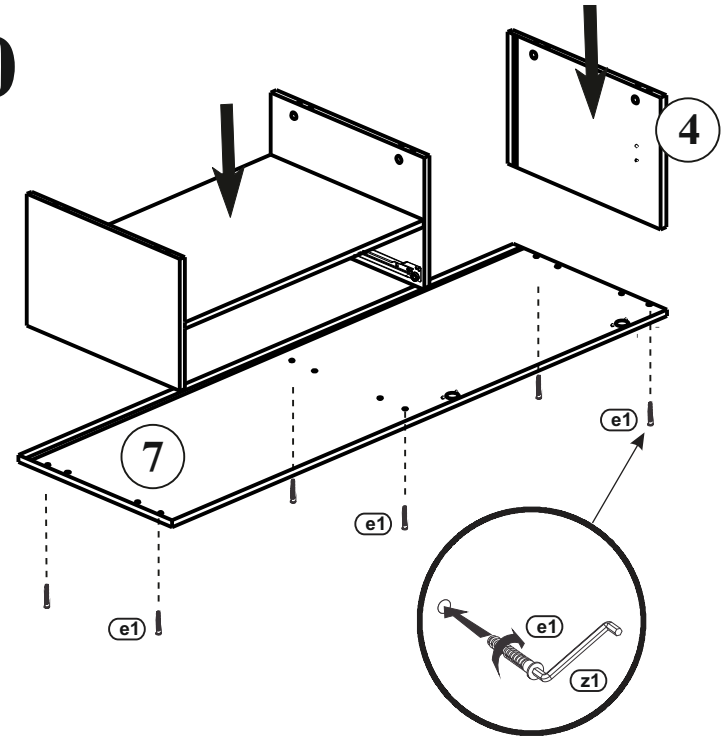
8



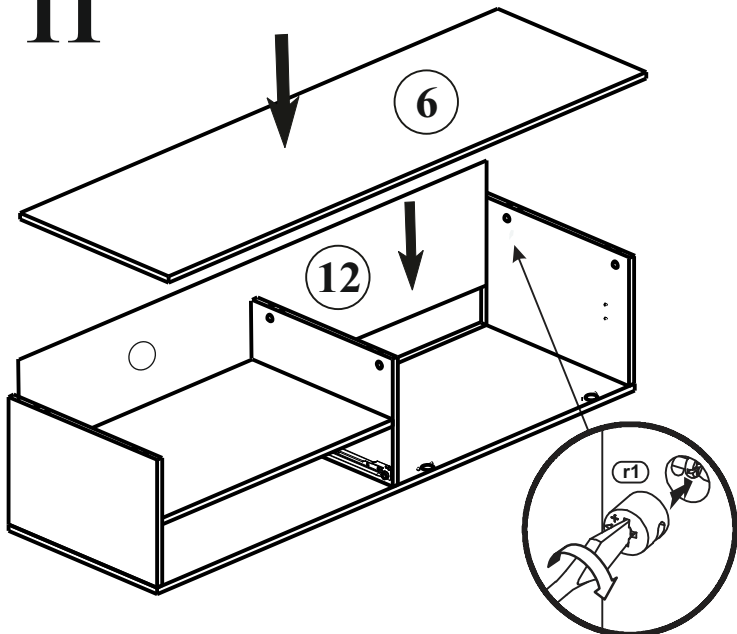
9 



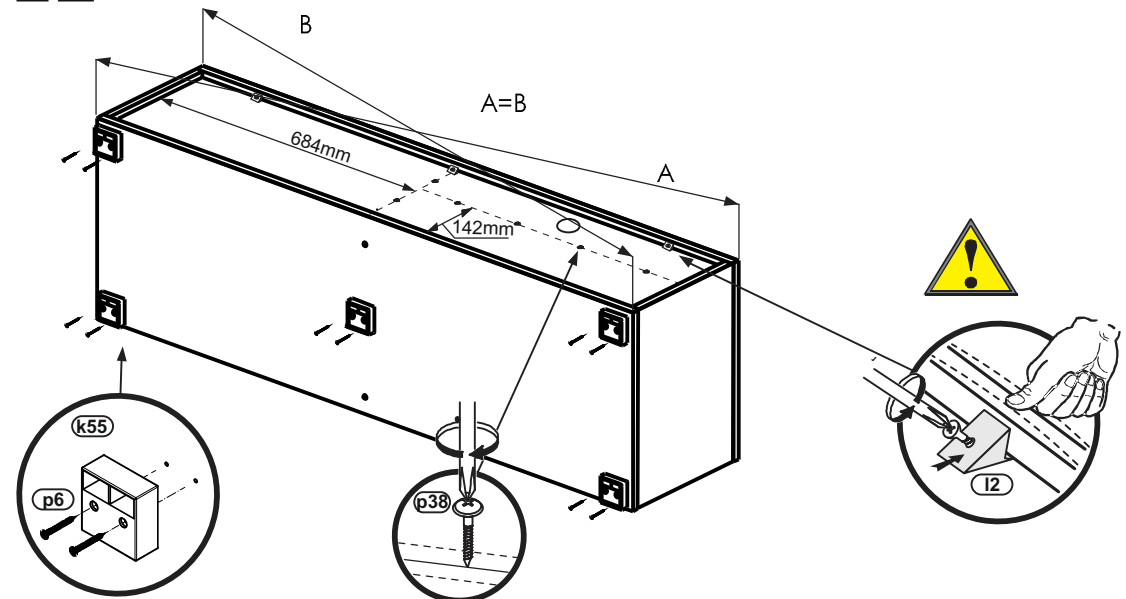
10

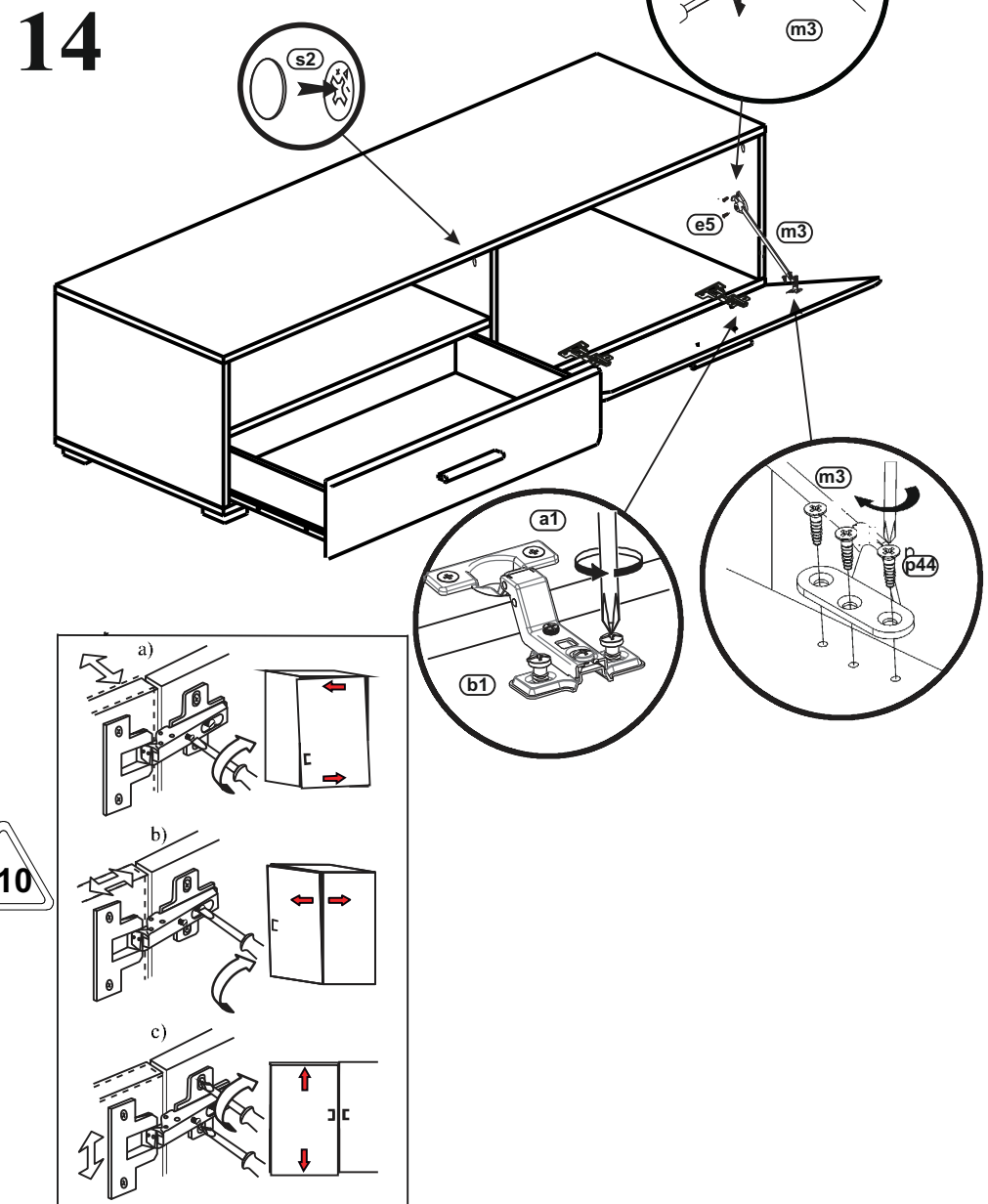
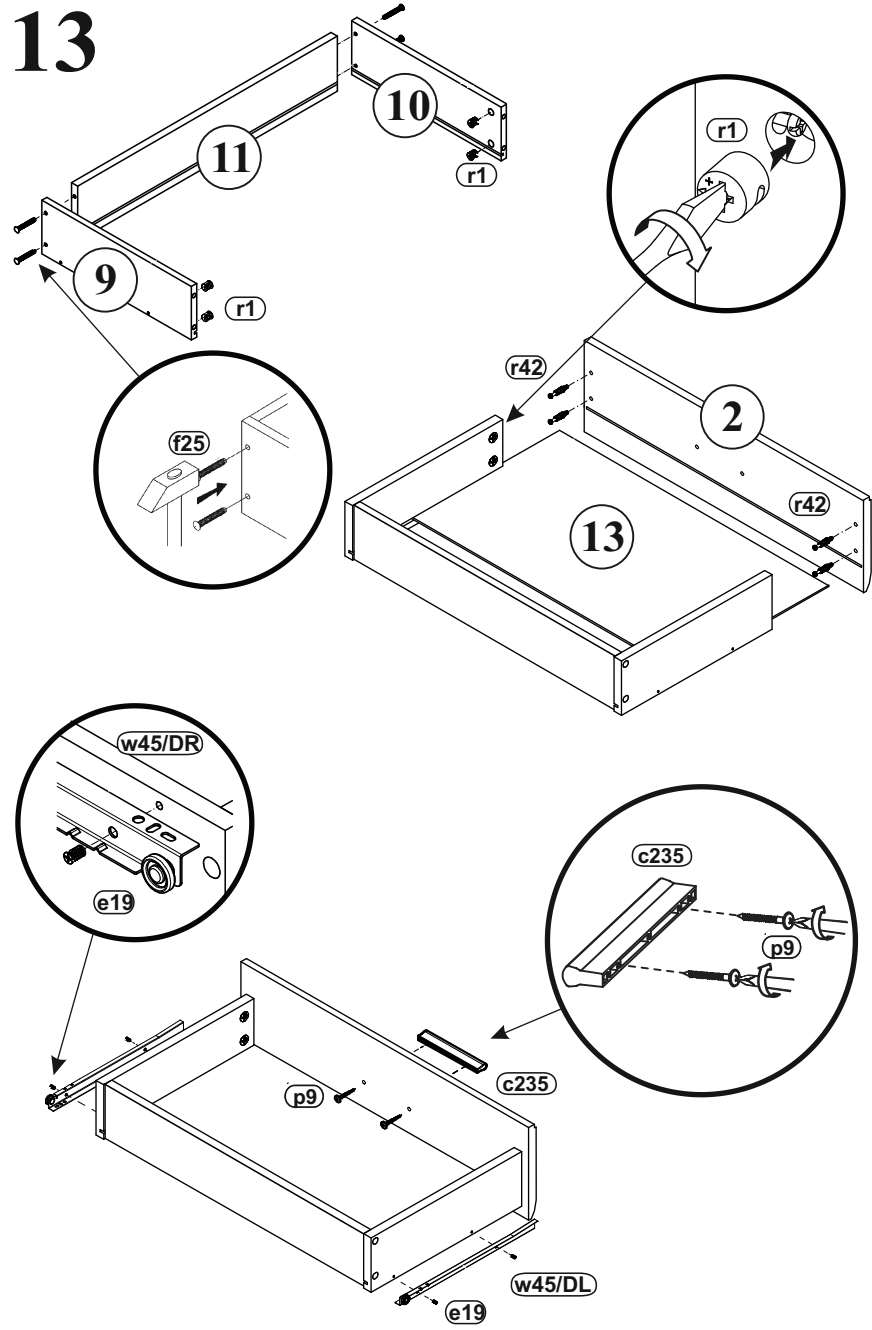


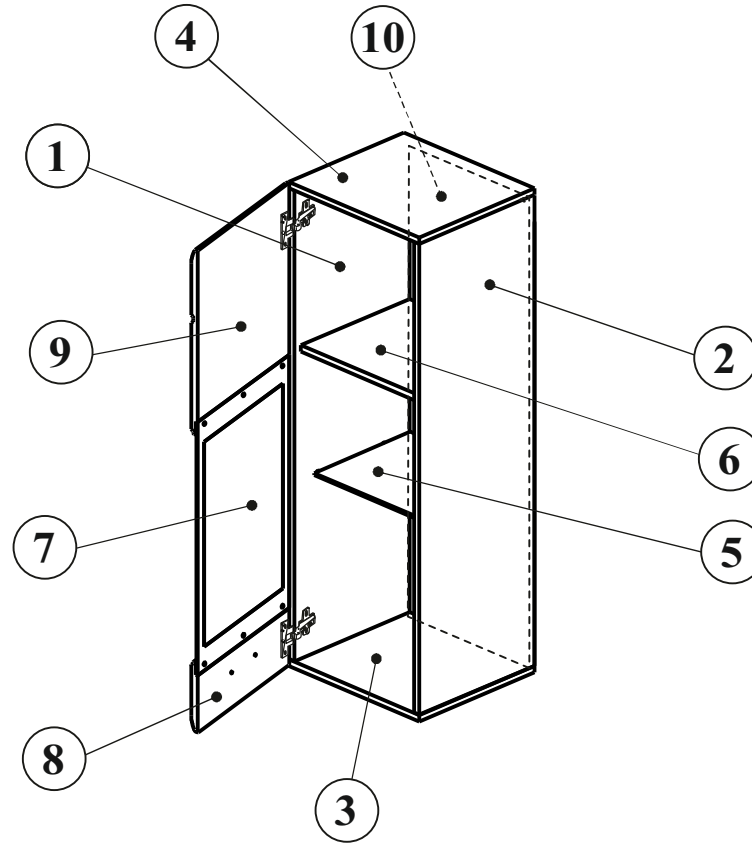
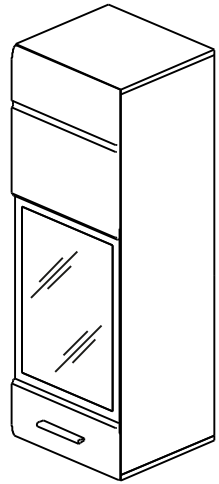
11



12





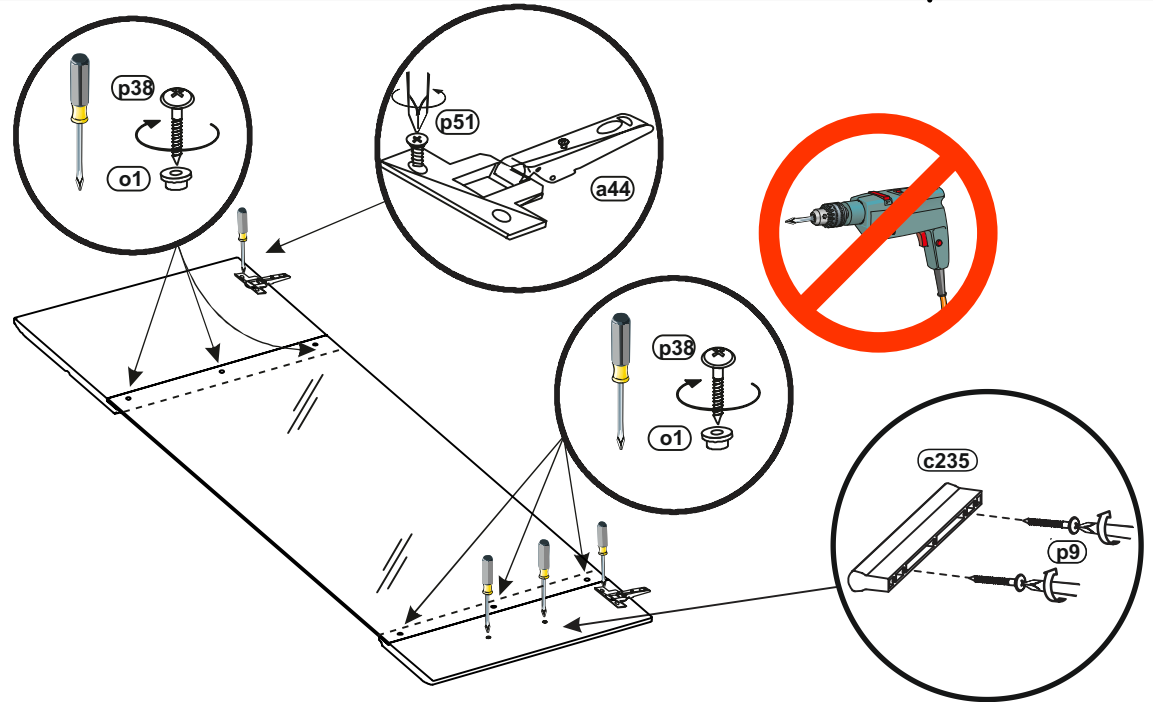
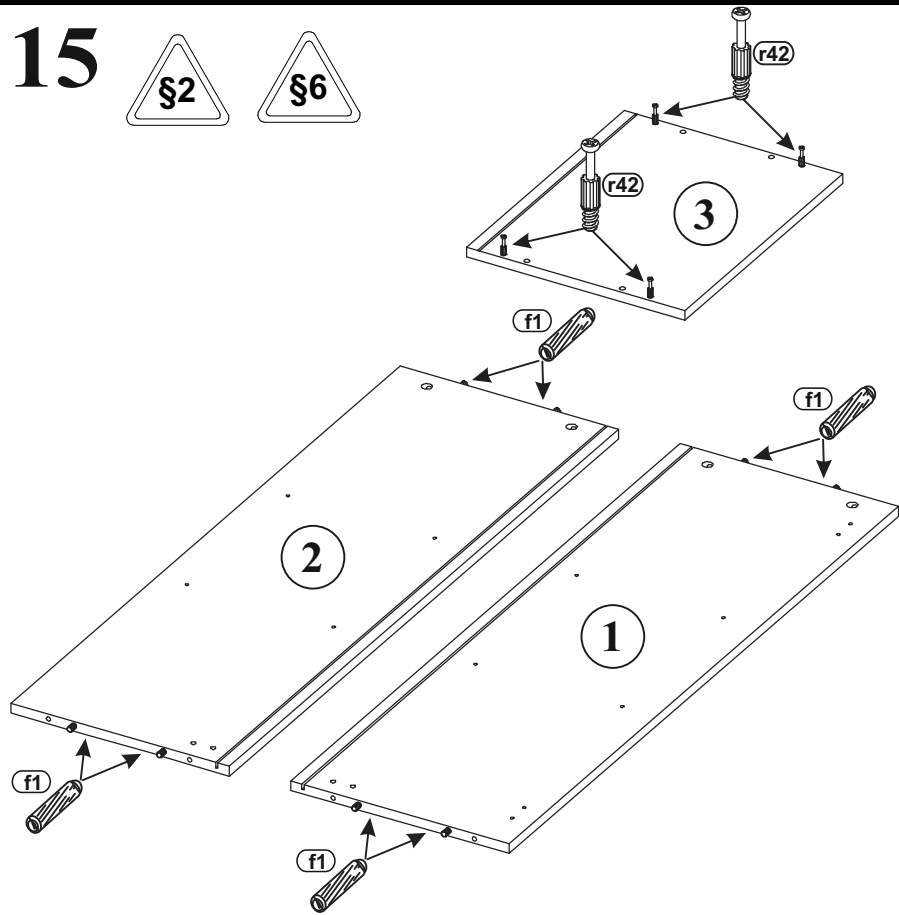


A	B	C (mm)		D
1	N20-107	1068	337	3/7 5/7
2	N20-108	1068	337	3/7 5/7
3	N20-204	380	337	3/7 5/7
4	N20-205	380	337	3/7 5/7
5	N25-504	346	292	3/7 5/7
6	N20-303	347	312	3/7 5/7
7	N20-504	556	374	3/7 5/7
8	N20-701	375	156	3/7 5/7
9	N20-702	375	442	3/7 5/7
10	N20-904	1078	357	3/7 5/7

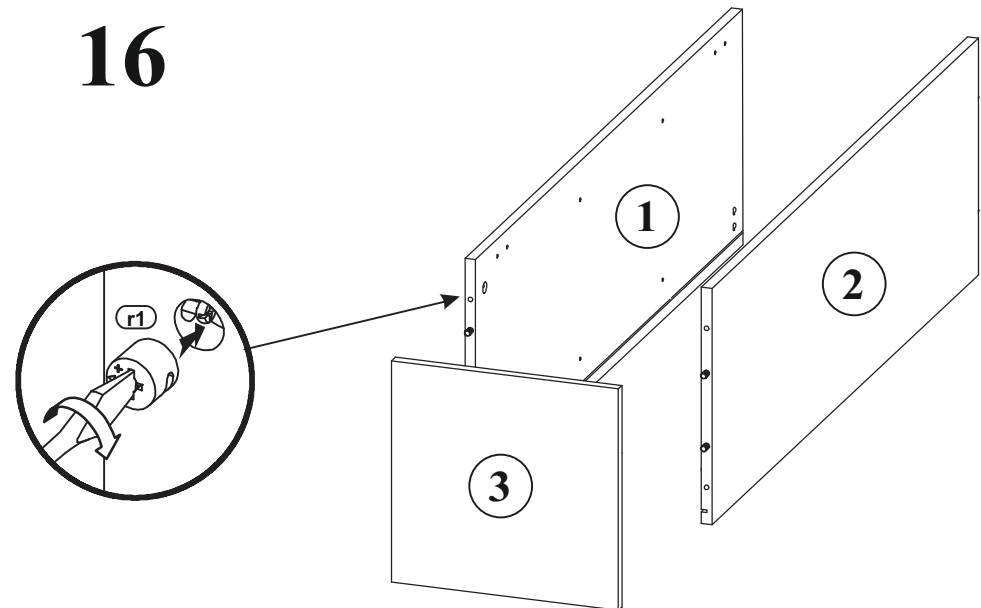
3-7

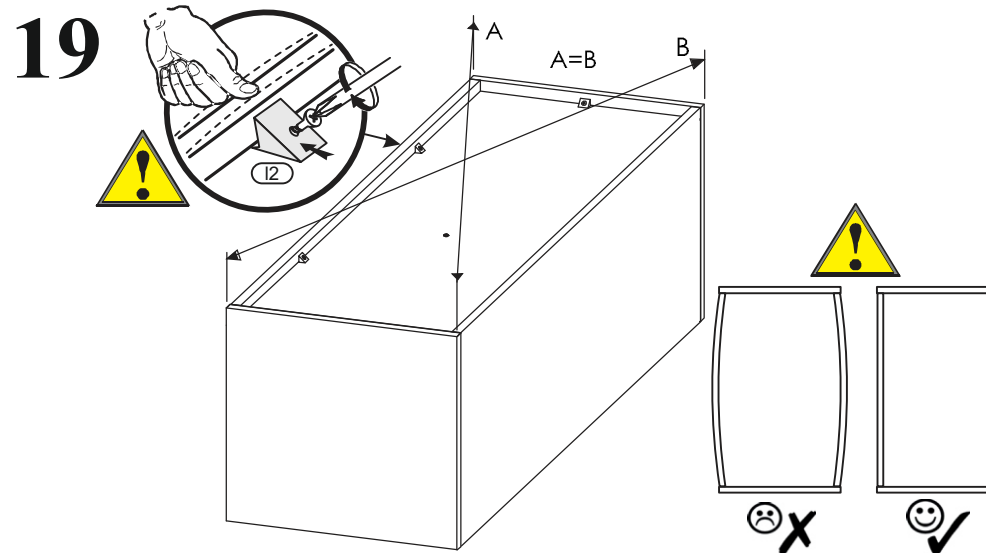
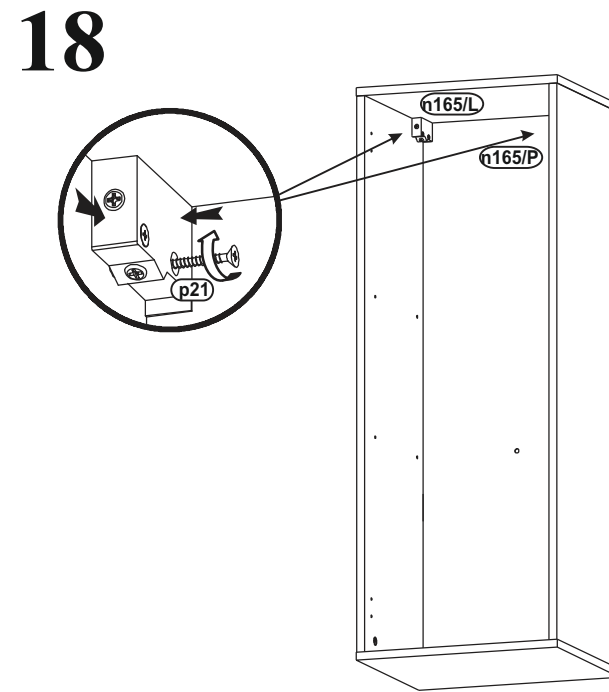
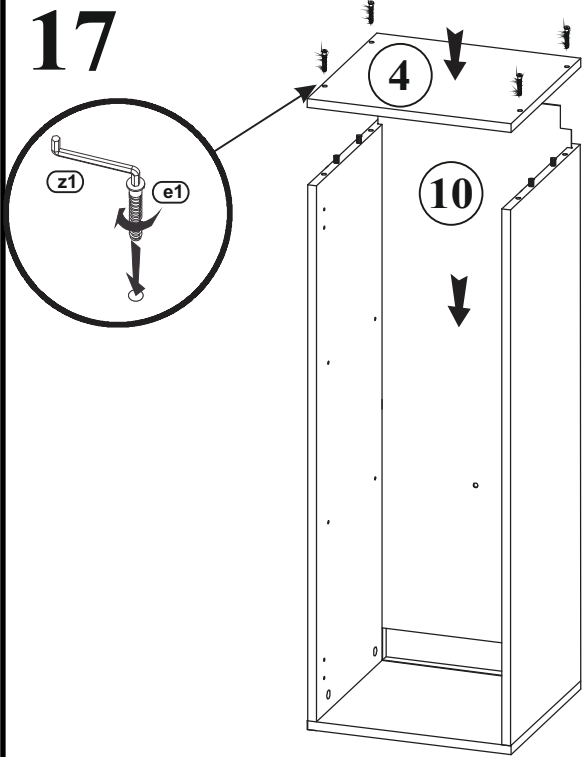
5-7

15

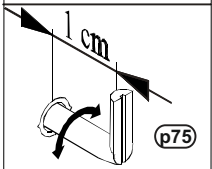
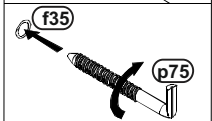
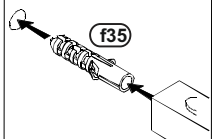
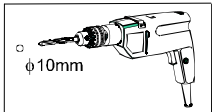


16

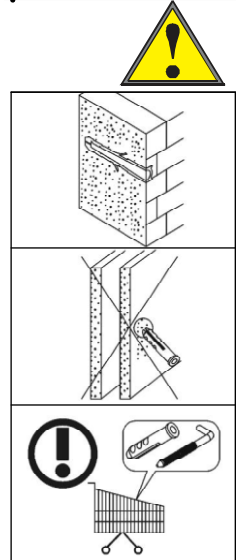
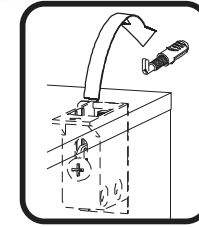
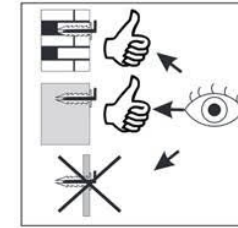
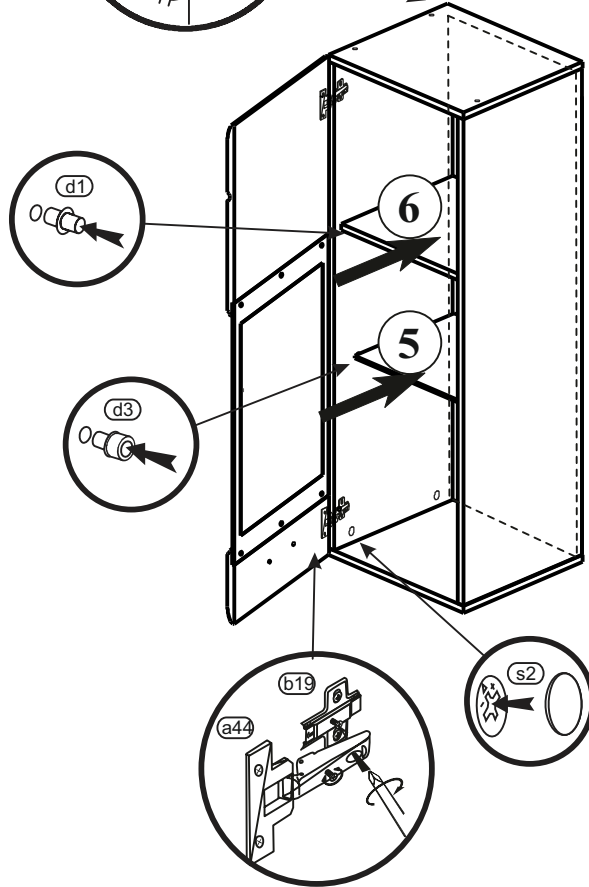
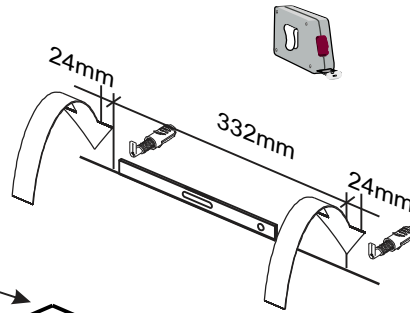
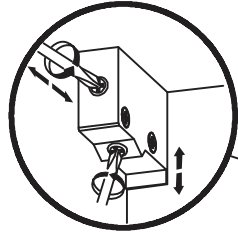




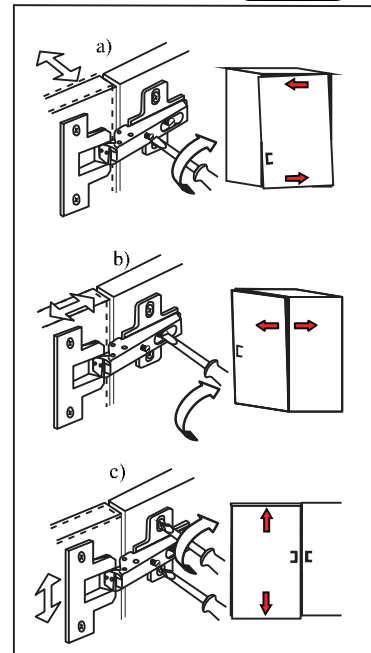
20 §4

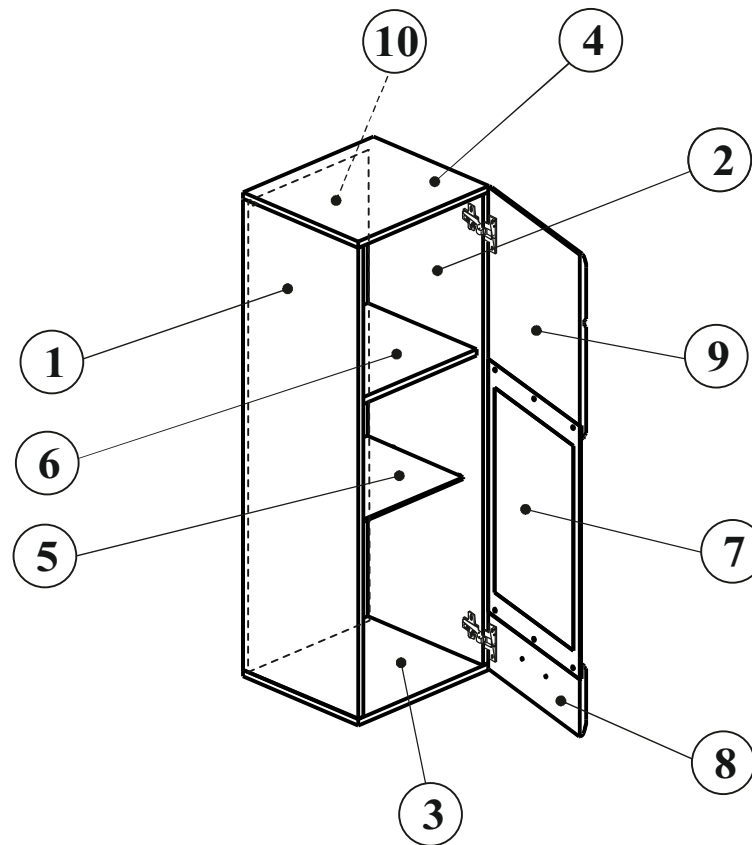
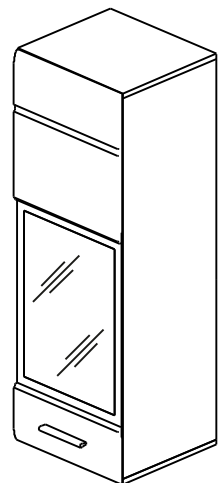


§10



§10



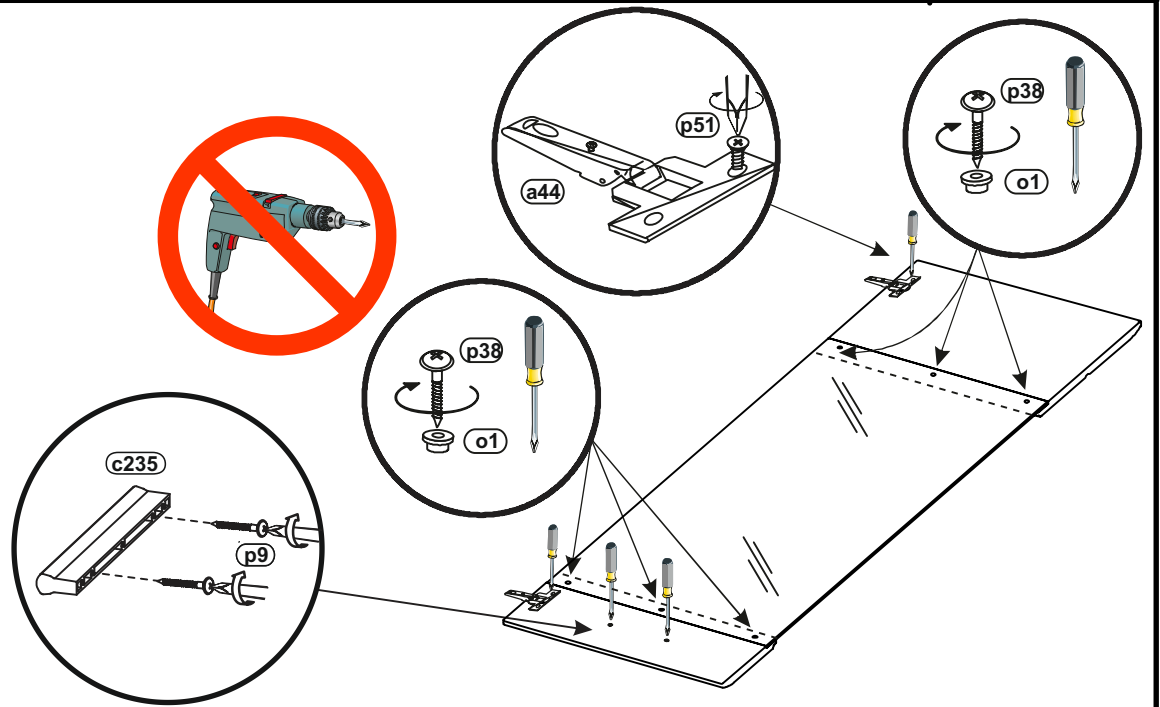
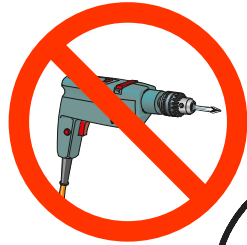
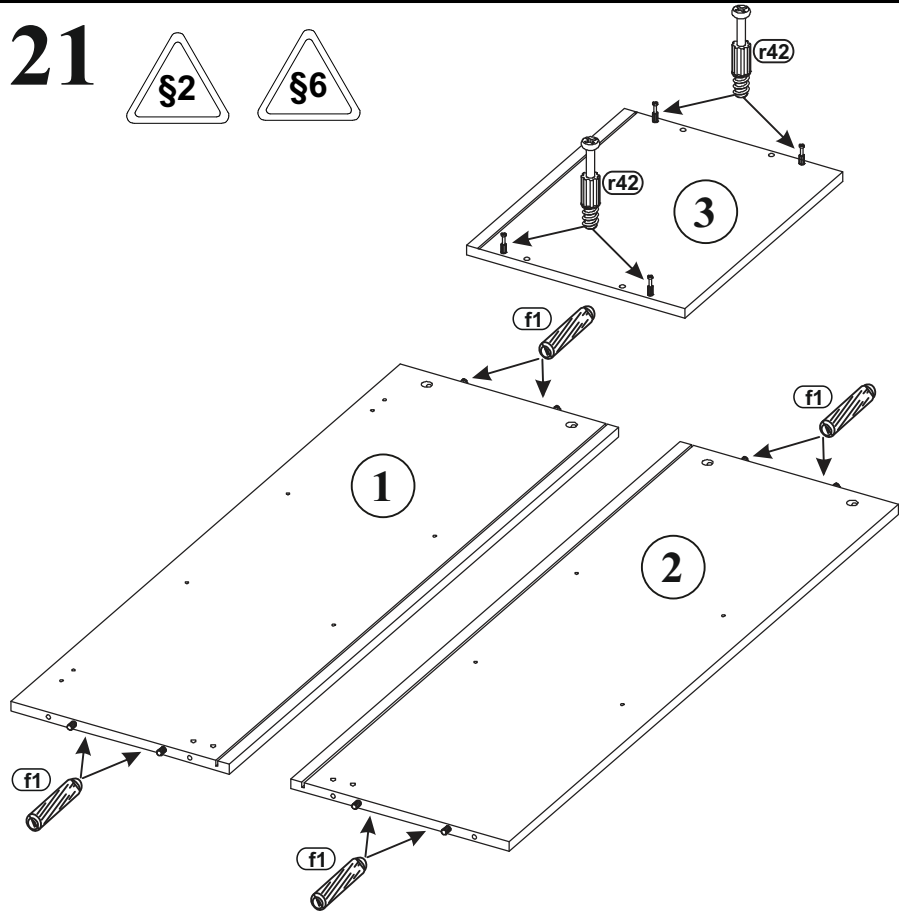


A	B	C (mm)		D
1	N20-110	1068	337	4/7 6/7
2	N20-109	1068	337	4/7 6/7
3	N20-204	380	337	4/7 6/7
4	N20-205	380	337	4/7 6/7
5	N25-504	346	292	4/7 6/7
6	N20-303	347	312	4/7 6/7
7	N20-504	556	374	4/7 6/7
8	N20-704	375	156	4/7 6/7
9	N20-703	375	442	4/7 6/7
10	N20-904	1078	357	4/7 6/7

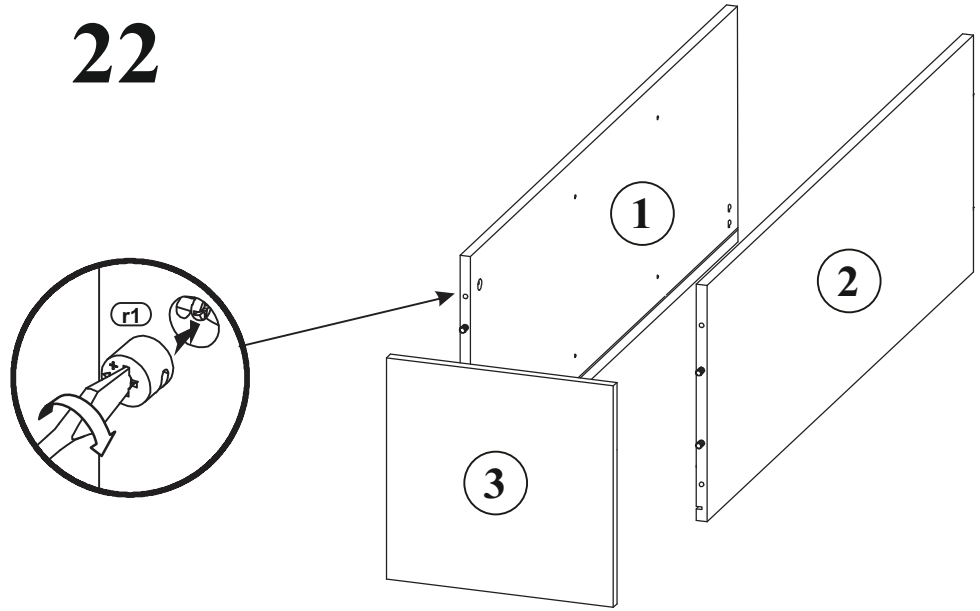
4-7

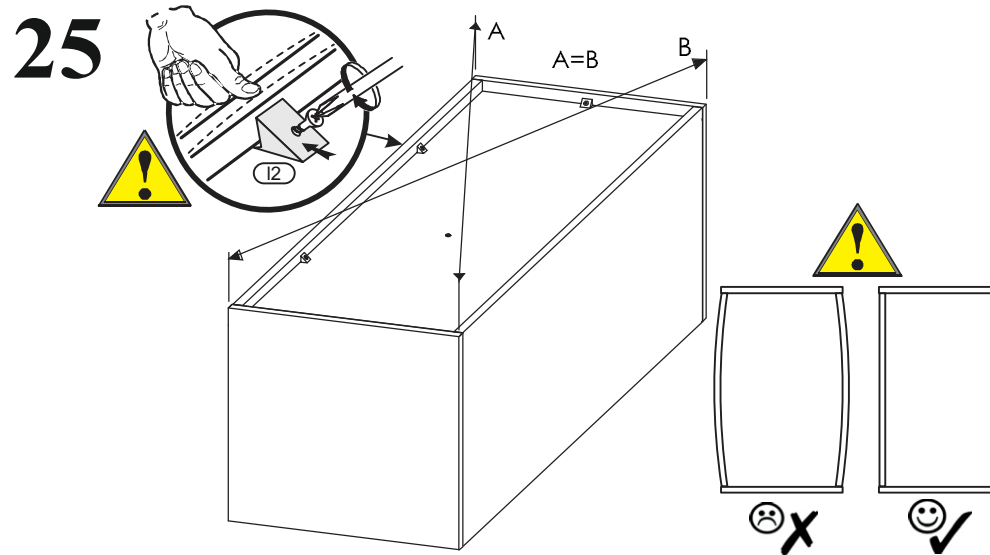
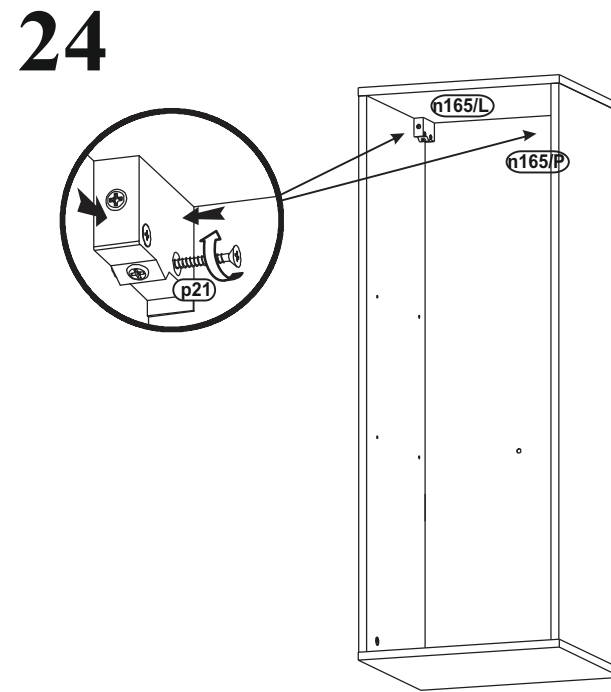
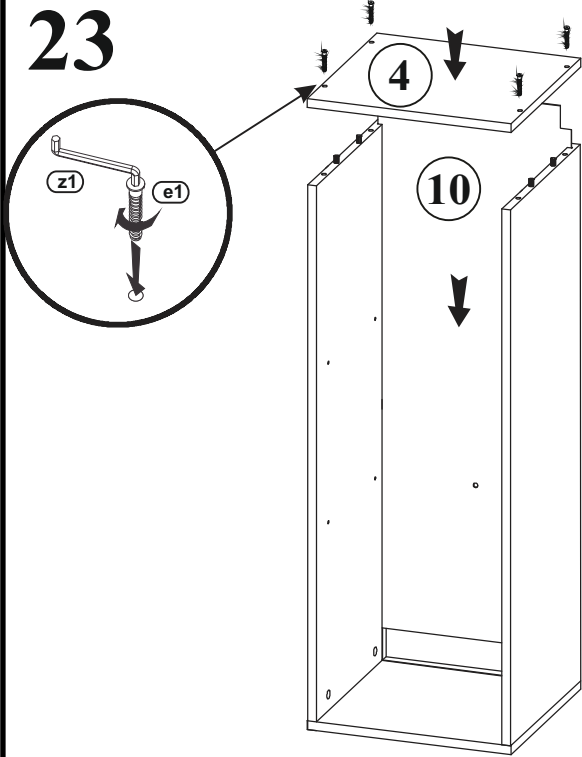
6-7

21

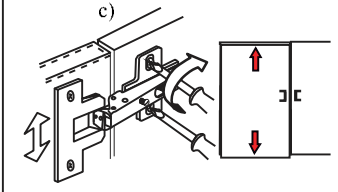
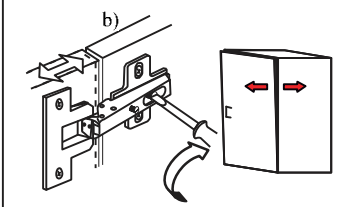
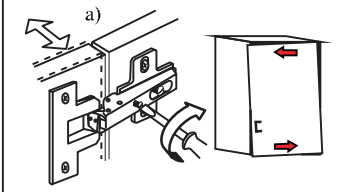
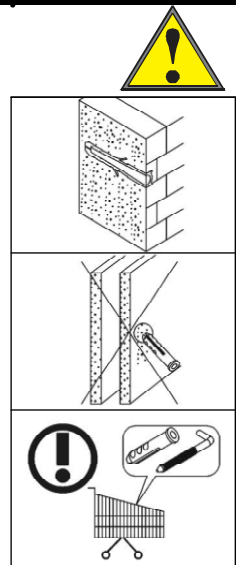
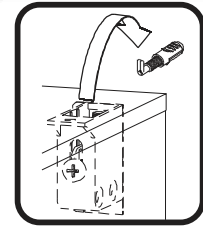
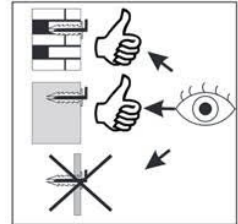
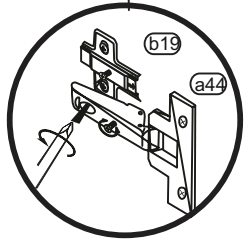
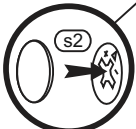
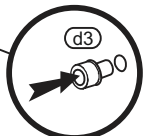
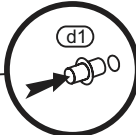
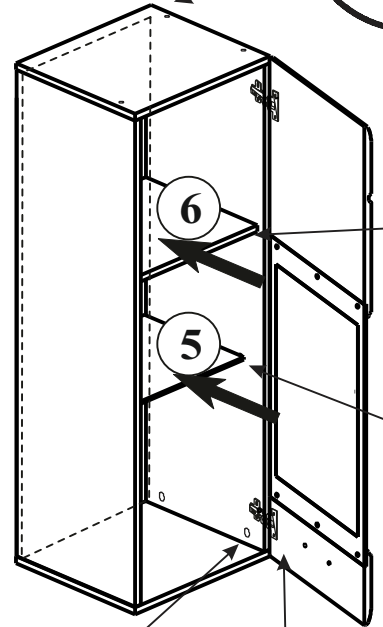
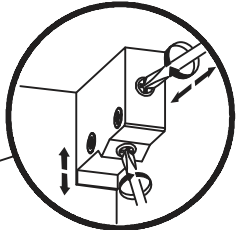
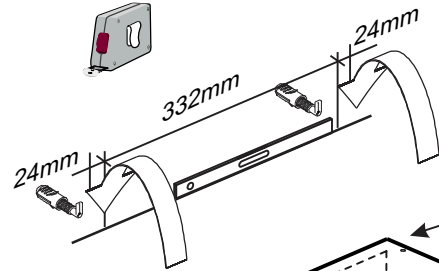
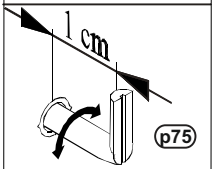
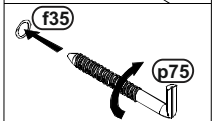
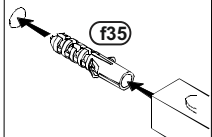
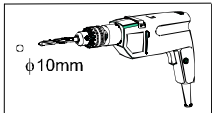


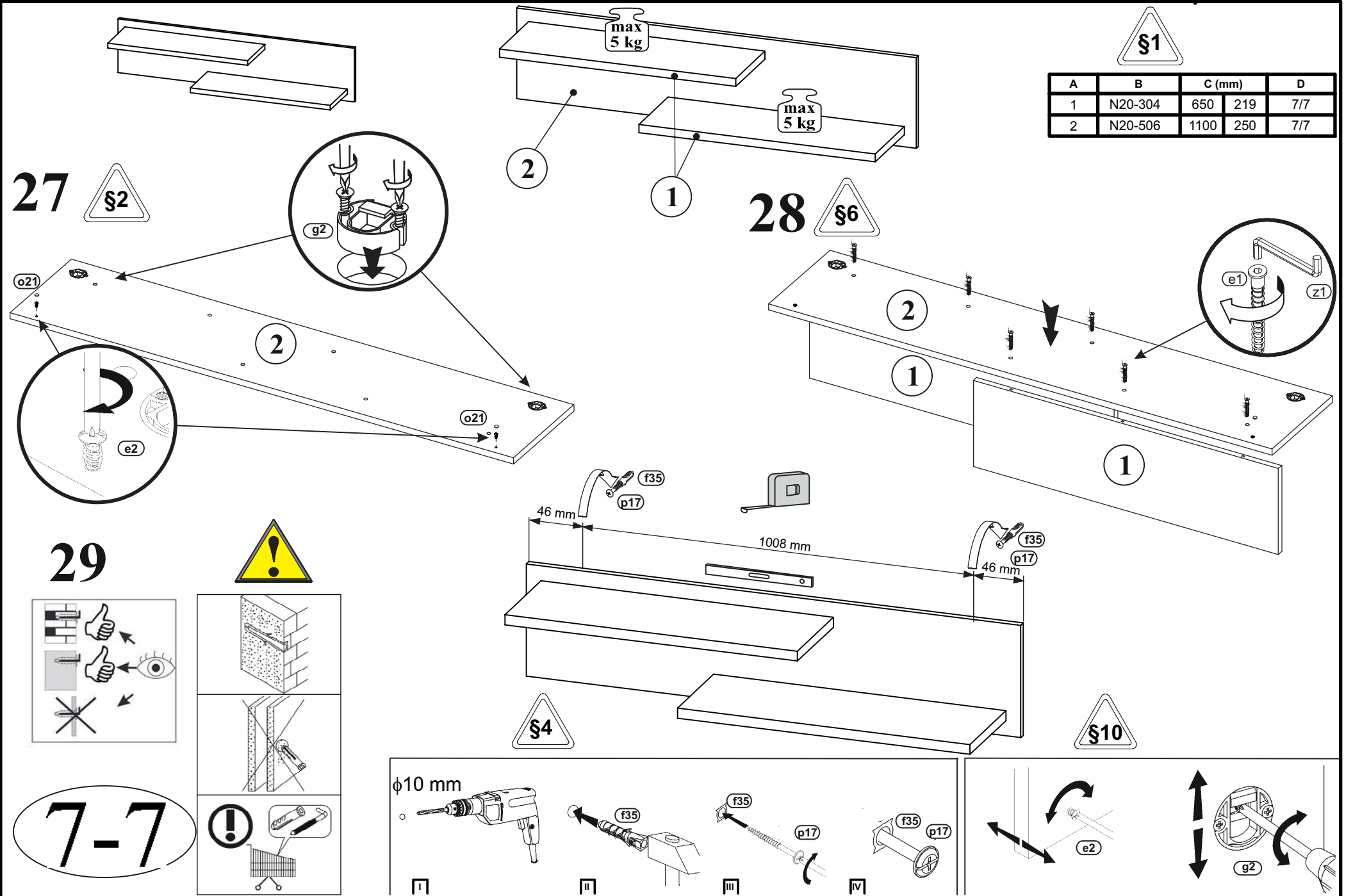
22





26



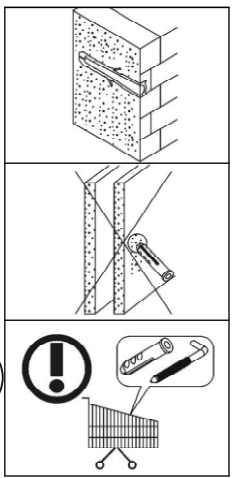
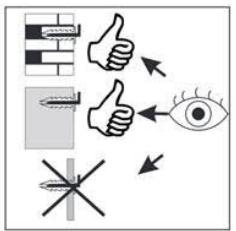


A	B	C (mm)		D
1	N20-304	650	219	717
2	N20-506	1100	250	717

27 §2

28 §6

29



7-7

