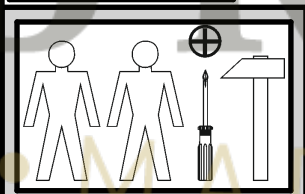
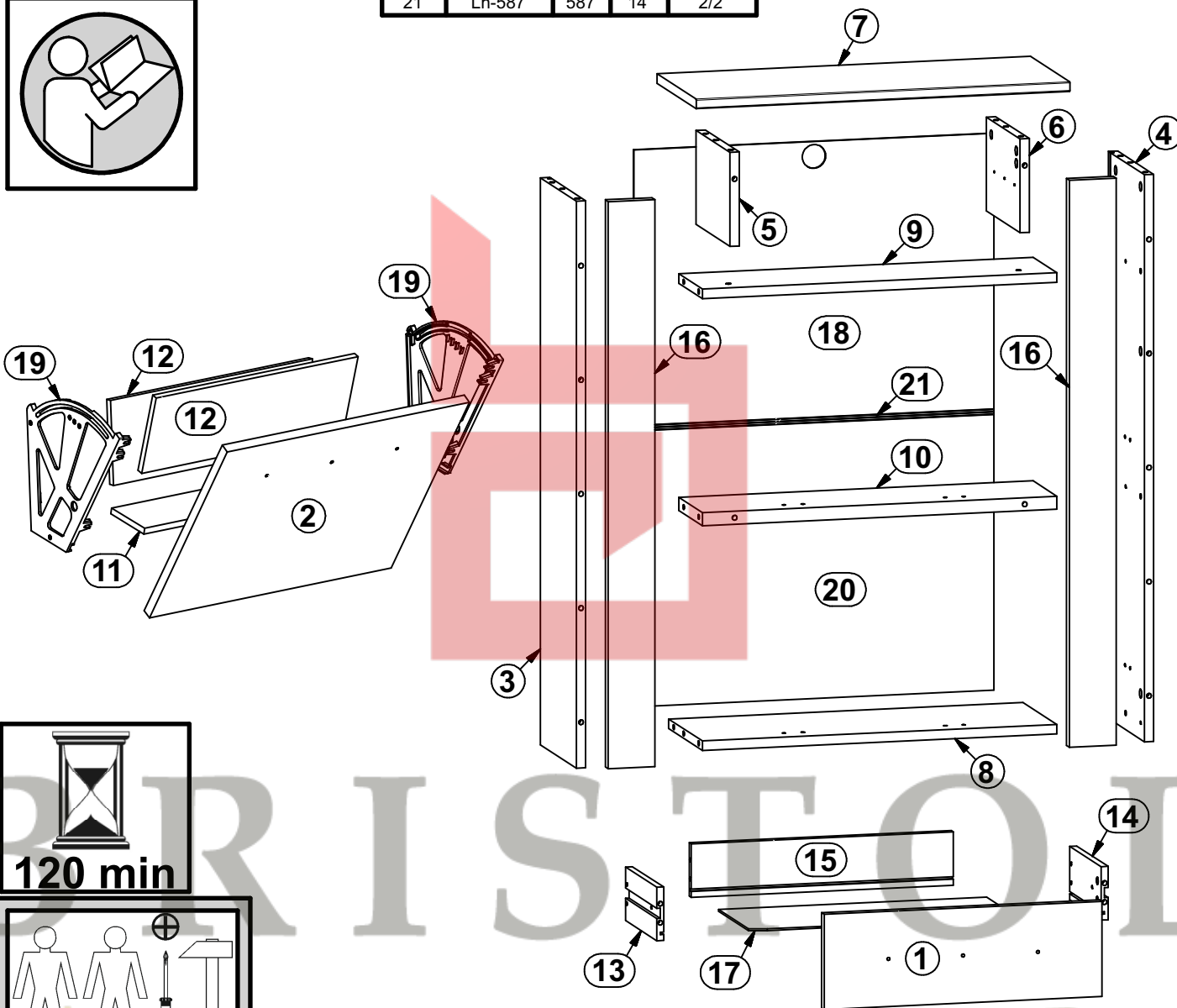
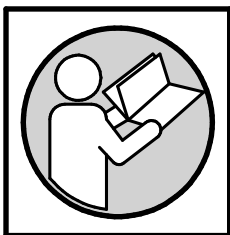
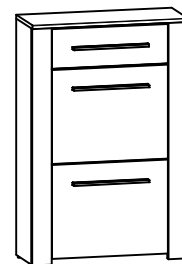


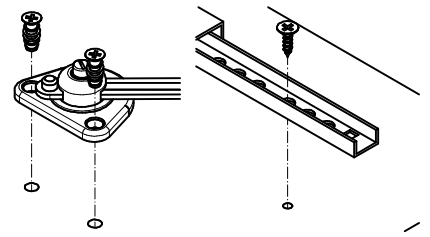
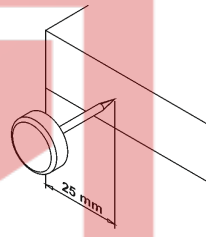
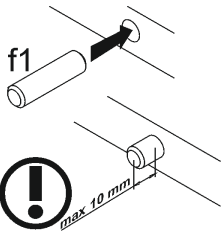
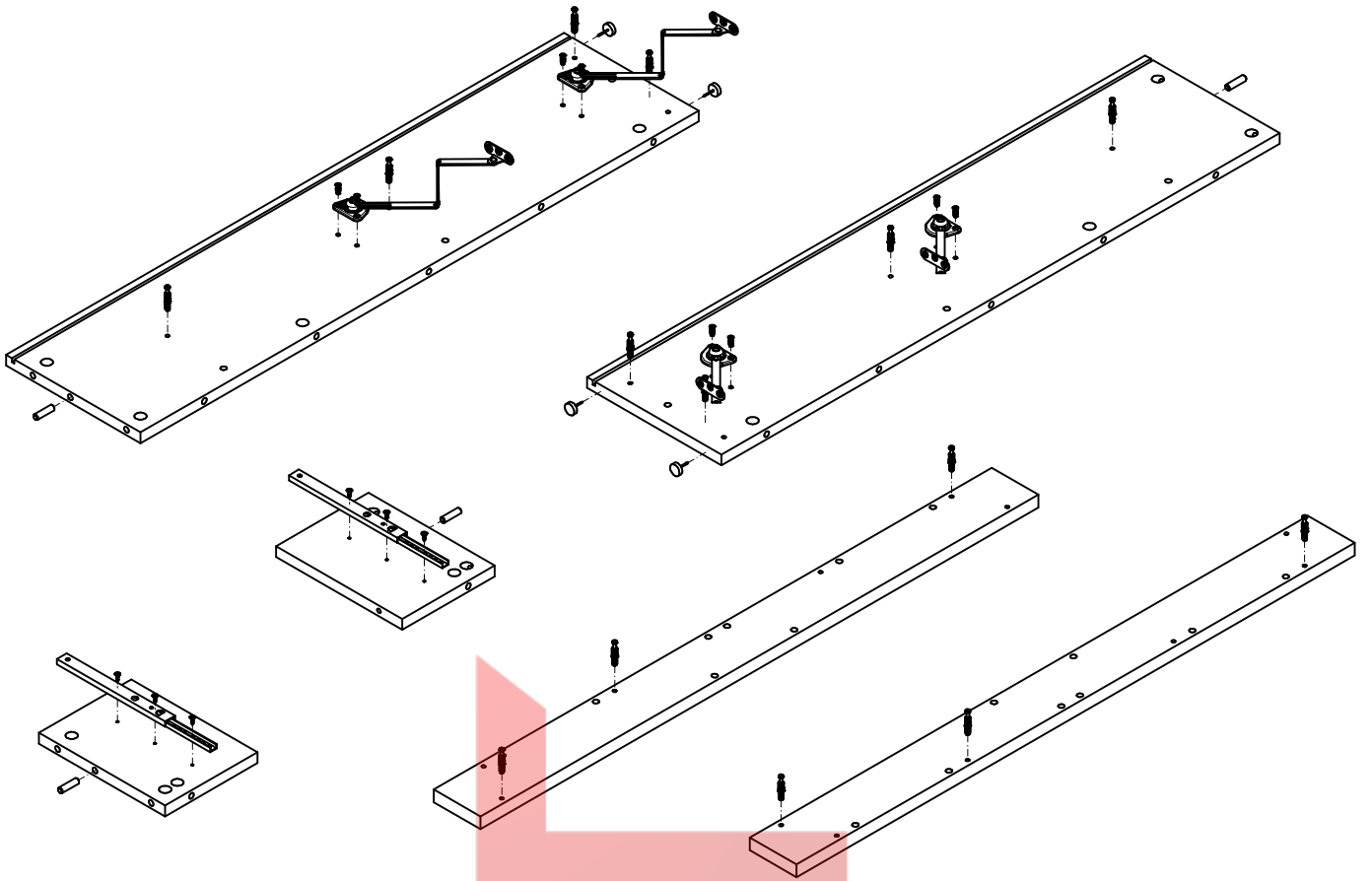
RAFLO

M108-KOM2K1S/11/6

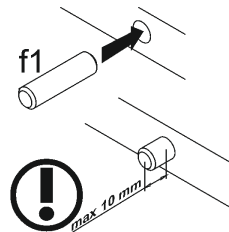
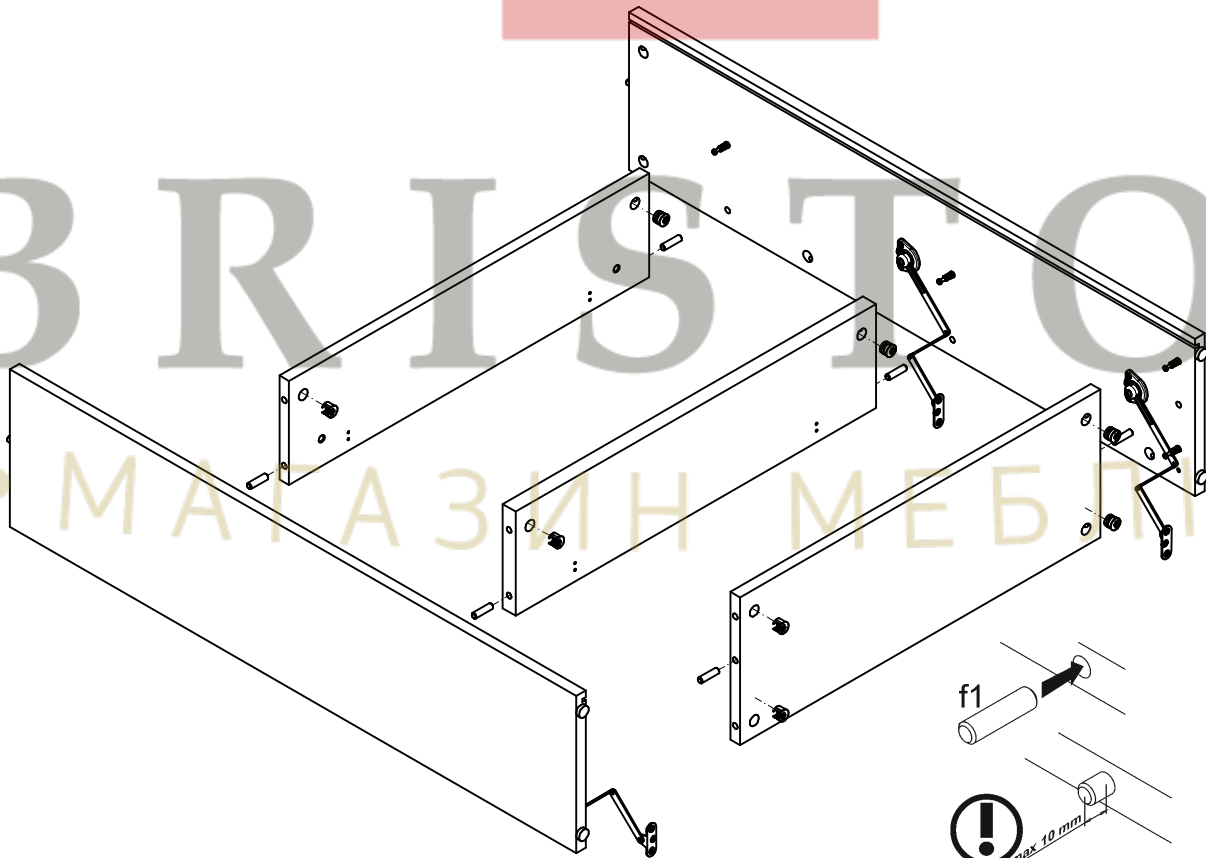
A	B	C	D	A	B	C	D		
1	M108-002	476	160	2/2	11	M108-451	397	88	1/2
2	M108-003	476	380	2/2	12	M108-452	397	138	1/2
3	M108-103	954	230	1/2	13	M108-501	200	90	1/2
4	M108-104	954	230	1/2	14	M108-502	200	90	1/2
5	M108-105	158	216	1/2	15	M108-503	449	90	1/2
6	M108-106	158	216	1/2	16	M108-554	954	80	1/2
7	M108-202	640	252	1/2	17	M108-901	459	198	1/2
8	M108-304	607	216	1/2	18	M108-952	617	468	2/2
9	M108-404	607	152	1/2	19	qa68			1/2
10	M108-406	607	152	1/2	20	M108-953	617	468	2/2
					21	Lh-587	587	14	2/2



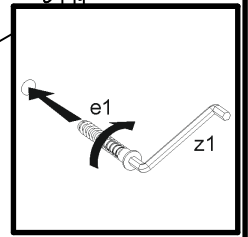
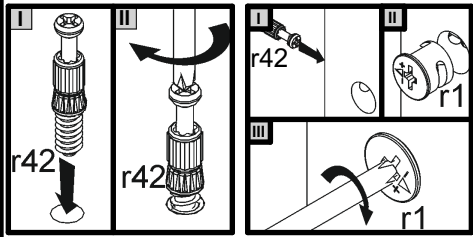
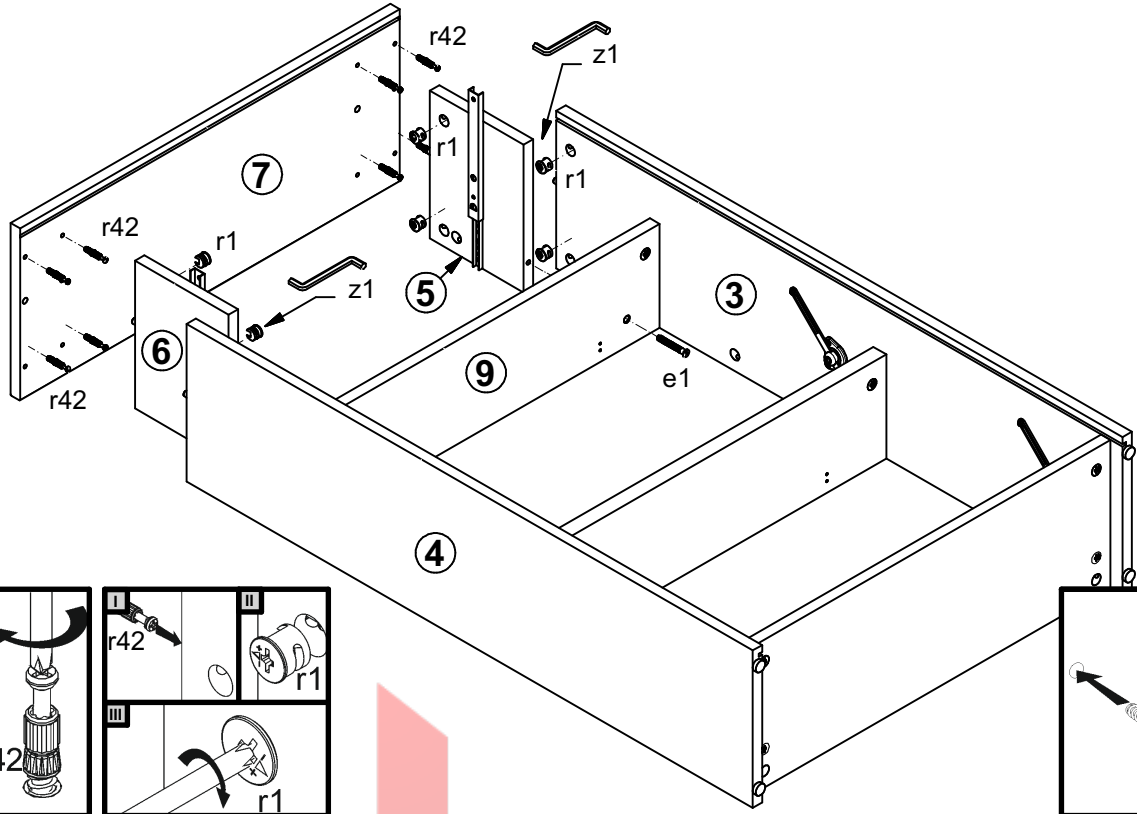
4x a2	4x b1	3x c253/4	2x e1 φ7x50 mm	8x e3 φ6x13 mm	18x f1 φ8x30 mm	4x f25 φ6,5x40 mm	1x f35 φ10x50 mm	2x j2 M4x9 mm
4x k1	10x l1	8x l2	2x m30L	2x m30P	4x m32	4x m34	4x m43	1x n14 81x21x51,5mm
2x o21 silikon	26x p1 φ3,5x13 mm	12x p15 φ2,5x13 mm	1x p17 φ5x60 mm	2x p27 φ3,5x13 mm	12x p38 φ3,5x16 mm	9x p9 φ4x30 mm	22x r1 φ1,5x12mm #16	4x r15 φ12x10,5mm #12
26x r42	2x s2 ø16	2x w1 185 mm	1x z1					



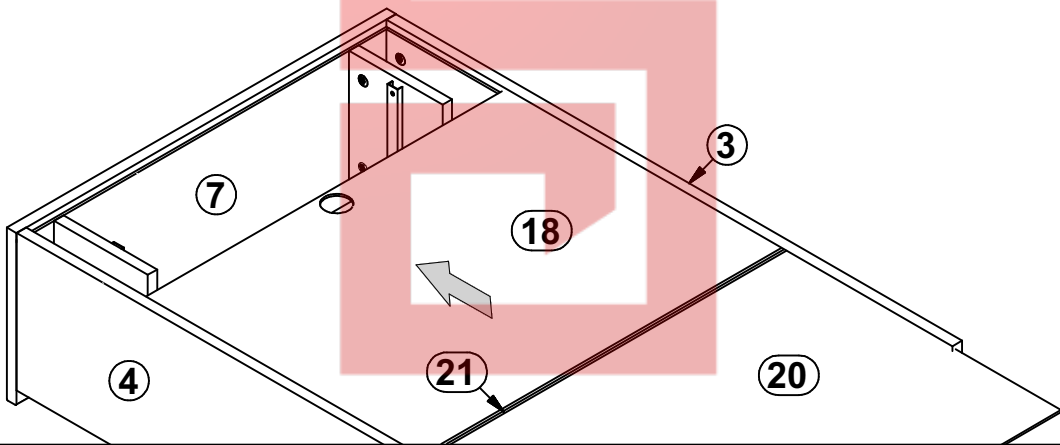
BRISTOL
МАГАЗИН МЕБЕЛ



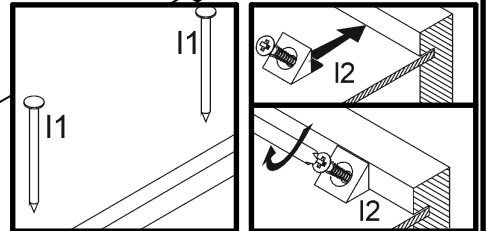
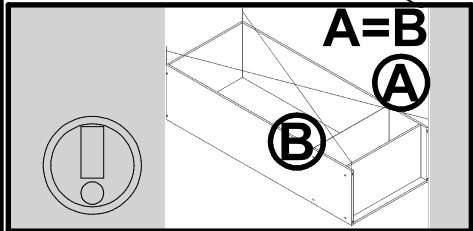
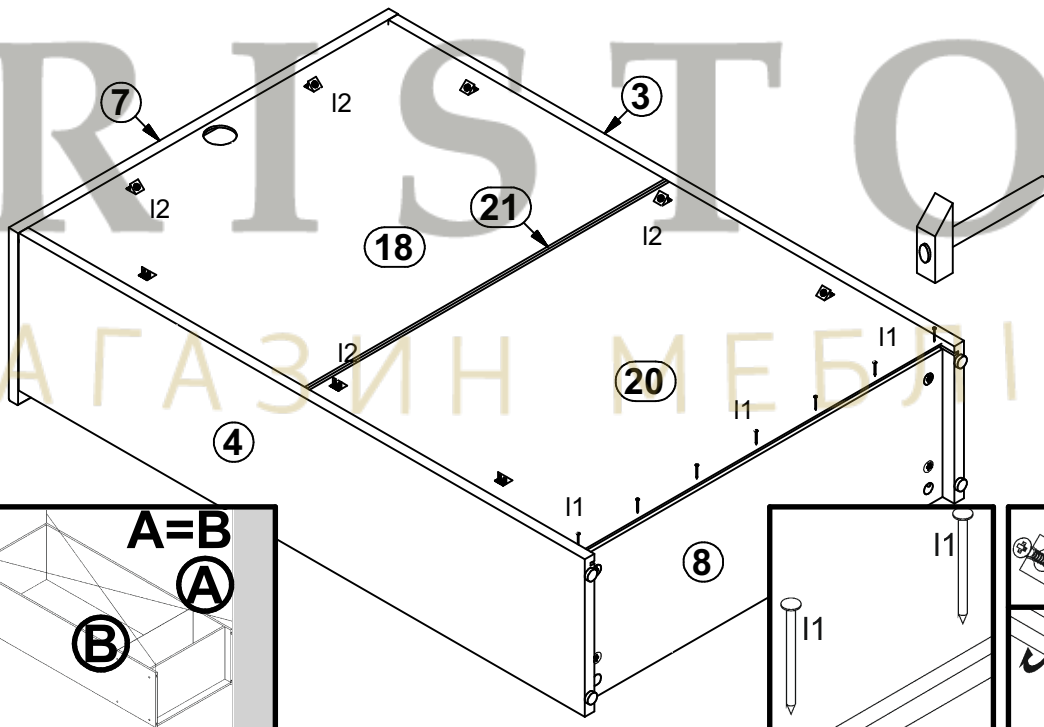
3



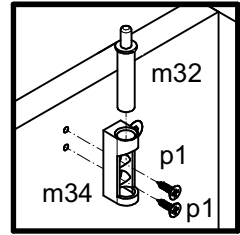
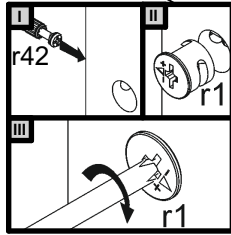
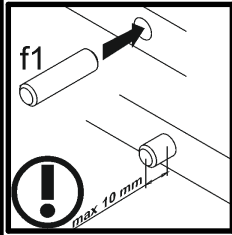
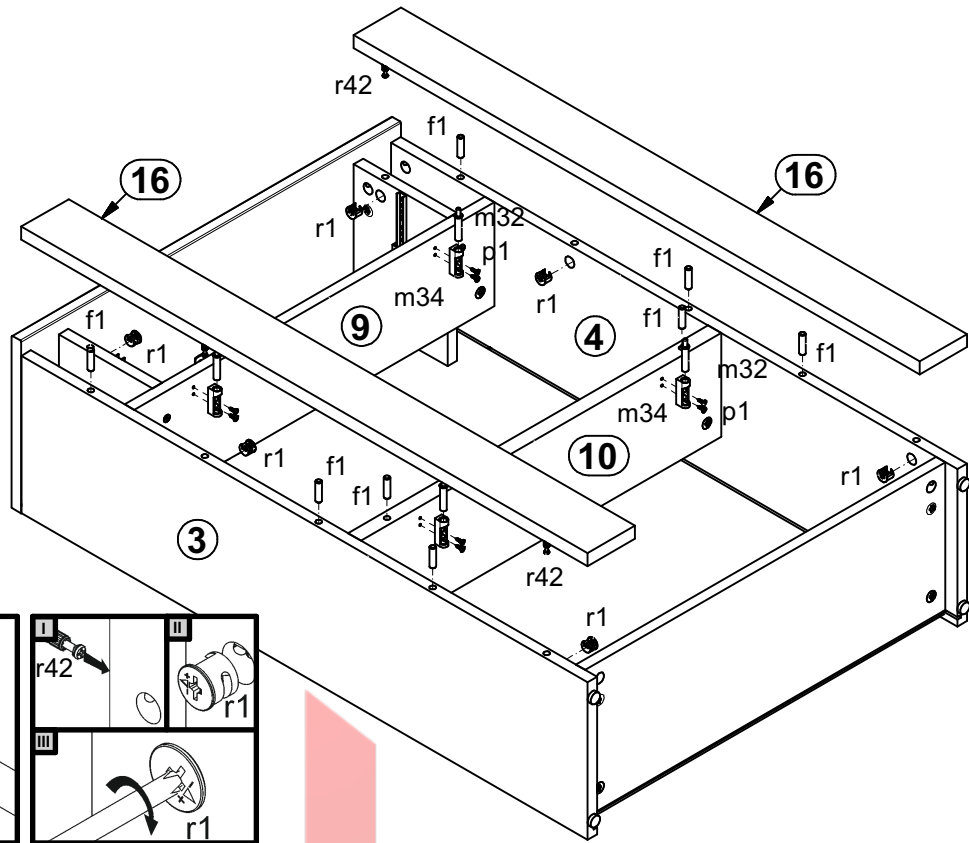
4



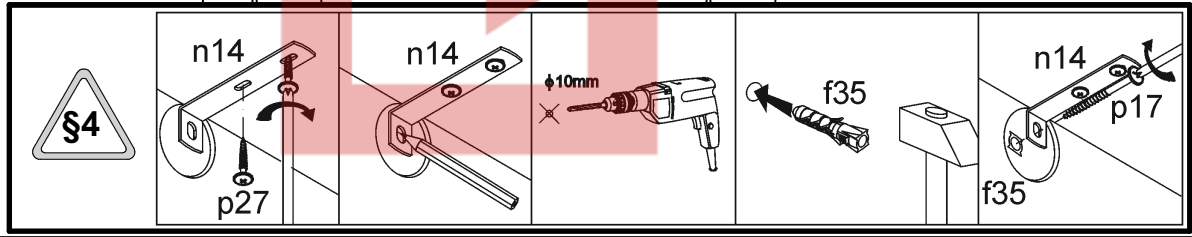
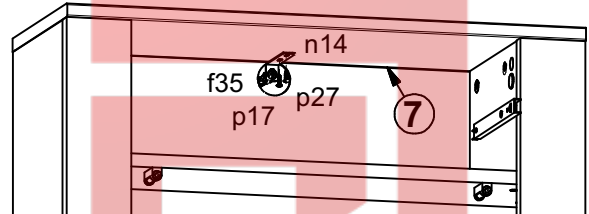
5



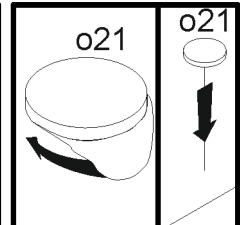
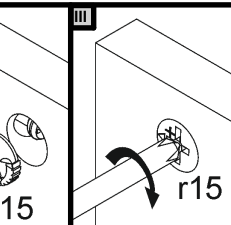
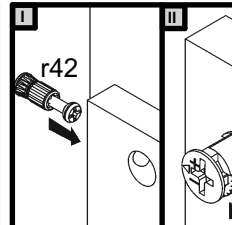
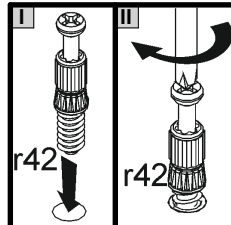
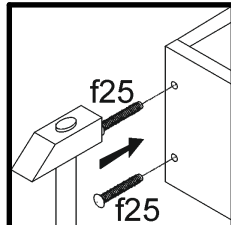
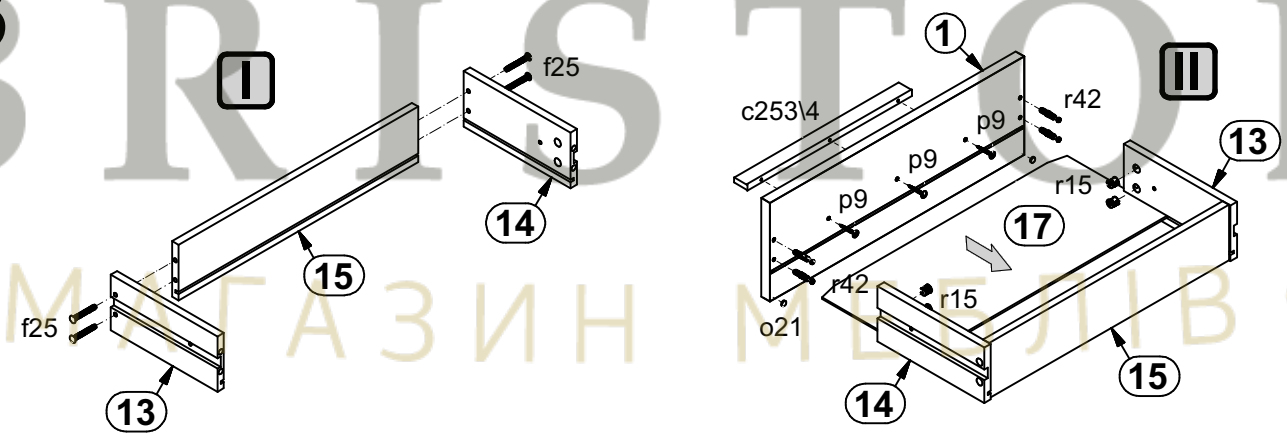
6



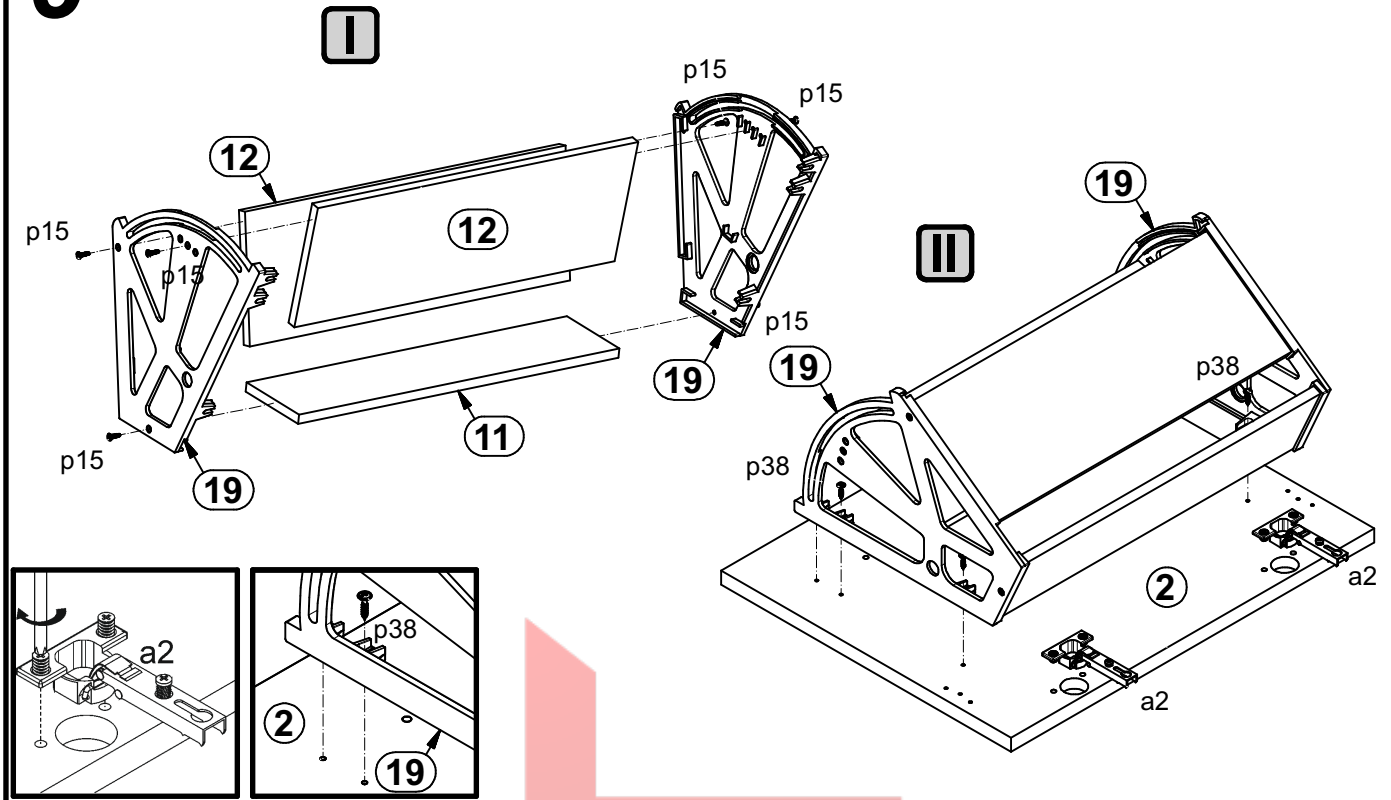
7



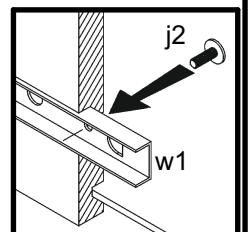
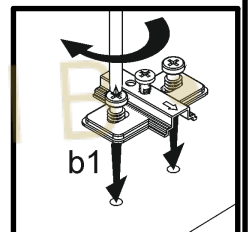
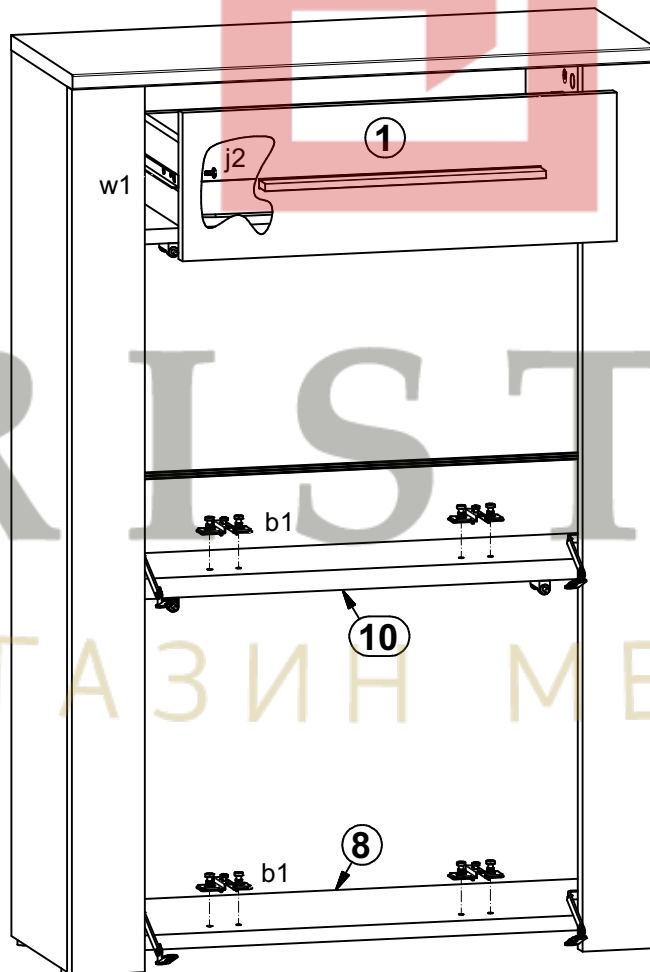
8



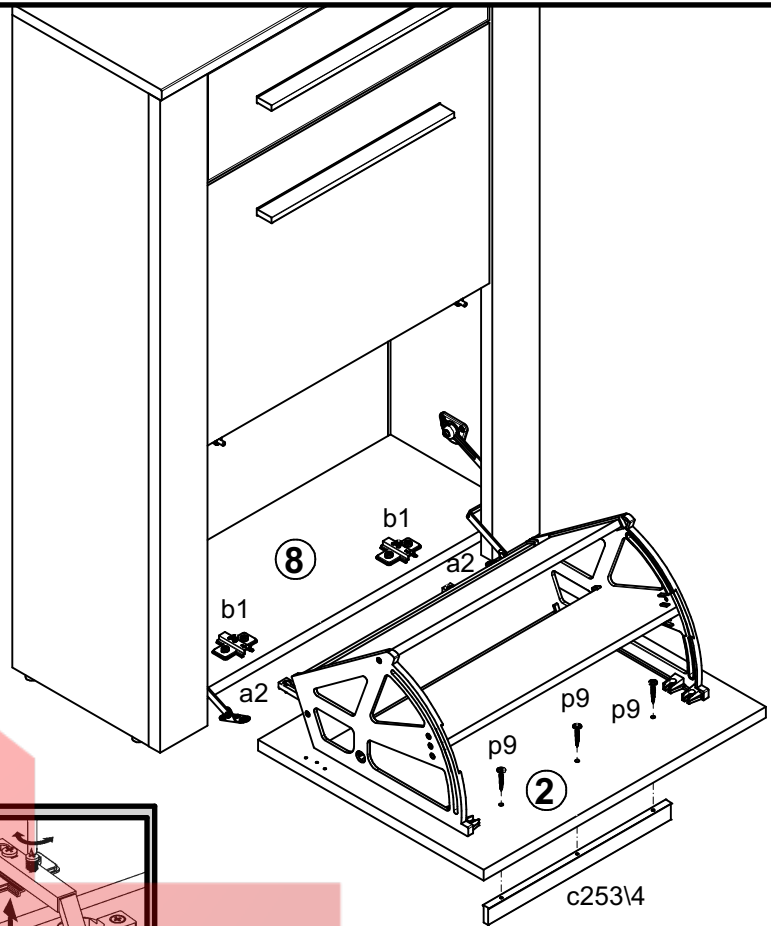
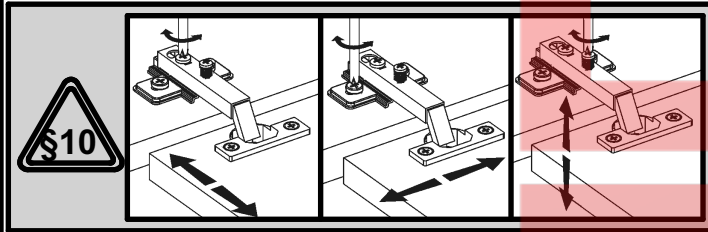
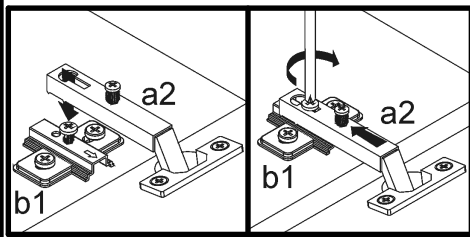
9



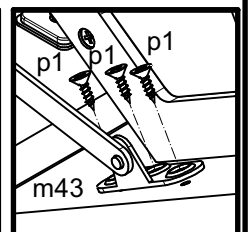
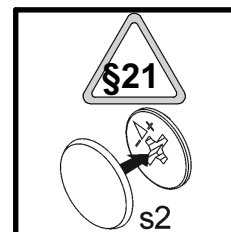
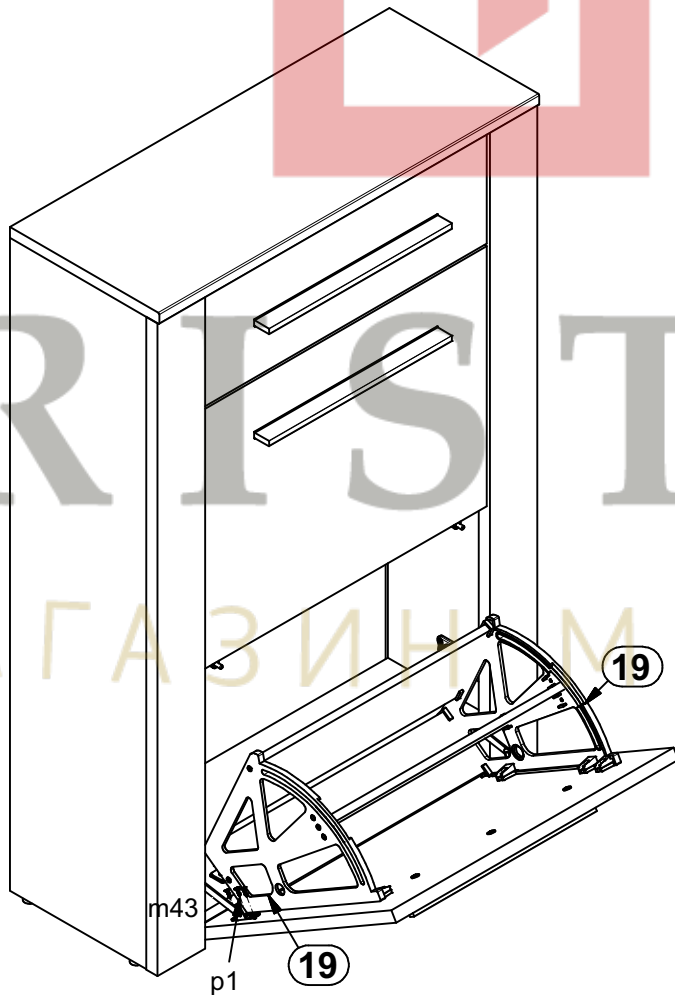
10



10



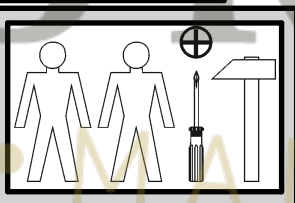
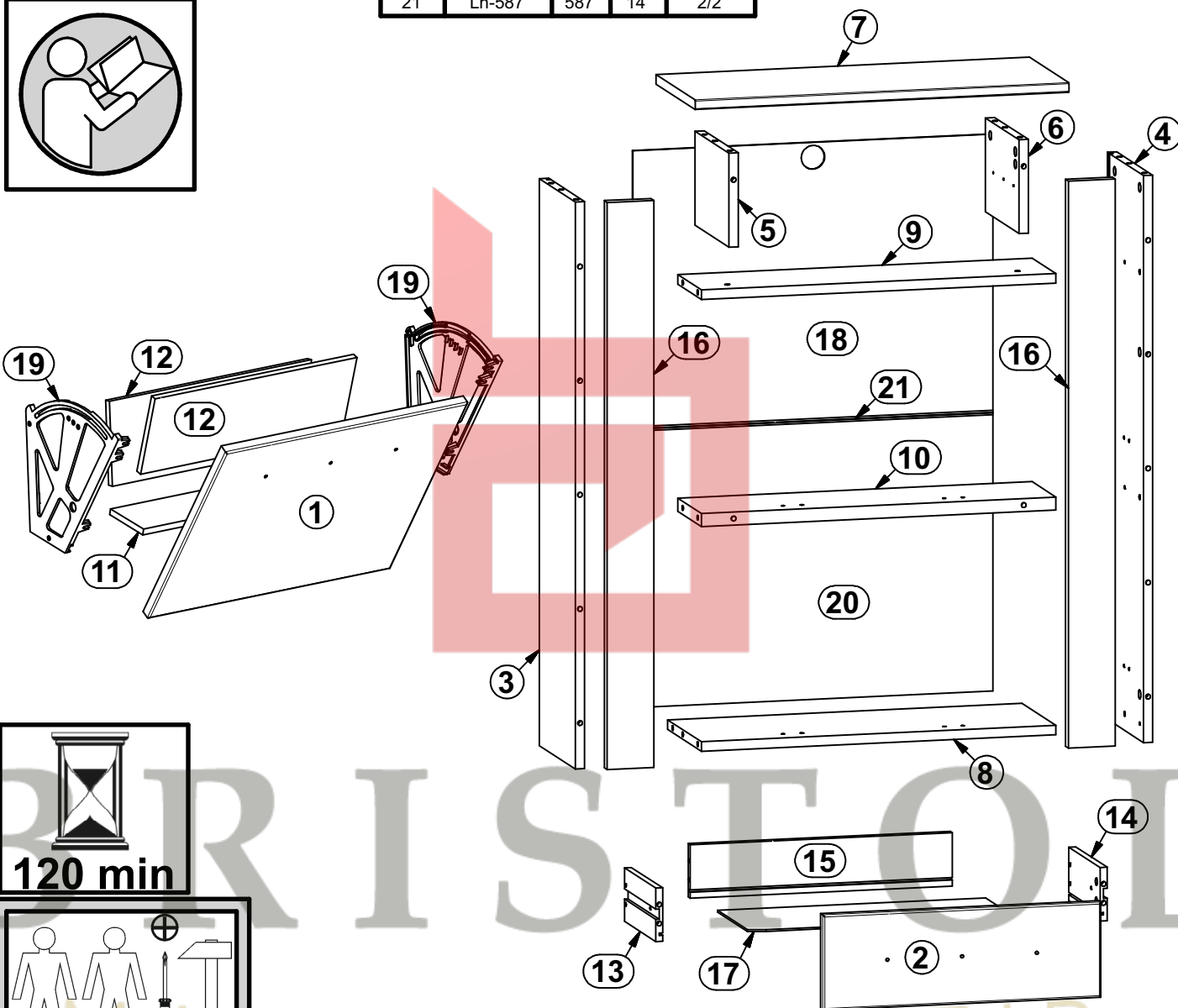
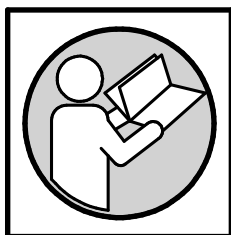
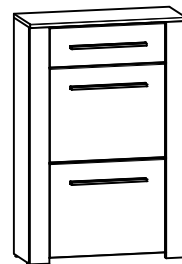
11



RAFLO

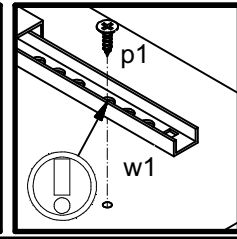
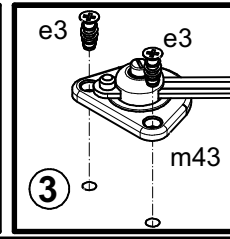
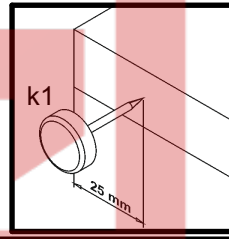
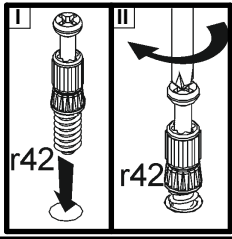
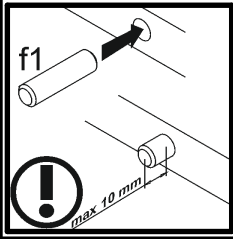
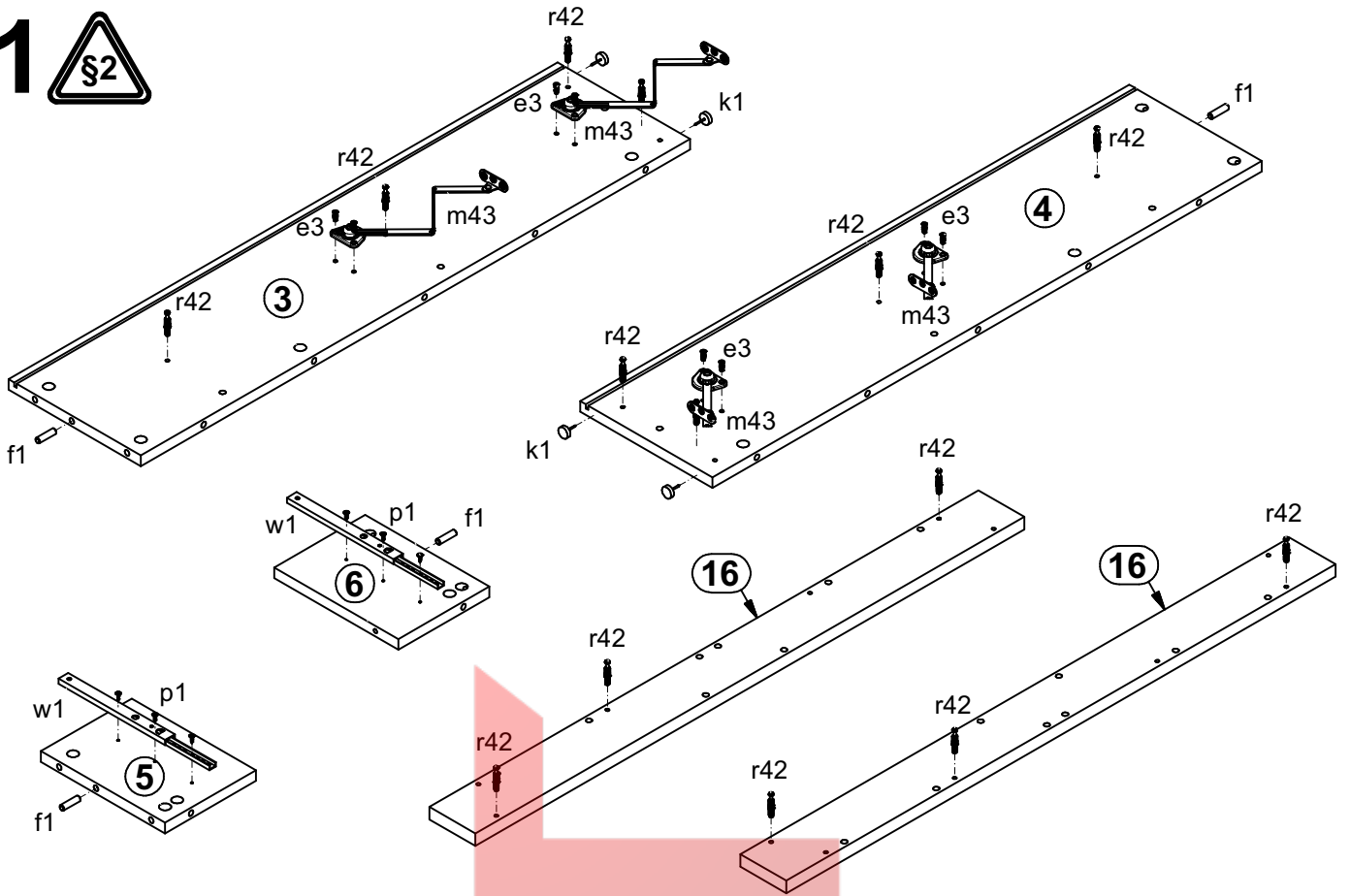
M108-KOM2K1S/11/6-FR2

A	B	C		D	A	B	C		D
1	M108-004	476	380	2/2	11	M108-451	397	88	1/2
2	M108-005	476	160	2/2	12	M108-452	397	138	1/2
3	M108-103	954	230	1/2	13	M108-501	200	90	1/2
4	M108-104	954	230	1/2	14	M108-502	200	90	1/2
5	M108-105	158	216	1/2	15	M108-503	449	90	1/2
6	M108-106	158	216	1/2	16	M108-554	954	80	1/2
7	M108-202	640	252	1/2	17	M108-901	459	198	1/2
8	M108-304	607	216	1/2	18	M108-952	617	468	2/2
9	M108-404	607	152	1/2	19	qa68			1/2
10	M108-406	607	152	1/2	20	M108-953	617	468	2/2
					21	Lh-587	587	14	2/2

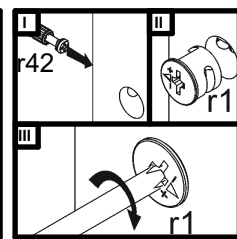
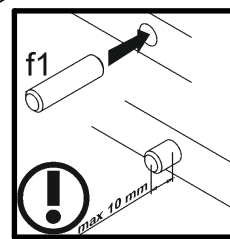
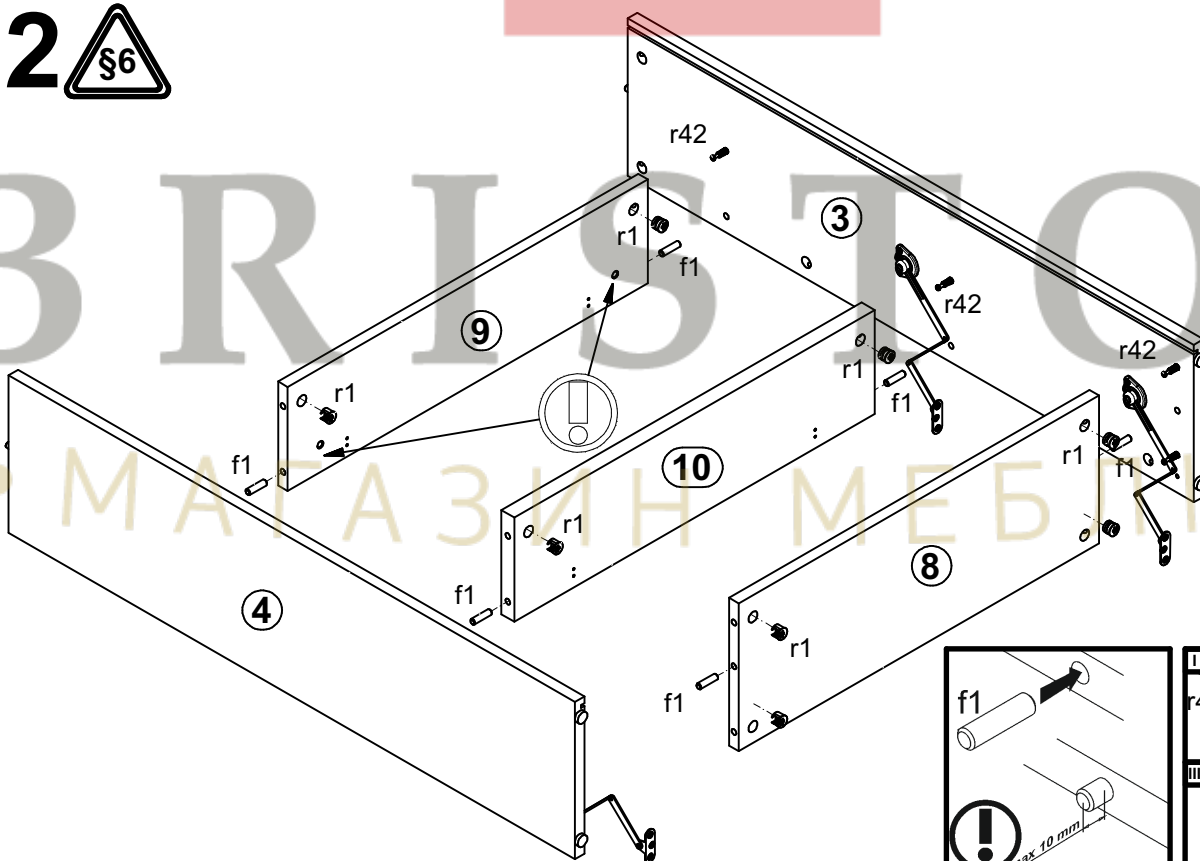


4x a2	4x b1	3x c25314	2x e1 φ7x50 mm	8x e3 φ6x13 mm	18x f1 φ8x30 mm	4x f25 φ6.5x40 mm	1x f35 φ10x50 mm	2x j2 M4x9 mm
4x k1	10x l1	8x l2	2x m30L	2x m30P	4x m32	4x m34	4x m43	1x n14 81x21x151.5mm
2x o21 silikon	26x p1 φ3.5x13 mm	12x p15 φ2.5x13 mm	1x p17 φ5x60 mm	2x p27 φ3.5x13 mm	12x p38 φ3.5x16 mm	9x p9 φ4x30 mm	22x r1 φ1.5x12mm #16	4x r15 φ1.2x10.5mm #12
26x r42	2x s2 ø16	2x w1 185 mm	1x z1					

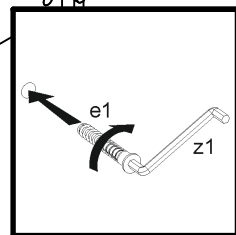
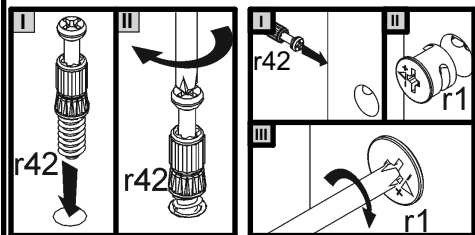
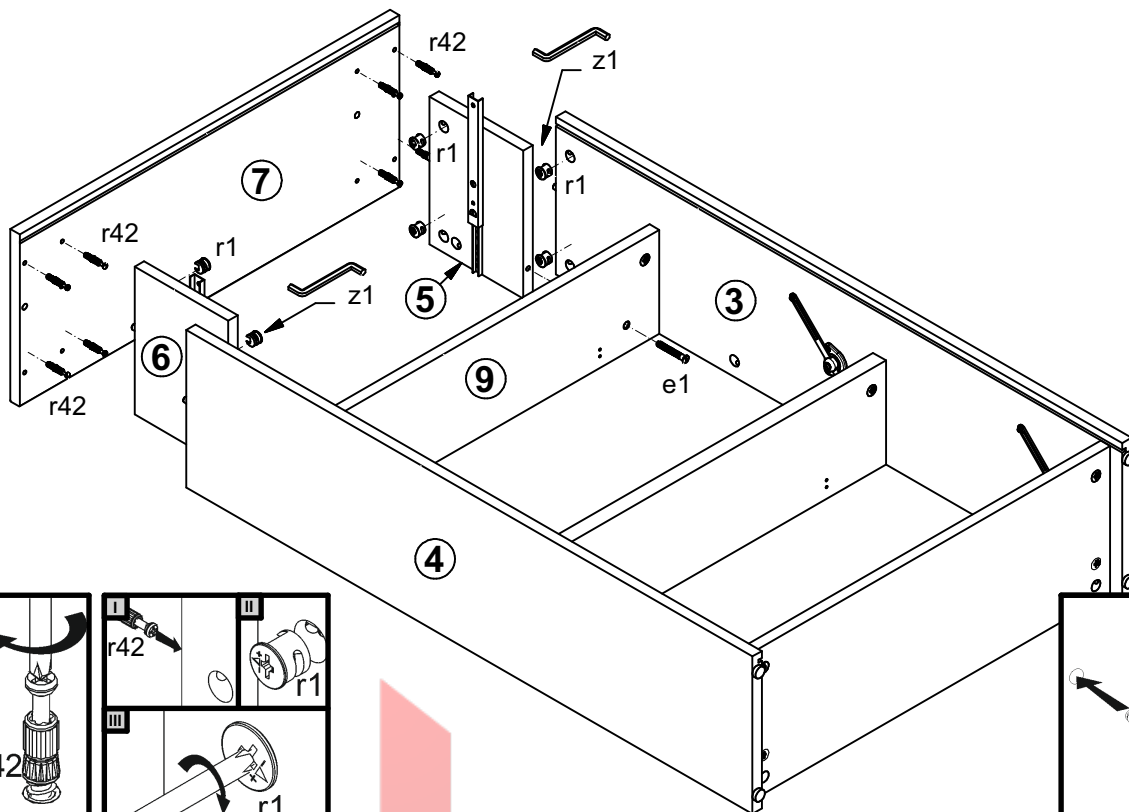
1



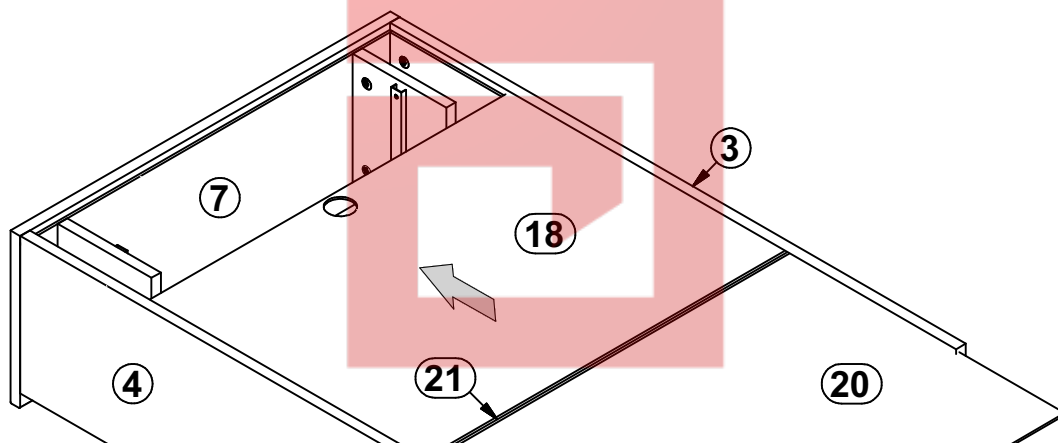
2



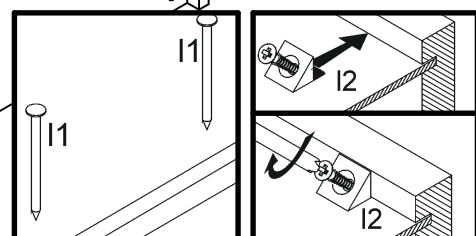
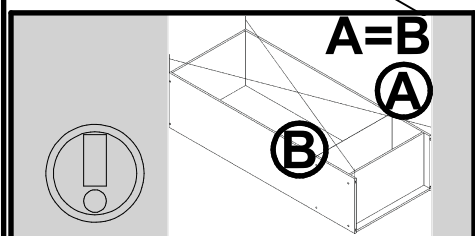
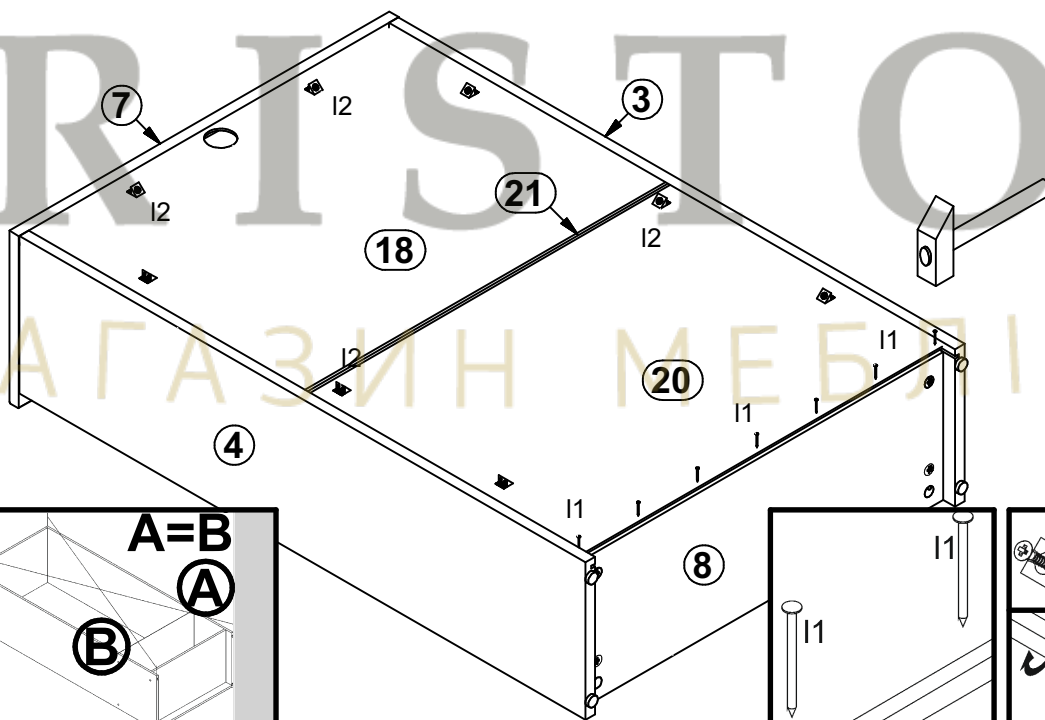
3



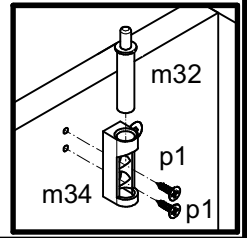
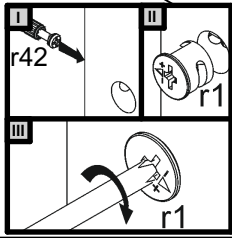
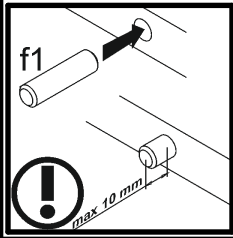
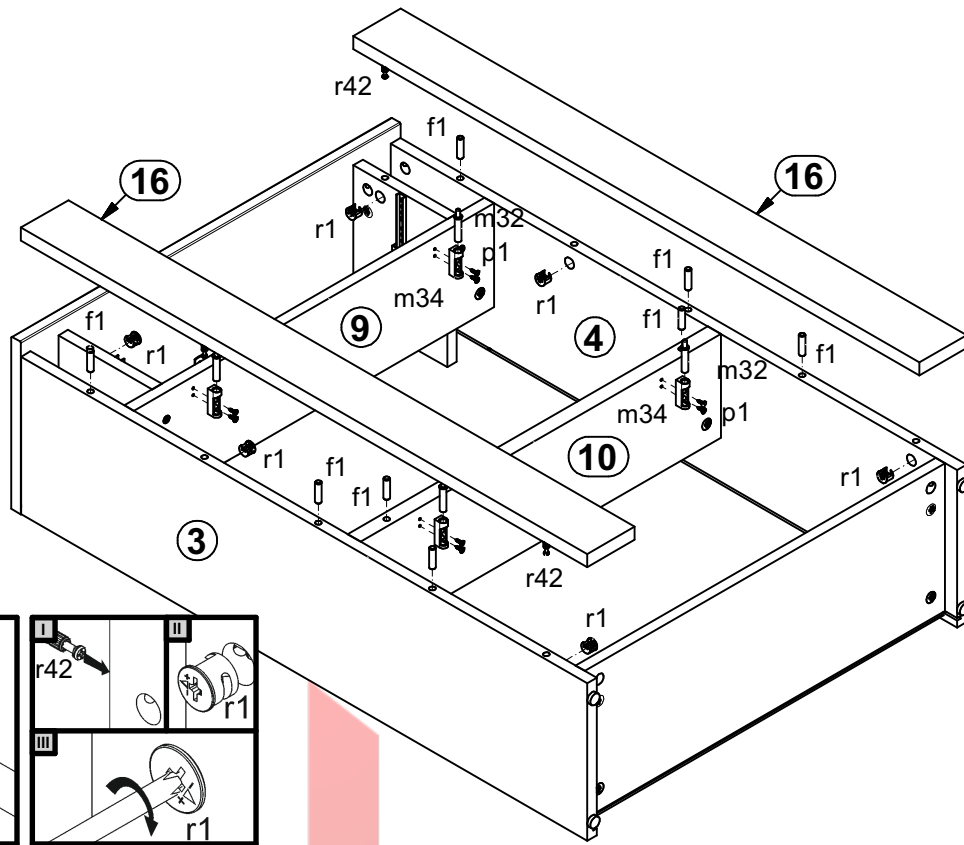
4



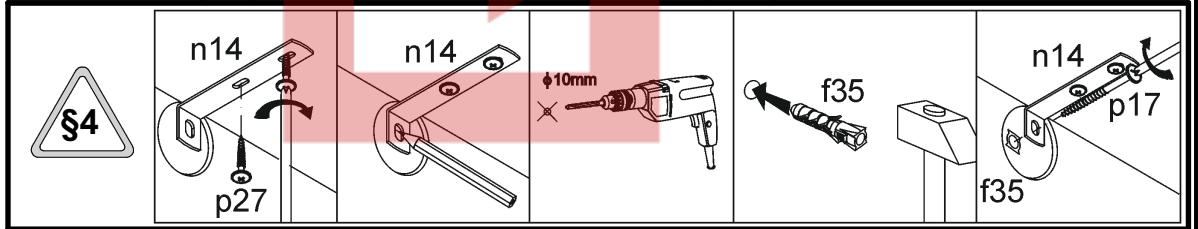
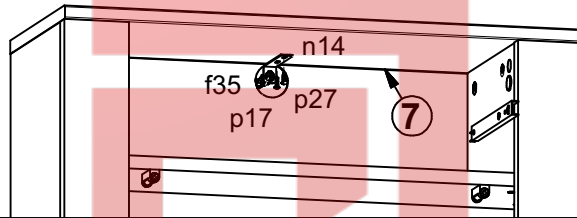
5



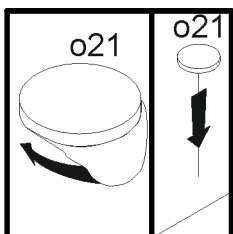
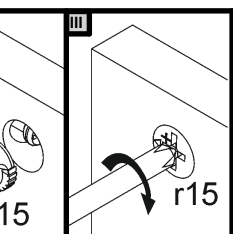
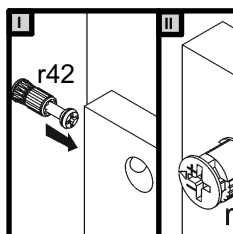
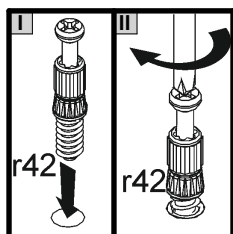
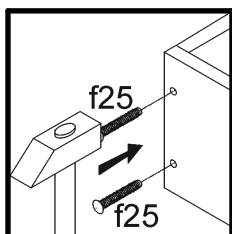
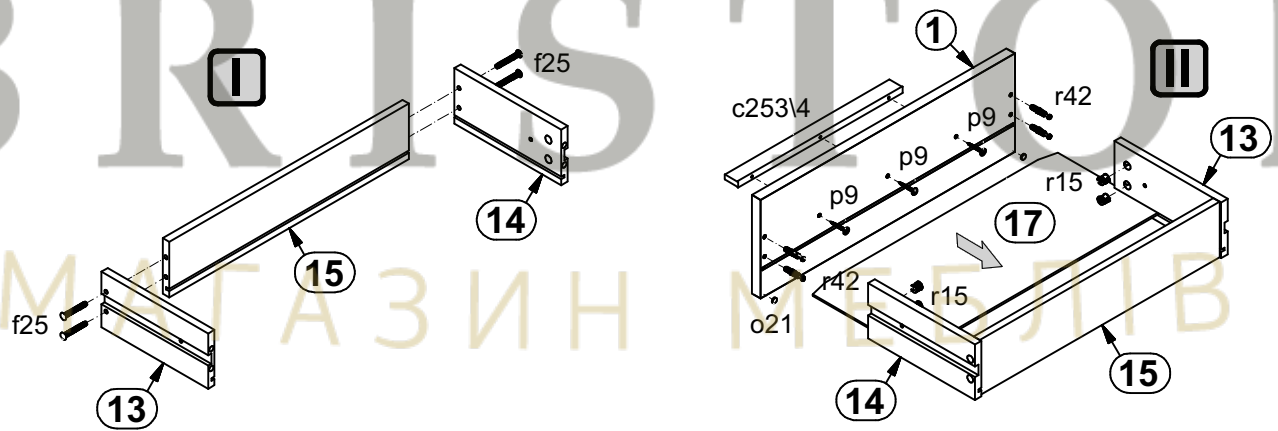
6



7

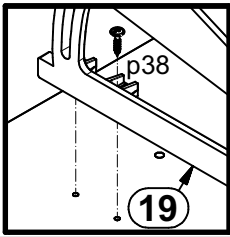
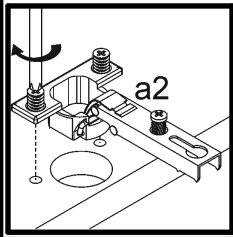
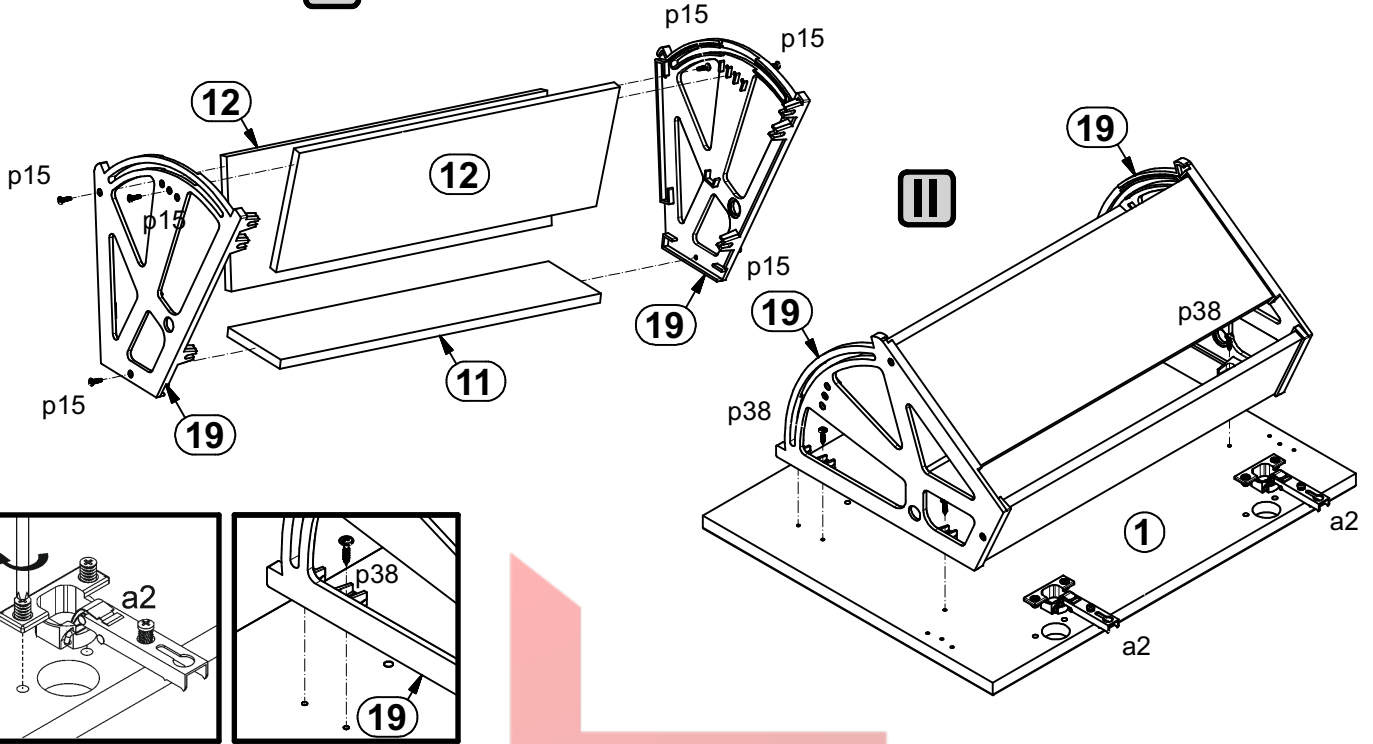


8

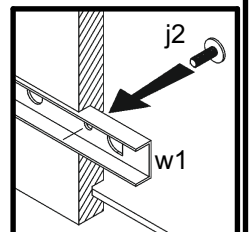
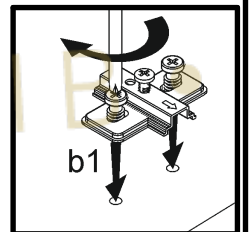
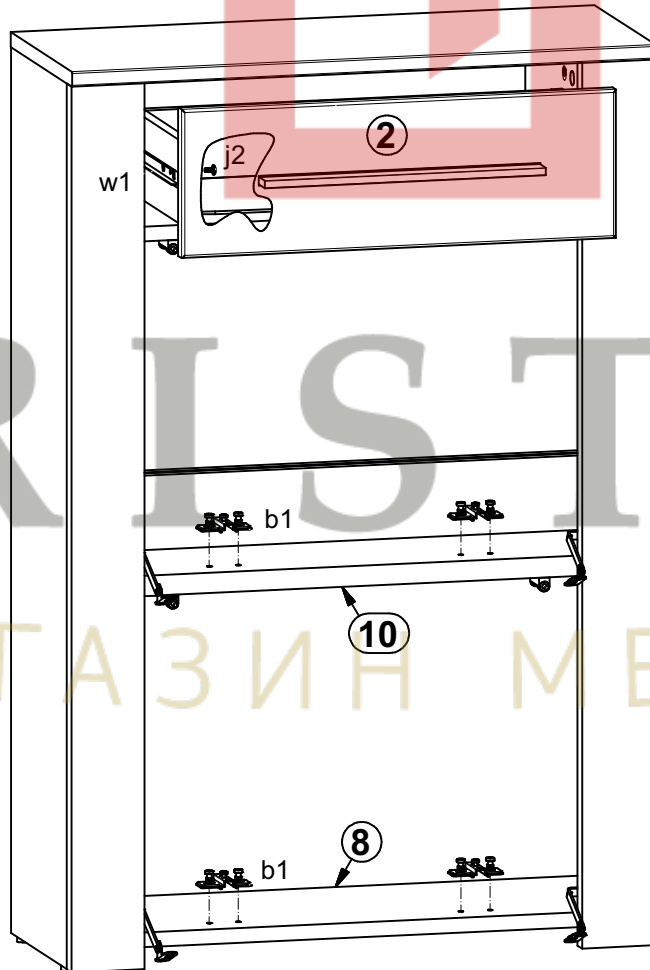


9

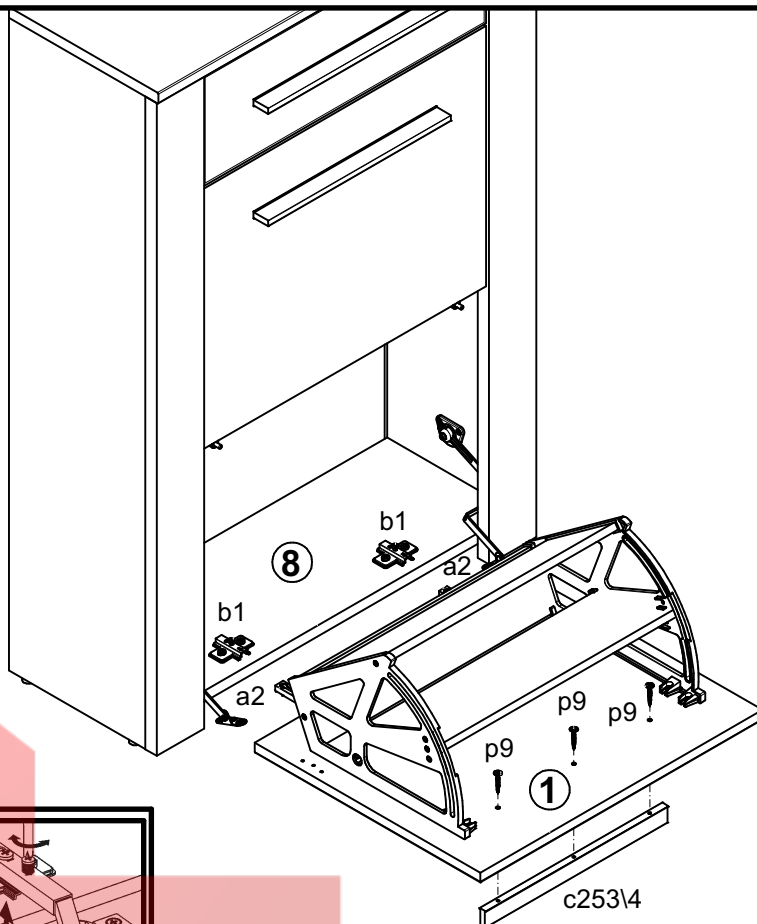
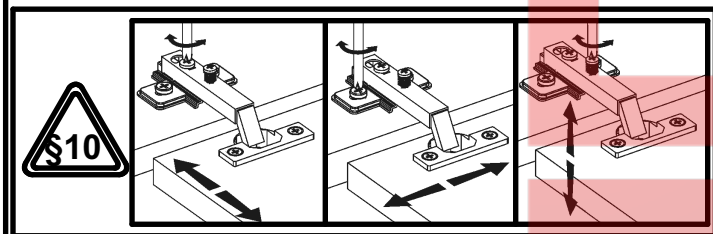
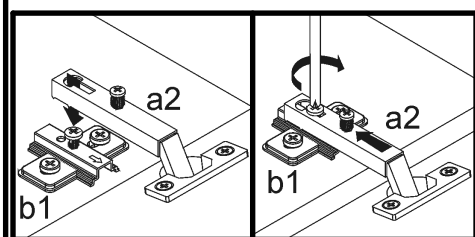
I



10



10



11

