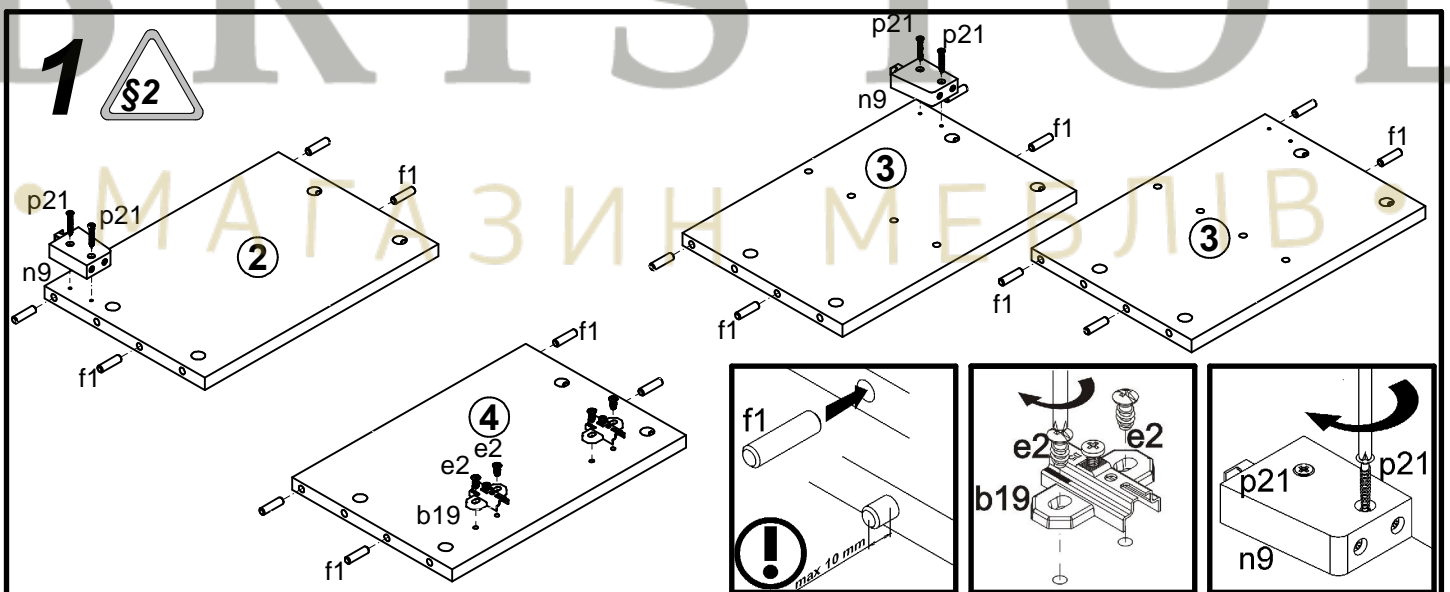
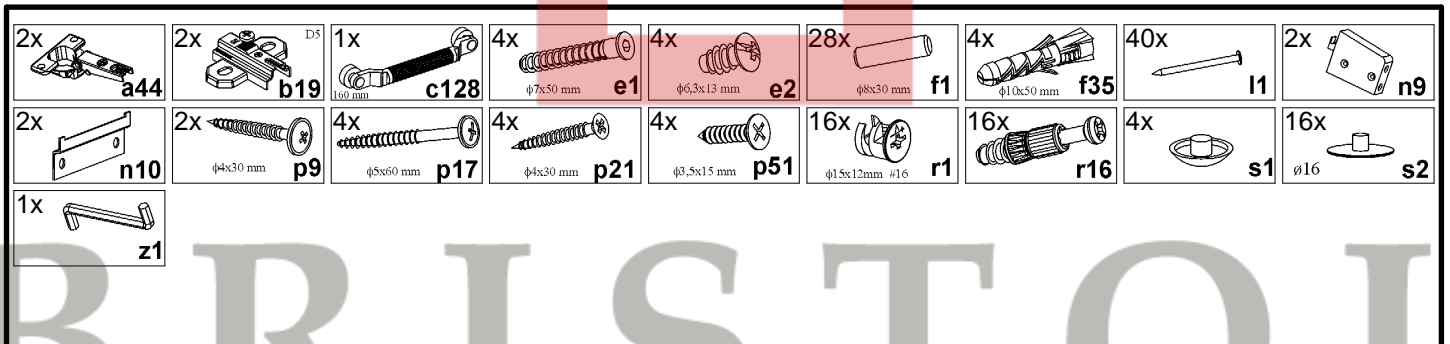
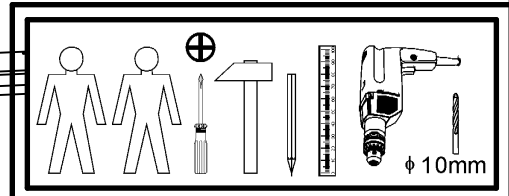
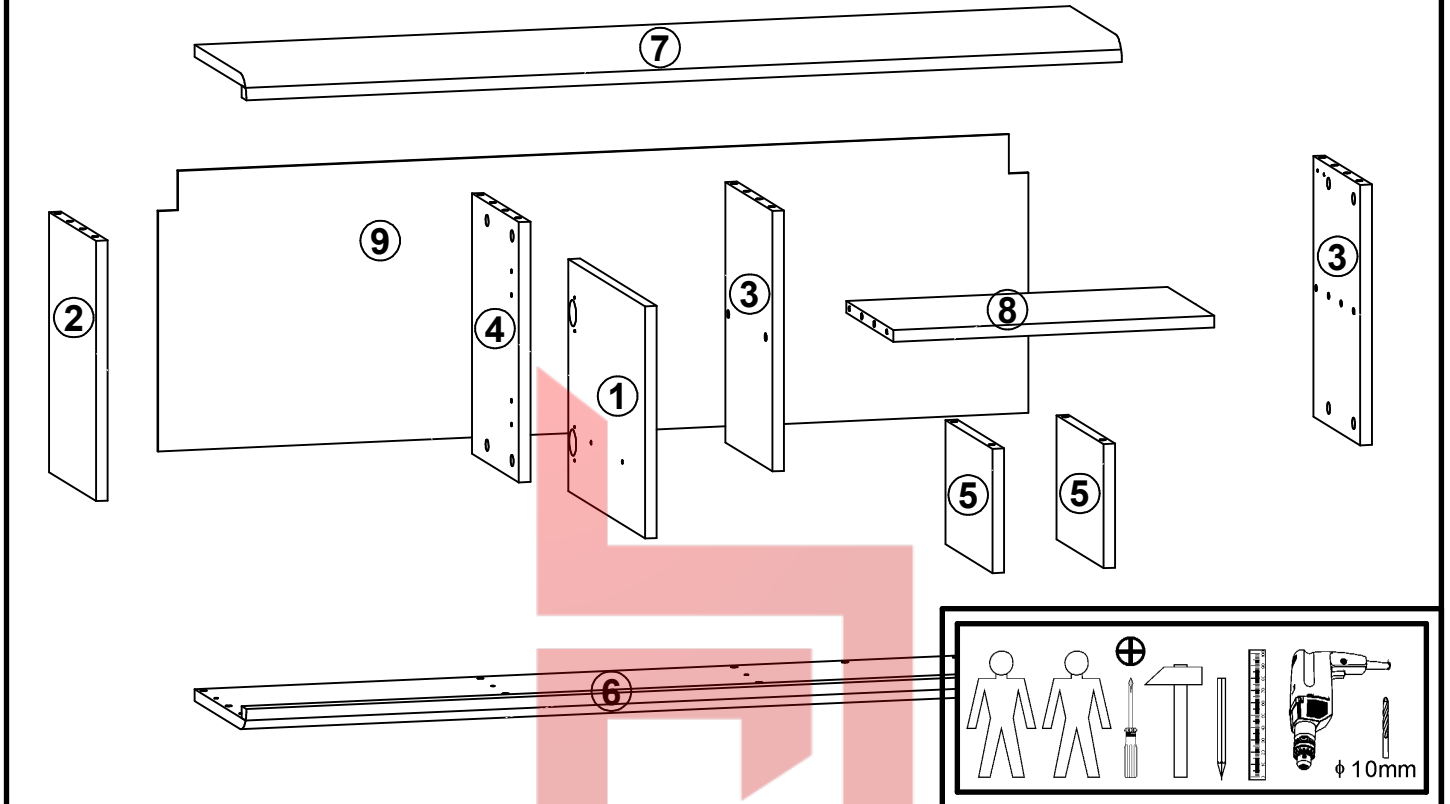
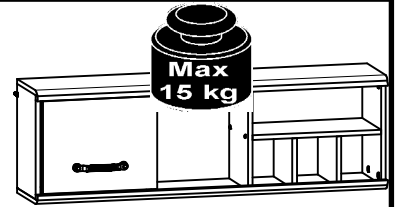


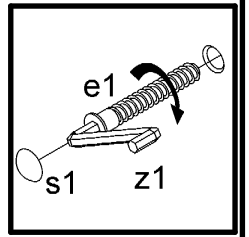
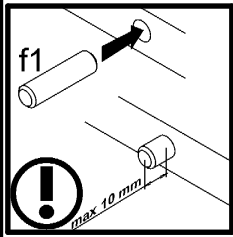
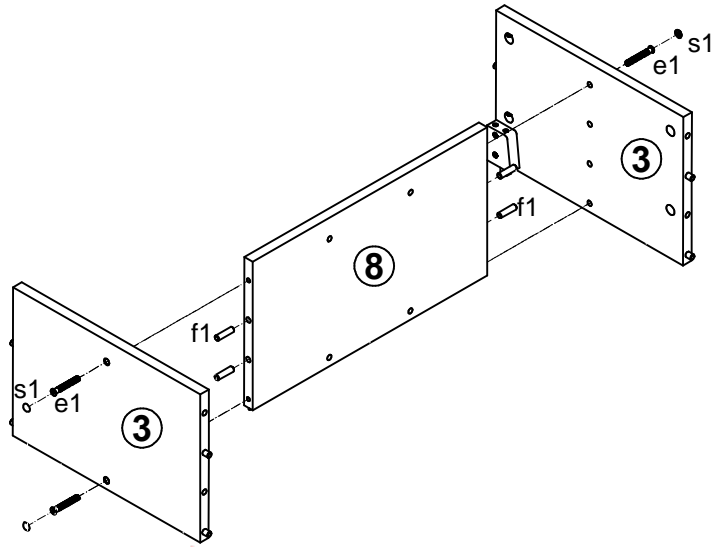
INDI

szafka wisząca

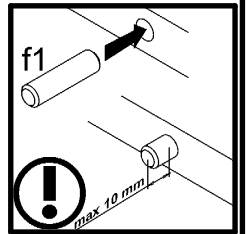
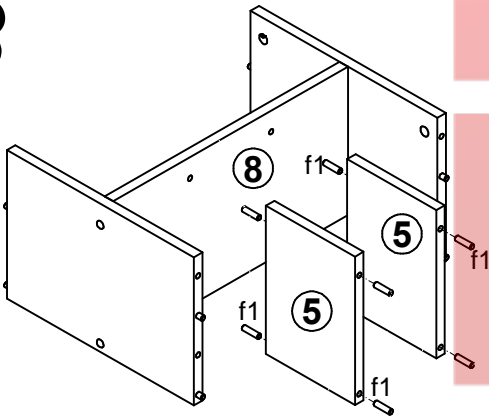
| A | B | C | D | A | B | C | D | | |
|---|---------|-----|-----|-----|---|---------|------|-----|-----|
| 1 | S52-003 | 392 | 312 | 3/3 | 6 | S52-203 | 1200 | 265 | 1/3 |
| 2 | S52-103 | 350 | 240 | 2/3 | 7 | S52-204 | 1200 | 265 | 1/3 |
| 3 | S52-104 | 350 | 240 | 2/3 | 8 | S52-302 | 440 | 240 | 2/3 |
| 4 | S52-105 | 350 | 240 | 2/3 | 9 | S52-903 | 1193 | 376 | 1/3 |
| 5 | S52-106 | 167 | 240 | 2/3 | | | | | |



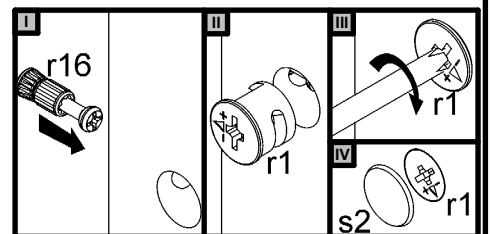
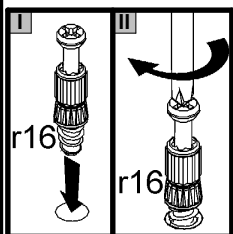
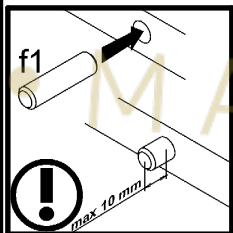
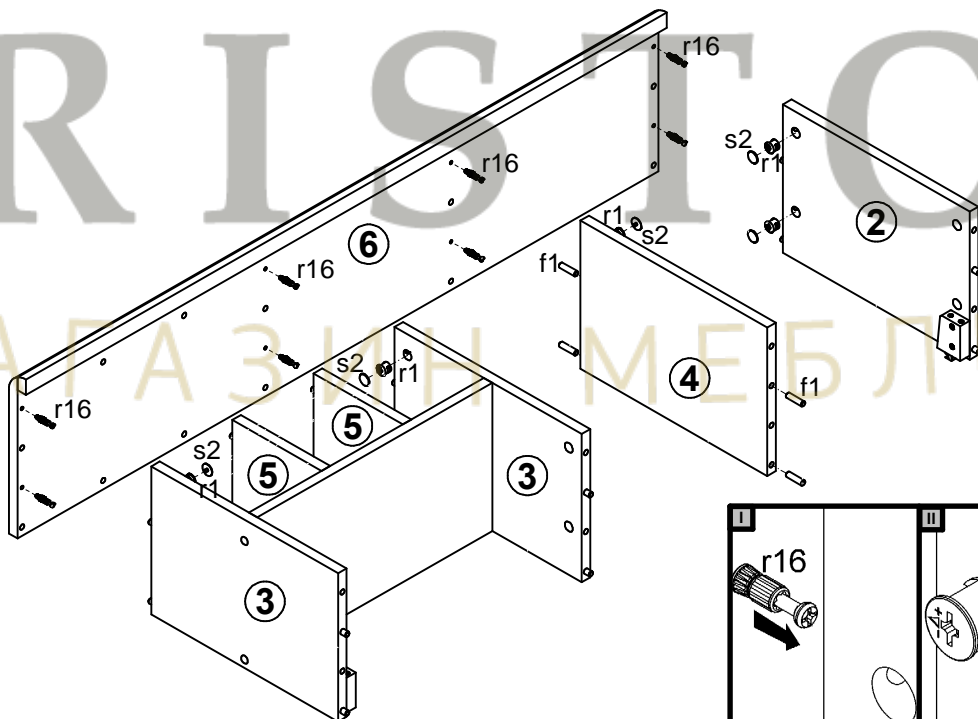
2



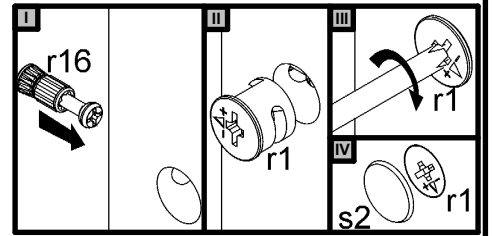
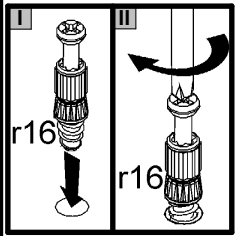
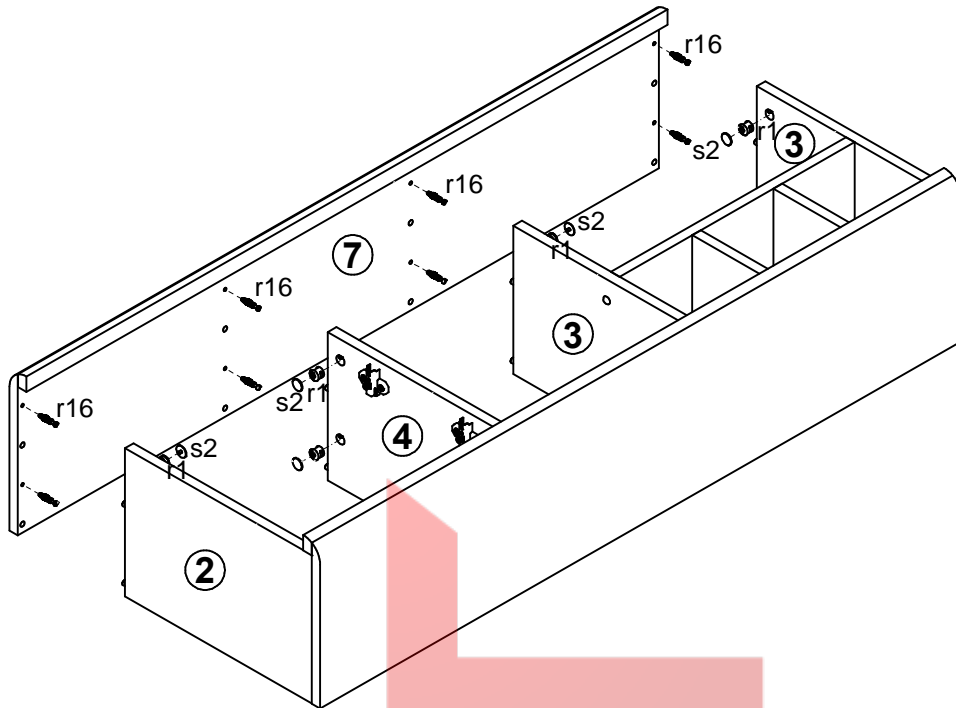
3



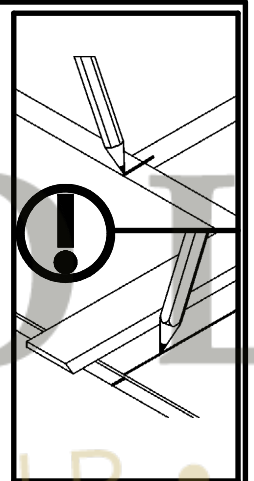
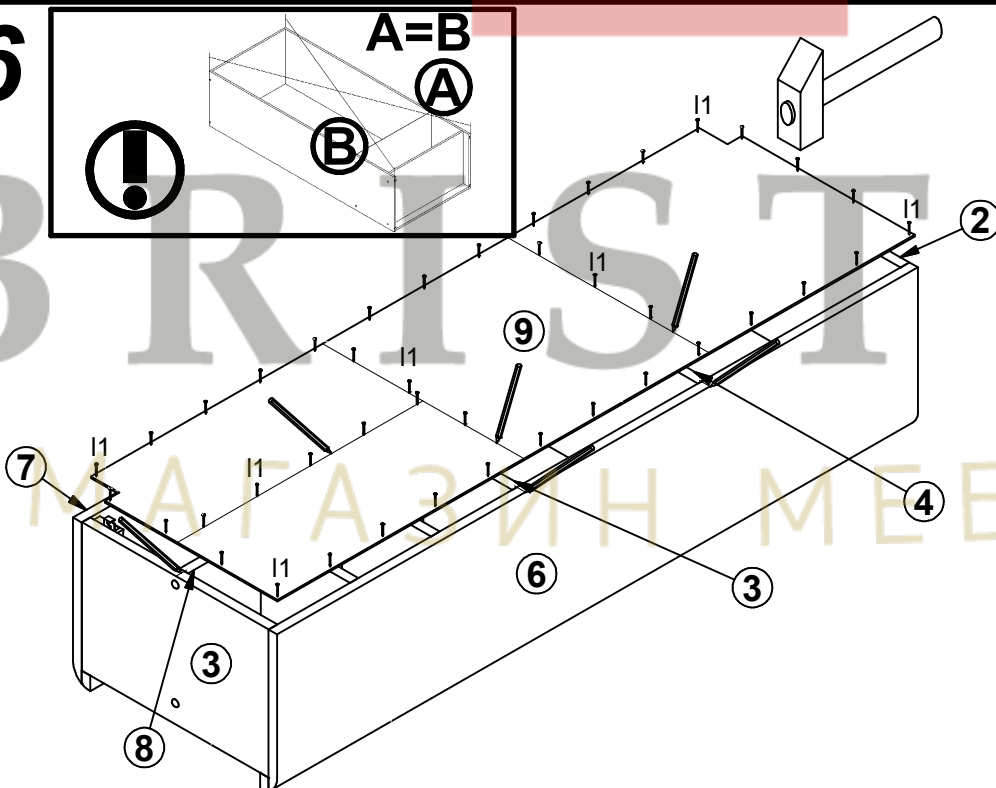
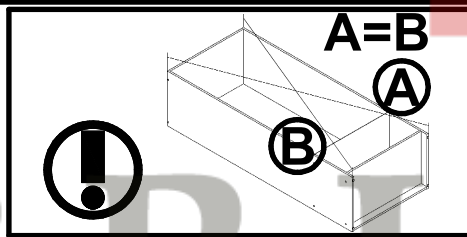
4



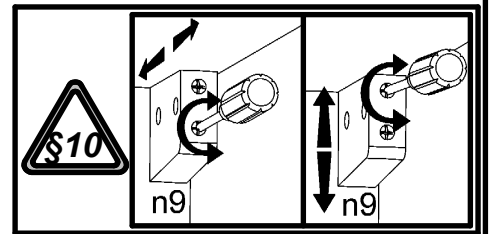
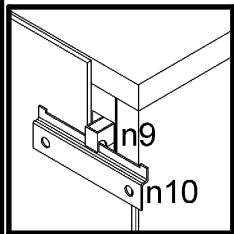
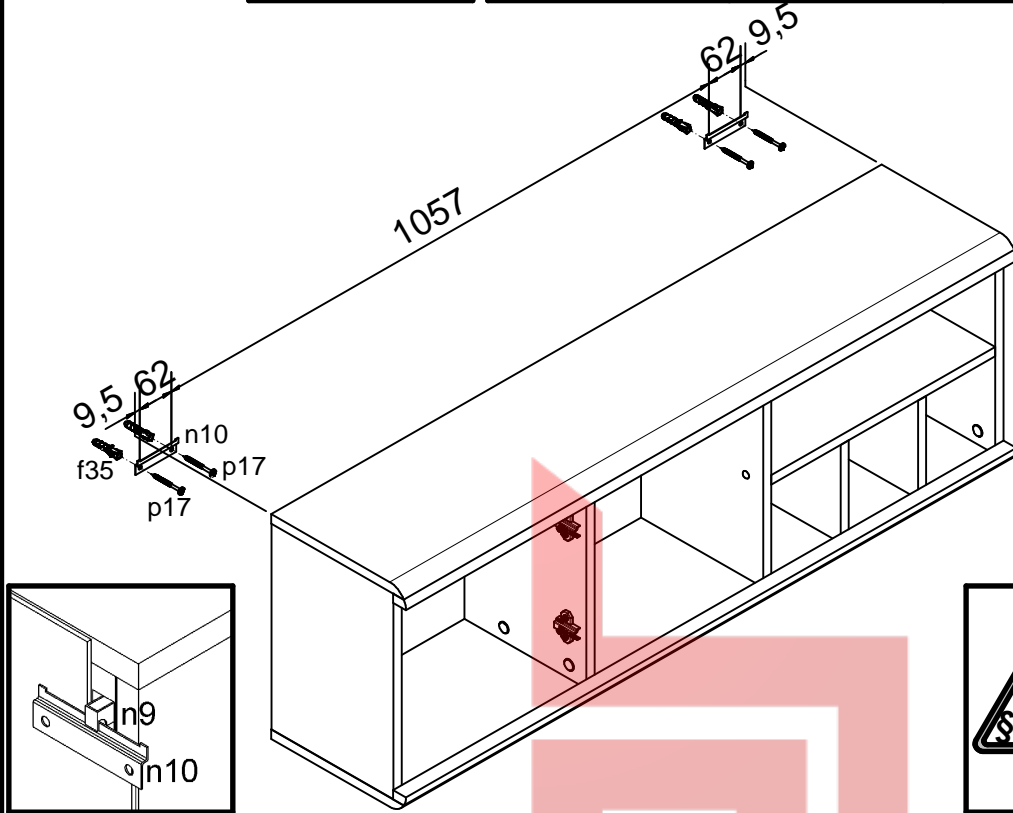
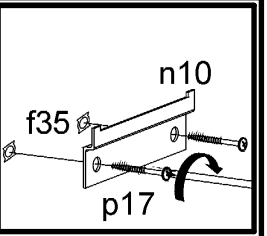
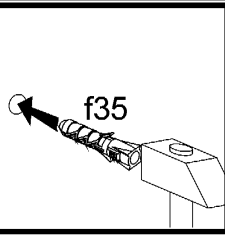
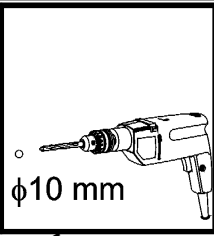
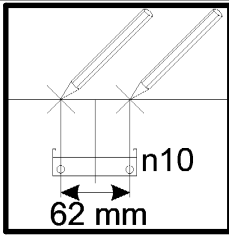
5



6



7



8

