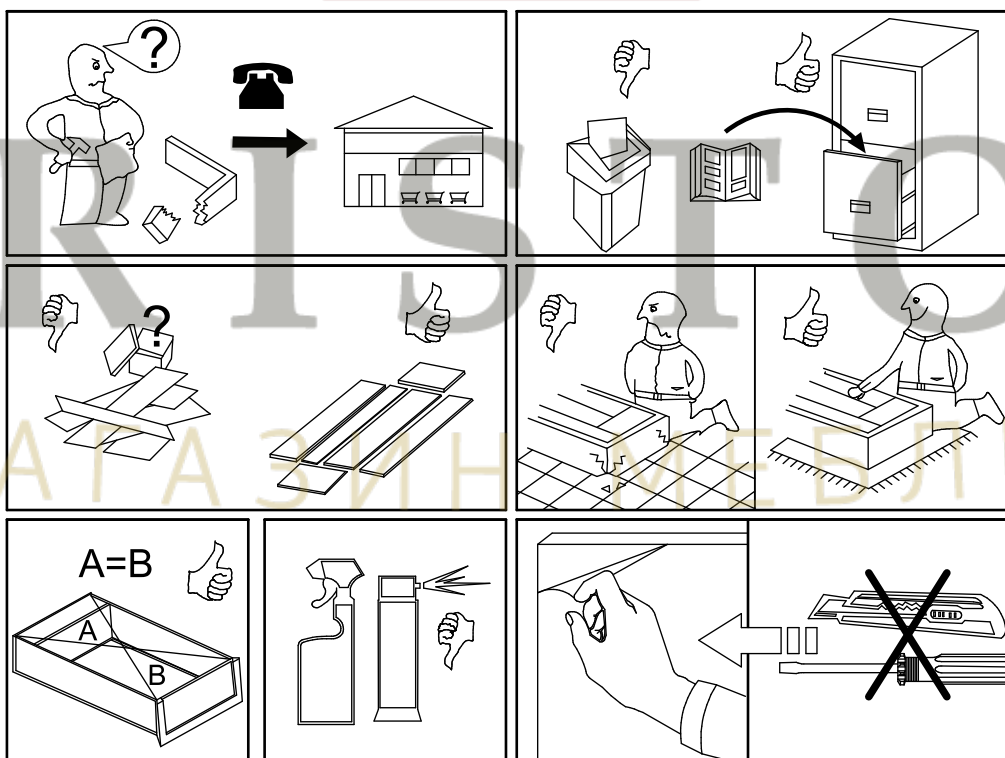
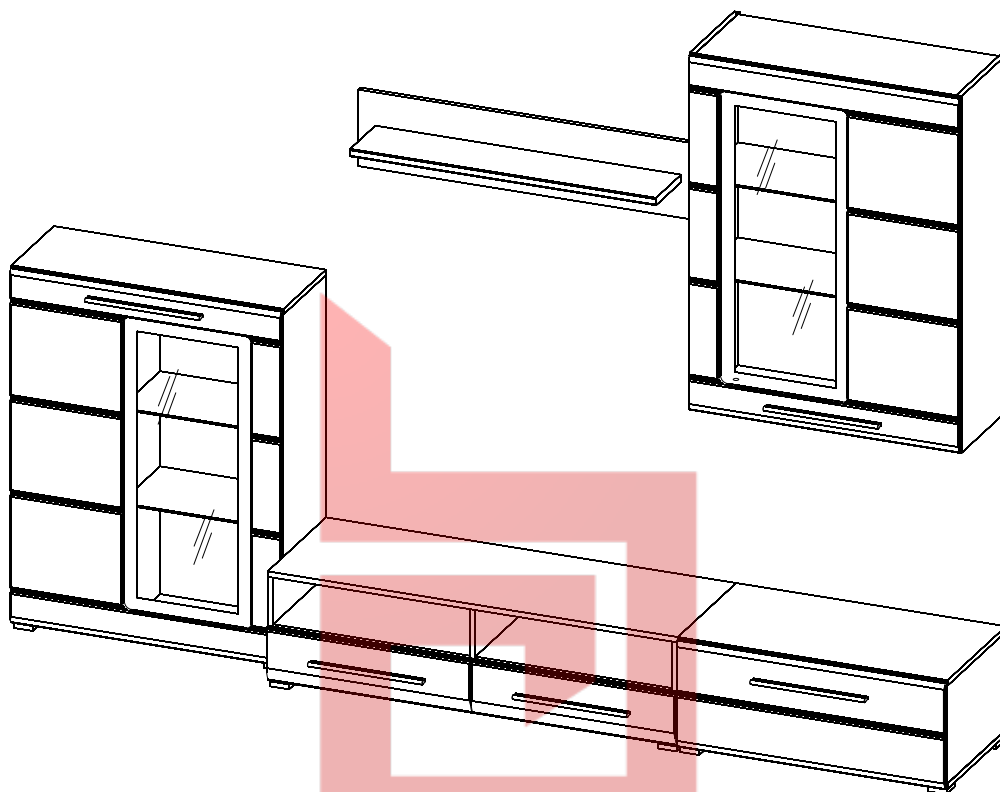
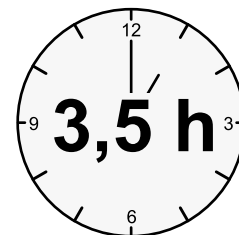
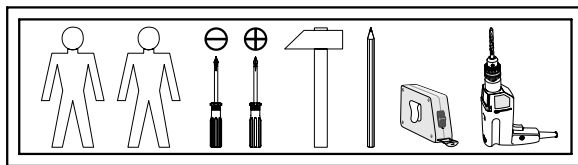
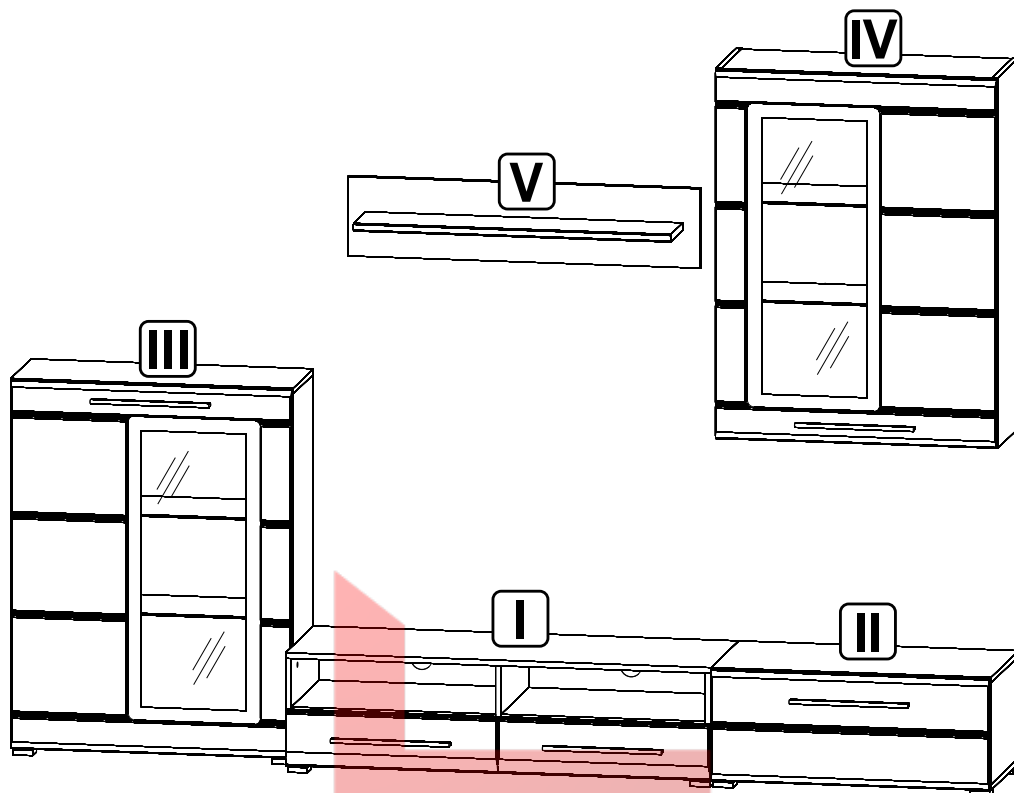
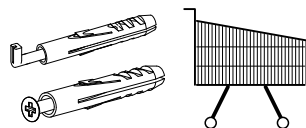


# ABPOPA

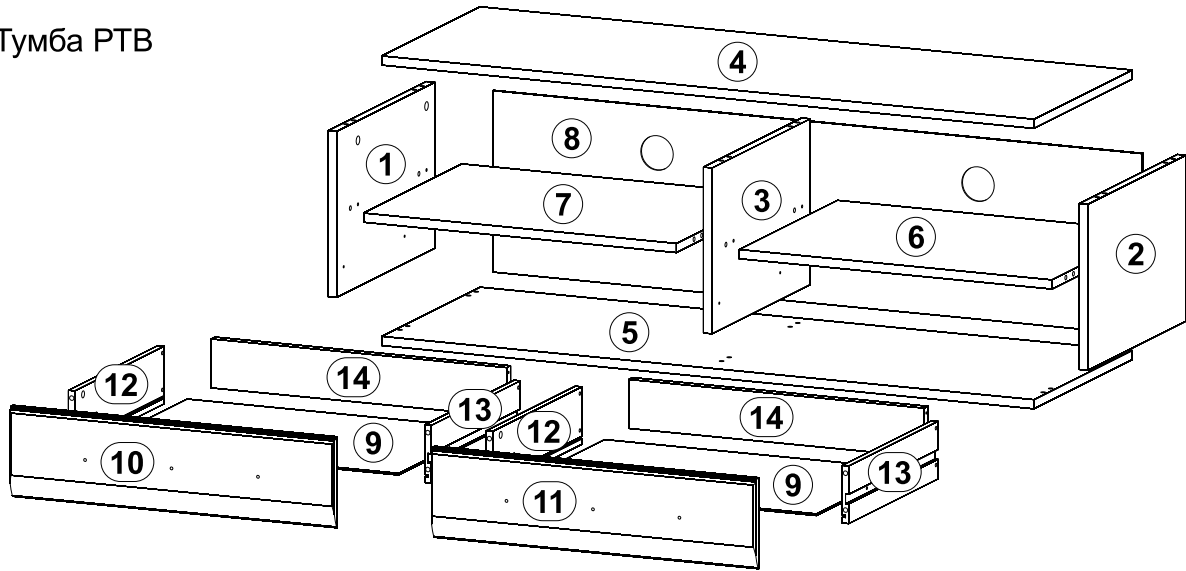




2x K16  <b>a1</b>	6x K0  <b>a2</b>	8x  <b>b1</b>	5x L 340 mm  <b>c520</b>	16x  $\phi 5 \times 17$ mm <b>d3</b>	20x  $\phi 7 \times 50$ mm <b>e1</b>
8x  $\phi 6 \times 13$ mm <b>e3</b>	4x  $\phi 5 \times 11$ mm <b>e4</b>	8x  $\phi 5 \times 50$ mm <b>e32</b>	56x  $\phi 8 \times 35$ mm <b>f29</b>	2x  <b>g2</b>	4x  M4x9 mm <b>j2</b>
14x  56x56/20 mm <b>k52</b>	115x  <b>l1</b>	10x  <b>l2</b>	16x  3 mm <b>l3</b>	1x  <b>m48</b>	2x  <b>n2</b>
2x  50x12/1,5 mm <b>n3</b>	2x  <b>n10</b>	1x  81x21x15/1,5 mm <b>n14</b>	12x  20x13x3,5/1 mm <b>n108</b>	2x  <b>n122/1</b>	4x silikon  $\phi 8 \times 1,8$ mm <b>o21</b>
4x  <b>o43/1</b>	1x  <b>o43/6</b>	4x  $\phi 3,5 \times 13$ mm <b>p1</b>	6x  $\phi 3,5 \times 13$ mm <b>p5</b>	15x  $\phi 4 \times 30$ mm <b>p9</b>	
32x  $\phi 4 \times 30$ mm <b>p21</b>	12x  $\phi 2,9 \times 16$ mm <b>p55</b>	16x  $\phi 3 \times 16$ mm <b>p52</b>	4x  $\phi 3 \times 10$ mm <b>p400</b>	52x  $\phi 15 \times 12$ mm #16 <b>r1</b>	4x  $\phi 12 \times 10,5$ mm #12 <b>r15</b>
56x 30/11  <b>r23</b>	44x $\phi 16$  <b>s2</b>	2x $\phi 5$  <b>s4</b>	4x 310 mm  <b>w4</b>	1x GLUE  <b>y1</b>	1x  <b>z1</b>



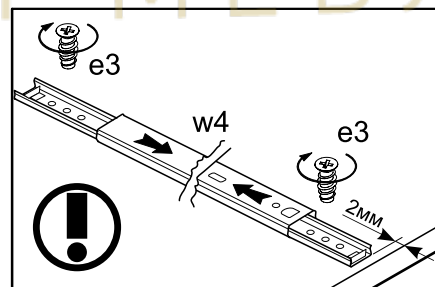
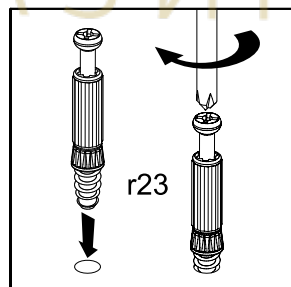
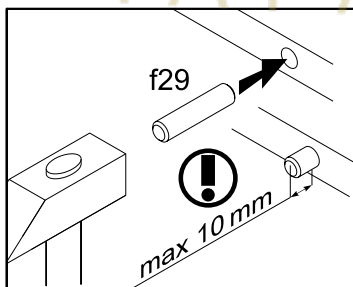
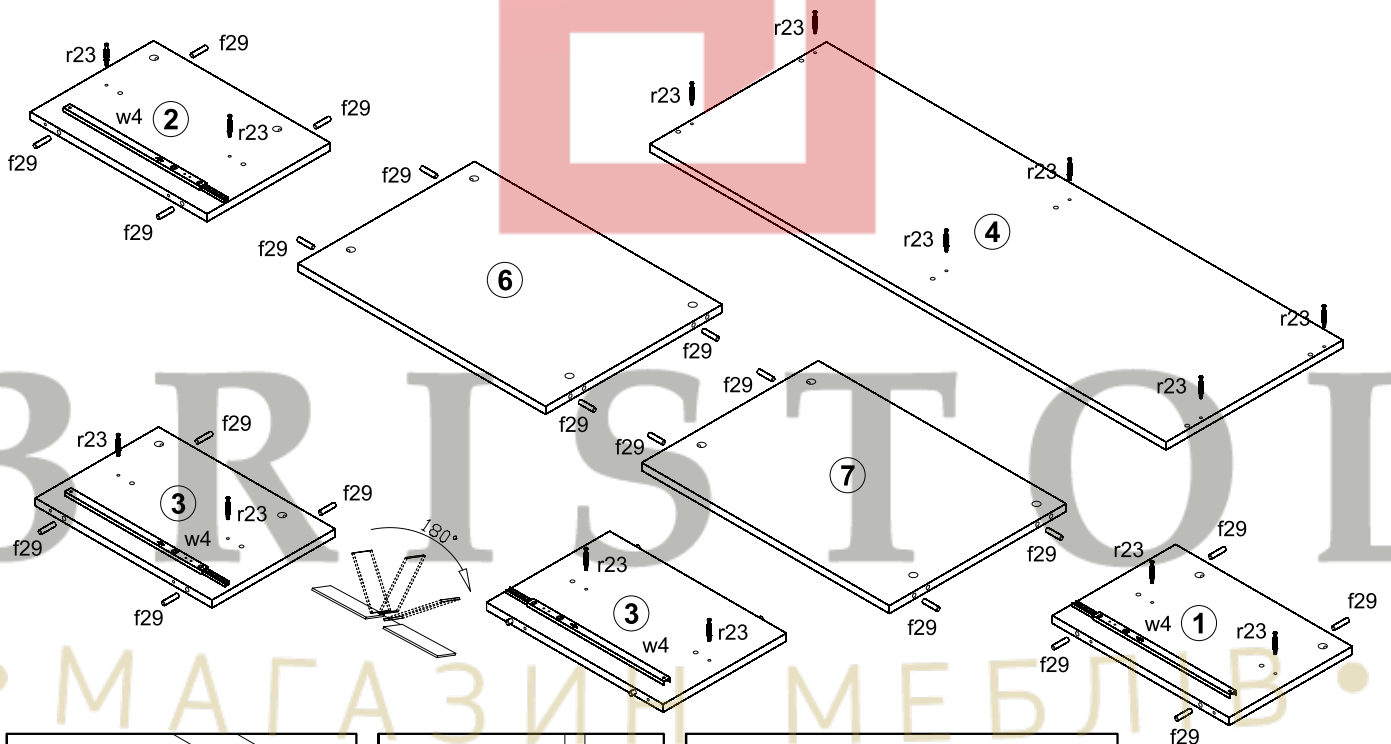
**I** Тумба РТВ

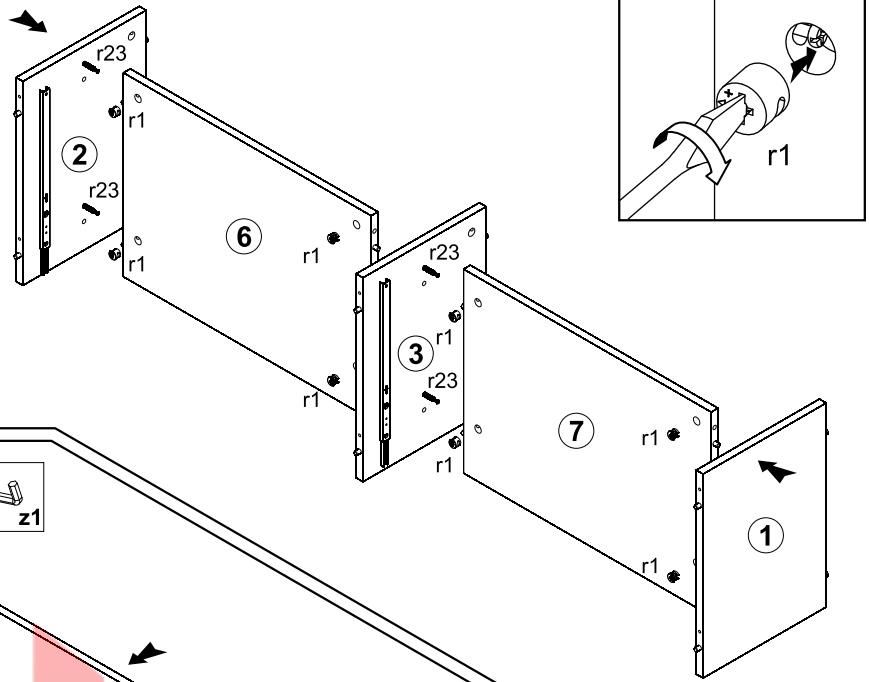


A	B	C	D	A	B	C	D		
1	PU1-104	288	413	1/4	8	PU1-911	1202	315	1/4
2	PU1-103	288	413	1/4	9	PU1-904	558	378	1/4
3	PU1-122	288	413	1/4	10	PU1-021A	600	158	4/4
4	PU1-207	1207	413	1/4	11	PU1-022A	600	158	4/4
5	PU1-208	1207	413	1/4	12	PU1-551	375	100	4/4
6	PU1-307	579	413	1/4	13	PU1-552	375	100	4/4
7	PU1-308	579	413	1/4	14	PU1-558	547	85	2/4

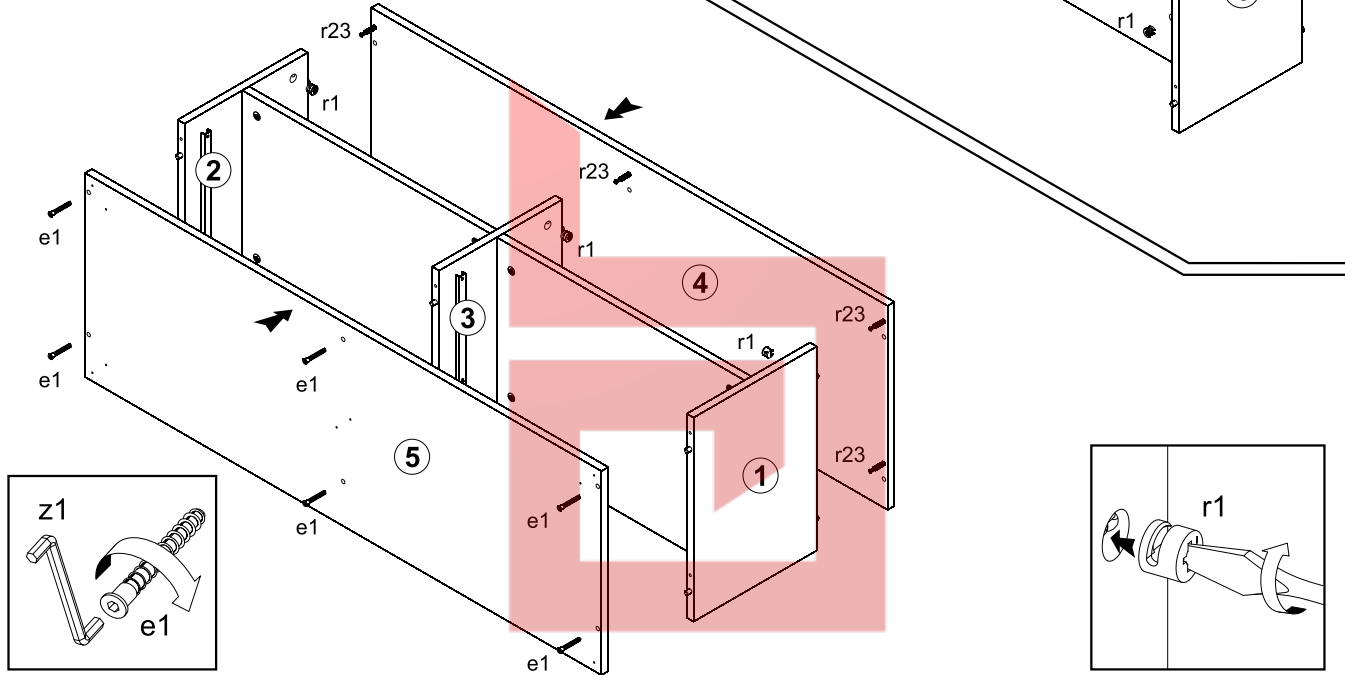


**1**

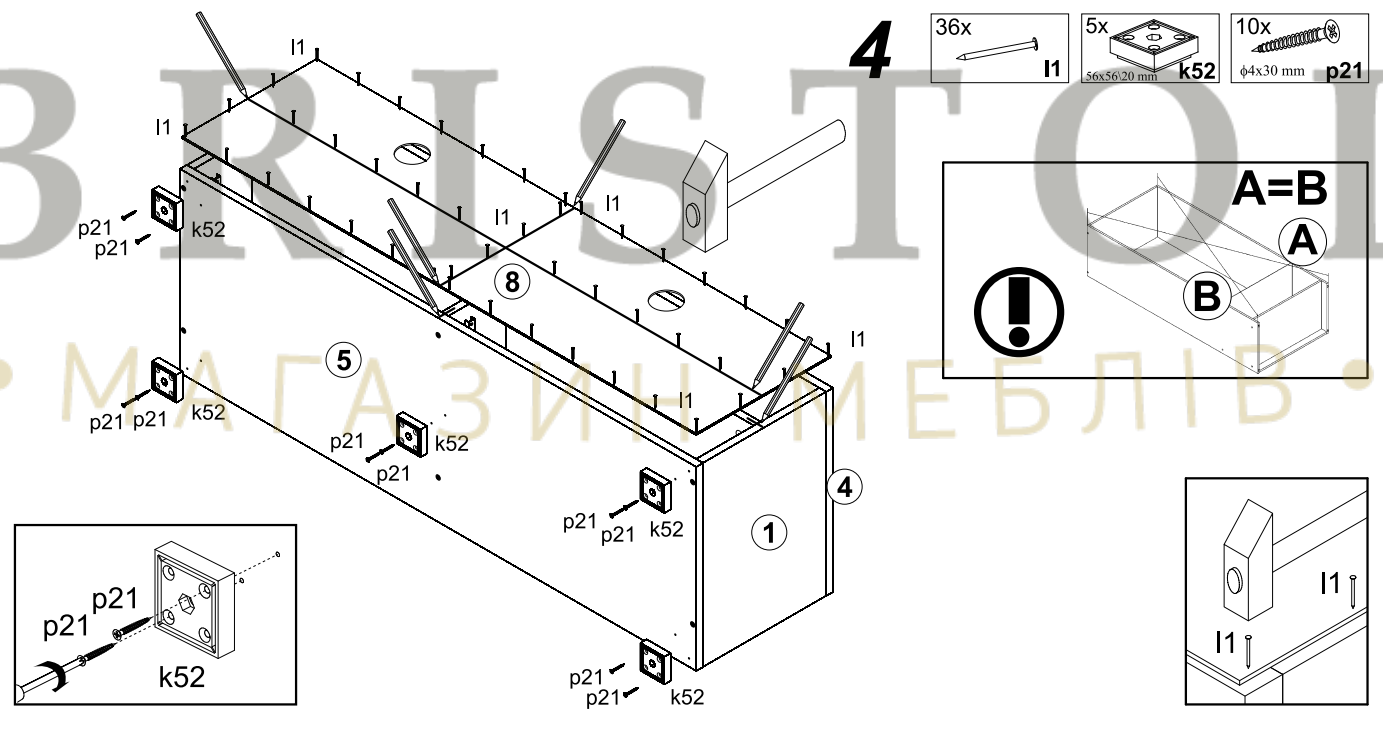


**2**8x  $\phi 15 \times 12 \text{mm}$  #16 r1**3**6x  $\phi 7 \times 50 \text{mm}$  e16x  $\phi 15 \times 12 \text{mm}$  #16 r1

1x z1

**4**

36x l1

5x  $56 \times 56 \times 20 \text{mm}$  k5210x  $\phi 4 \times 30 \text{mm}$  p21

# 5

8x  $\phi 5 \times 50$  mm e32

4x  $\phi 8 \times 35$  mm f29

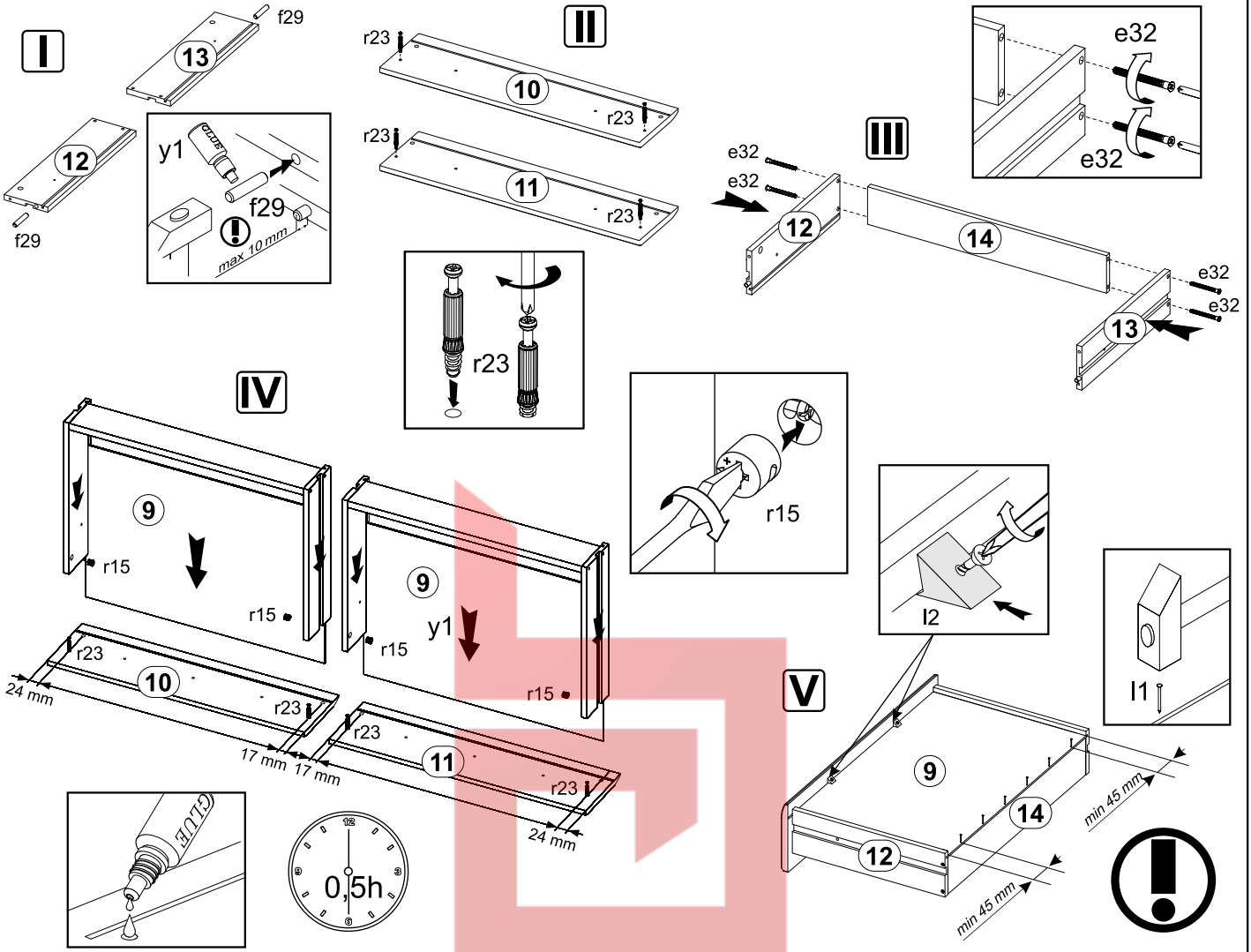
12x I1

4x I2

4x  $\phi 12 \times 10,5$  mm #12 r15

4x 30/11 r23

1x GLUB y1



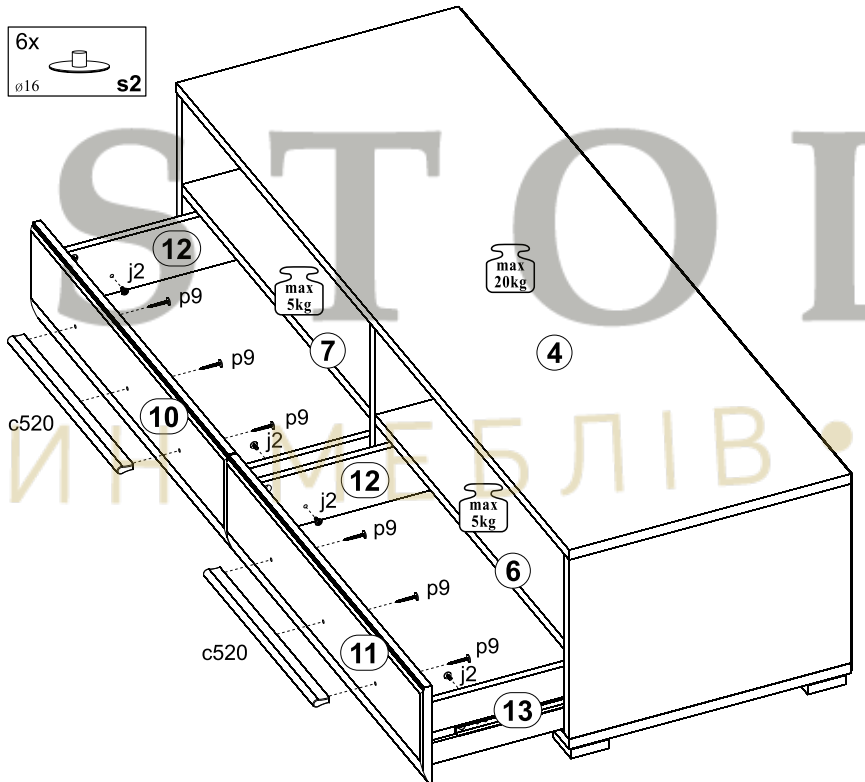
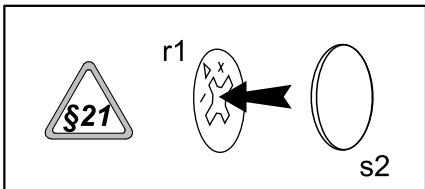
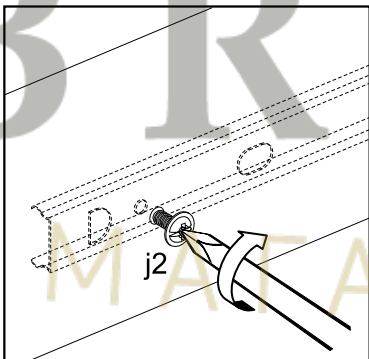
# 6

2x L 340 mm c520

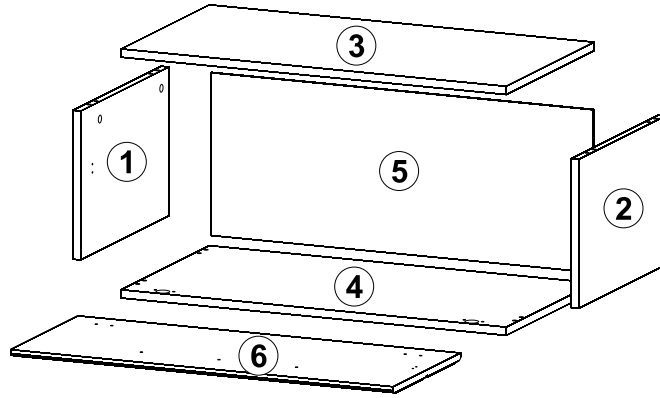
4x M4x9 mm j2

6x  $\phi 4 \times 30$  mm p9

6x  $\phi 16$  s2



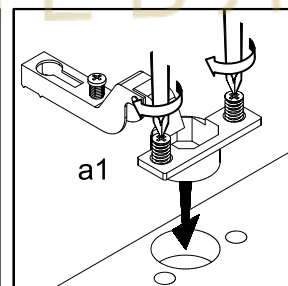
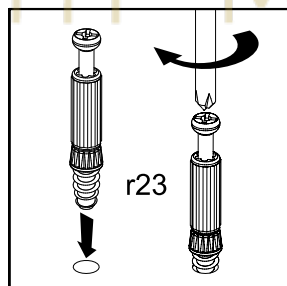
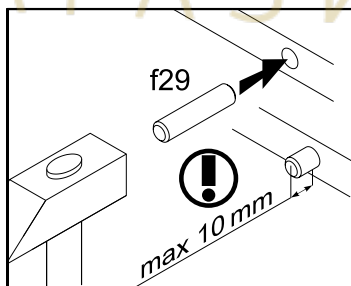
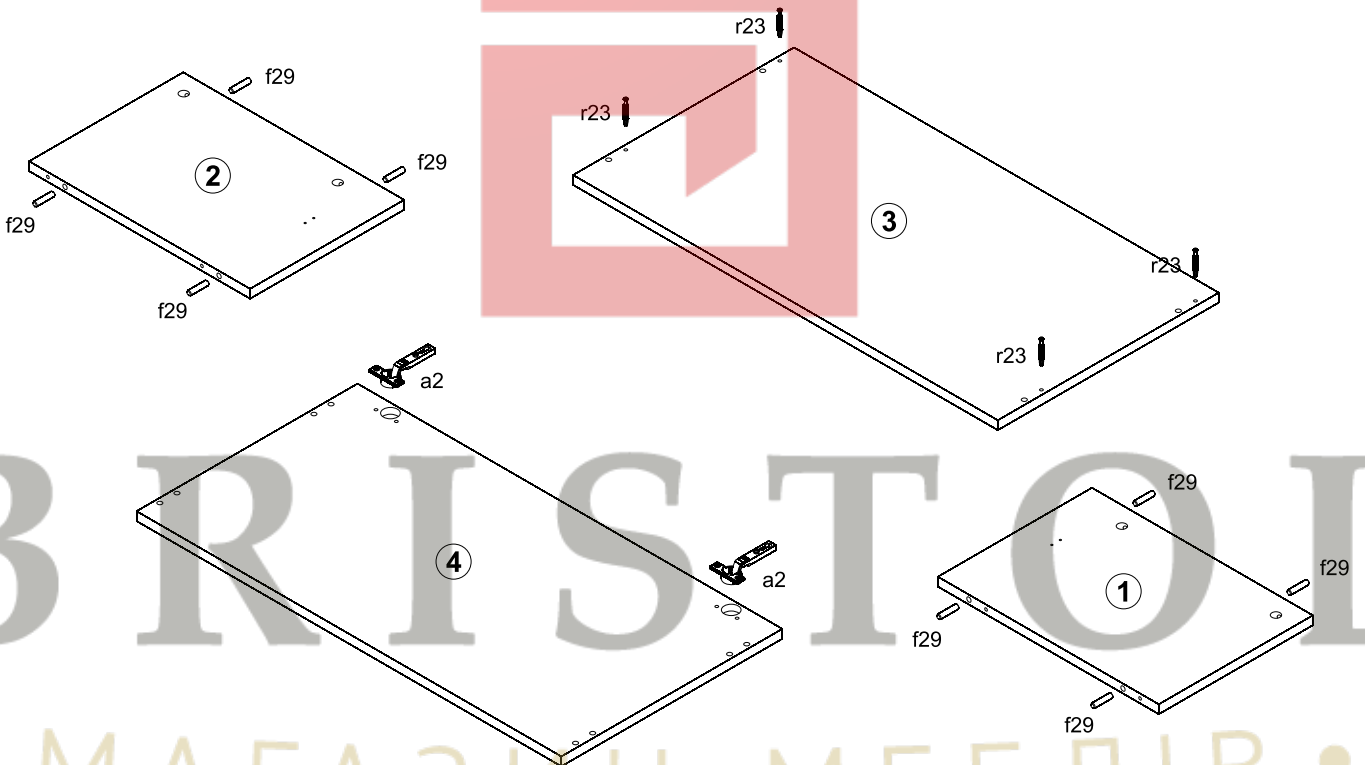
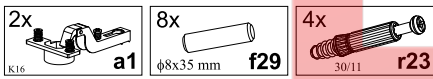
**II** Тумба 1D



A	B	C	D	
1	PU1-101	288	413	1/4
2	PU1-106	288	413	1/4
3	PU1-209	796	413	1/4
4	PU1-210	796	413	1/4
5	PU1-916	790	315	1/4
6	PU1-020A	792	316	4/4

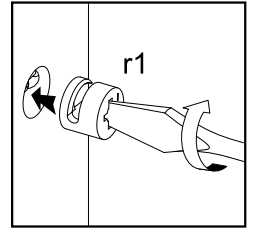
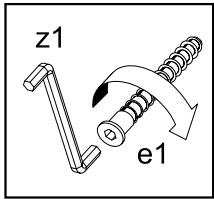
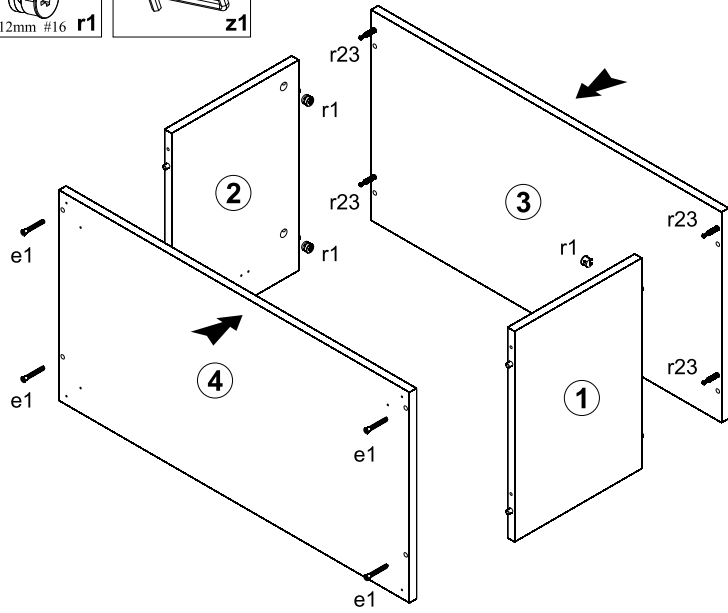


**7**



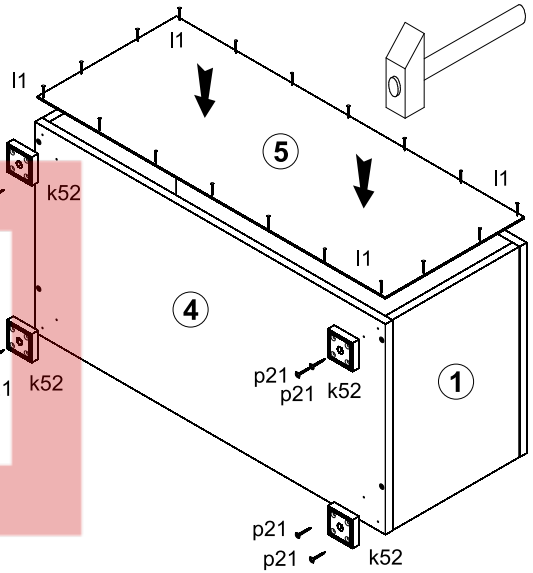
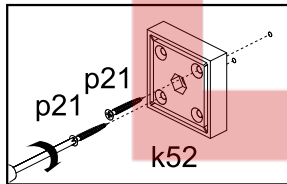
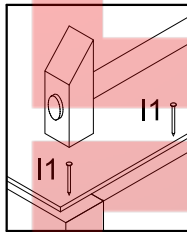
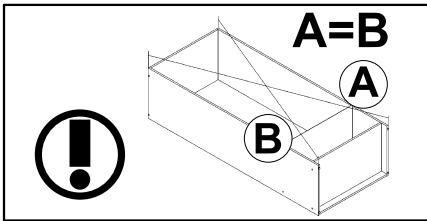
8

- 4x  $\phi 7 \times 50$  mm e1
- 4x  $\phi 15 \times 12$  mm #16 r1
- 1x z1



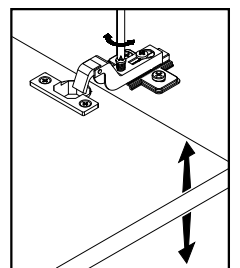
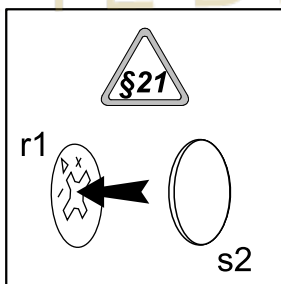
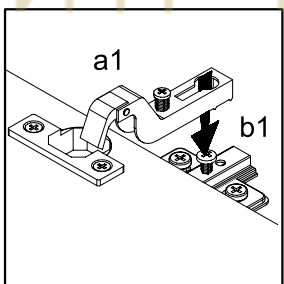
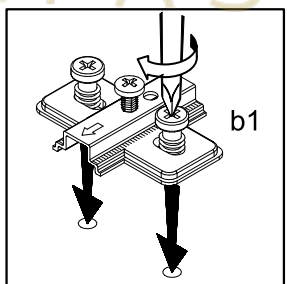
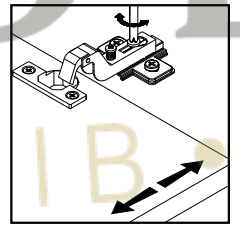
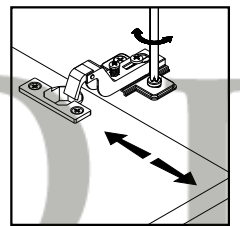
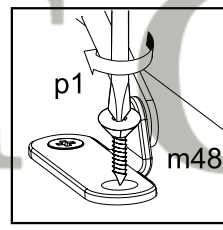
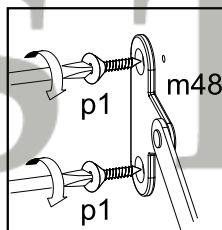
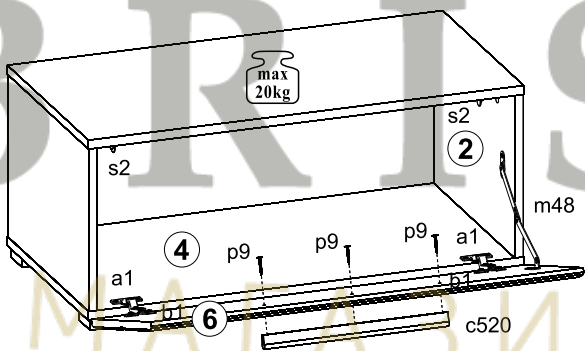
9

- 36x l1
- 4x 56x56/20 mm k52
- 8x  $\phi 4 \times 30$  mm p21



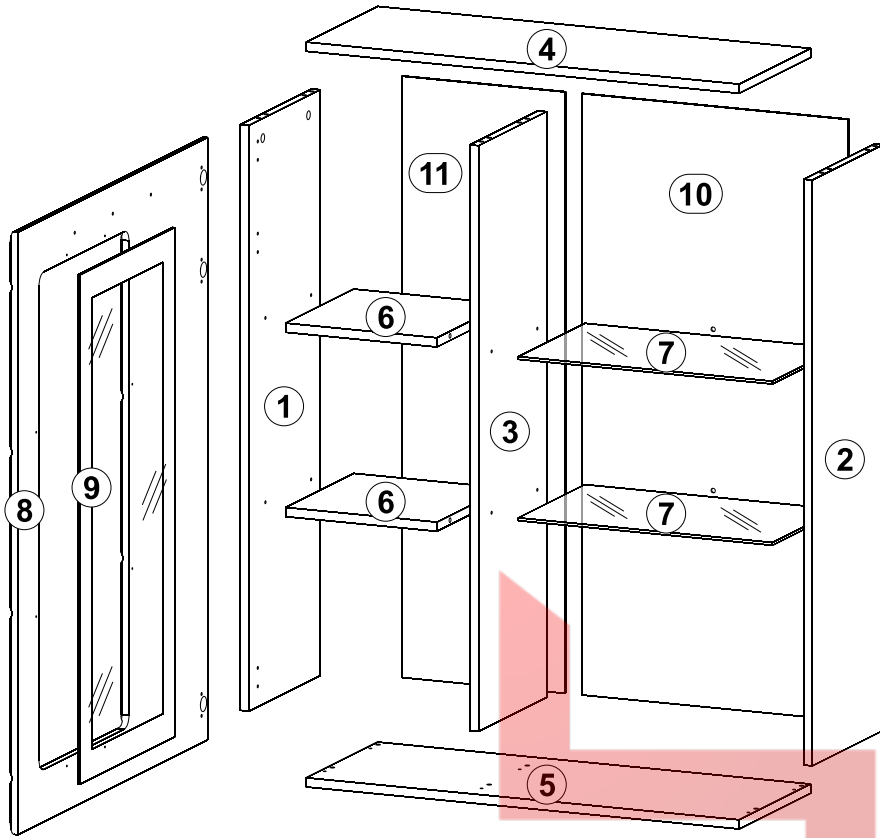
10

- 1x L 340 mm c520
- 1x m48
- 4x  $\phi 3.5 \times 13$  mm p1
- 3x  $\phi 4 \times 30$  mm p9
- 4x  $\phi 16$  s2



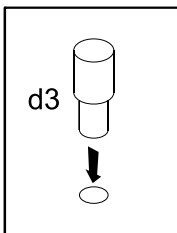
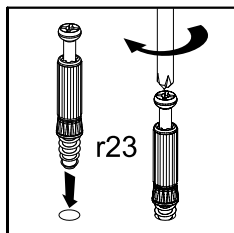
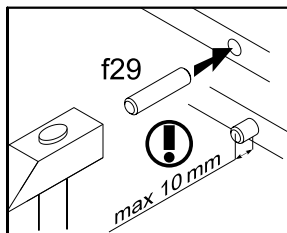
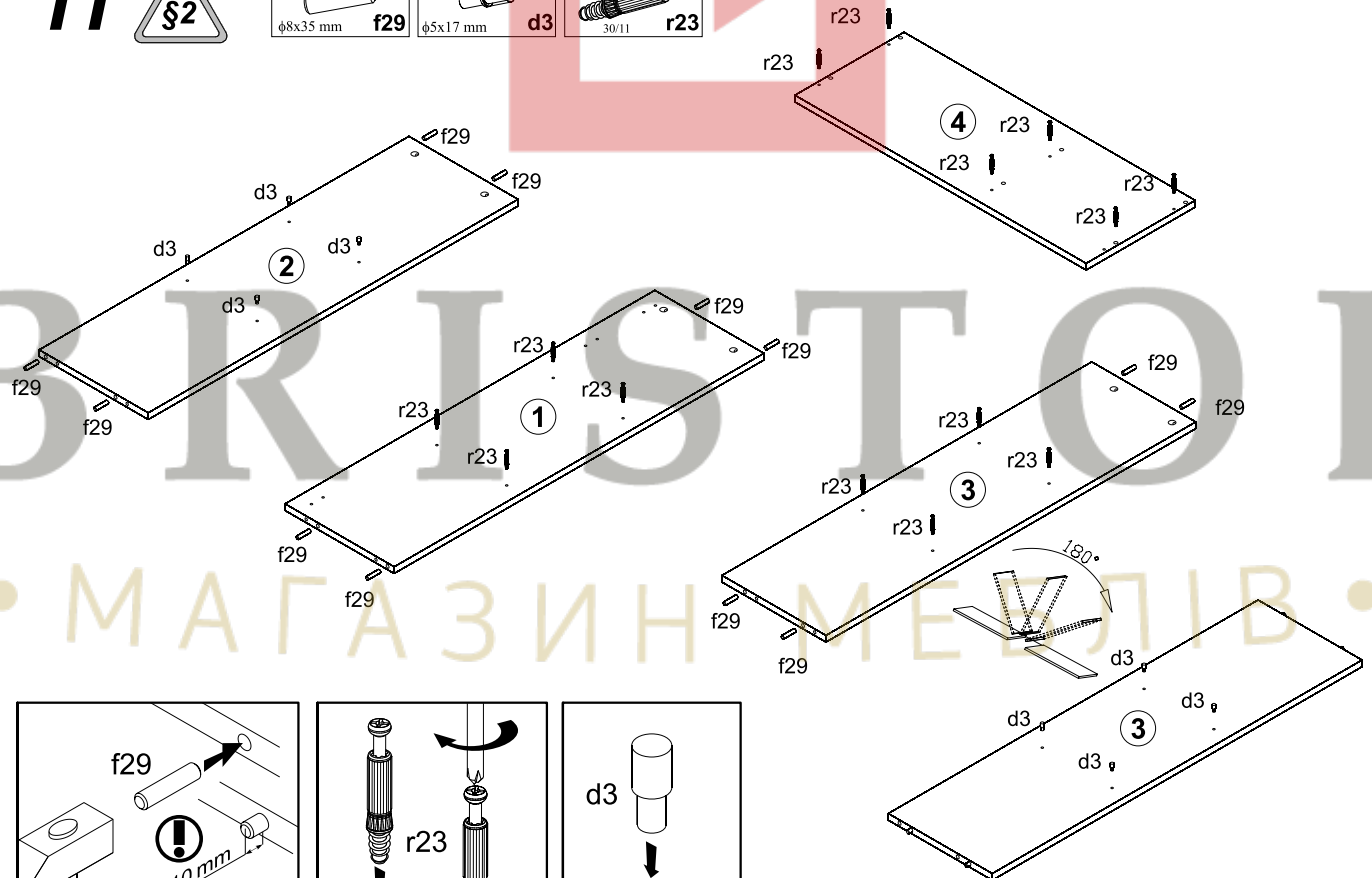
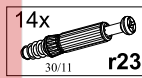
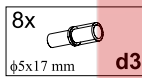
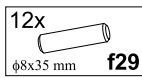


Вітрина ліва / Витрина левая



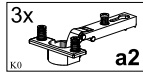
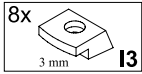
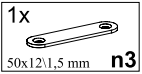
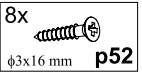

A	B	C	D	
1	PU1-110	1017	330	2/4
2	PU1-111	1017	330	2/4
3	PU1-121	1017	316	2/4
4	PU1-205	800	330	2/4
5	PU1-206	800	330	2/4
6	PU1-313	280	316	2/4
7	PU1-312	469	309	2/4
8	PU1-009A	1046	796	4/4
9	PU1-501	884	398	4/4
10	PU1-908	1044	492	4/4
11	PU1-909	1044	301	4/4

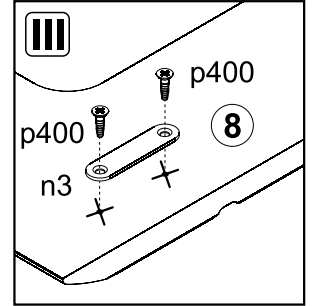
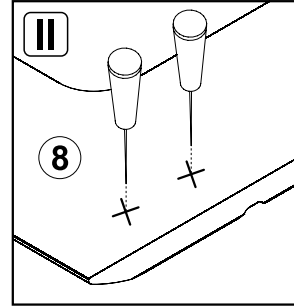
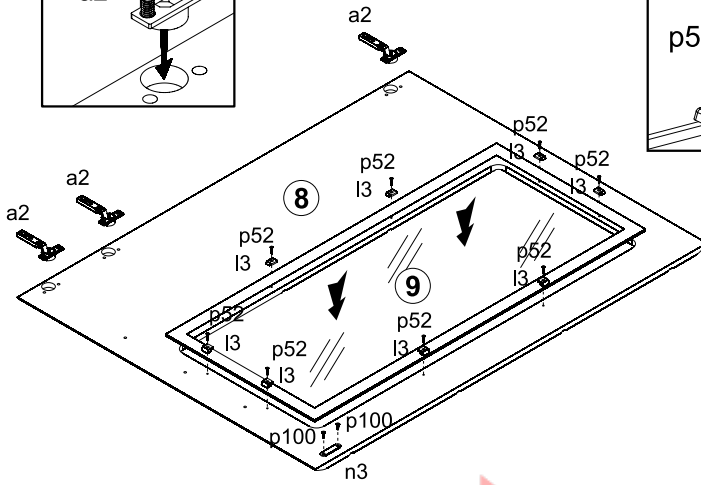
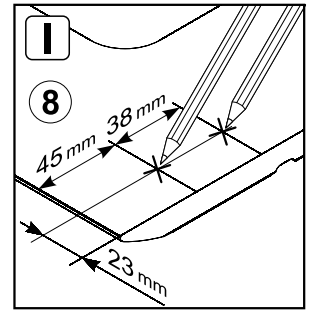
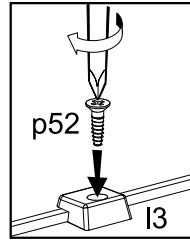
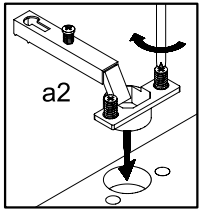
11





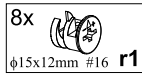
# 12

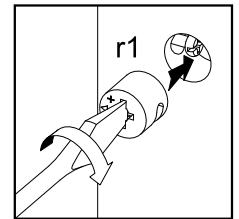
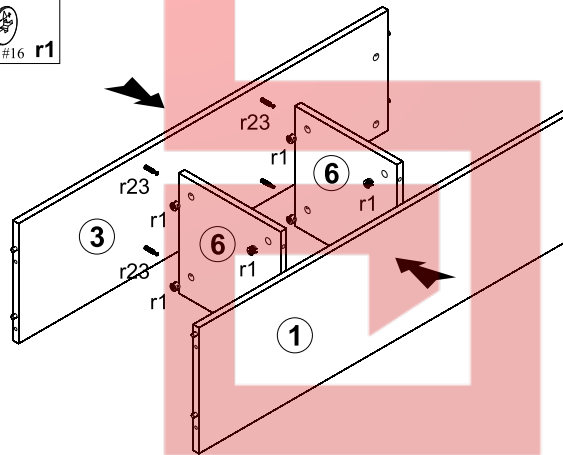
- 3x  a2
- 8x  l3 3 mm
- 1x  n3 50x12,1,5 mm
- 8x  p52  $\phi 3 \times 16$  mm
- 2x  p400  $\phi 3 \times 10$  mm




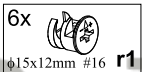

# 13

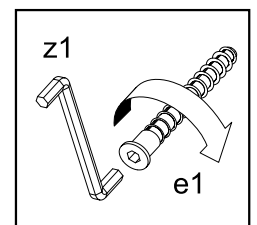
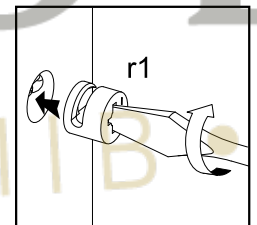
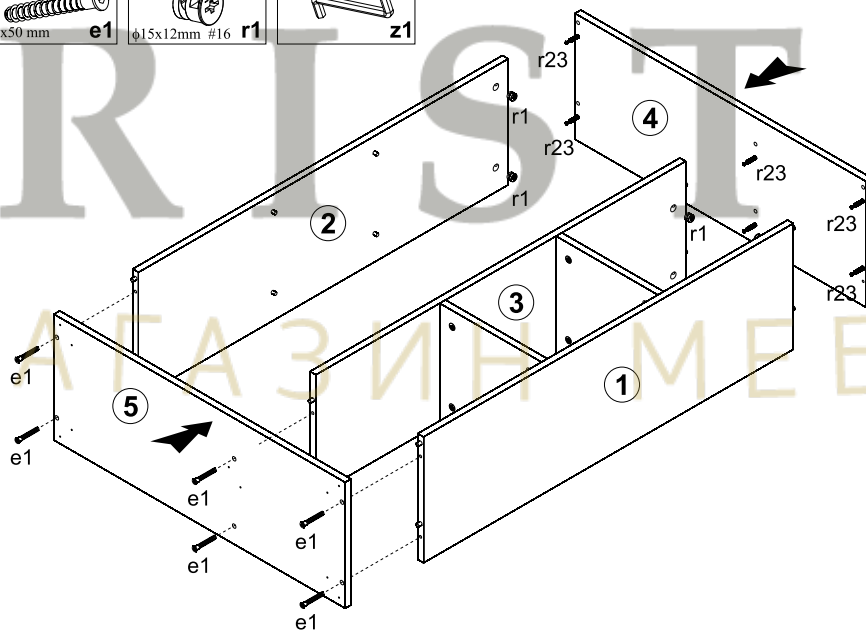


- 8x  r1  $\phi 15 \times 12$  mm #16



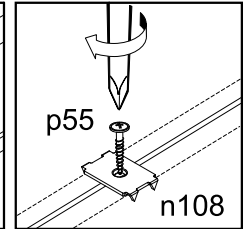
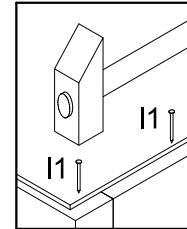
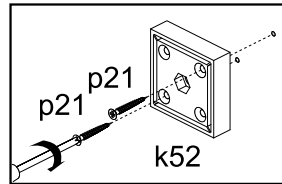
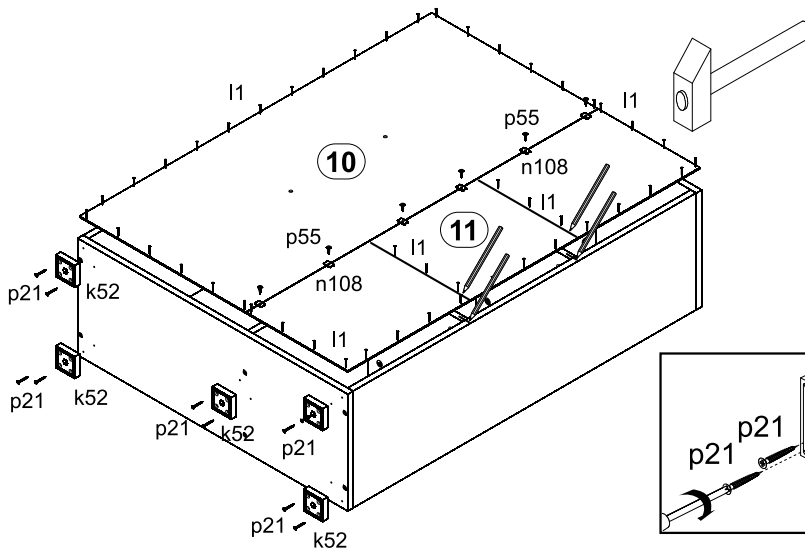
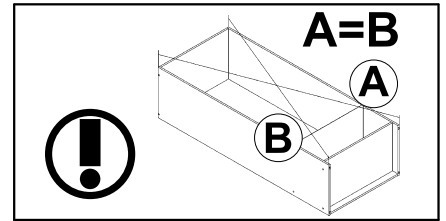
# 14

- 6x  e1  $\phi 7 \times 50$  mm
- 6x  r1  $\phi 15 \times 12$  mm #16
- 1x  z1



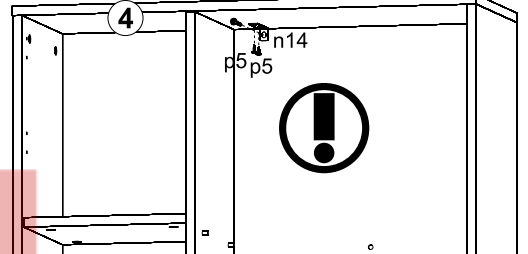
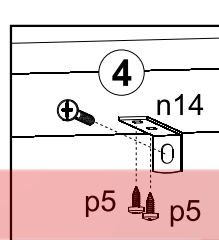
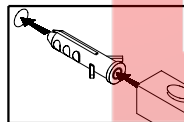
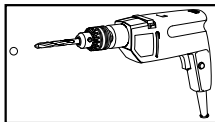
# 15

- 24x l1
- 5x k52 56x56x20 mm
- 6x n108 20x13x3,51mm
- 6x p55  $\phi 2,9 \times 16$  mm
- 10x p21  $\phi 4 \times 30$  mm



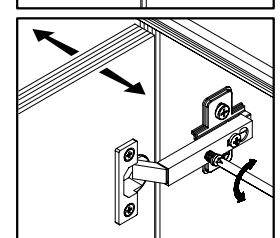
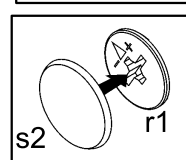
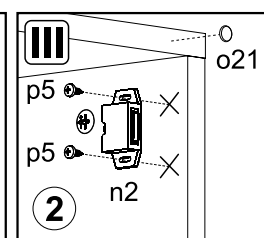
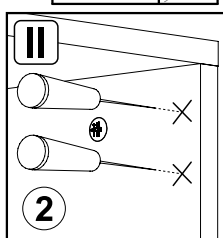
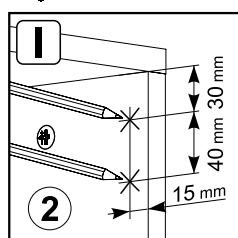
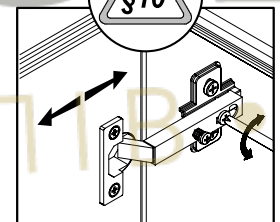
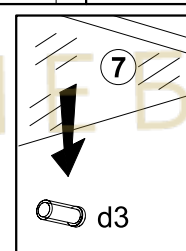
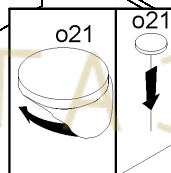
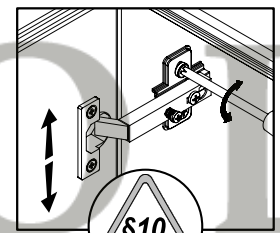
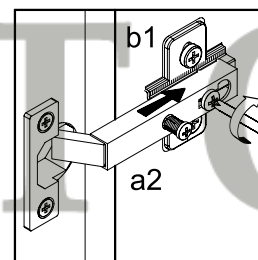
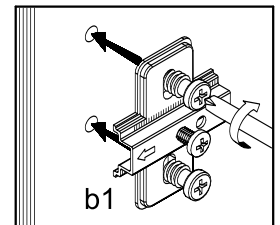
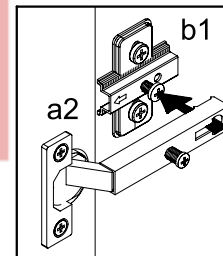
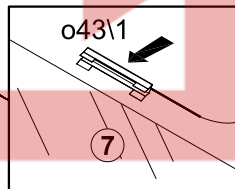
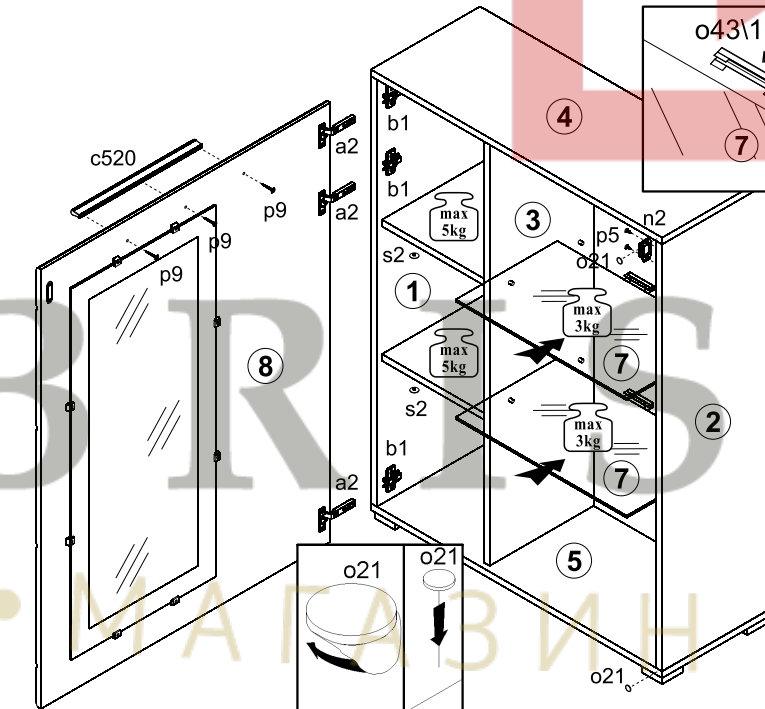
# 16

- 1x n14 81x21x15/1,5mm
- 2x p5  $\phi 3,5 \times 13$  mm



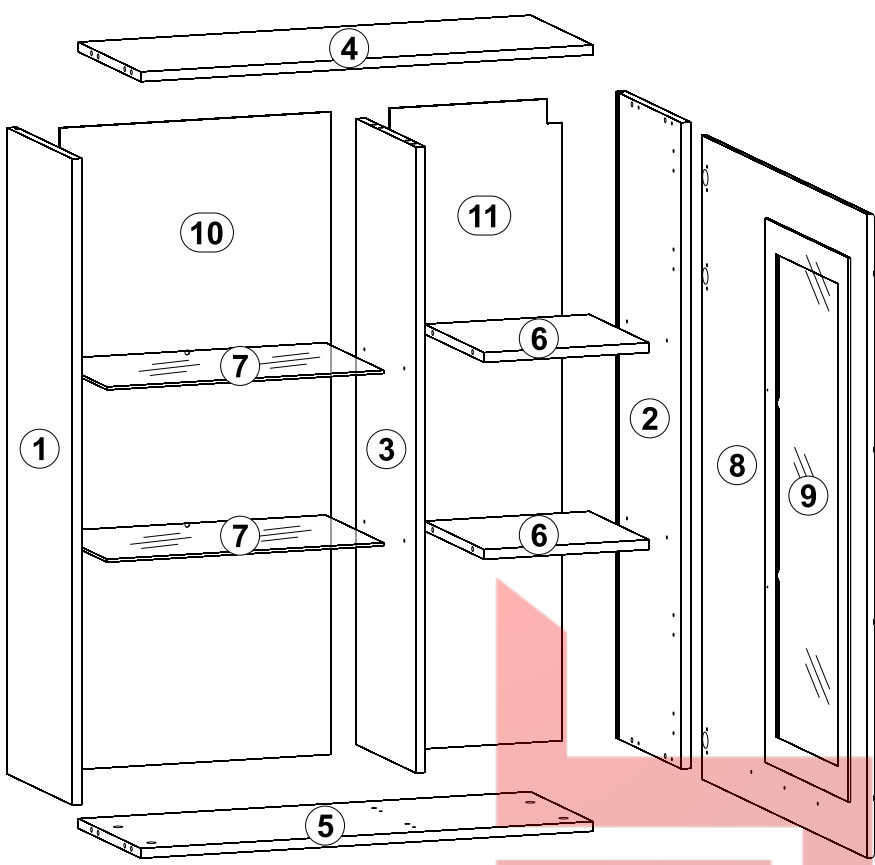
# 17

- 3x b1
- 1x c520 L 340 mm
- 1x n2
- 2x silikon o21  $\phi 8 \times 1,8$  mm
- 2x o43/1
- 2x p5  $\phi 3,5 \times 13$  mm
- 3x p9  $\phi 4 \times 30$  mm
- 14x s2  $\phi 16$



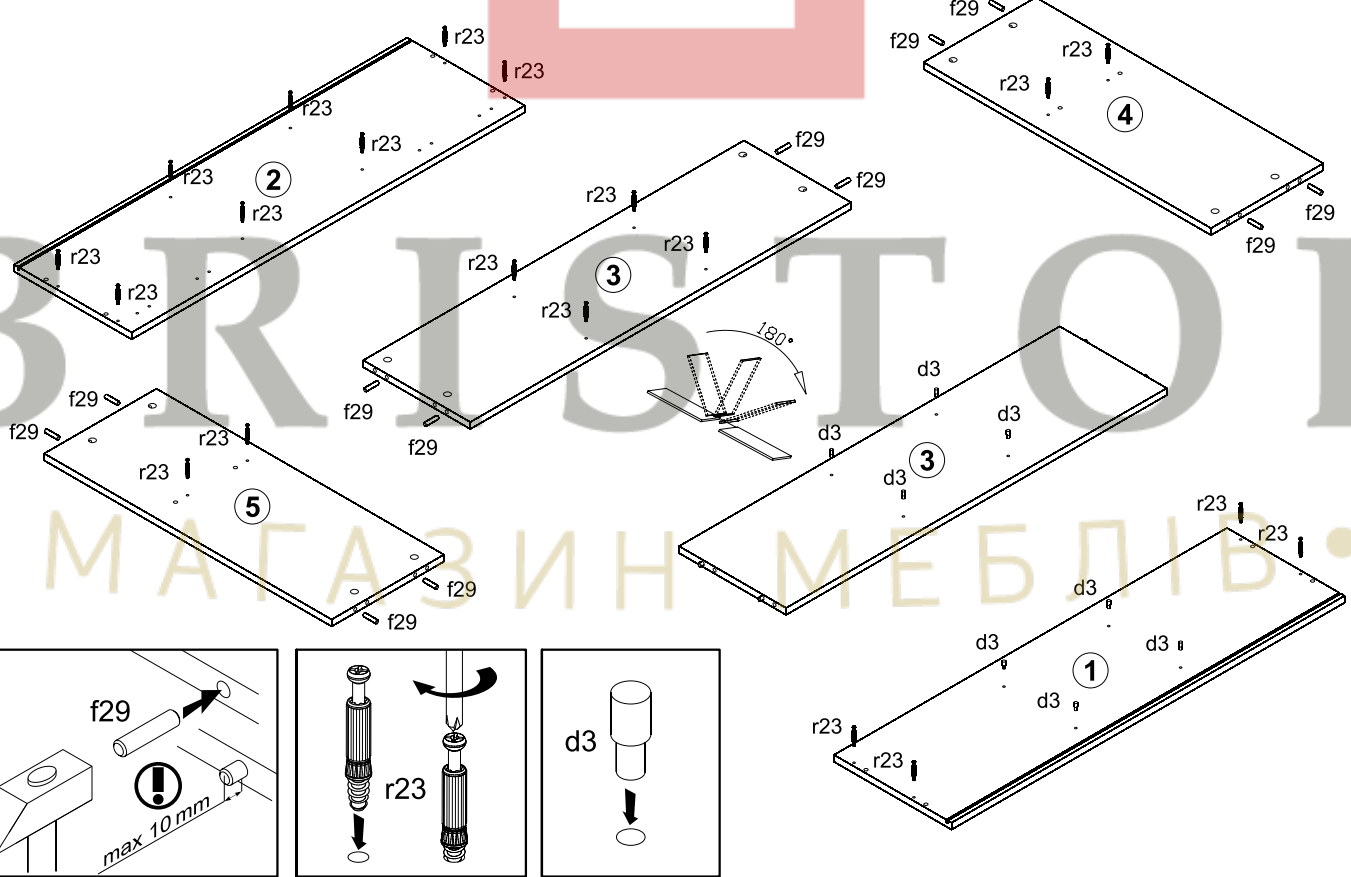
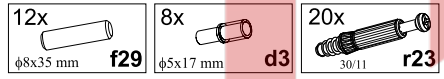
# IV

## Вітрина навесна права / Витрина навесная правая

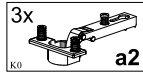
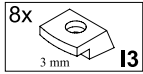
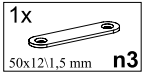
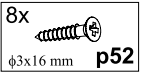



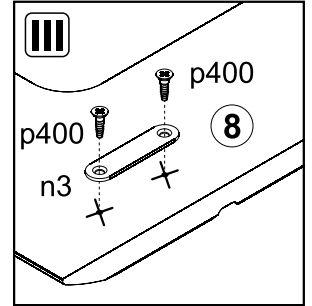
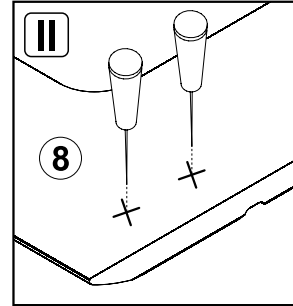
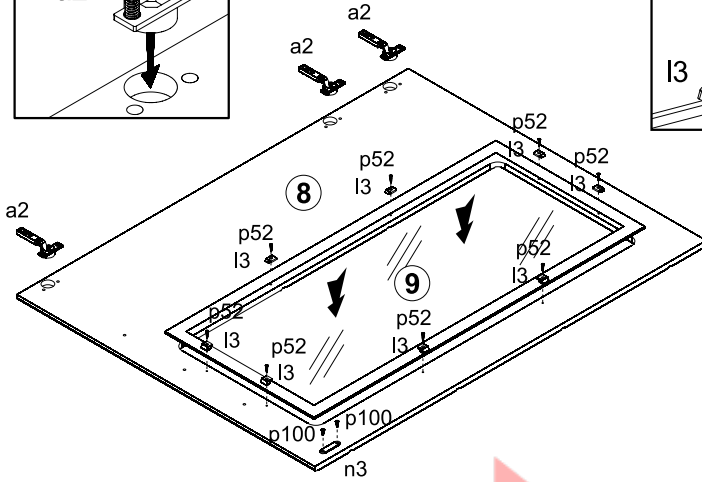
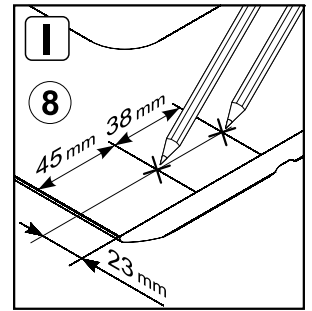
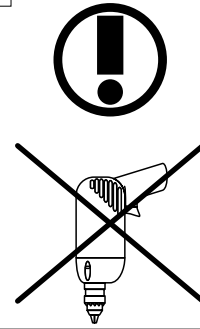
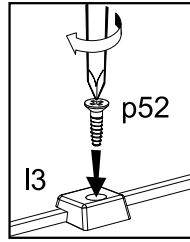
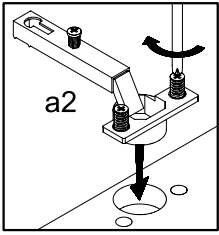
A	B	C	D	
1	PU1-108-01	1050	314	3/4
2	PU1-107-01	1050	314	3/4
3	PU1-109	1017	286	3/4
4	PU1-302	768	300	3/4
5	PU1-303	768	300	3/4
6	PU1-304	280	286	3/4
7	PU1-305	470	279	3/4
8	PU1-007A	1046	796	4/4
9	PU1-501	884	398	4/4
10	PU1-905	1044	485	4/4
11	PU1-906	1044	293	4/4

# 18



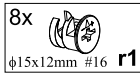
# 19

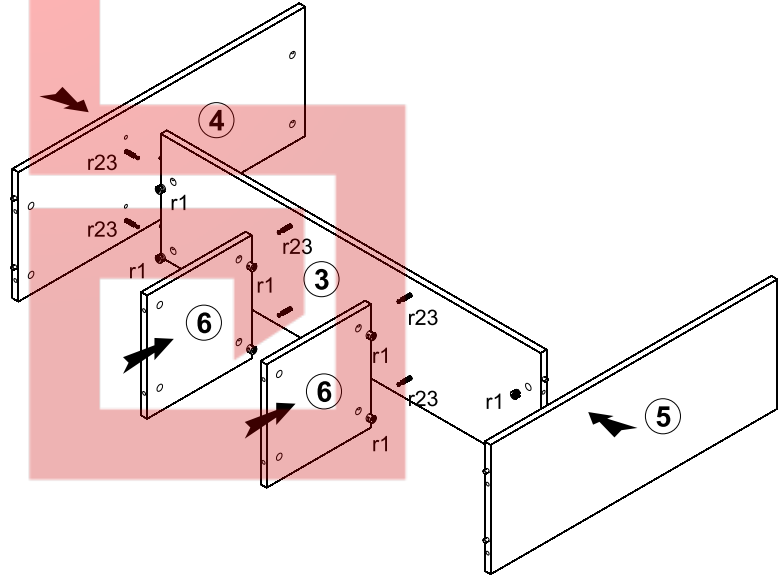
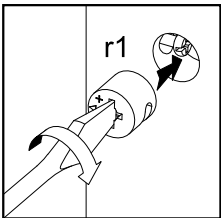
- 3x  a2
- 8x  l3 3 mm
- 1x  n3 50x12,1,5 mm
- 8x  p52  $\phi 3 \times 16$  mm
- 2x  p400  $\phi 3 \times 10$  mm



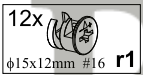
# 20

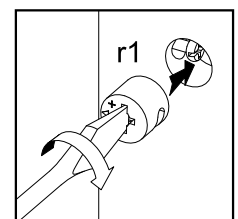
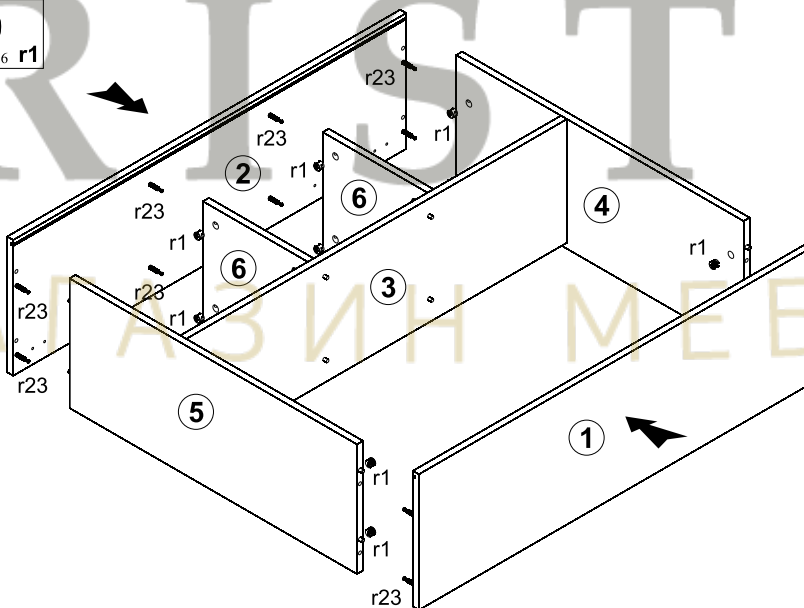


- 8x  r1  $\phi 15 \times 12$  mm #16

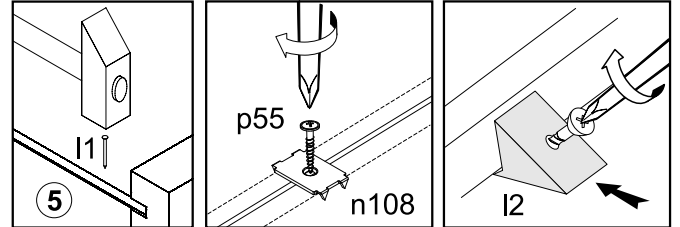
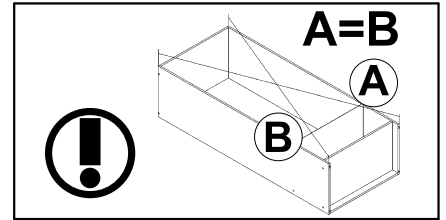
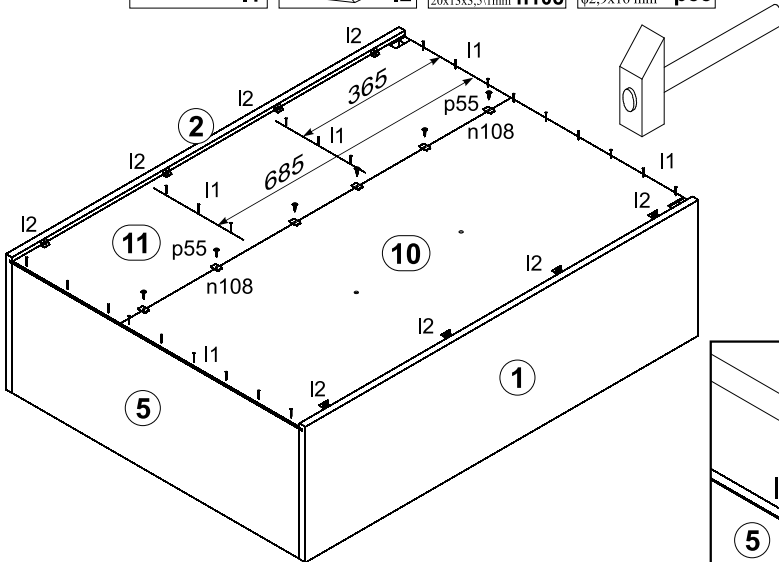
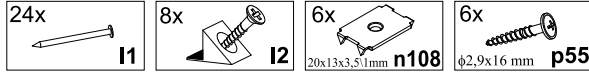


# 21

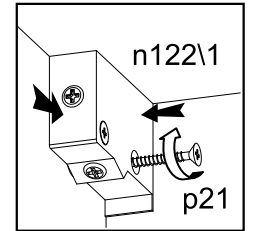
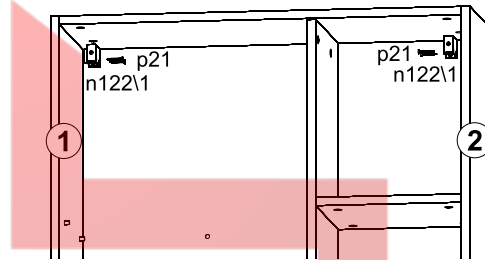
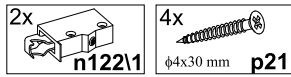
- 12x  r1  $\phi 15 \times 12$  mm #16



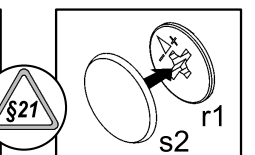
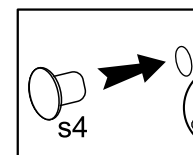
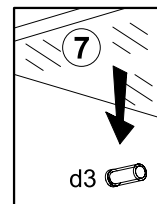
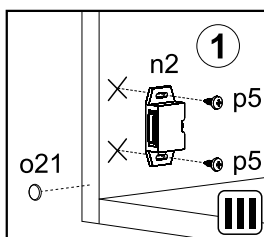
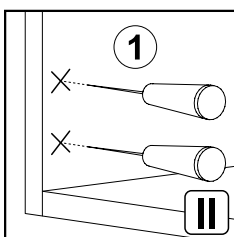
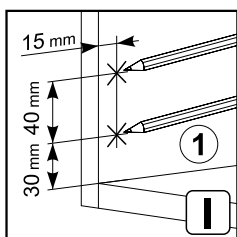
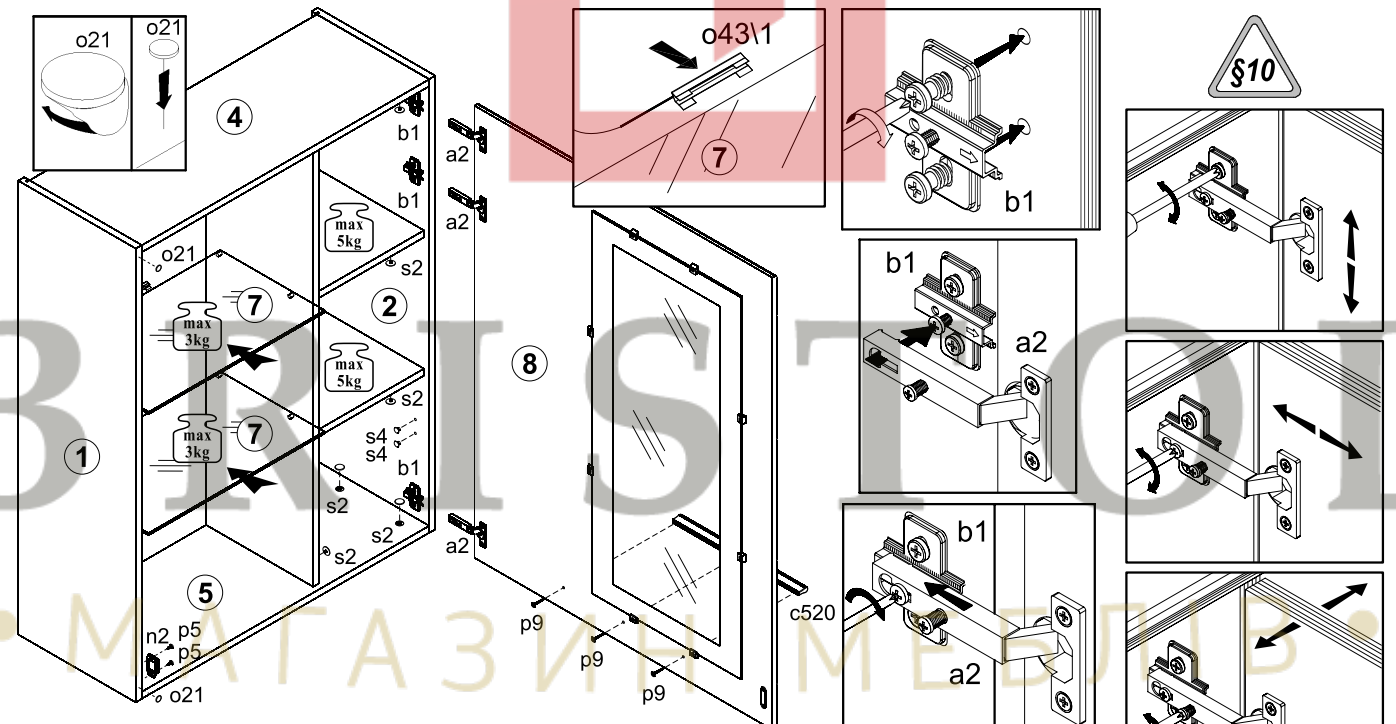
# 22



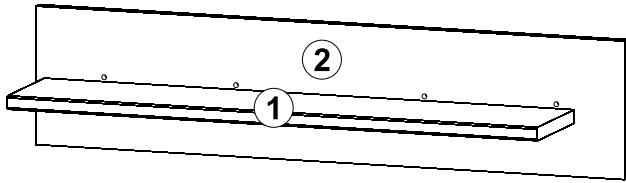
# 23



# 24



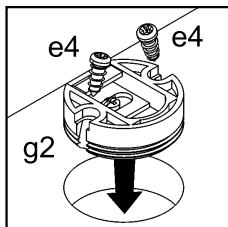
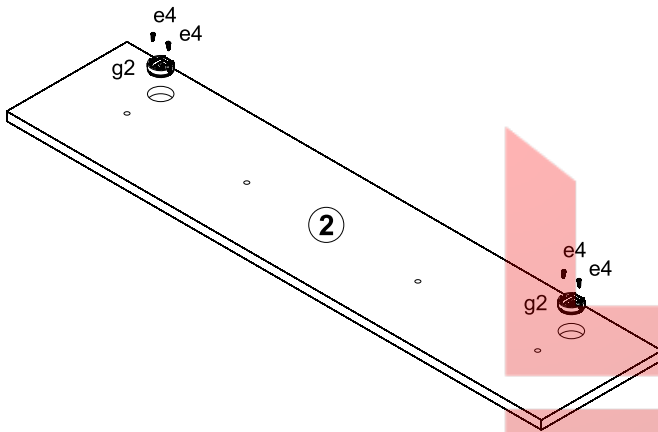
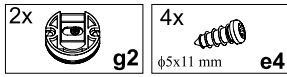
**V** Полиця / Полка



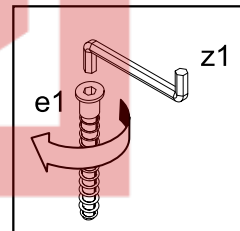
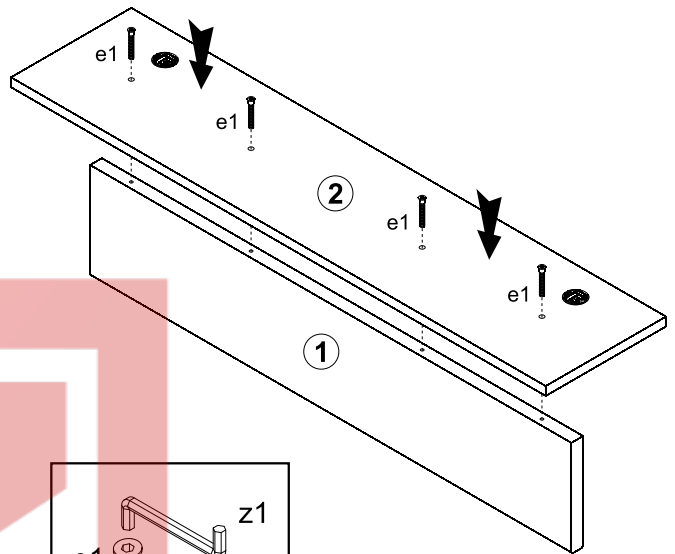
A	B	C	D
1	PU1-306	900	180
2	PU1-401	225	1000



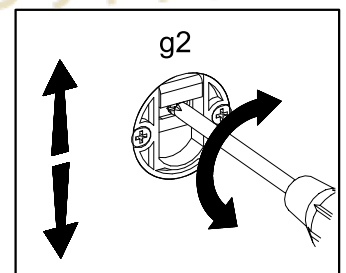
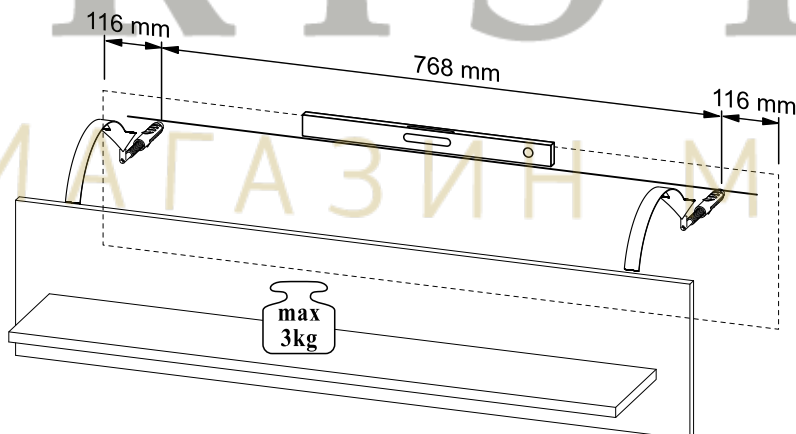
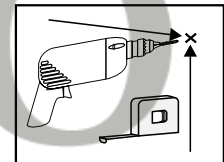
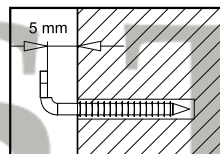
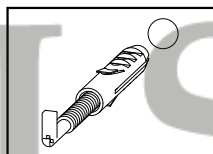
**25**



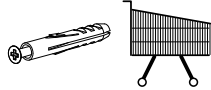
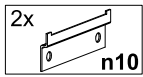
**26**



**27**



28



25 mm

64 mm

64 mm

25 mm

