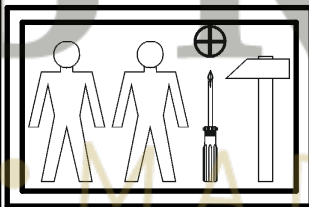
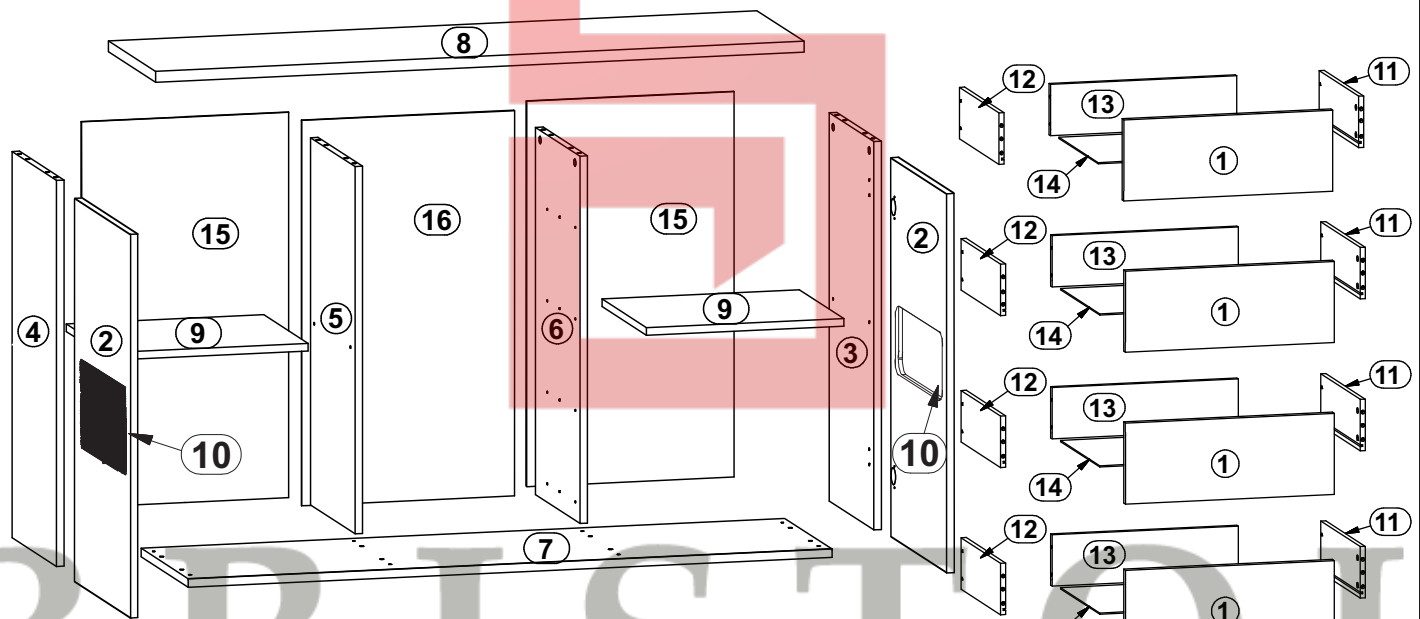
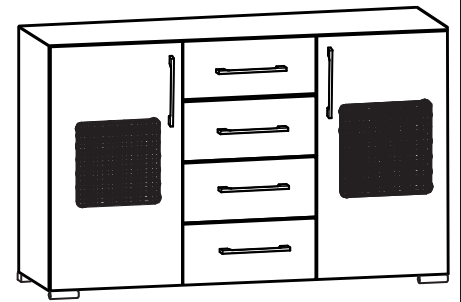
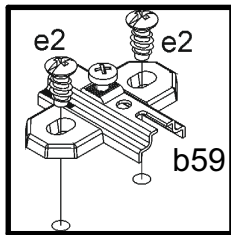
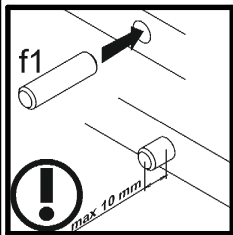
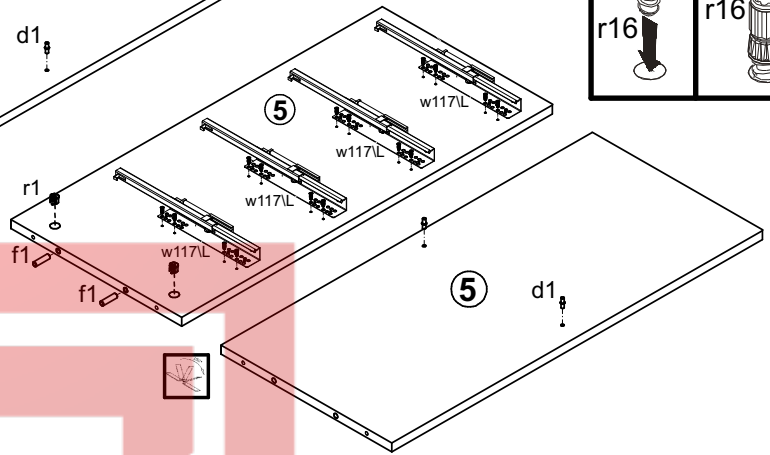
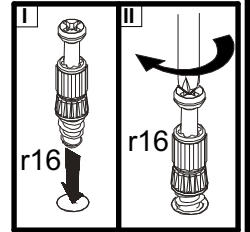
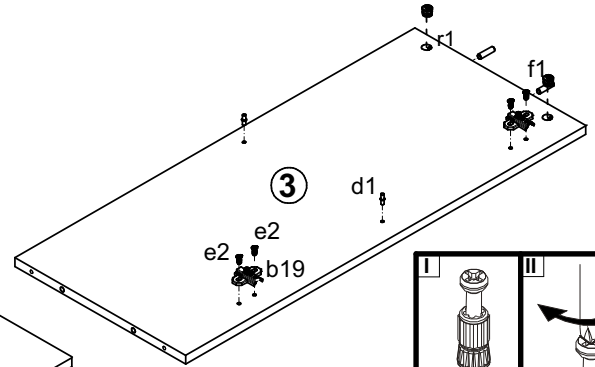
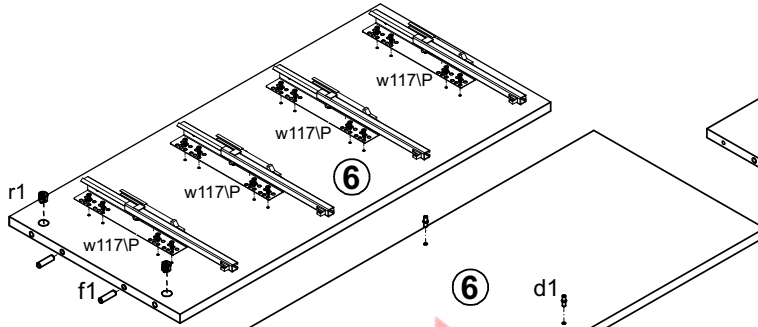
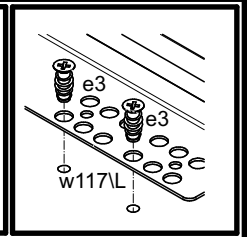
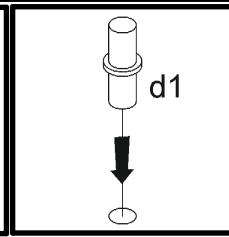
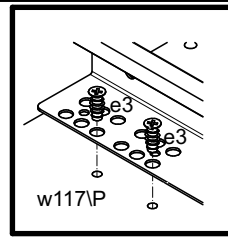
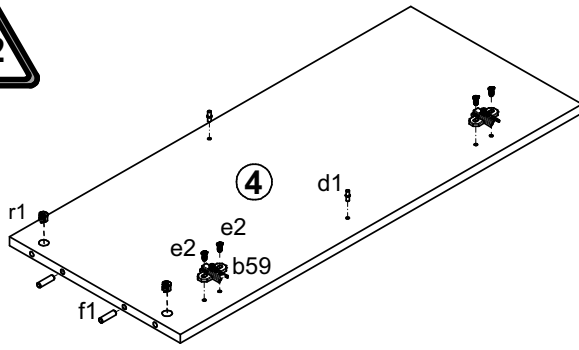


A	B	C		D
1	N45-006	446	200	3/3
2	N45-001	809	446	3/3
3	N45-106	815	390	1/3
4	N45-103	815	390	1/3
5	N45-104	815	370	1/3
6	N45-105	815	370	1/3
7	N45-206	1350	408	2/3
8	N45-205	1350	408	2/3
9	N45-301	425	360	2/3
10	N45-701	300	300	3/3
11	N45-502	350	105	2/3
12	N45-501	350	105	2/3
13	N45-505	393	91	2/3
14	N45-904	407	358	1/3
15	N45-903	825	438	1/3
16	N45-905	825	450	1/3

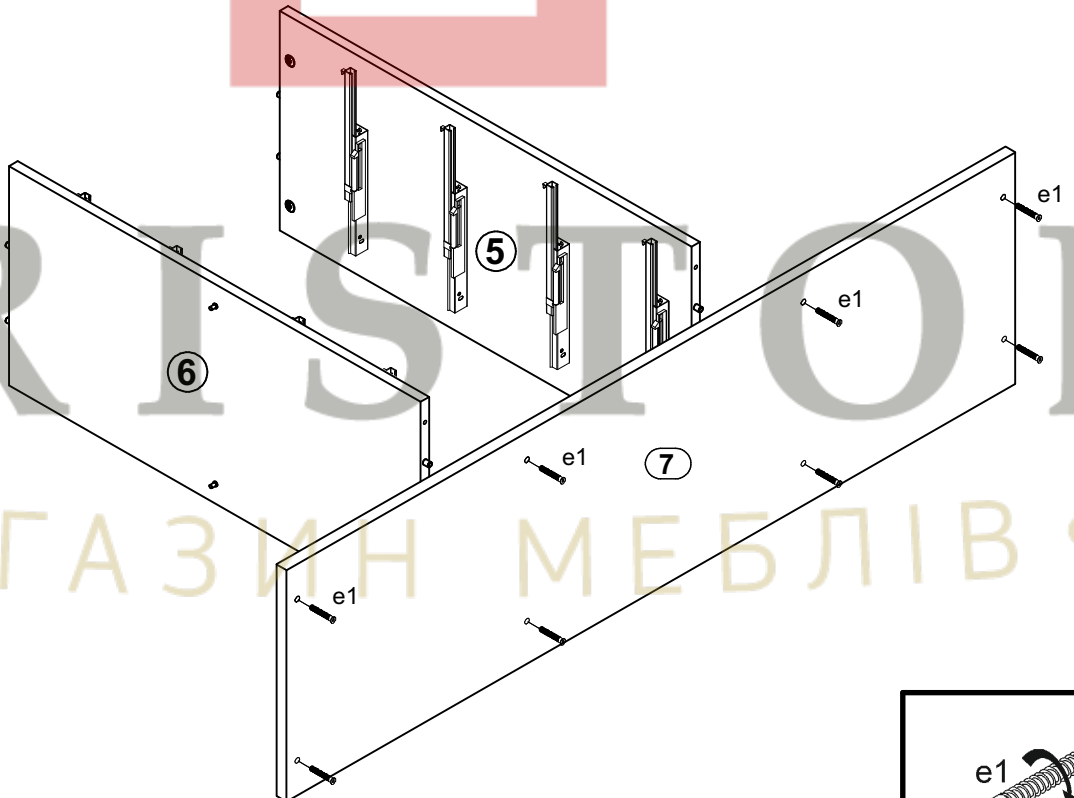


4x a102	4x b59	8x d1 φ5x17 mm	24x e1 φ7x50 mm	32x e3 φ8x13 mm	24x f1 φ8x30 mm	2x k84	4x k85	8x p6 φ4x35 mm
1x n2611	31x p38 φ3.5x16 mm	8x p51 φ3.5x15 mm	24x r1 φ1.5x12mm #16	24x r42	20x l2	12x n108 20x13x3.5/1	20x p55 φ2.9x16 mm	1x z1
4x 50 mm W117/L	4x 50 mm W117/P	6x c280 128 mm	12x j8 M4x25 mm	1x f35 φ10x50mm	1x p17 φ5x60mm	20x s2 φ16		

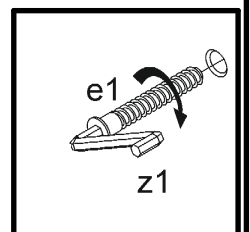
1  §2



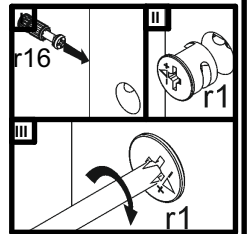
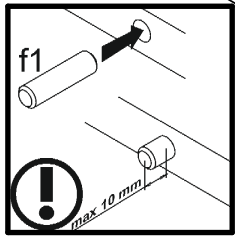
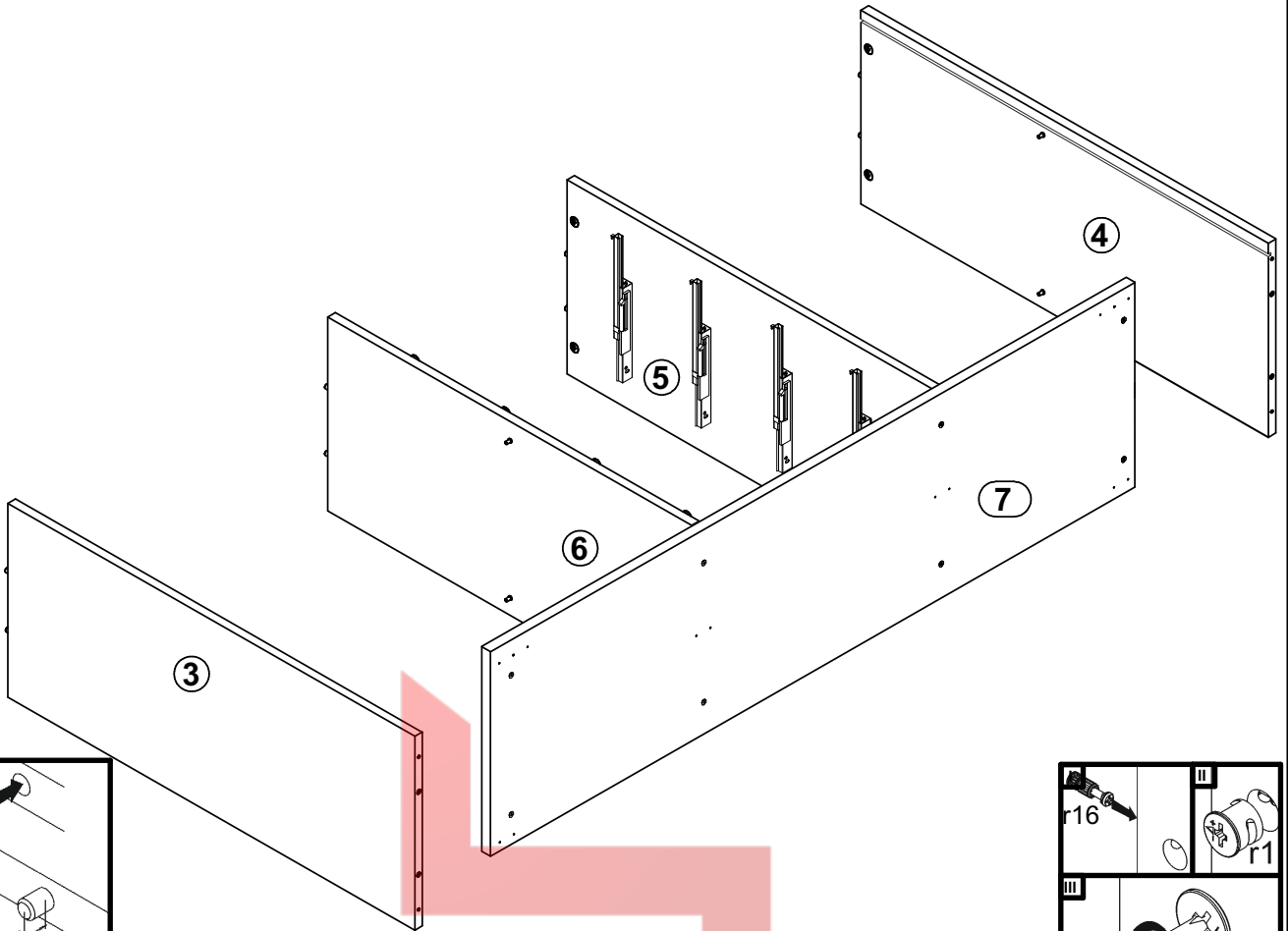
2  §6



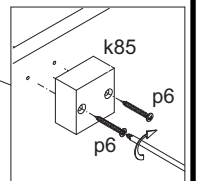
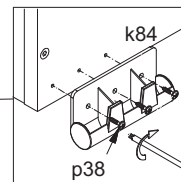
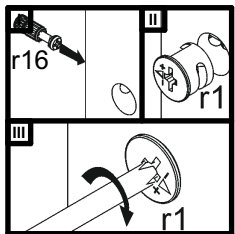
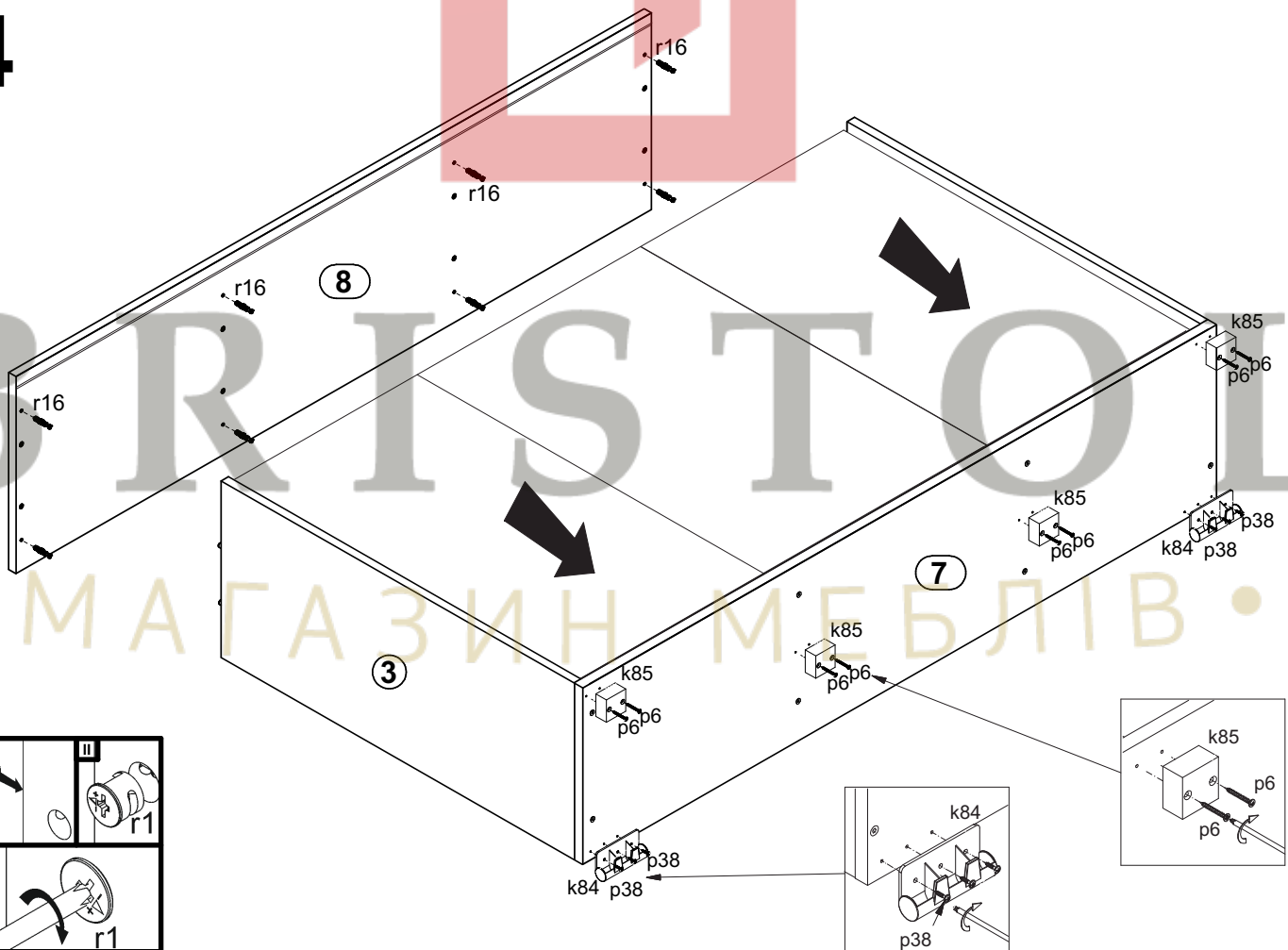
7



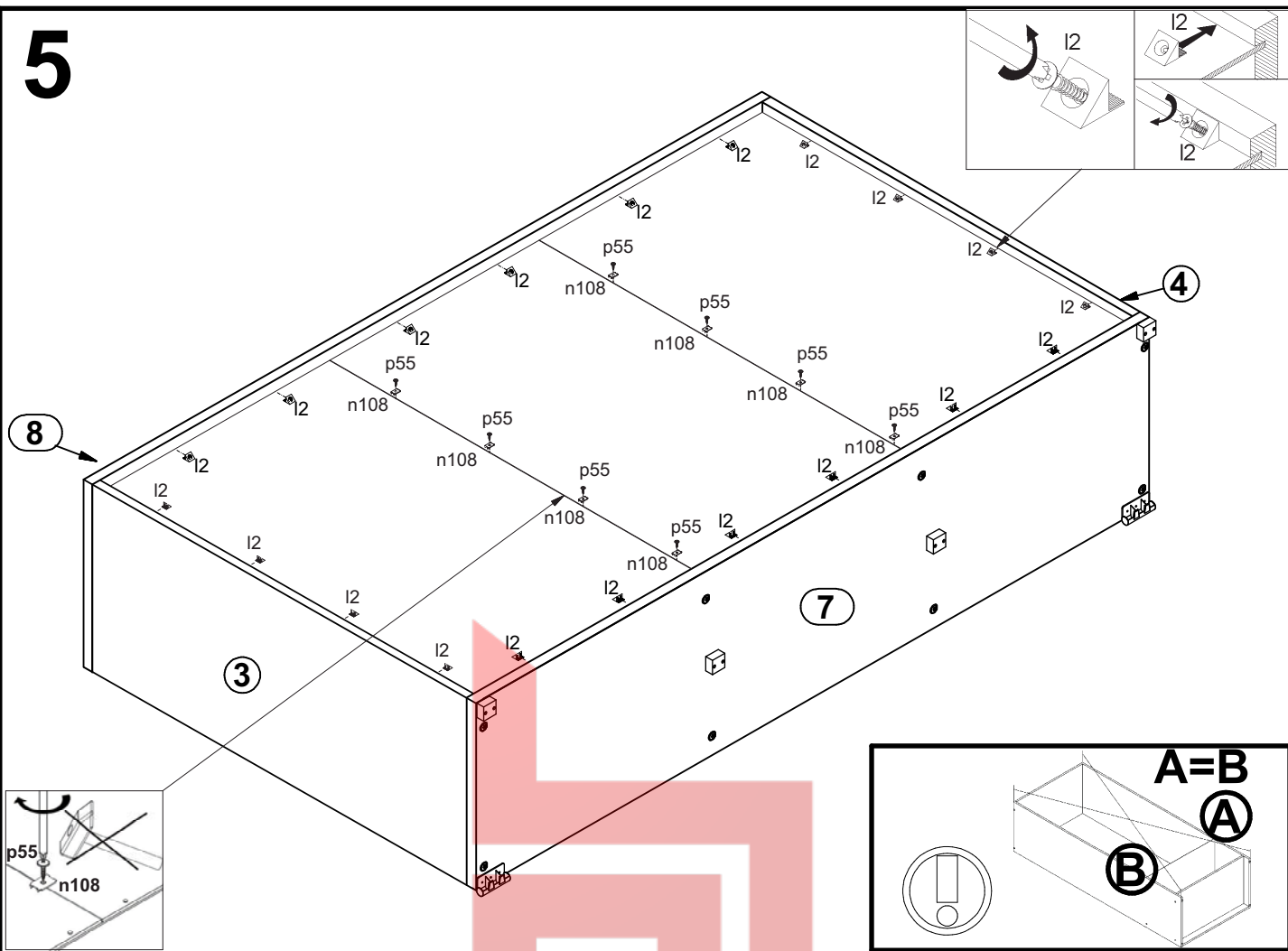
3



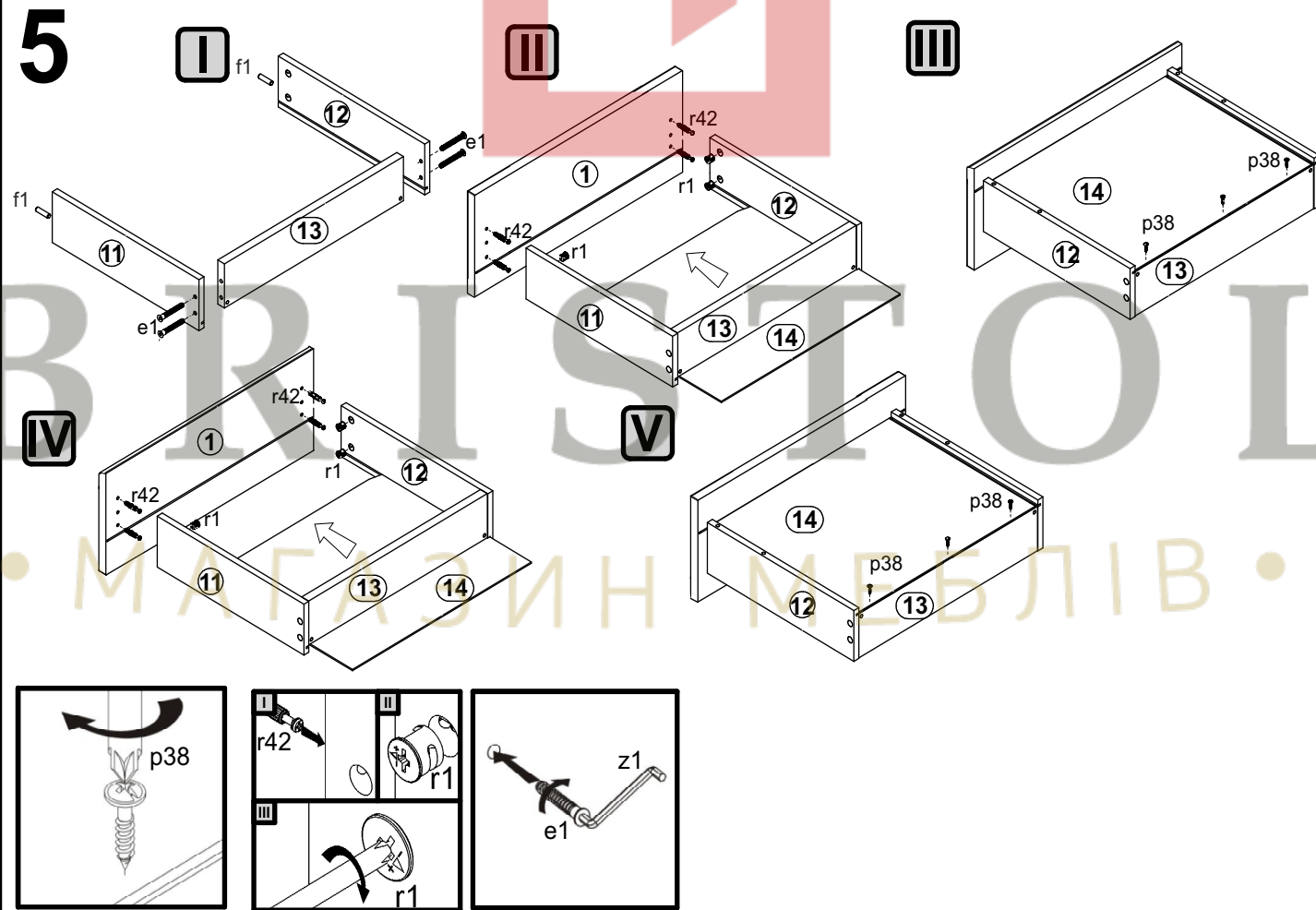
4



5



5



6

