

КОЕН

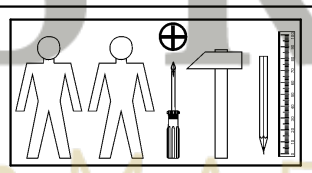
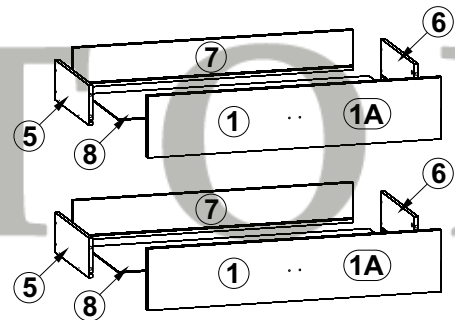
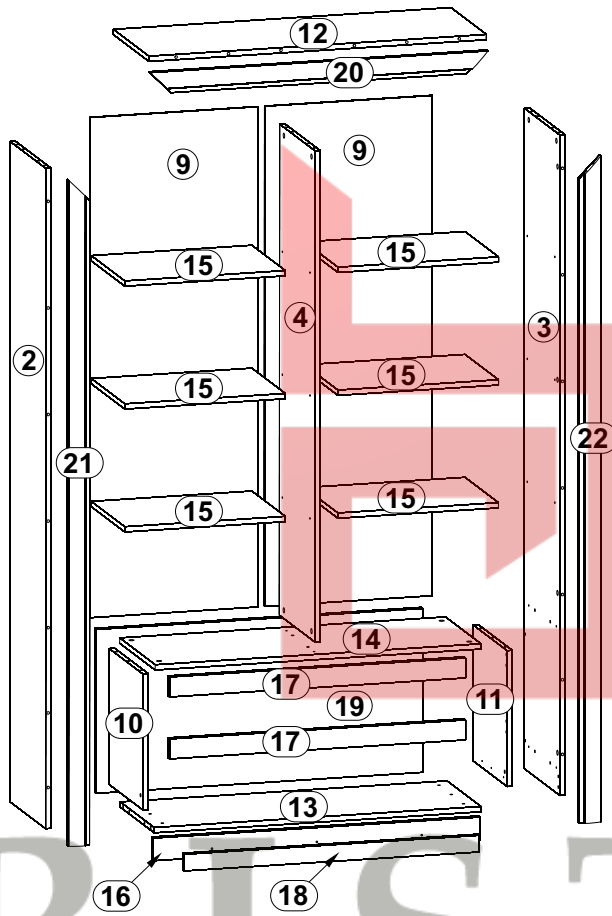
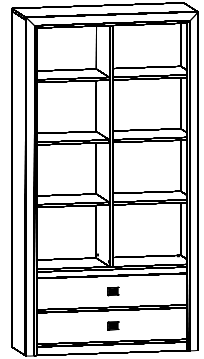
Стелаж відкритий / Стеллаж открытый REG2S(N)

| A | B | C | D | |
|----|-----------|------|-----|-----|
| 1 | S136-002 | 896 | 185 | 4/4 |
| 1A | S136-002A | 896 | 185 | 4/4 |
| 2 | S136-174 | 1983 | 371 | 1/4 |
| 3 | S136-175 | 1983 | 371 | 1/4 |
| 4 | S136-178 | 1475 | 371 | 1/4 |
| 5 | S136-511 | 350 | 120 | 1/4 |
| 6 | S136-512 | 350 | 120 | 1/4 |
| 7 | S136-5556 | 854 | 120 | 2/4 |
| 8 | S136-911 | 865 | 348 | 1/4 |
| 9 | S136-927 | 1502 | 511 | 1/4 |
| 10 | S136-176 | 408 | 354 | 2/4 |

→ Фасад ДСП
→ Фасад МДФ

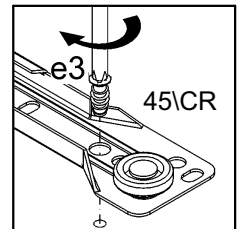
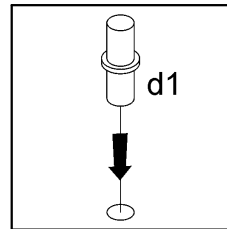
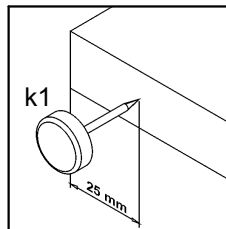
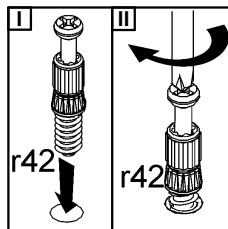
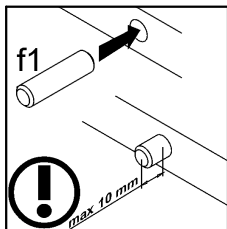
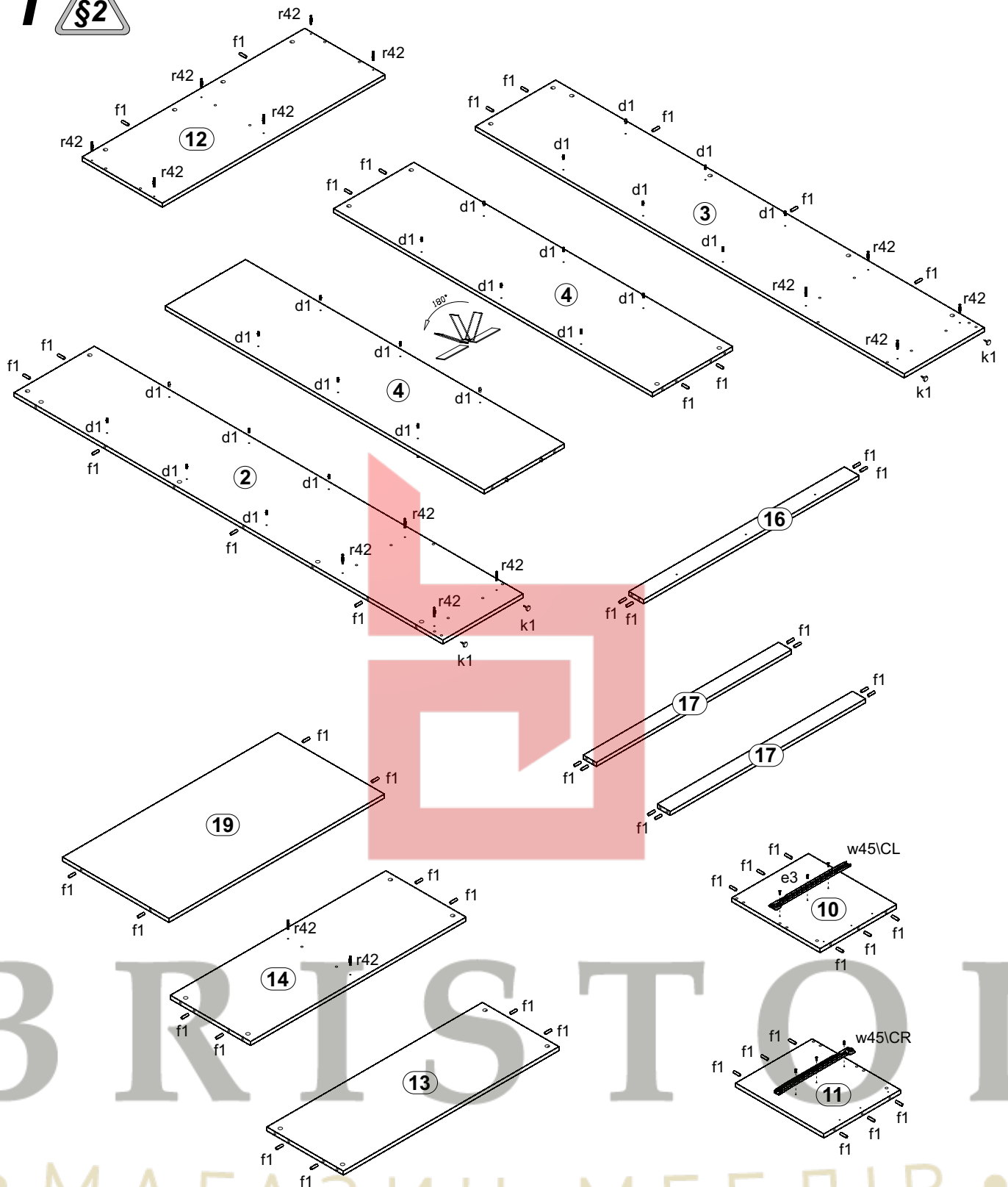


| A | B | C | D | |
|----|-----------|------|-----|-----|
| 11 | S136-177 | 408 | 354 | 2/4 |
| 12 | S136-210 | 1030 | 371 | 2/4 |
| 13 | S136-337 | 997 | 354 | 2/4 |
| 14 | S136-338 | 997 | 371 | 2/4 |
| 15 | S136-339 | 490 | 350 | 2/4 |
| 16 | S136-401 | 997 | 68 | 2/4 |
| 17 | S136-402 | 903 | 60 | 2/4 |
| 18 | S136-403 | 901 | 50 | 2/4 |
| 19 | S136-5569 | 997 | 492 | 2/4 |
| 20 | S136-573 | 1031 | 65 | 3/4 |
| 21 | S136-571 | 2000 | 65 | 3/4 |
| 22 | S136-572 | 2000 | 65 | 3/4 |

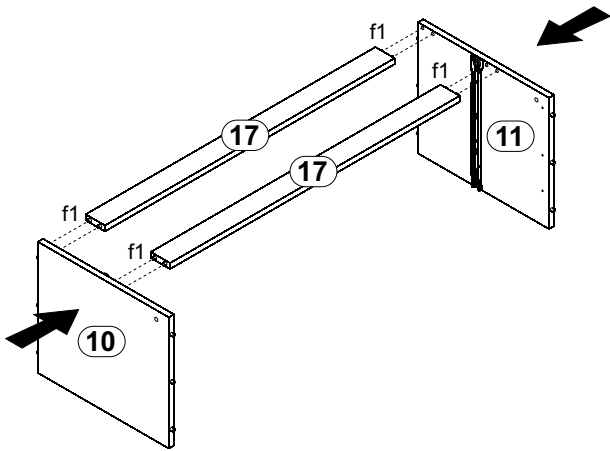
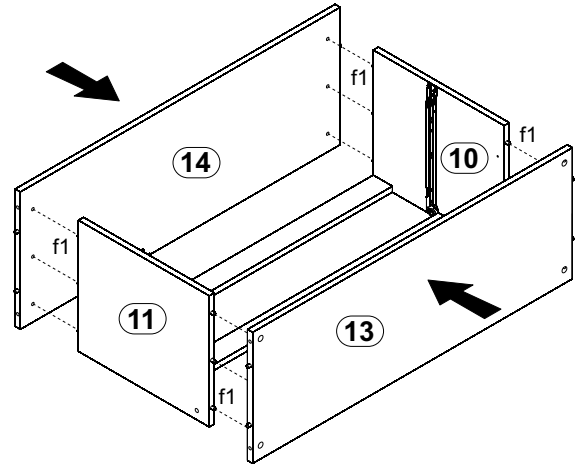
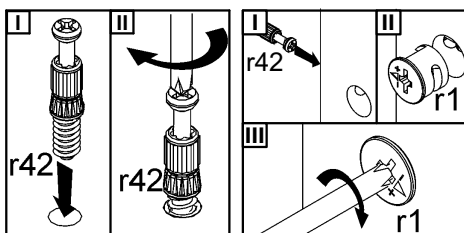
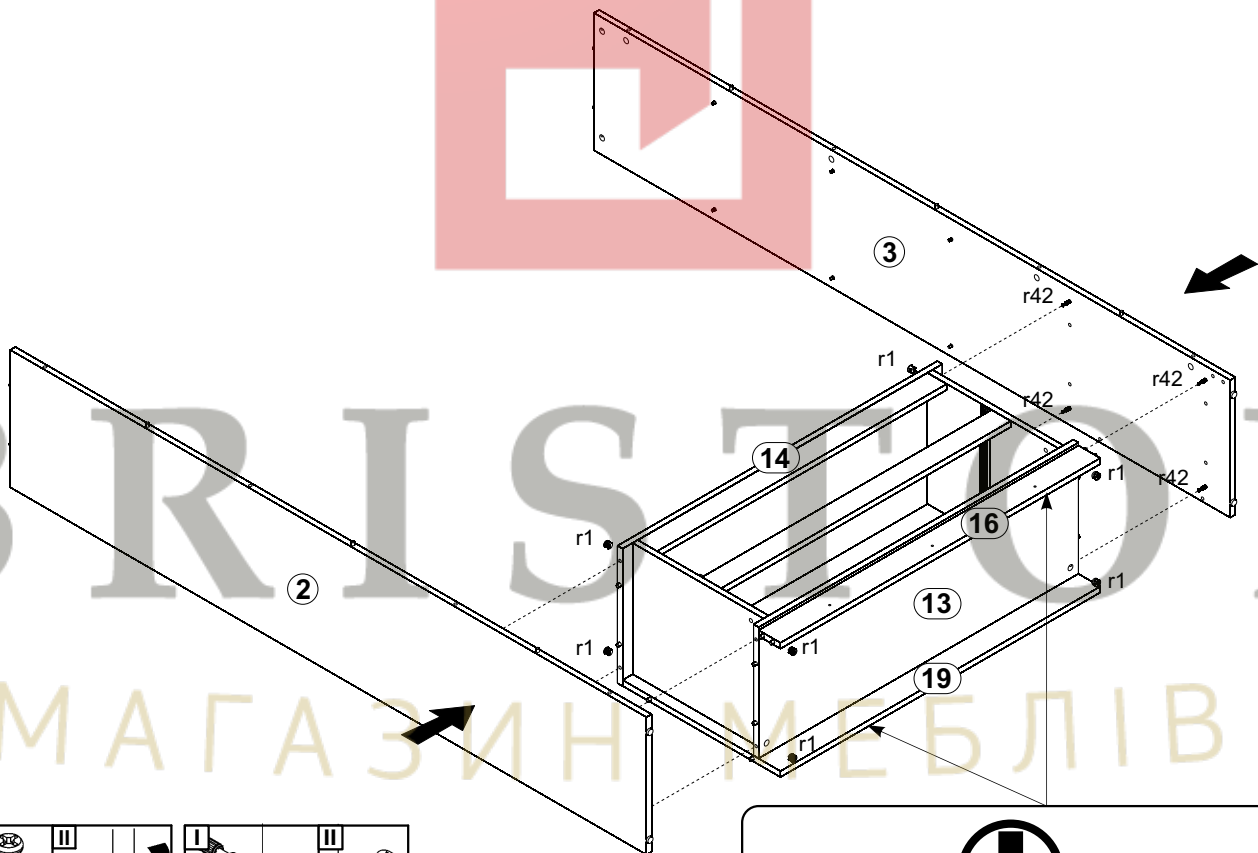


| | | | | | | | | |
|-----------------------------|-----------------------------|----------------------------|----------------------------|-------------------------------|---------------------------|---------------------------------|-------------------------|----------------------|
| 2x c317 | 24x φ5x17 mm d1 | 12x φ6x13 mm e3 | 8x φ5x50 mm e32 | 54x φ8x30 mm f1 | 4x M4x22 mm j30 | 6x k1 | 96x l1 | 1x n2611 |
| 4x φ3,5x16 mm p25 | 1x φ3,5x16 mm p38 | 8x φ3x12 mm p54 | 3x φ4x28 mm p94 | 32x φ15x12mm #16 r1 | 2x r10 | 8x φ12x10,5mm #12 r15 | 36x 20/11 r42 | 12x φ16 s2 |
| 2x 333 mm t19 | 2x 350 mm w45\CL | 2x 350 mm w45\CR | 2x 350 mm w45\DL | 2x 350 mm w45\DR | | | | |

1



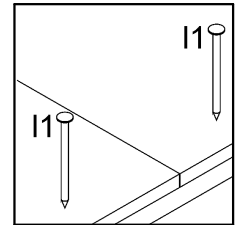
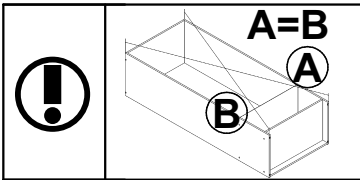
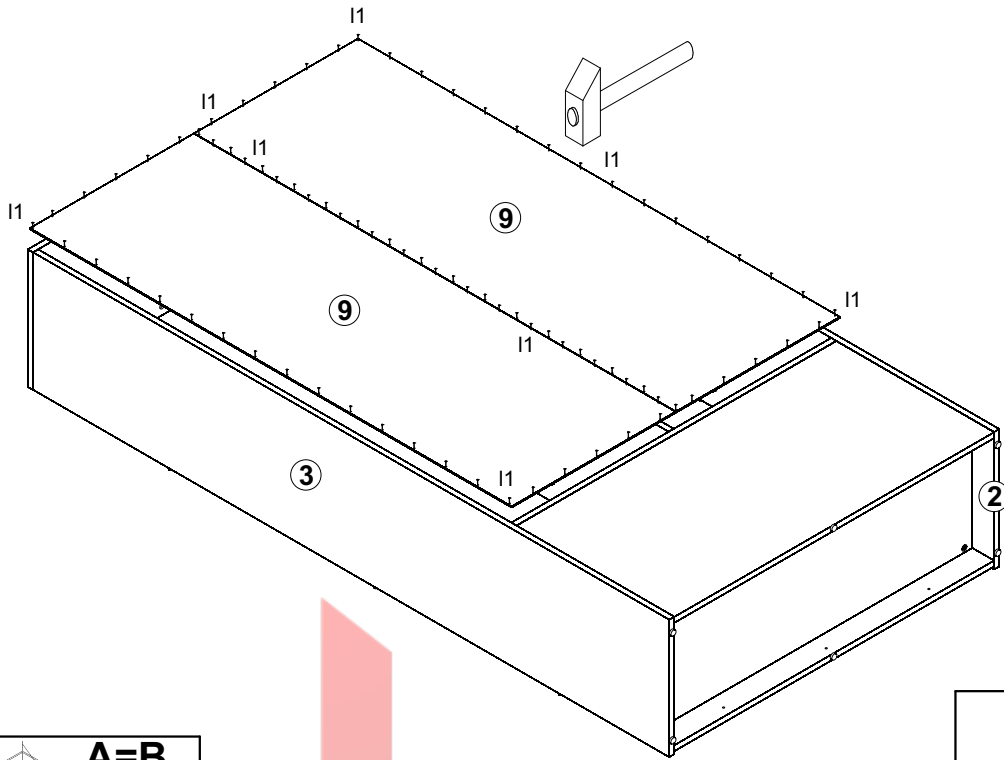
В R I S T O L
 МАГАЗИН МЕБЛІВ

2**3****4**

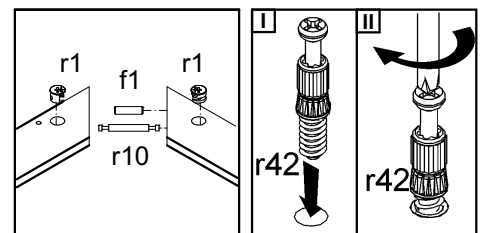
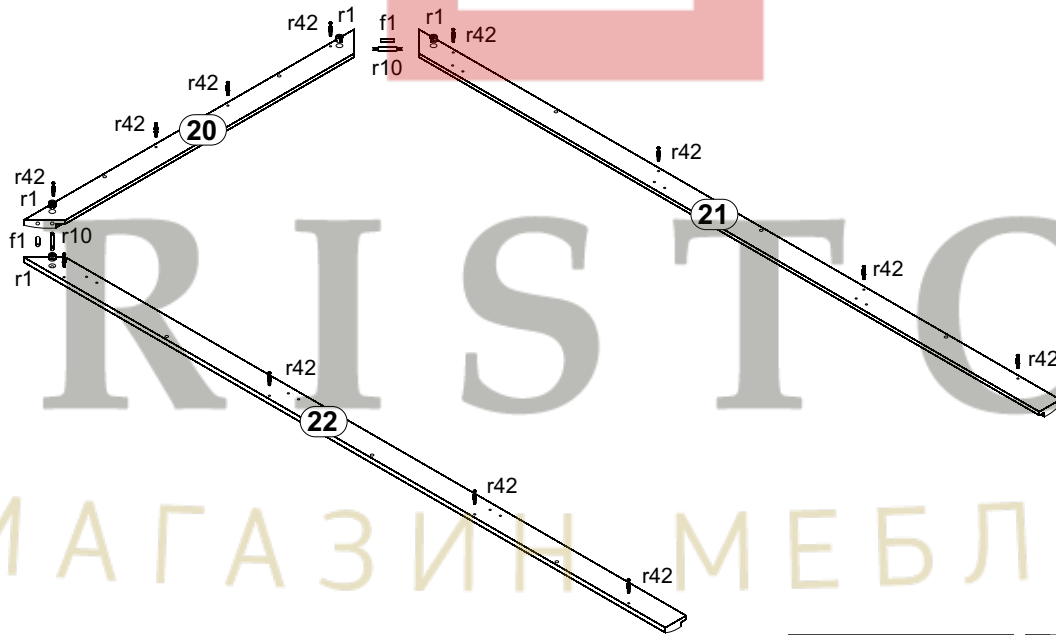


**Поверхня обклеєна!
Поверхность оклеена!**

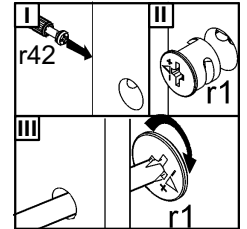
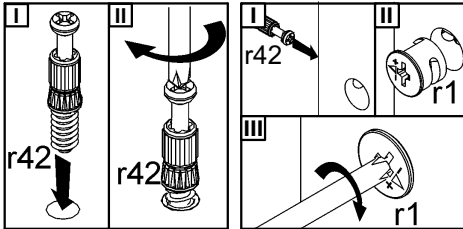
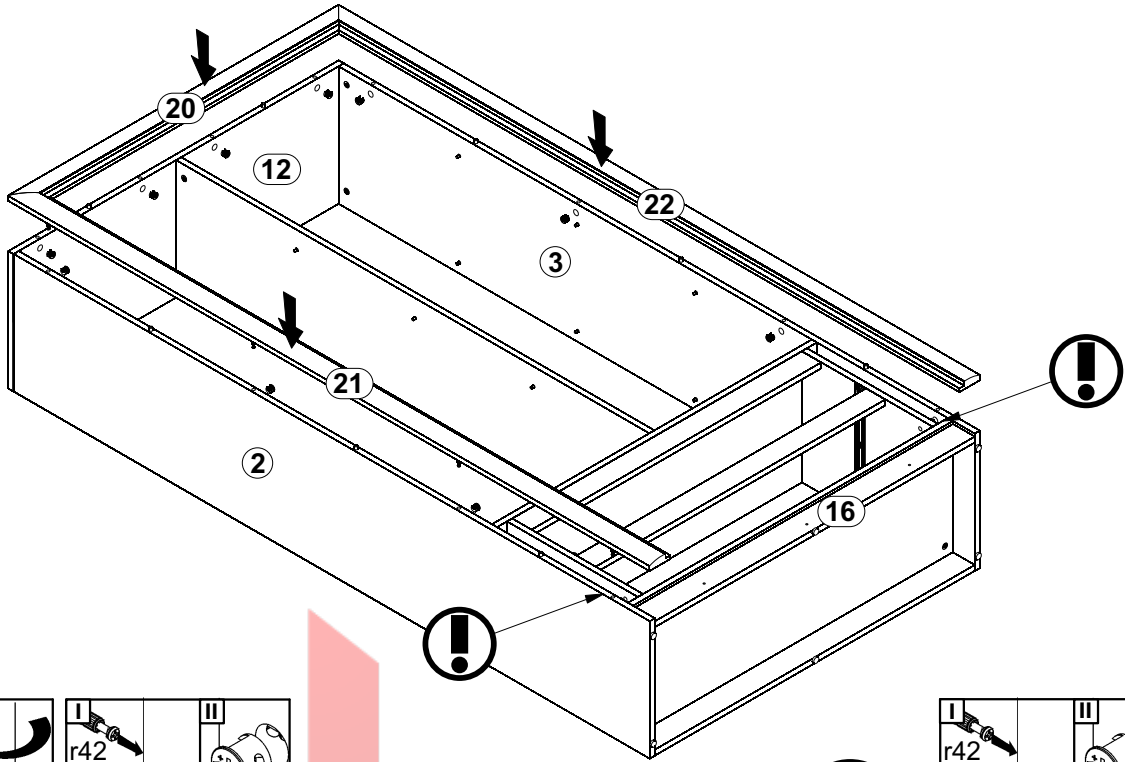
7



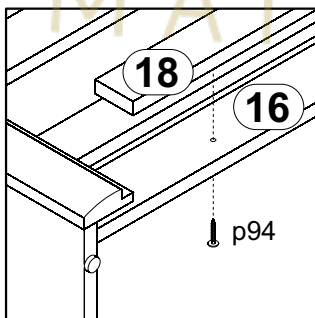
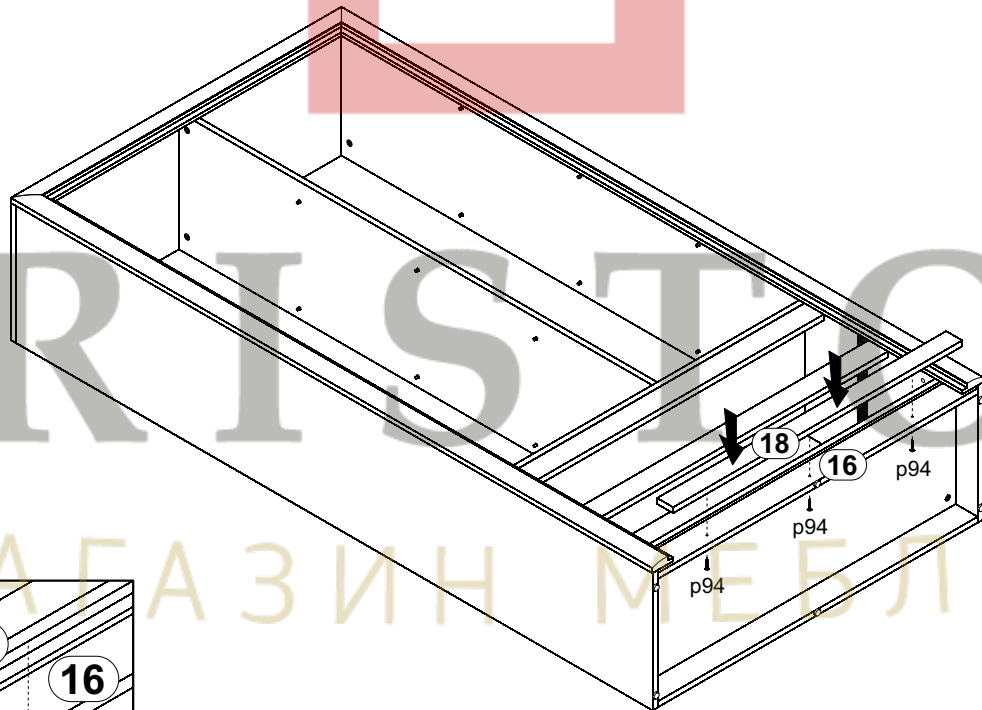
8



9

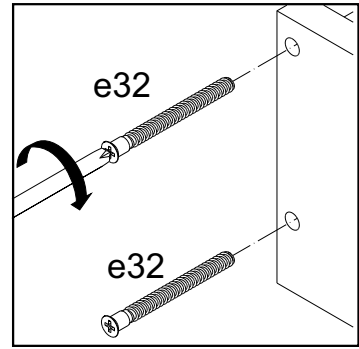
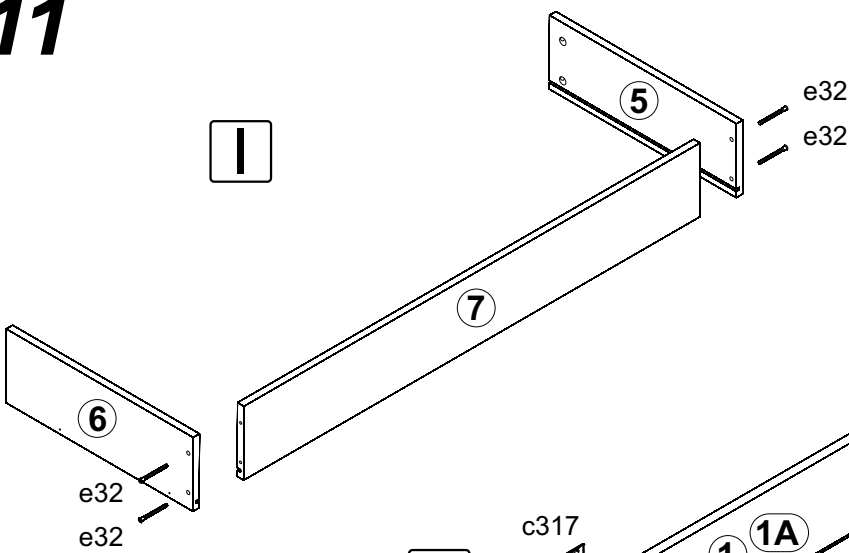


10

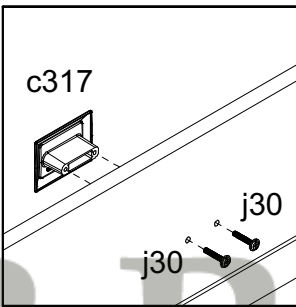
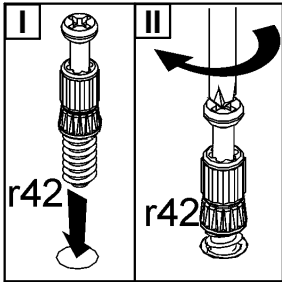
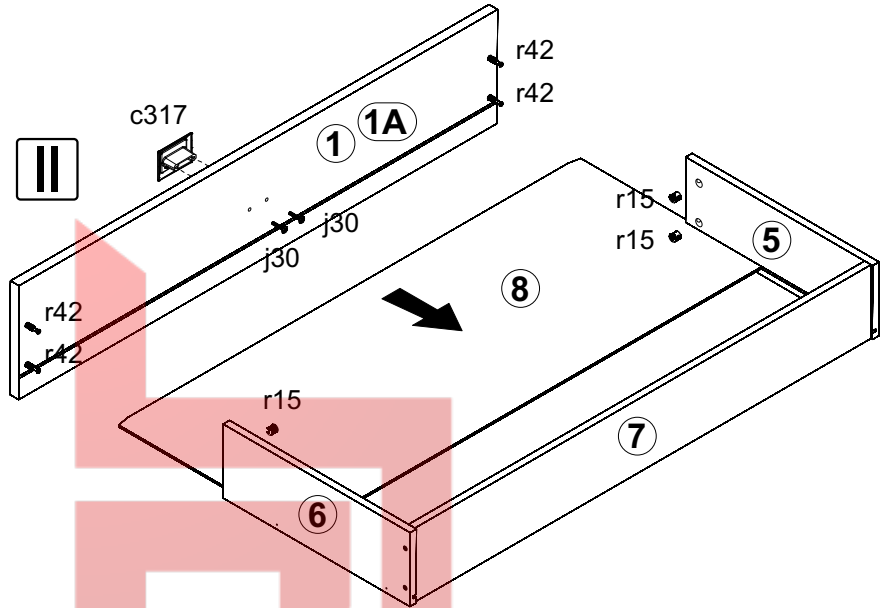


11

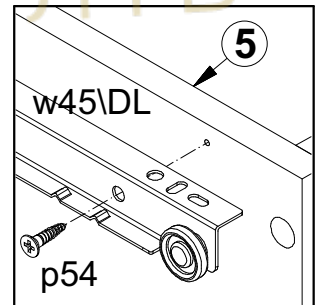
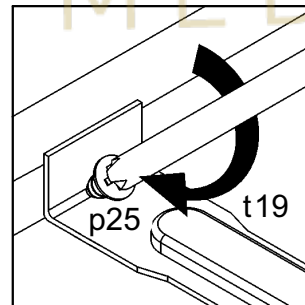
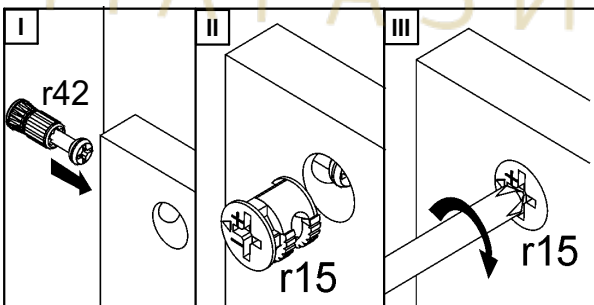
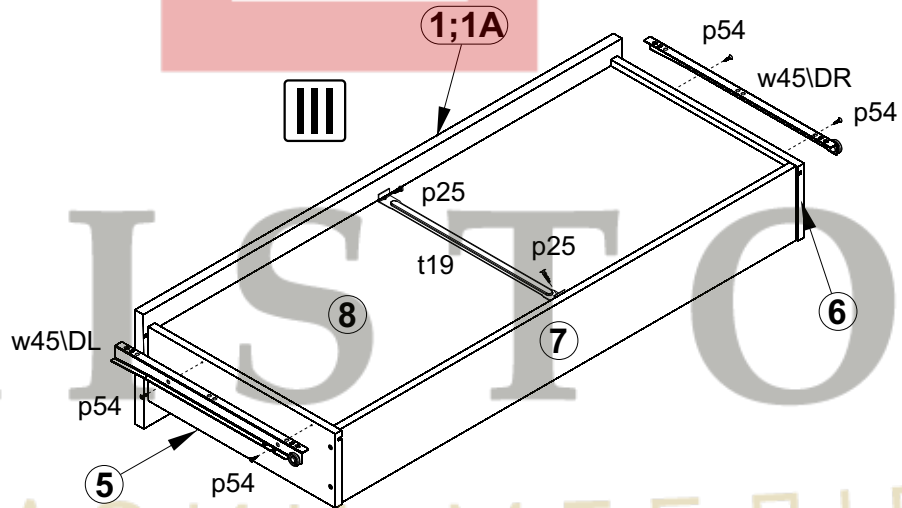
I



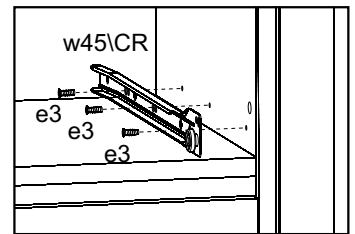
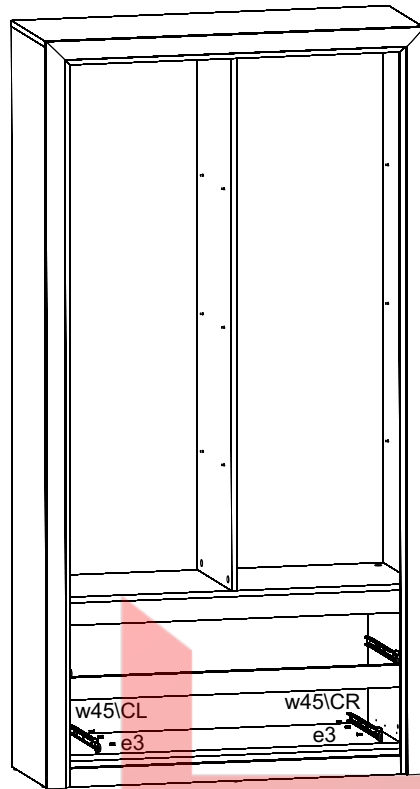
II



III



12



13

