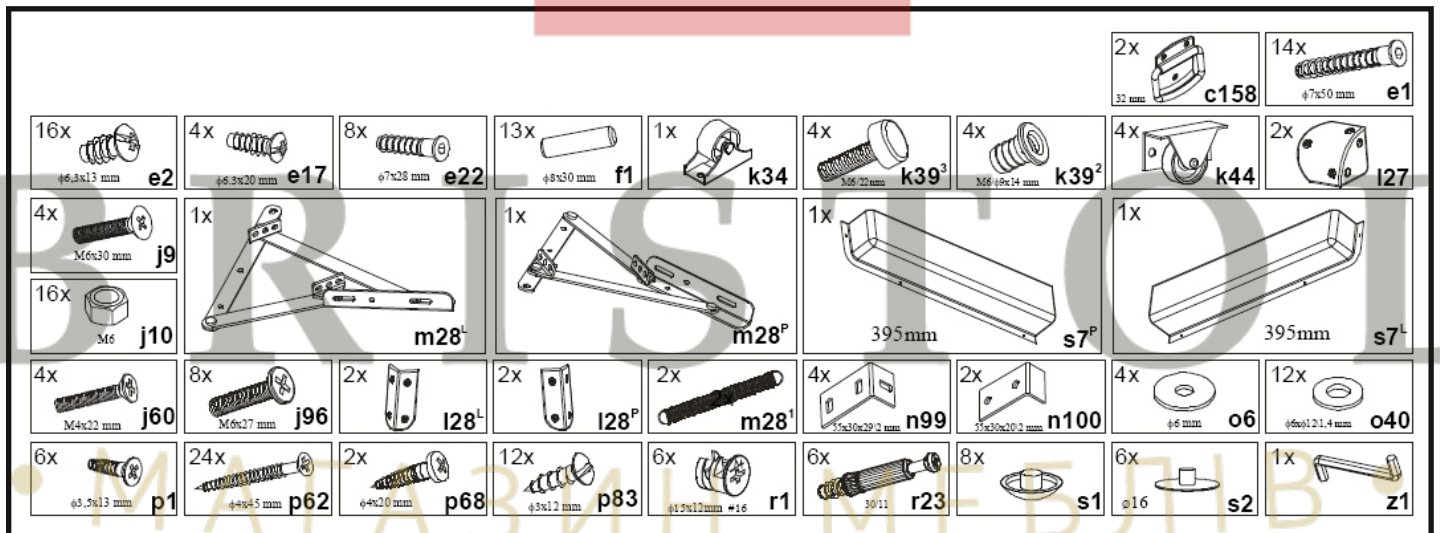
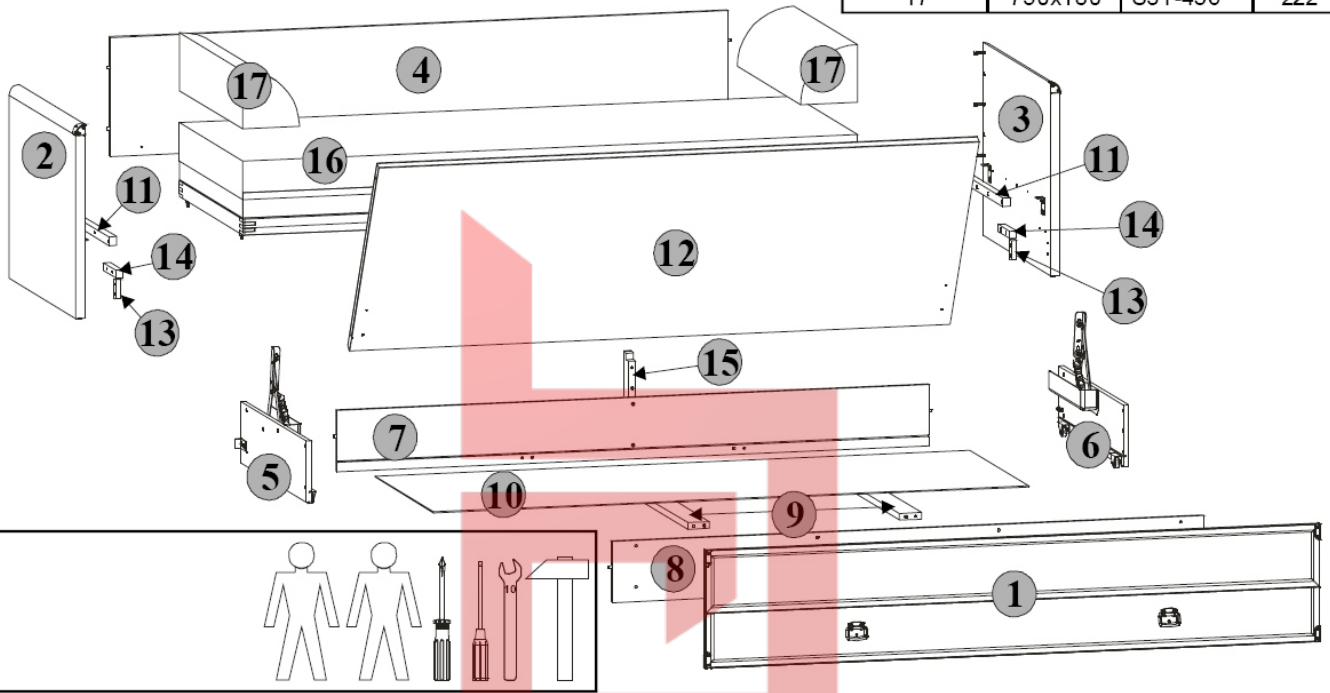


INDIANA

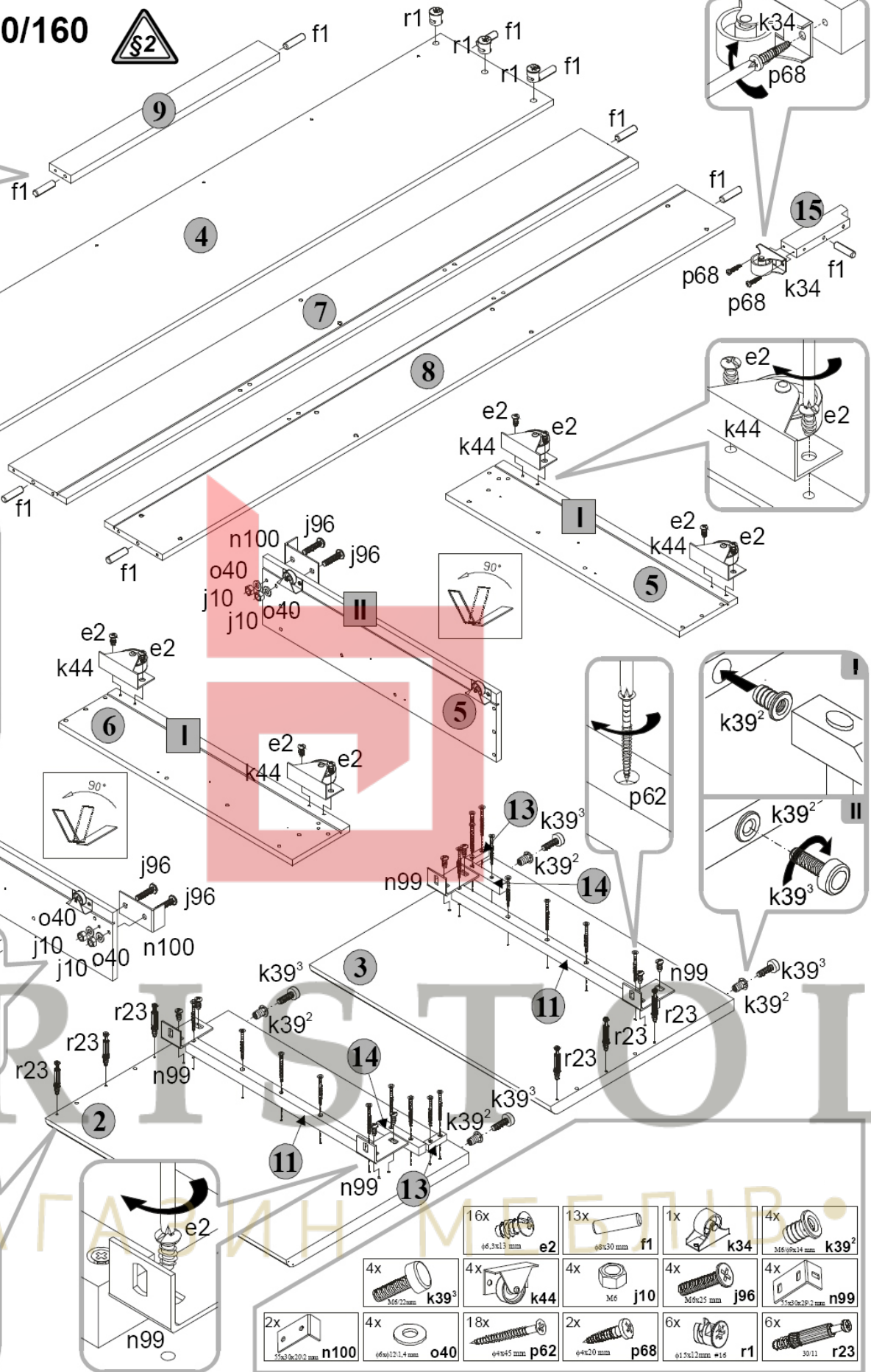
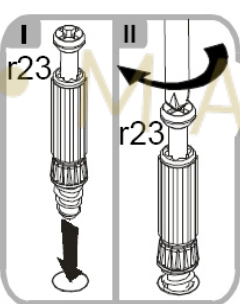
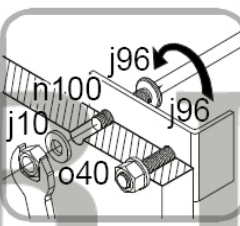
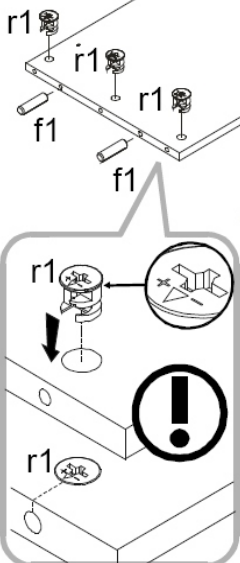
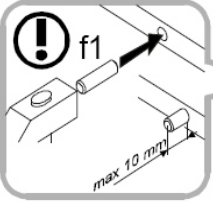
JLOZ 80/160



A	C	B	D	A	C	B	D
1	1948x365	S31-036	4z4	9	684x70	S31-418	3z4
2	790x600	S31-034/A	1z4	10	1888x694	S31-905	3z4
3	790x600	S31-035/A	1z4	11	600x27	S31-419	3z4
4	1960x370	S31-413	2z4	12	1896x712	S31-420/B	3z4
5	767x190	S31-414 A	2z4	13	60x17	S31-421	3z4
6	767x190	S31-415 A	2z4	14	140x23	S31-423	3z4
7	1878x190	S31-416 A	2z4	15	198x52	S31-424	3z4
8	1878x190	S31-417	2z4	16	1950x1500	S31-422	1z2
				17	750x180	S31-456	2z2

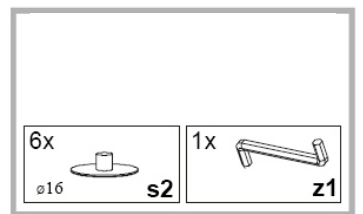
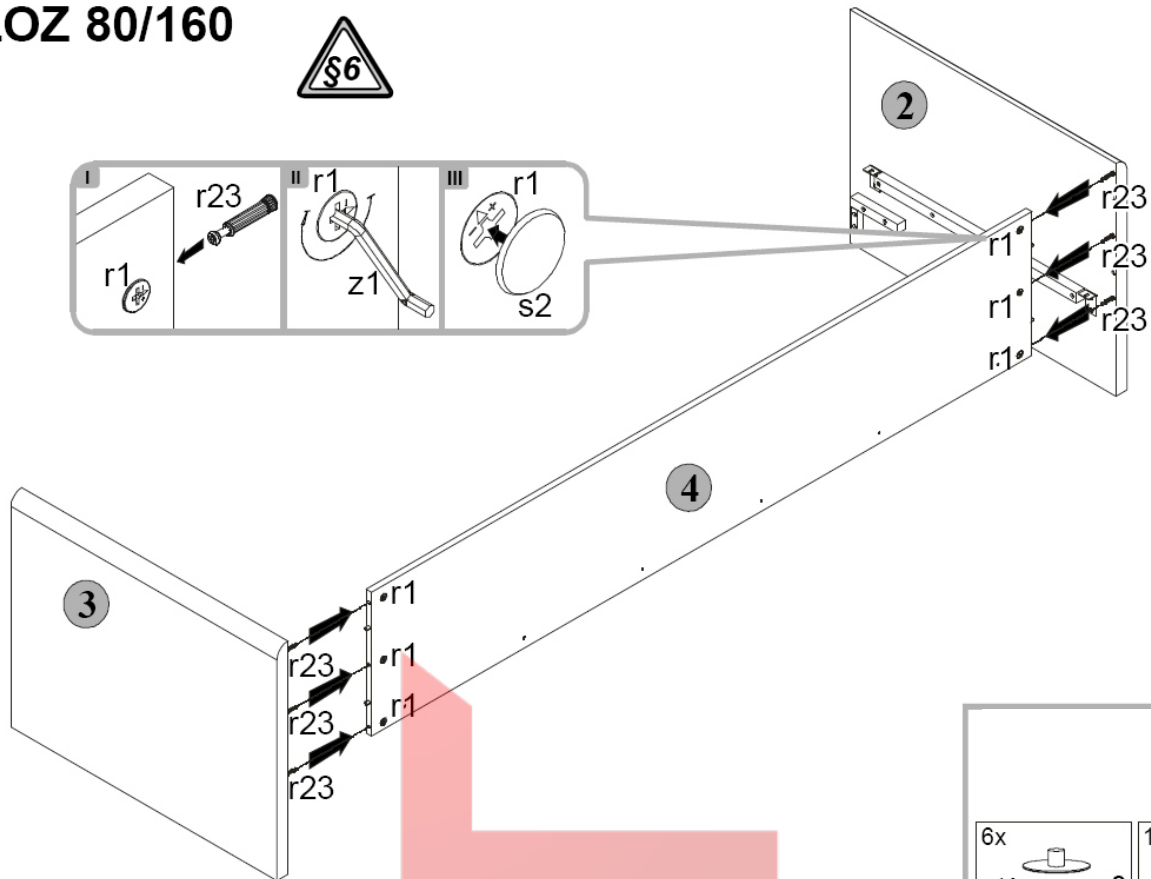
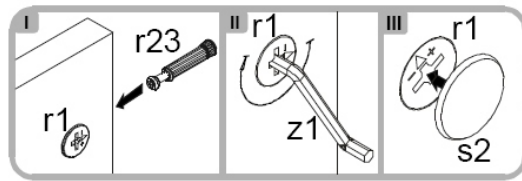


1 JLOZ 80/160

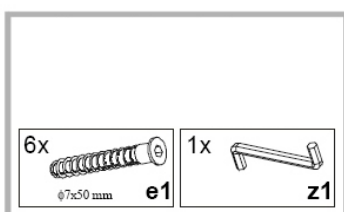
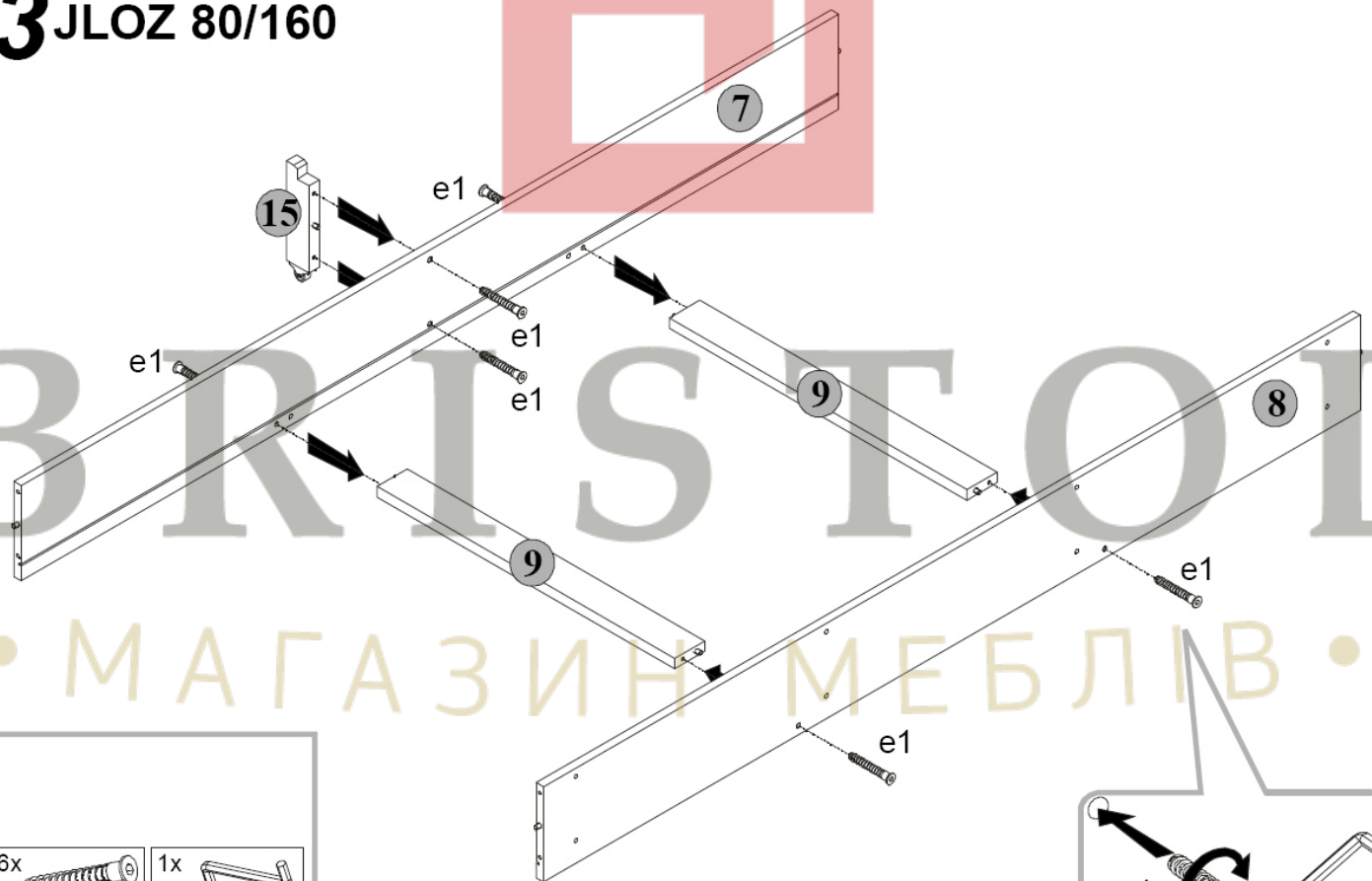


16x ø6.3x13 mm e2	13x ø8x30 mm f1	1x k34 M6 ø8x14 mm	4x k39 ² M6 ø8x14 mm
4x k39 ³ M6 ø25 mm	4x j10 M6	4x j96 M6 ø25 mm	4x n99 15x ø20x2 mm
2x n100 15x ø20x2 mm	4x o40 ø6xø12x1.4 mm	18x p62 ø4x45 mm	2x p68 ø4x20 mm
6x r1 ø1.5xø1.2 mm #16	6x r23 30 11		

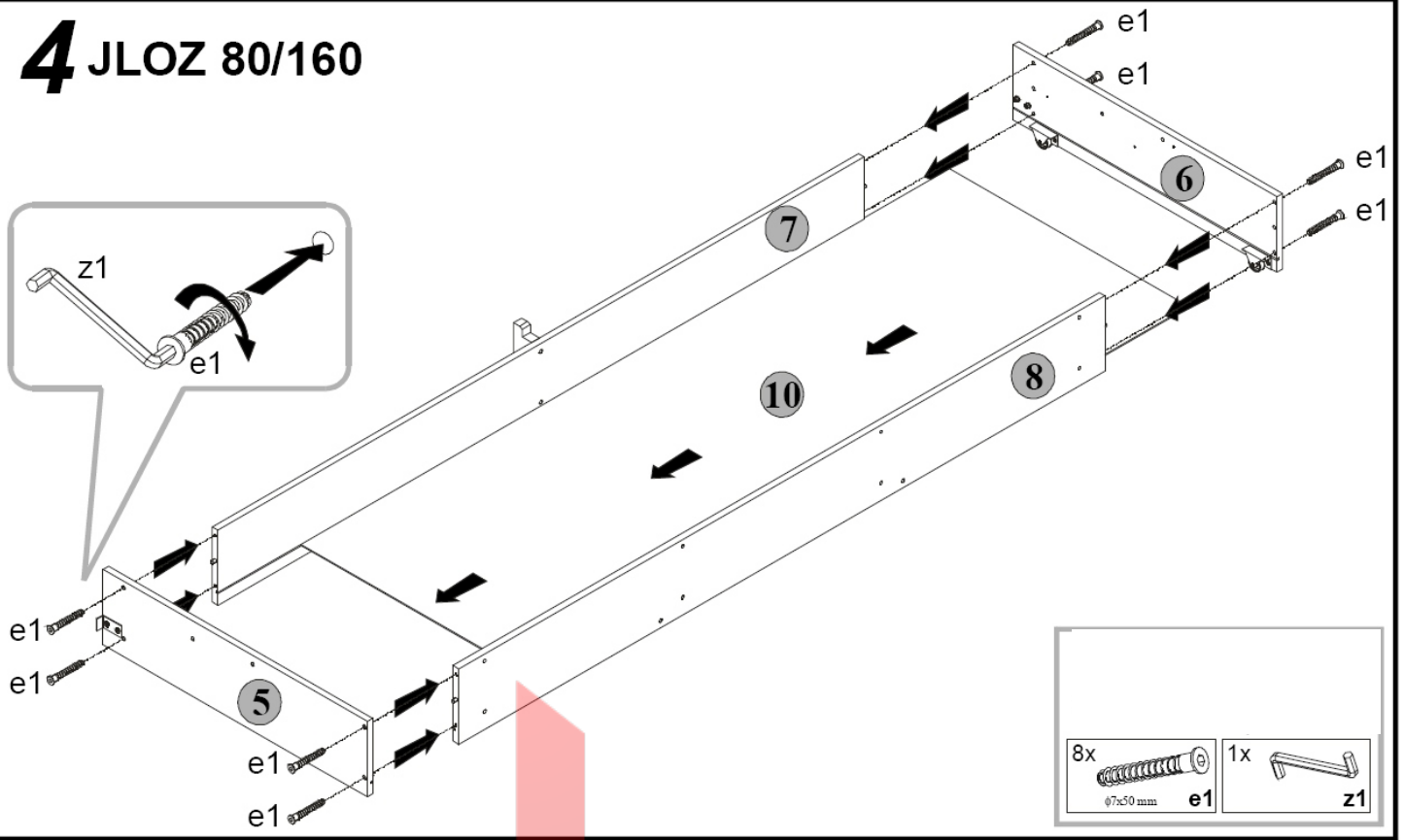
2 JLOZ 80/160



3 JLOZ 80/160

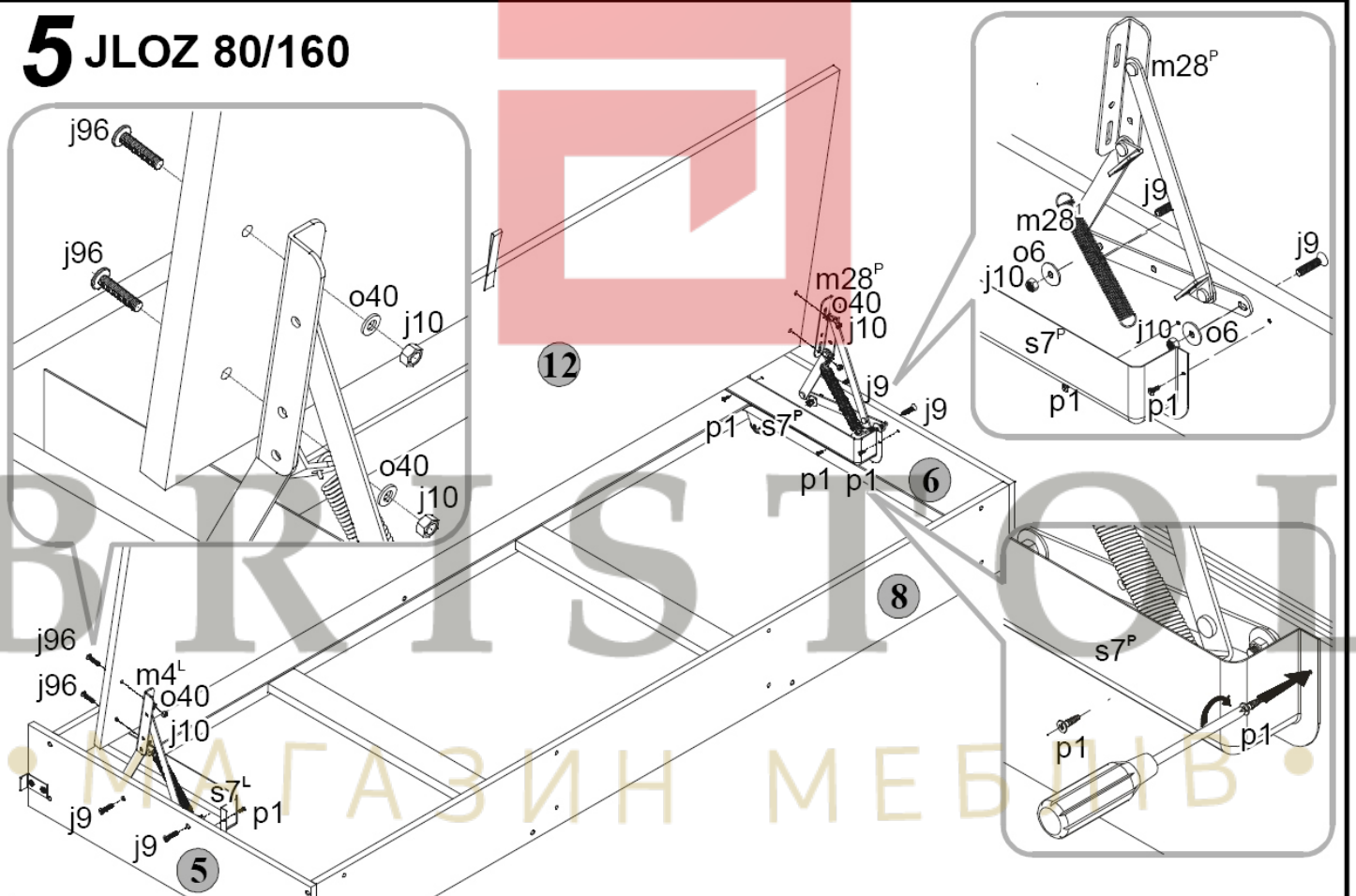


4 JLOZ 80/160



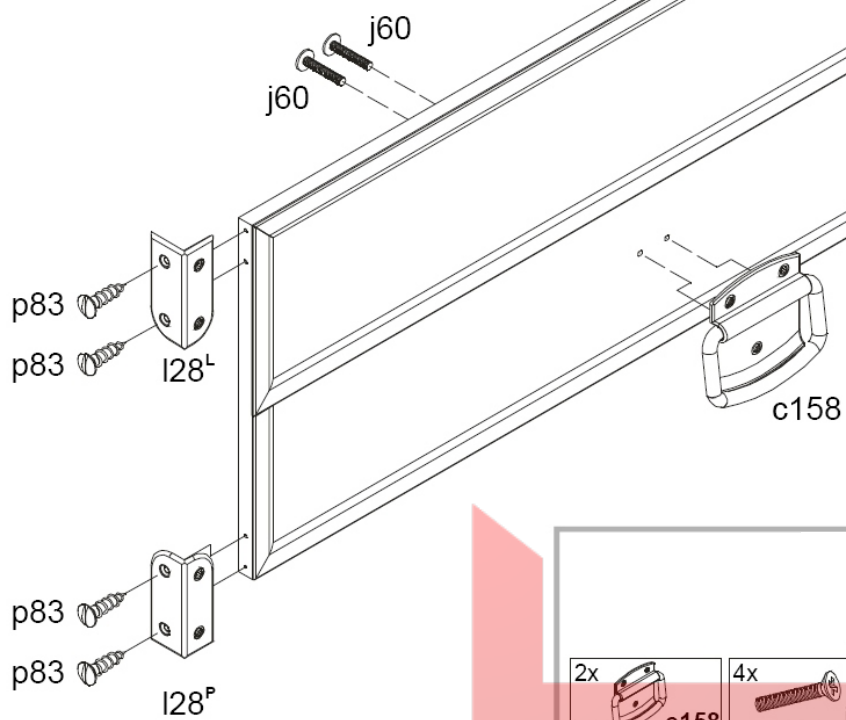
- | | | | |
|----|-------------|----|----|
| 8x | | 1x | |
| | Ø7x50 mm e1 | | z1 |

5 JLOZ 80/160

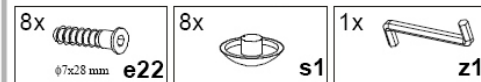
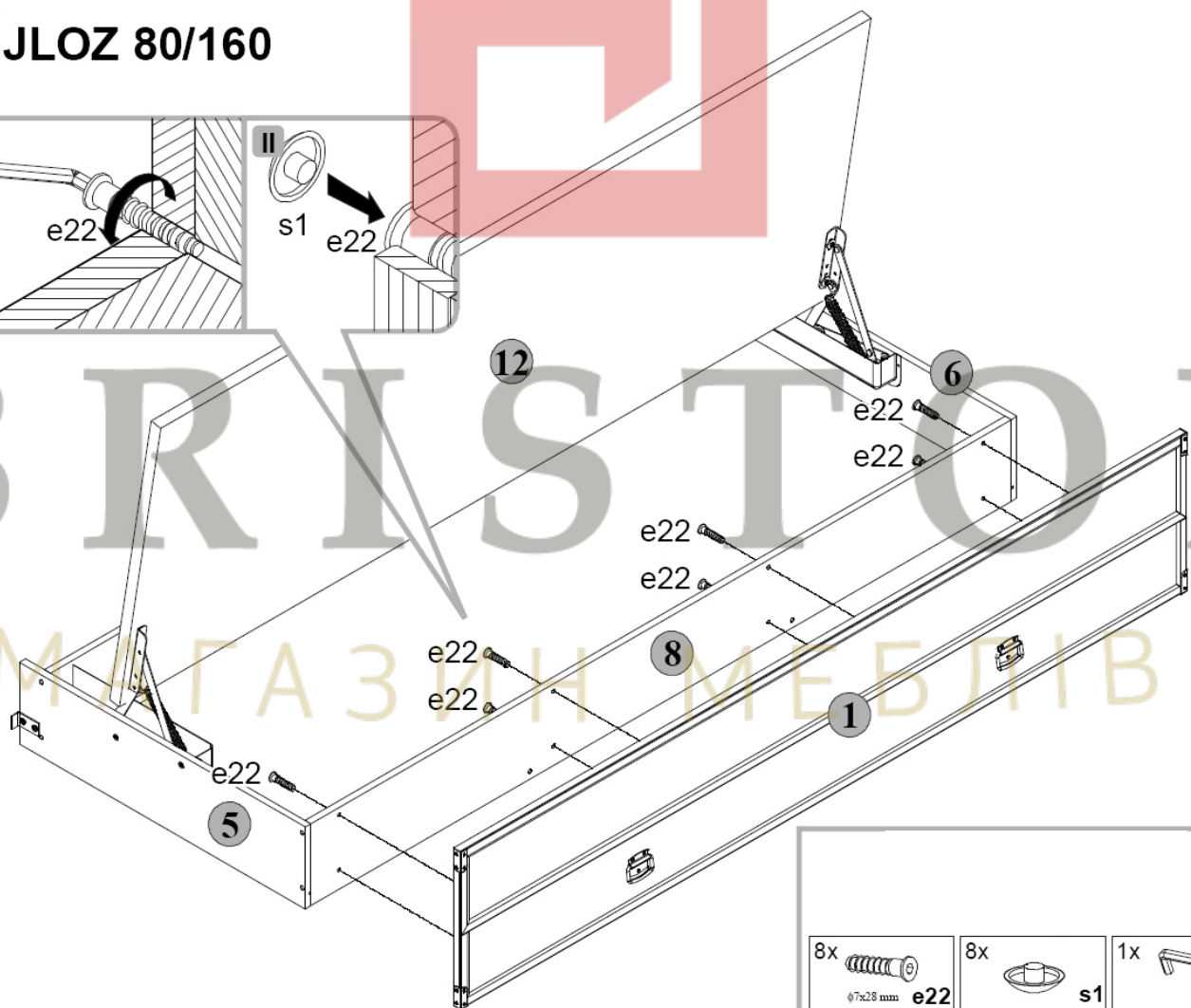
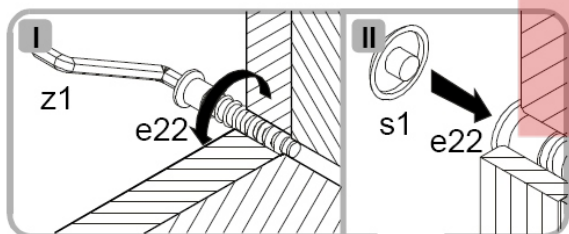


- | | | | | | | | | | | | | | |
|----|------------------|----|------------------|----|----------|----|-----------------------|----|----------|----|-----------------|----|---------------|
| 4x | | 4x | | 8x | | 2x | | 4x | | 4x | | 6x | |
| | M6x30 mm j9 | | M6x27 mm j96 | | M6 j10 | | m28 | | ø6 mm o6 | | ø6x12/14 mm o40 | | ø3.5x13 mm p1 |
| 1x | | 1x | | 1x | | 1x | | | | | | | |
| | m28 ^L | | m28 ^P | | 395mm s7 | | 395mm s7 ^L | | | | | | |

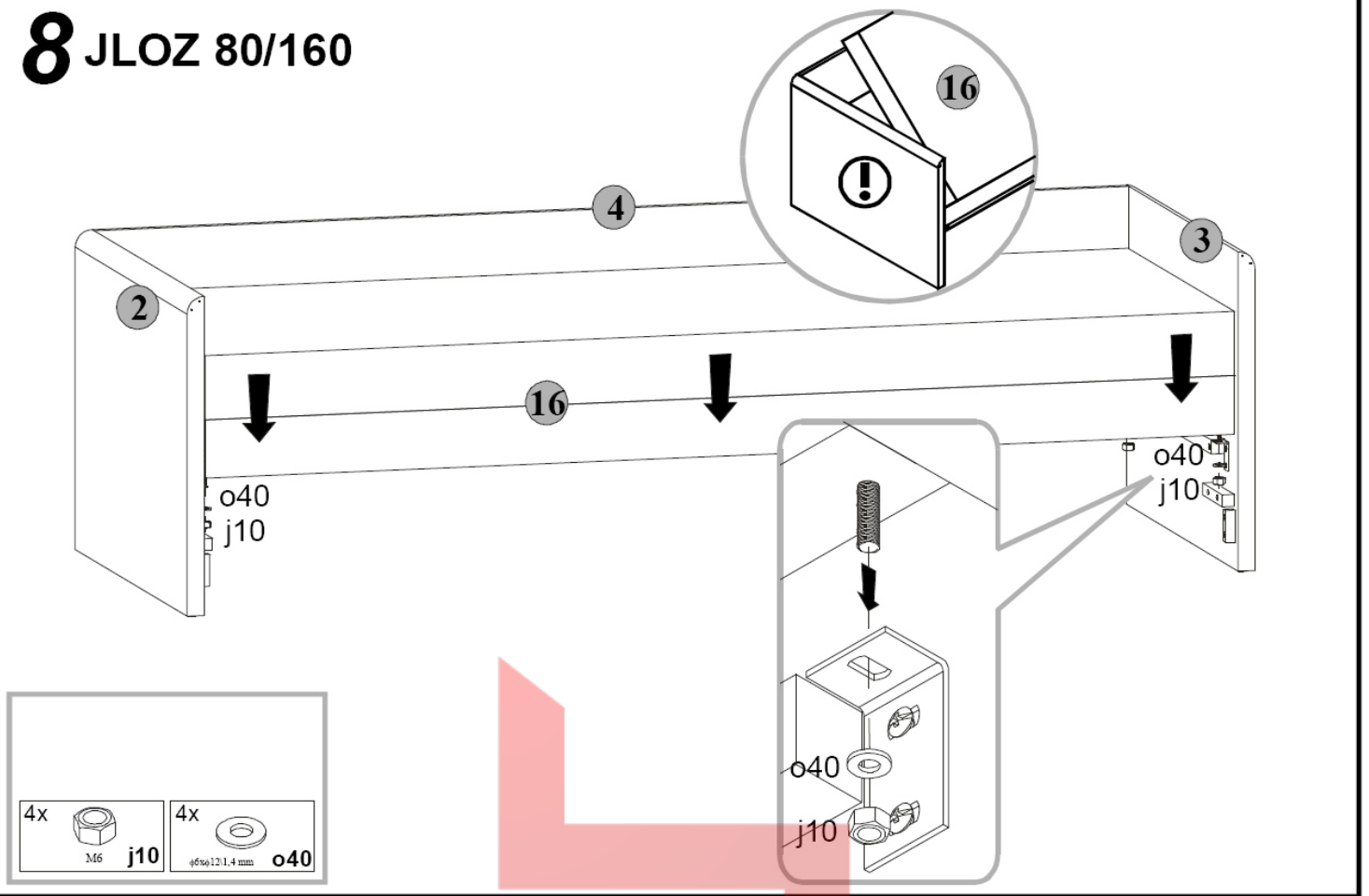
6 JLOZ 80/160



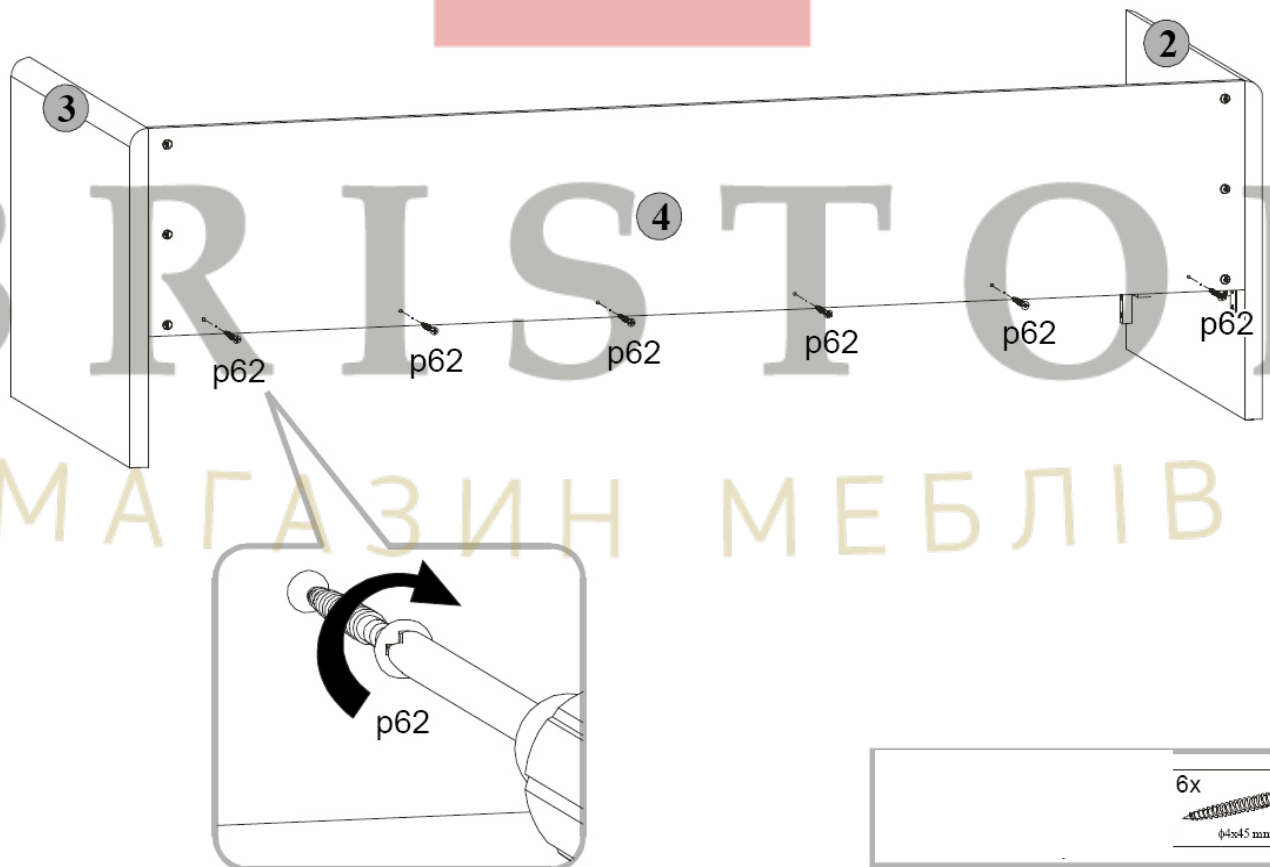
7 JLOZ 80/160



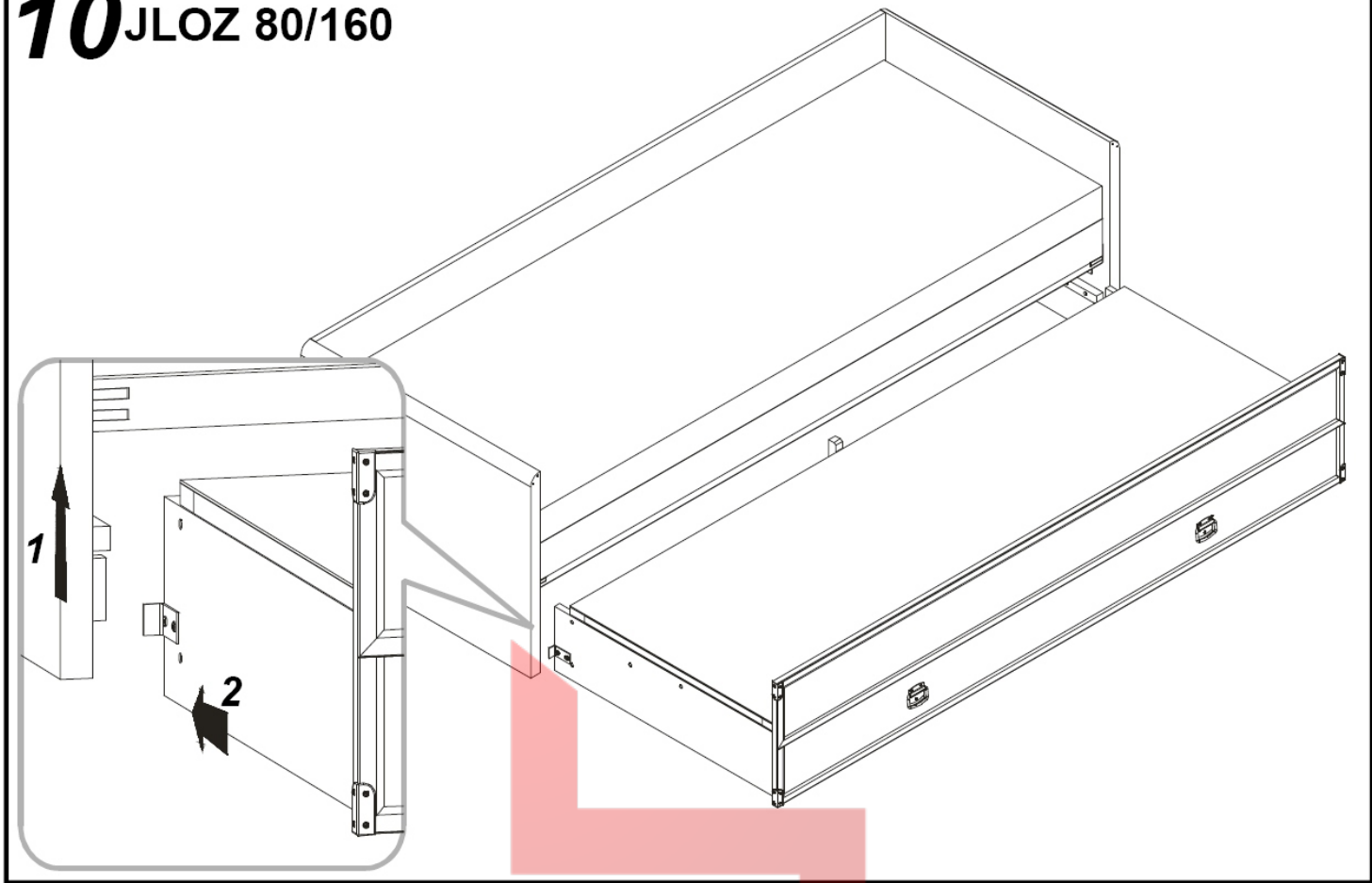
8 JLOZ 80/160



9 JLOZ 80/160



10 JLOZ 80/160



11 JLOZ 80/160

