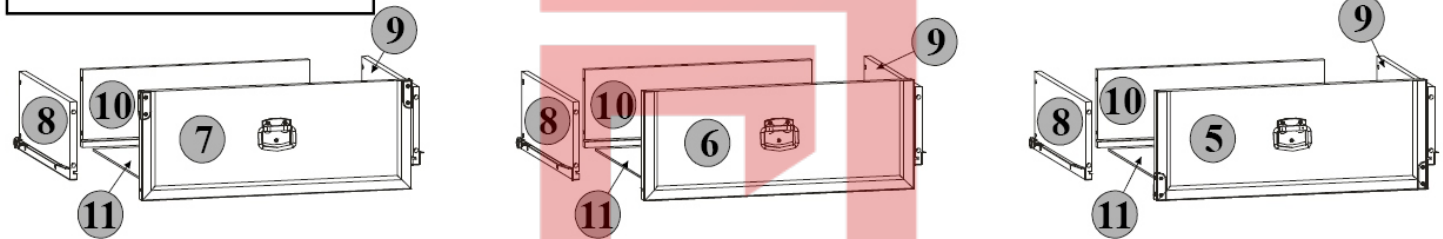
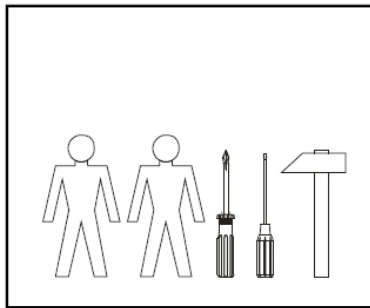
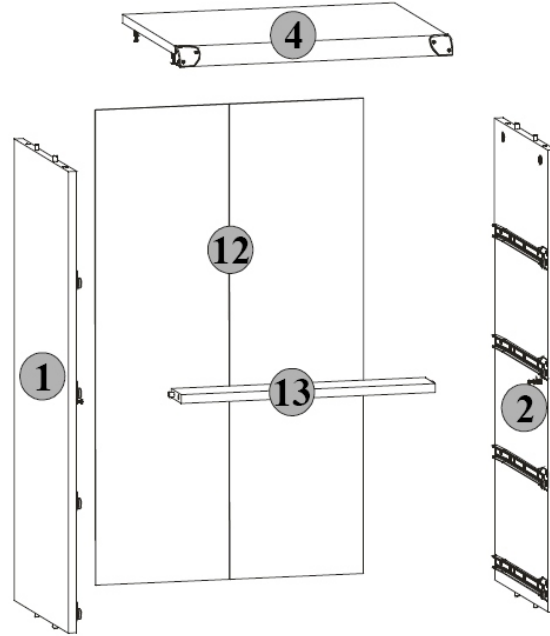


INDIANA

JKOM 4s/50

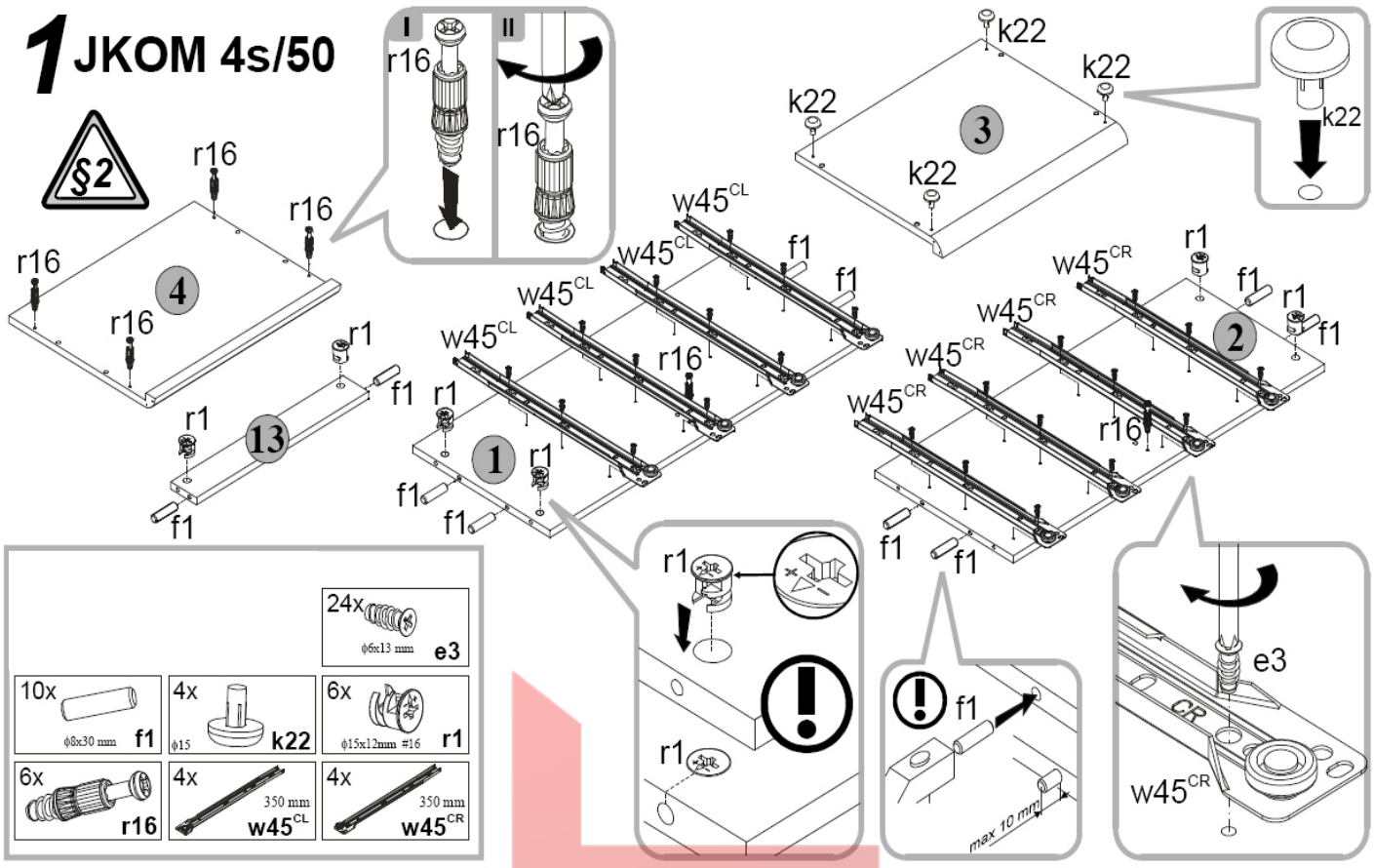


A	C	B	D
1	832x370	S31-109/A	1/3
2	832x370	S31-110/A	1/3
3	500x395	S31-204	2/3
4	500x395	S31-203	2/3
5	496x196	S31-011	3/3
6	496x196	S31-012	3/3
7	496x196	S31-007	3/3
8	350x140	S31-504	1/3
9	350x140	S31-505	1/3
10	418x140	S31-506	1/3
11	429x348	S31-903	1/3
12	856x493	S31-908	1/3
13	467x70	S31-430	1/3



4x φ7x50 mm e1	24x φ6x13 mm e3	16x φ5x9 mm e19	10x φ8x30 mm f1	16x φ6.5x40 mm f25	8x M4x22 mm j30	4x 32 mm c158
30x l1	4x l27	2x l28^L	2x l28^P	16x φ3x12 mm p83	6x φ15x12mm #16 r1	4x φ15 k22
22x r16	2x φ16 s2	4x 350 mm w45^{CL}	4x 350 mm w45^{CR}	4x 350 mm w45^{DL}	4x 350 mm w45^{DR}	1x z1

1 JKOM 4s/50



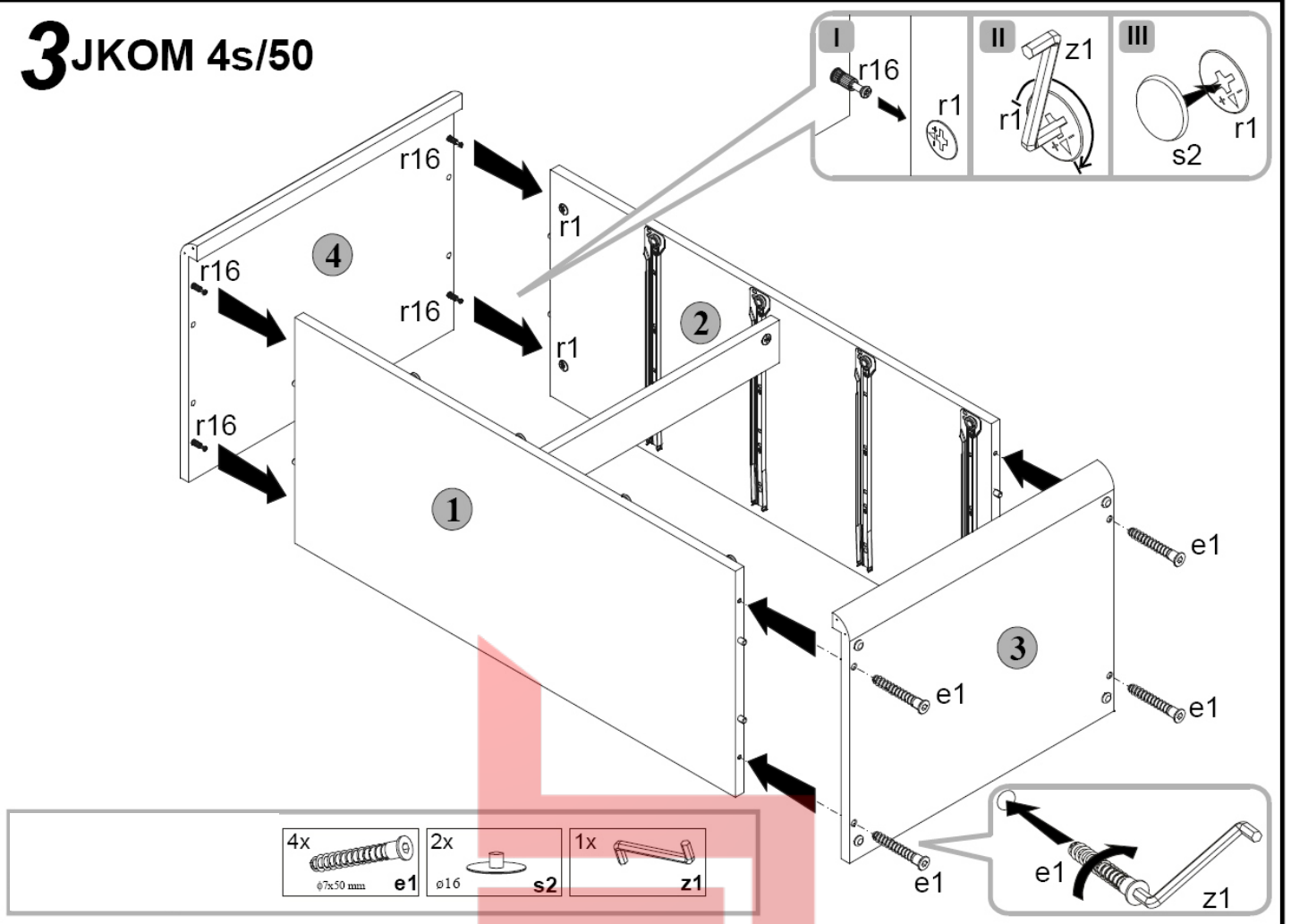
10x ø8x30 mm f1	4x ø15 k22	24x ø6x13 mm e3
6x r16	4x 350 mm w45 ^{CL}	6x ø15x12mm #16 r1
	4x 350 mm w45 ^{CR}	

2 JKOM 4s/50

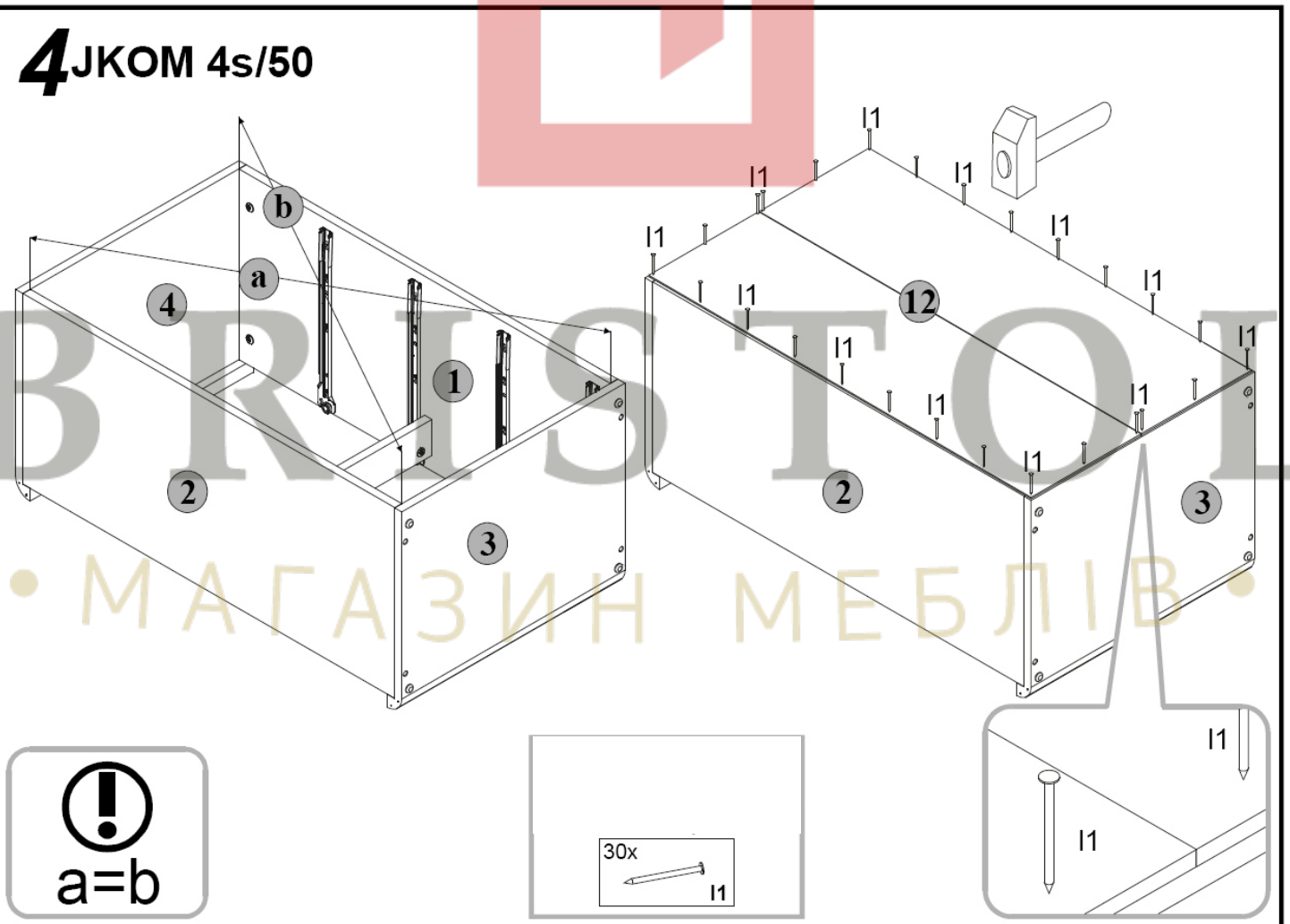


1x z1

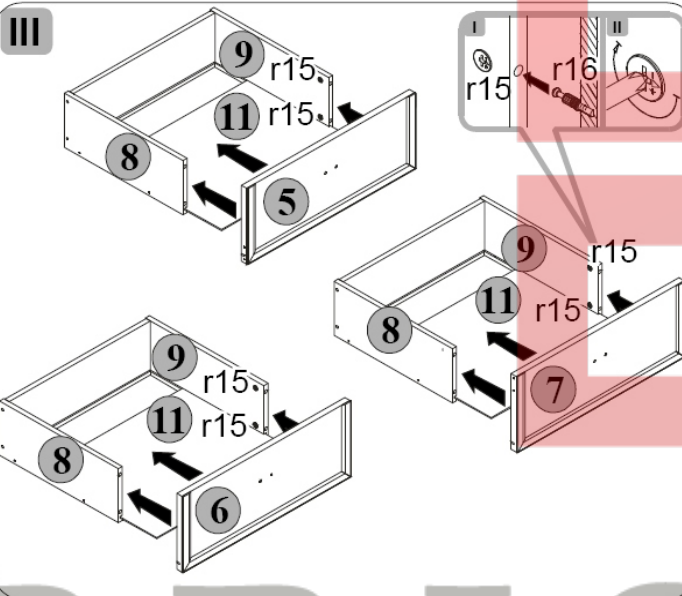
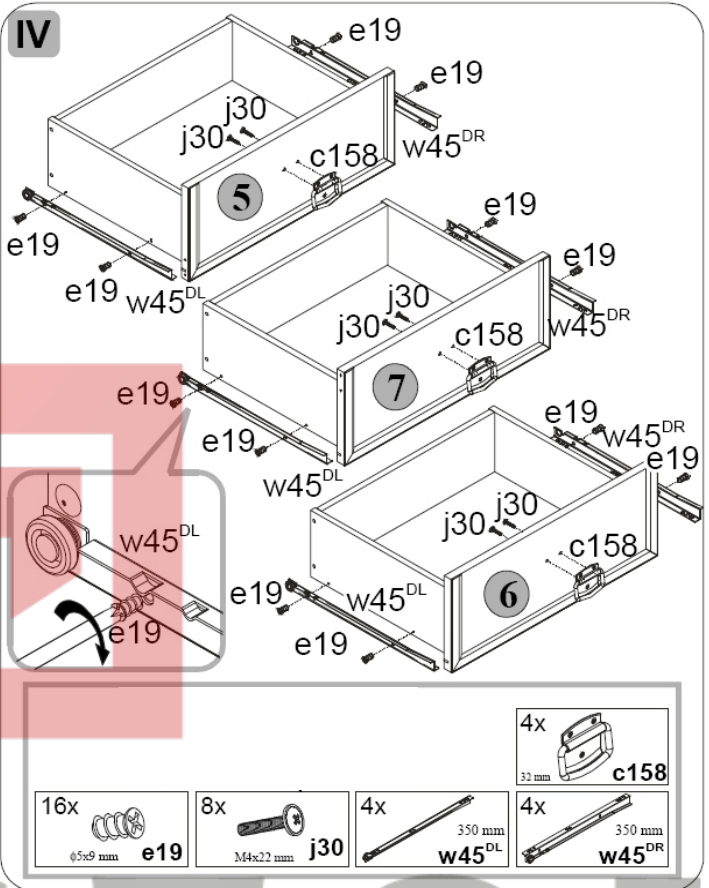
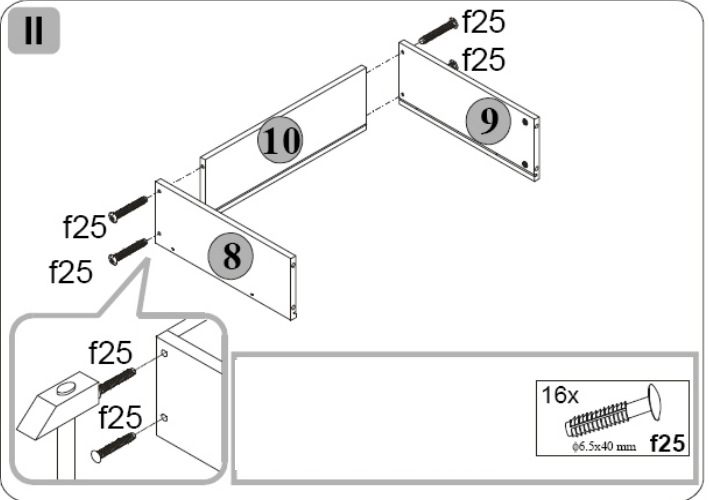
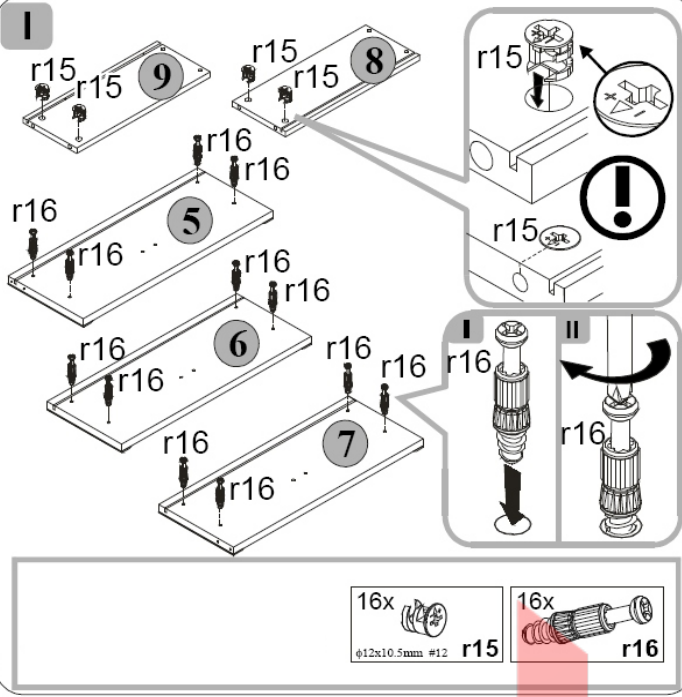
3 JKOM 4s/50



4 JKOM 4s/50



5 JKOM 4s/50



6 JKOM 4s/50

