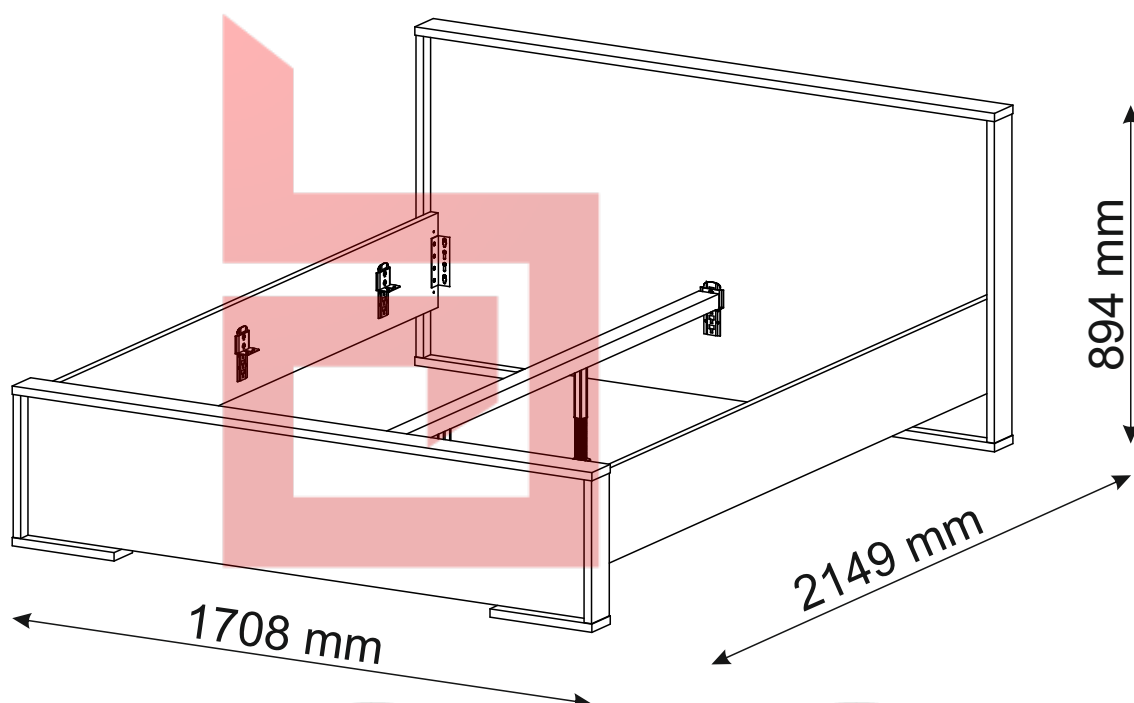
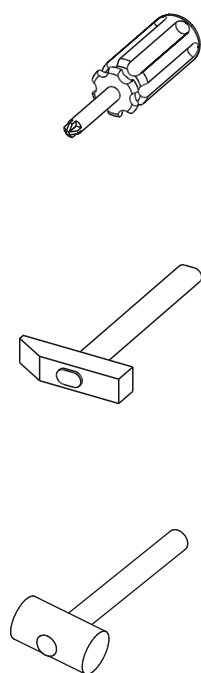
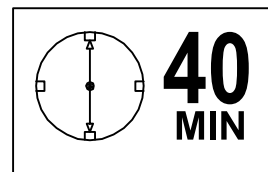
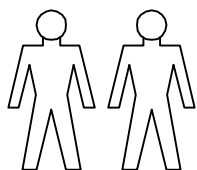
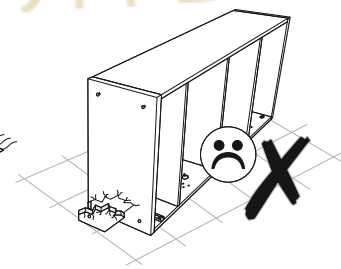
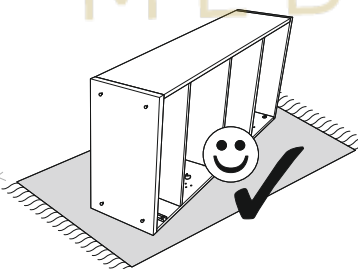
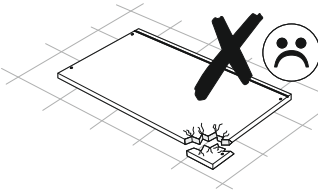
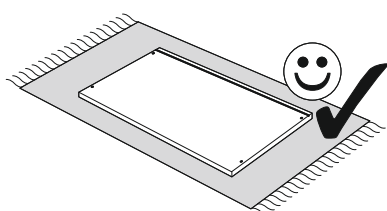


FRANCHESKA - BED 160





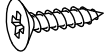
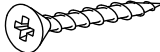

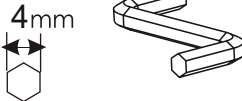
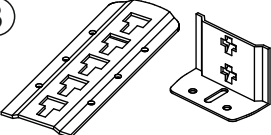
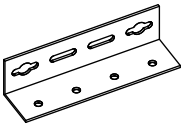
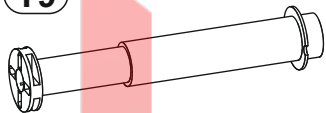



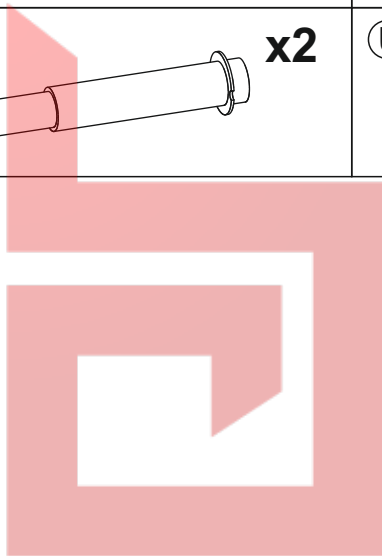
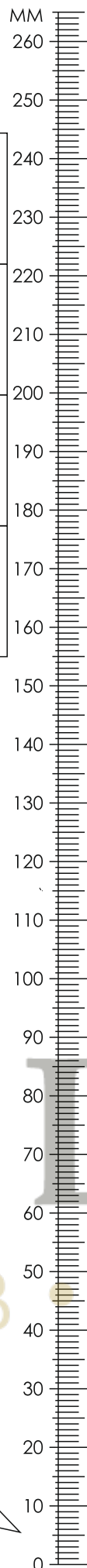
BRISTOL

• МАГАЗИН МЕБЛІВ •



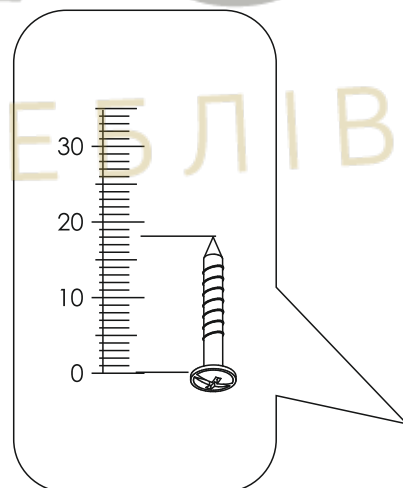
FRANCHESKA - BED 160

A0 8 x 30mm x38 	B1 7 x 50 mm x16 	C2 x12 
C7 x12 16mm 	D10 4 x 16 mm x50 	D14 4 x 35 mm x8 
D30 EURO 6,3 x 13 mm x32 	K 4mm x1 	P3 x8 
P8 x4 	T9 x2 	U2 x8 

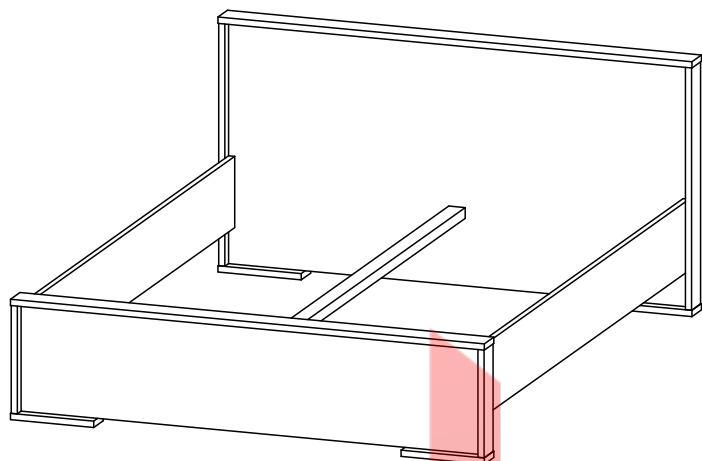



BRISTOL

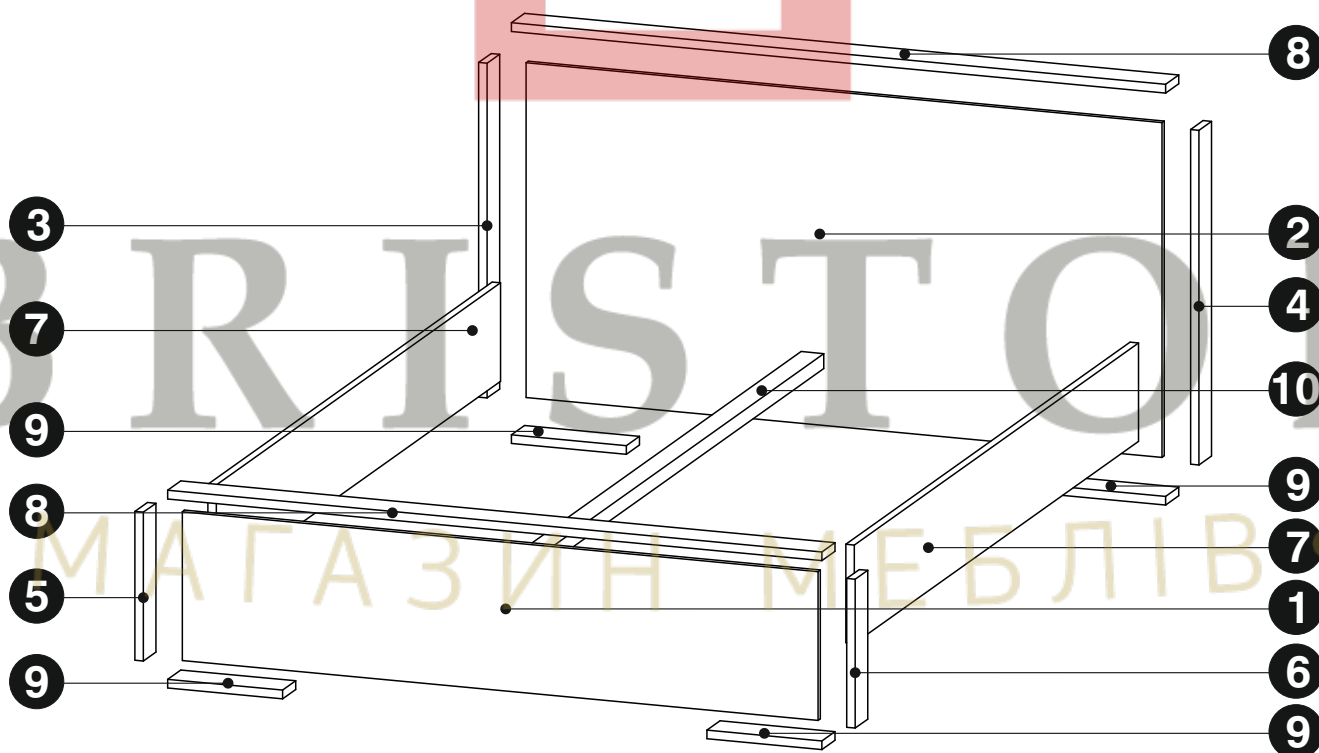
• МАГАЗИН МЕБЛІВ •

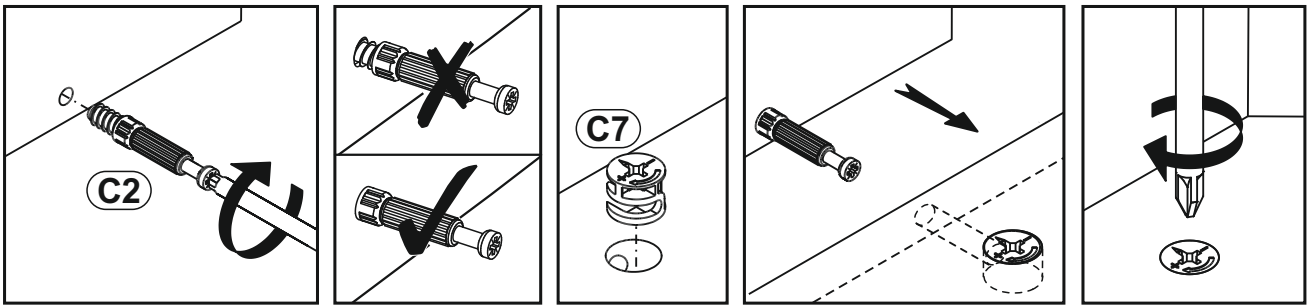


FRANCHESKA - BED 160



1	1660	378	16	x1	2/2
2	1660	850	16	x1	2/2
3	850	90	22	x1	1/2
4	850	90	22	x1	1/2
5	378	90	22	x1	1/2
6	378	90	22	x1	1/2
7	2039	250	22	x2	1/2
8	1708	94	22	x2	1/2
9	300	94	22	x4	1/2
10	2023	59	38	x1	1/2
					1/2

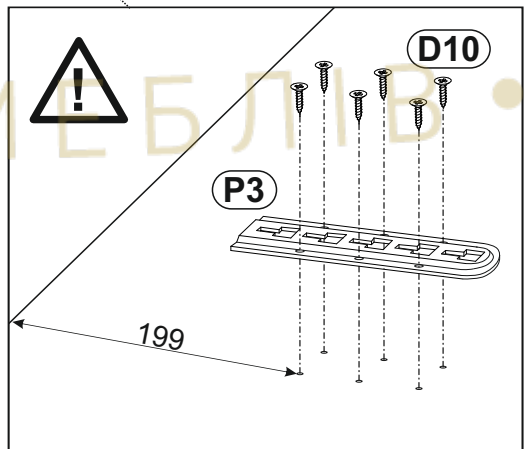
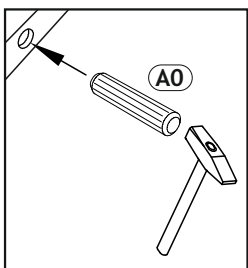
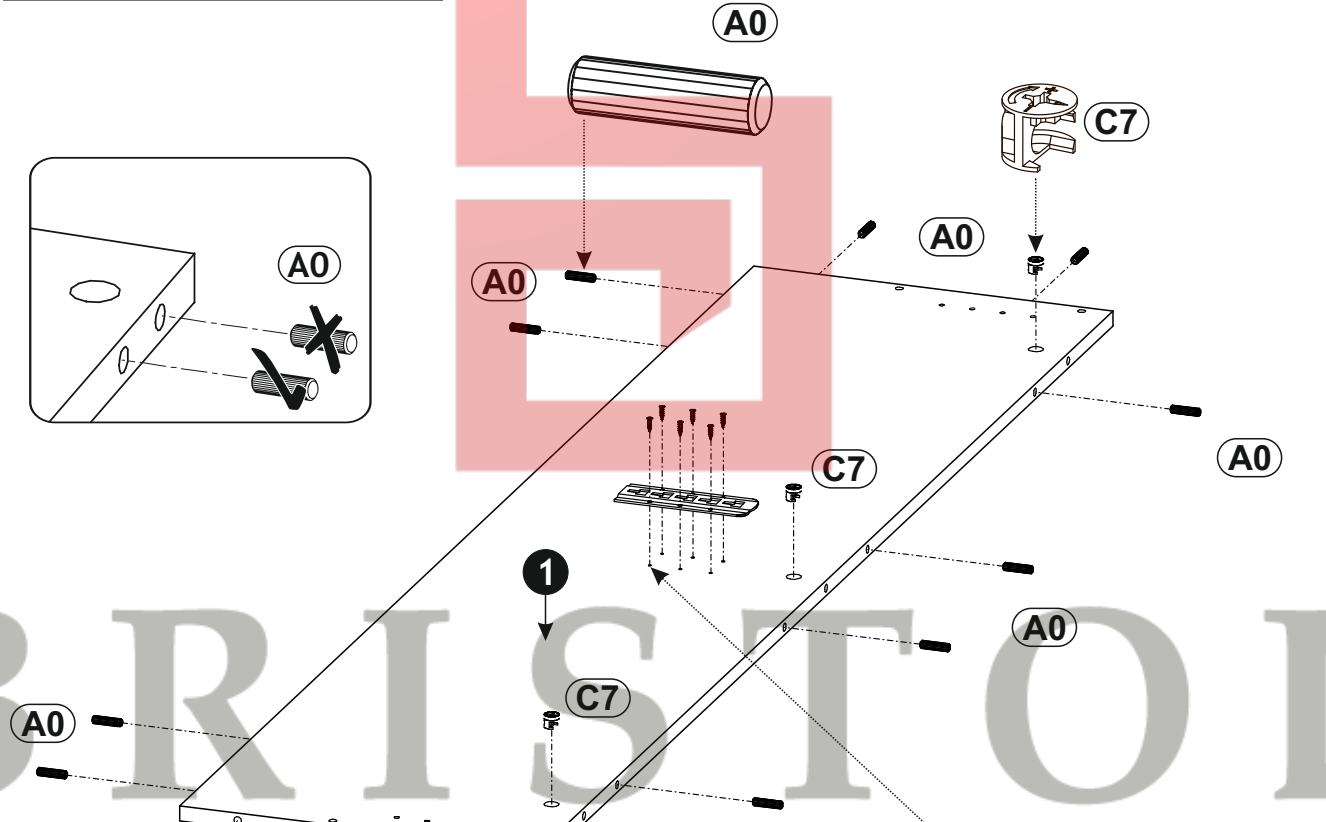
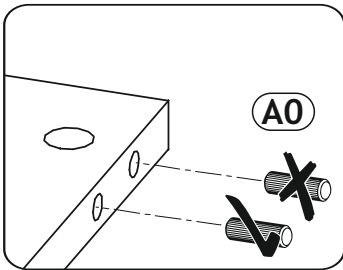






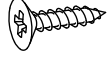
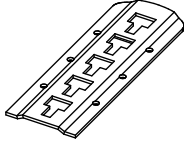
1 ▶

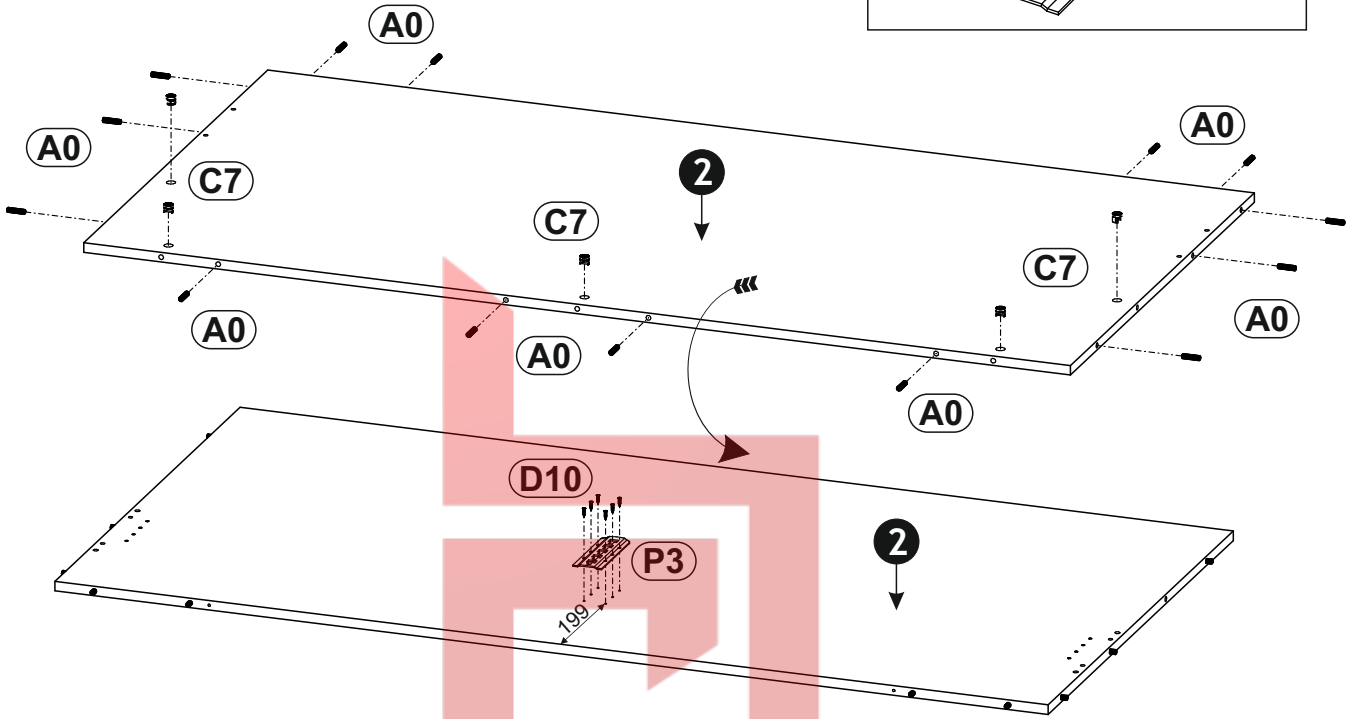
<p>(A0) 8 x 30mm x12</p>	<p>(C7) x3</p> <p>16mm</p>	<p>(D10) 4 x 16 mm x6</p>
--	--	---

<p>(P3) x1</p>

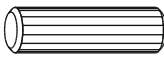


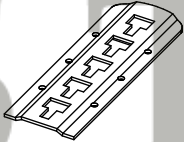
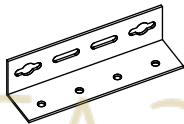


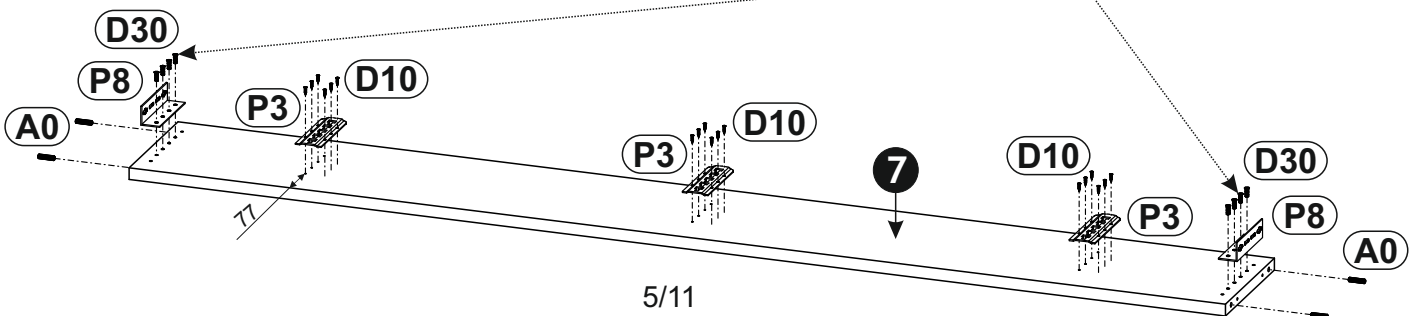
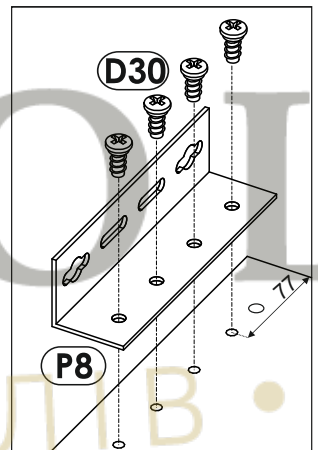
2 ▶

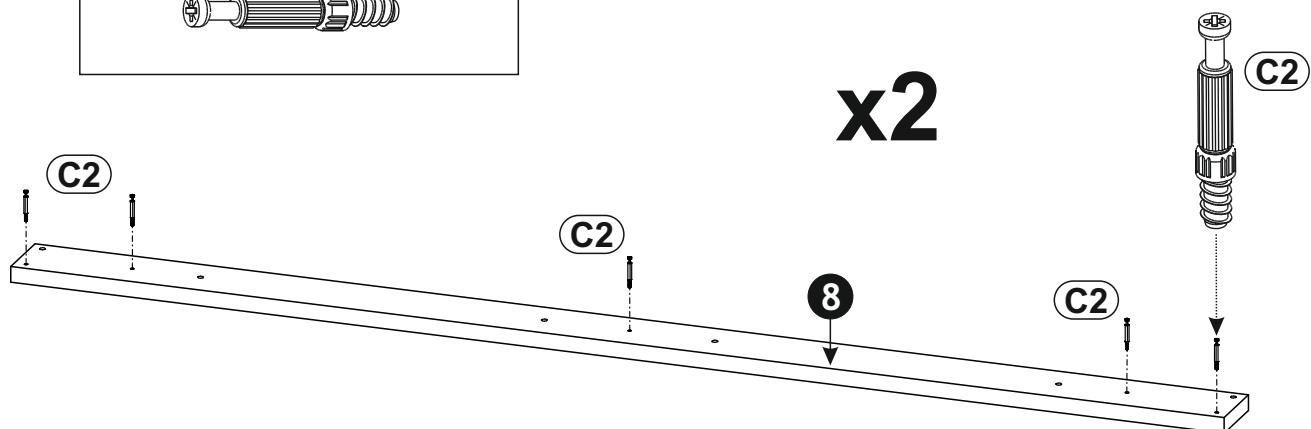
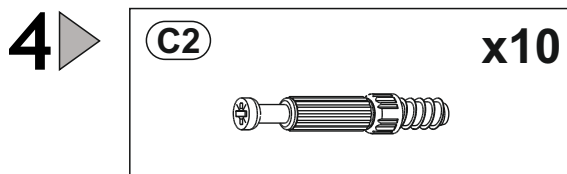
A0 8 x 30mm x14 	C7 16mm x5 	D10 4 x 16 mm x6 
		P3  x1



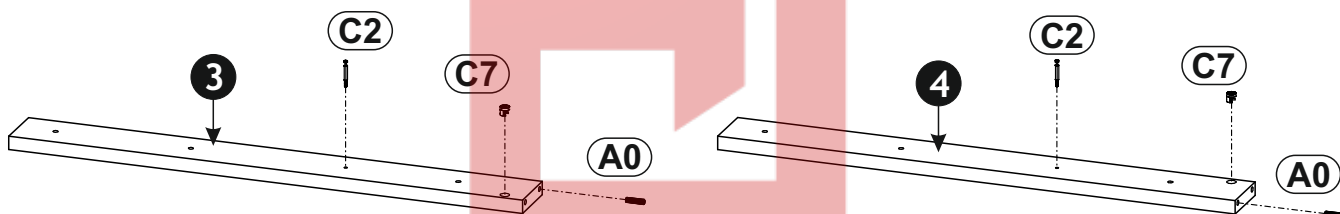
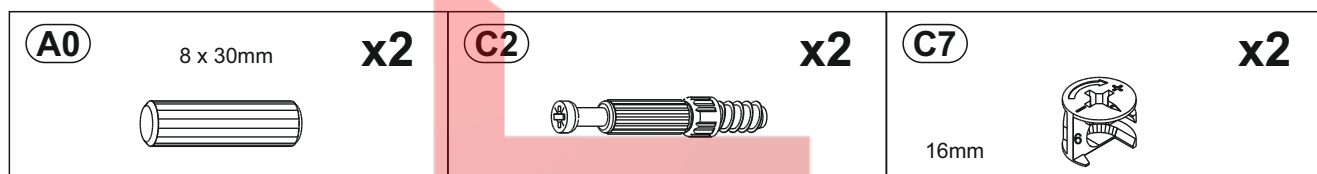
3 ▶

A0 8 x 30mm x8 	D10 4 x 16 mm x36 
D30 EURO 6,3 x 13 mm x16 	P3  x6
P8  x4	x2

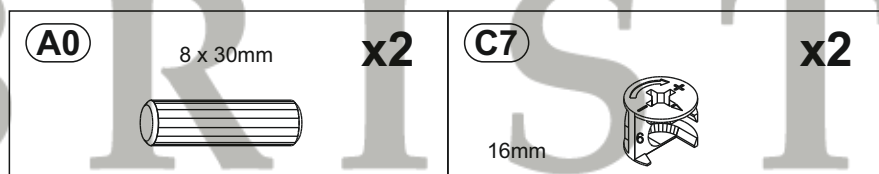




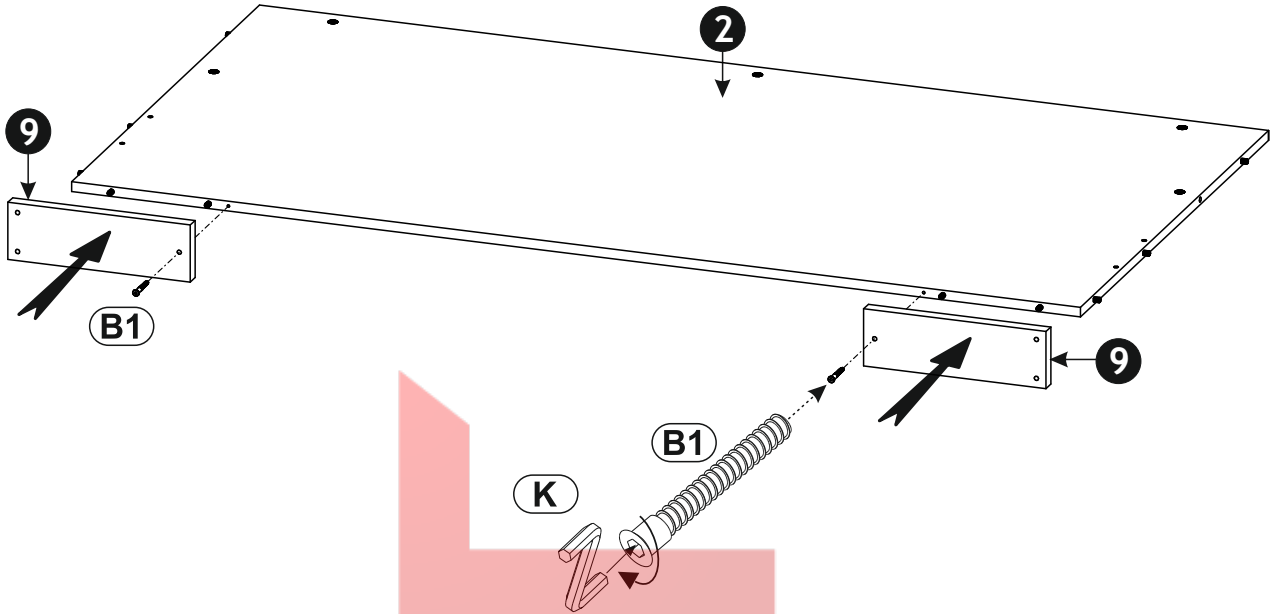
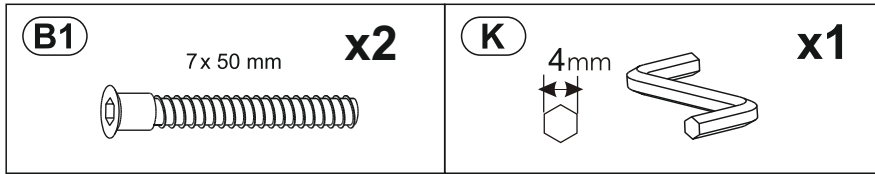
5 ▶



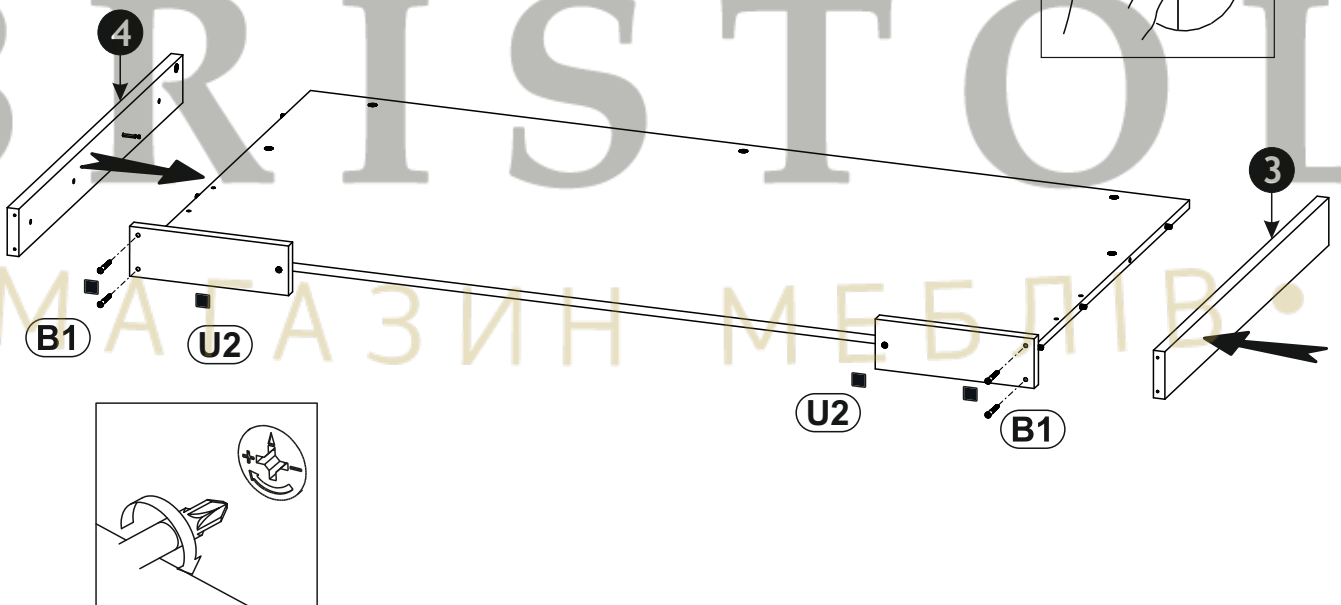
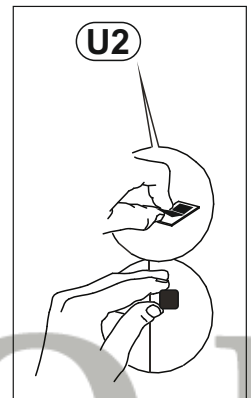
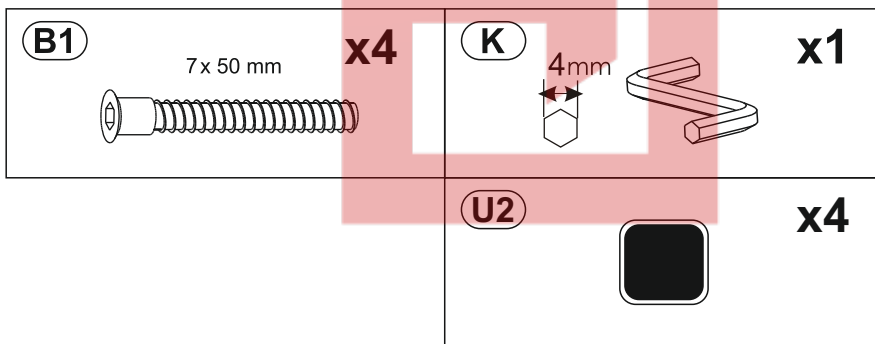
6 ▶



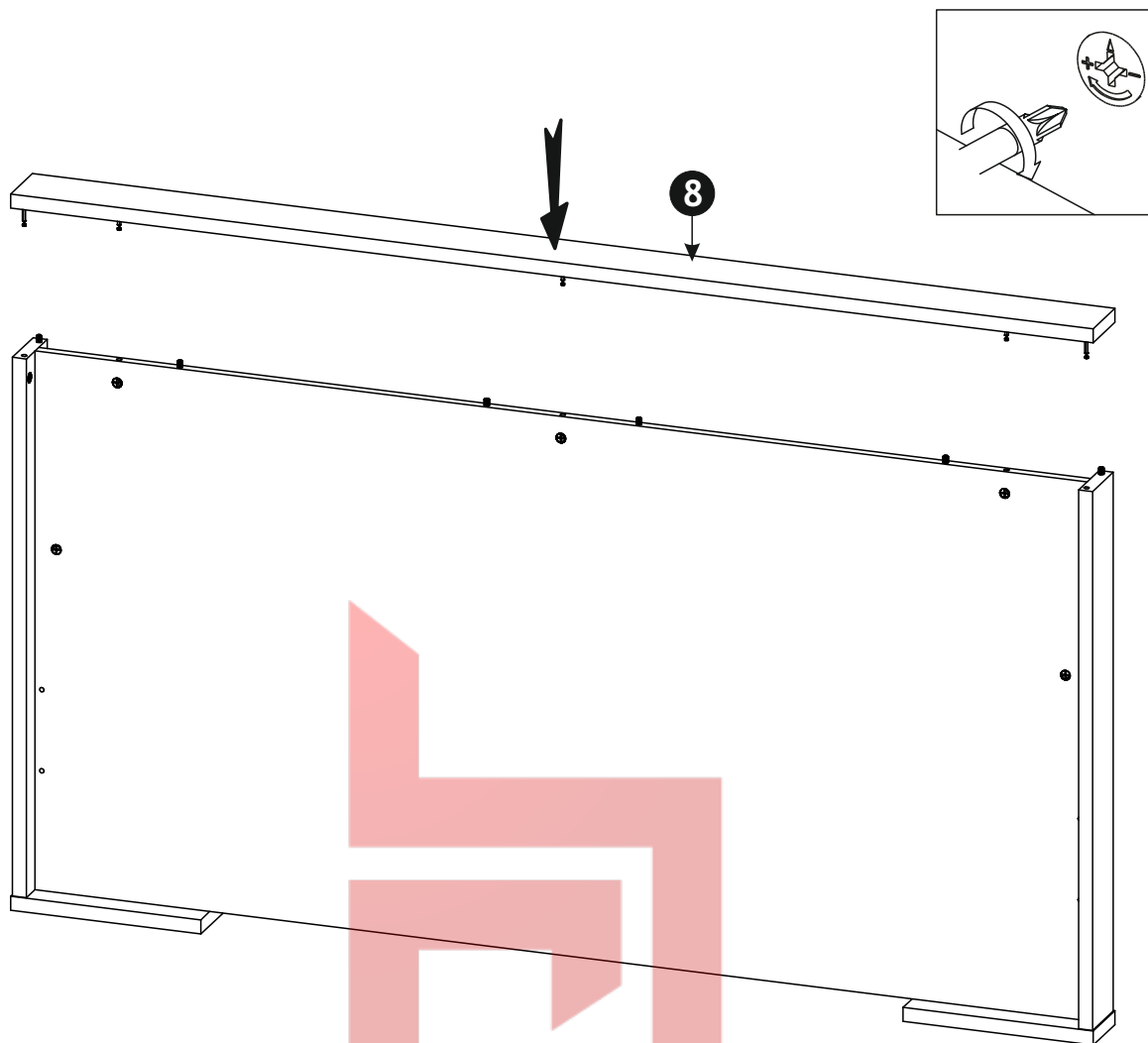
7



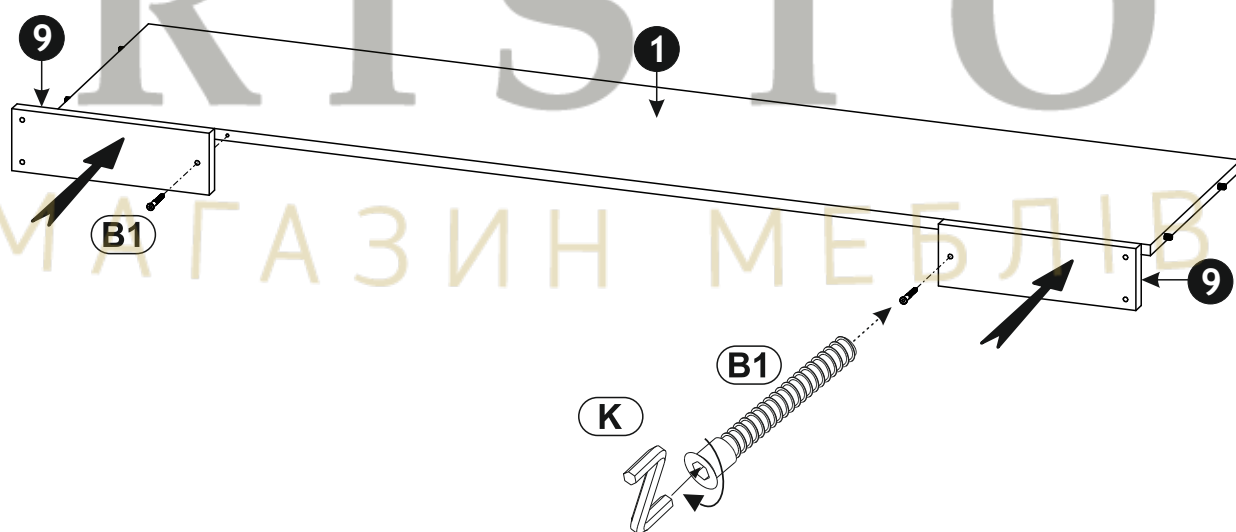
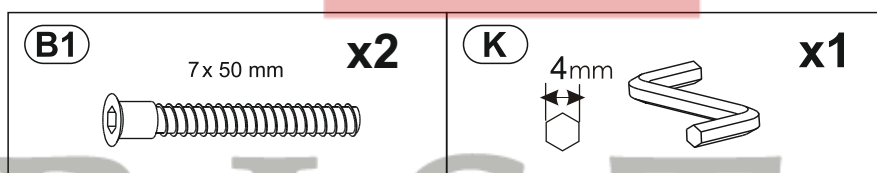
8




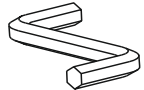

9 ▶

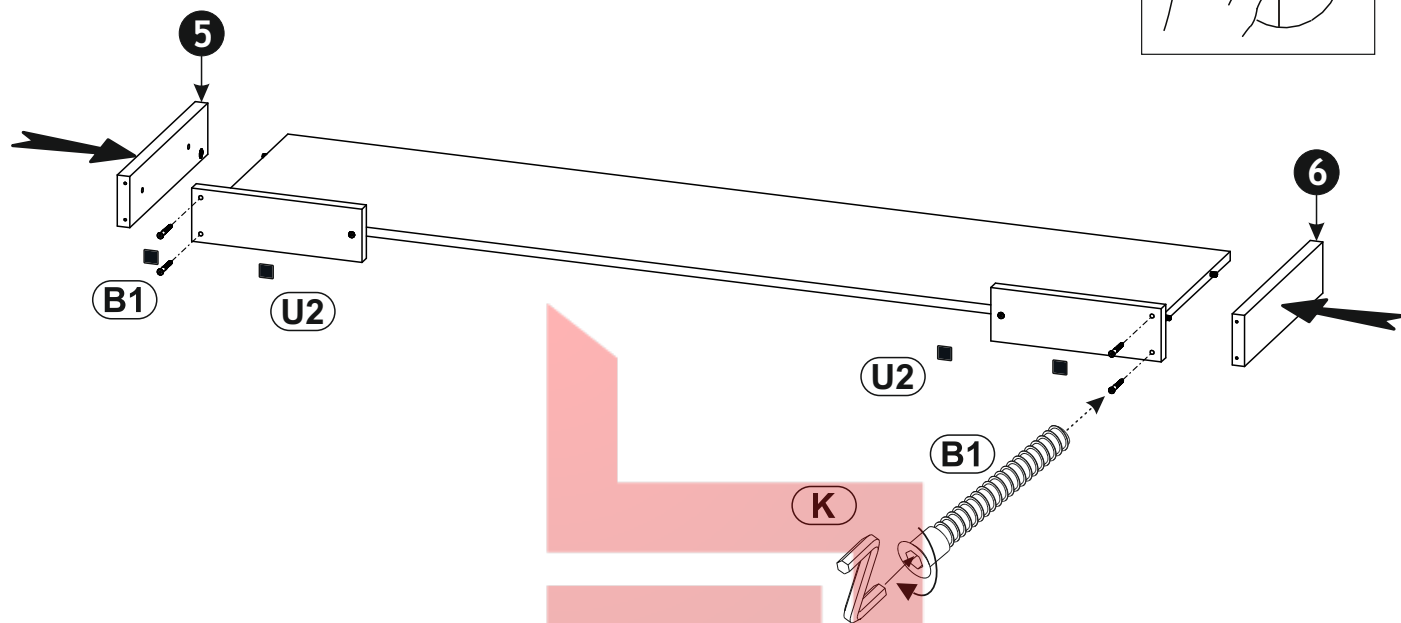
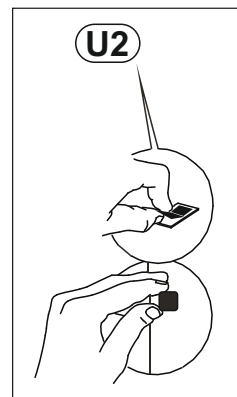


10 ▶

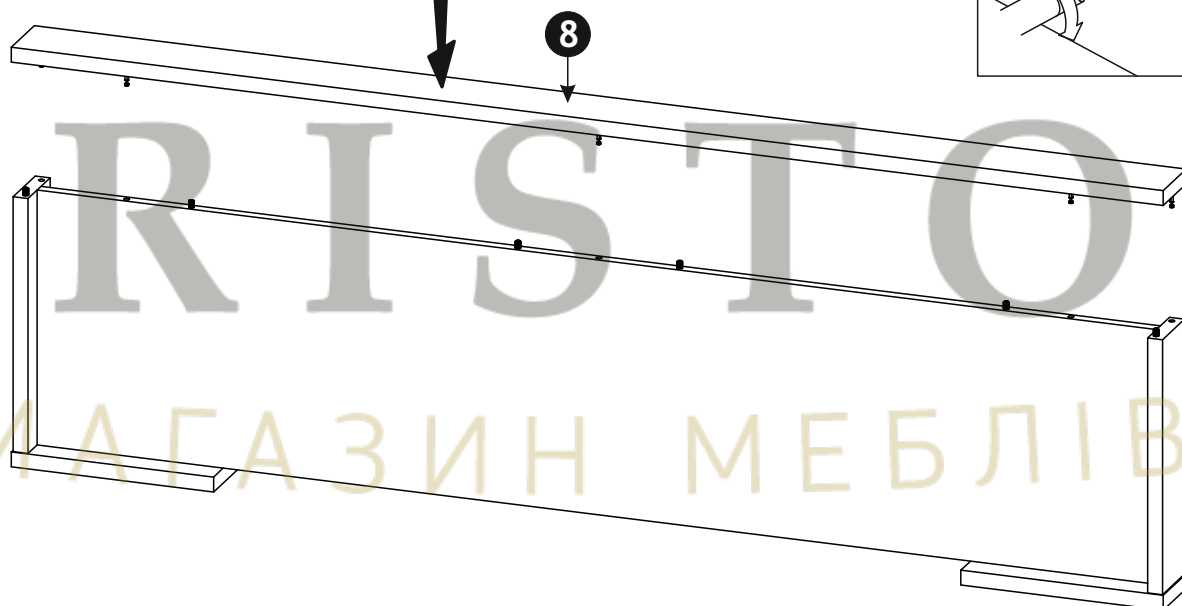


11 ▶

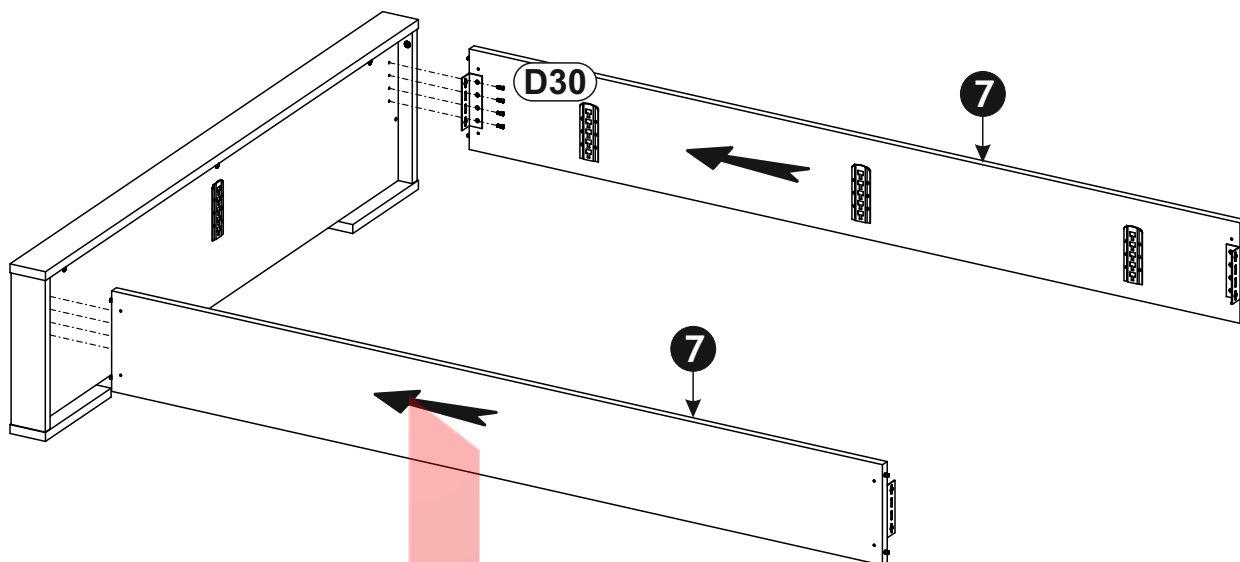
(B1) 7 x 50 mm x4 	(K) 4mm x1 
(U2) x4 	



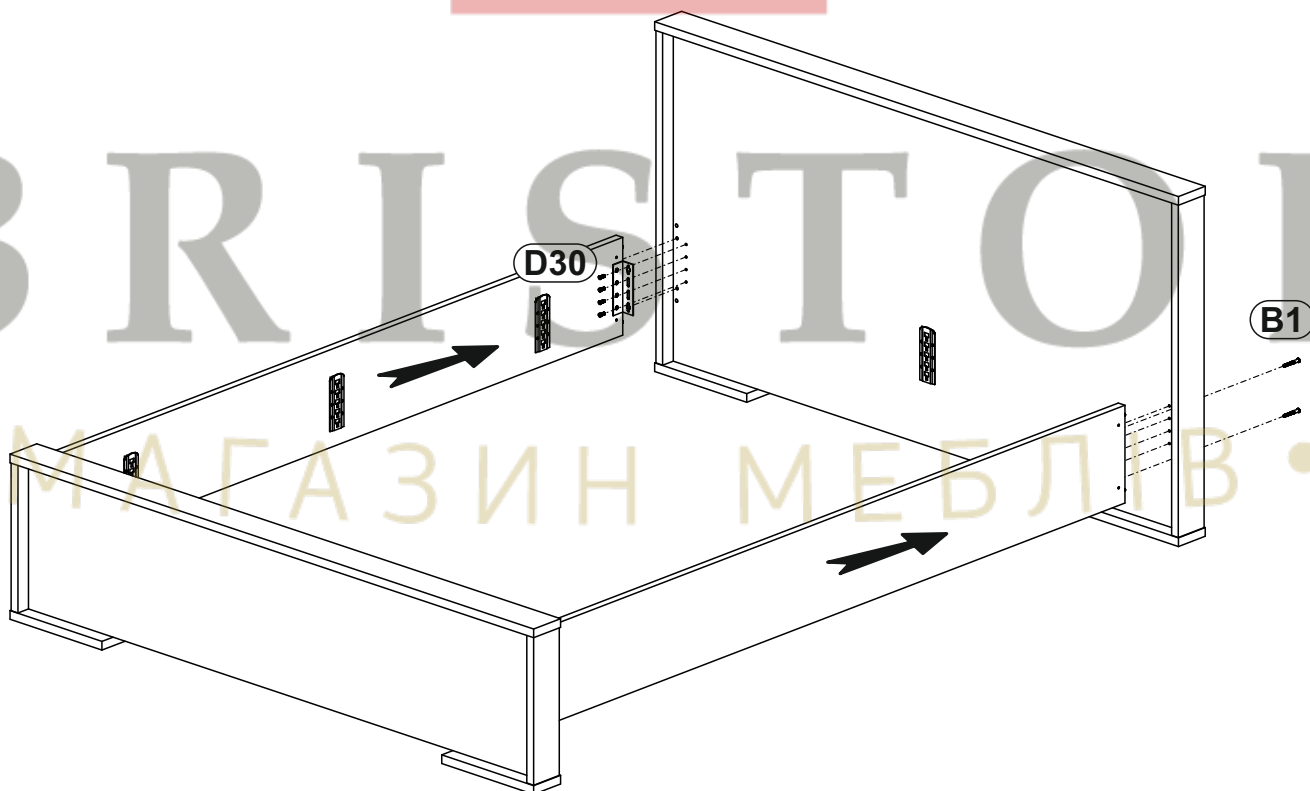
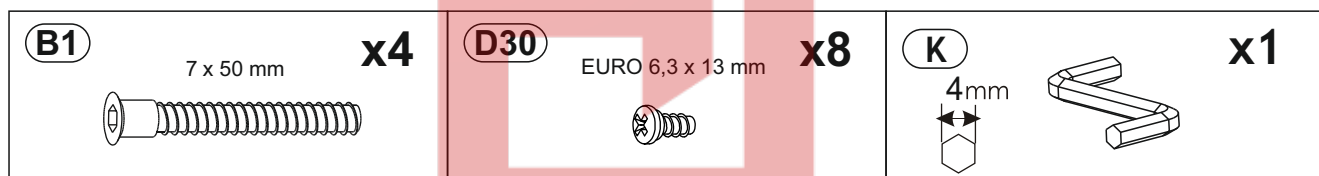
12 ▶



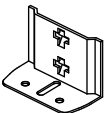
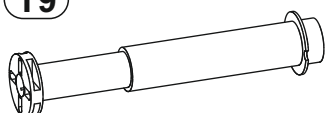
13 ▶

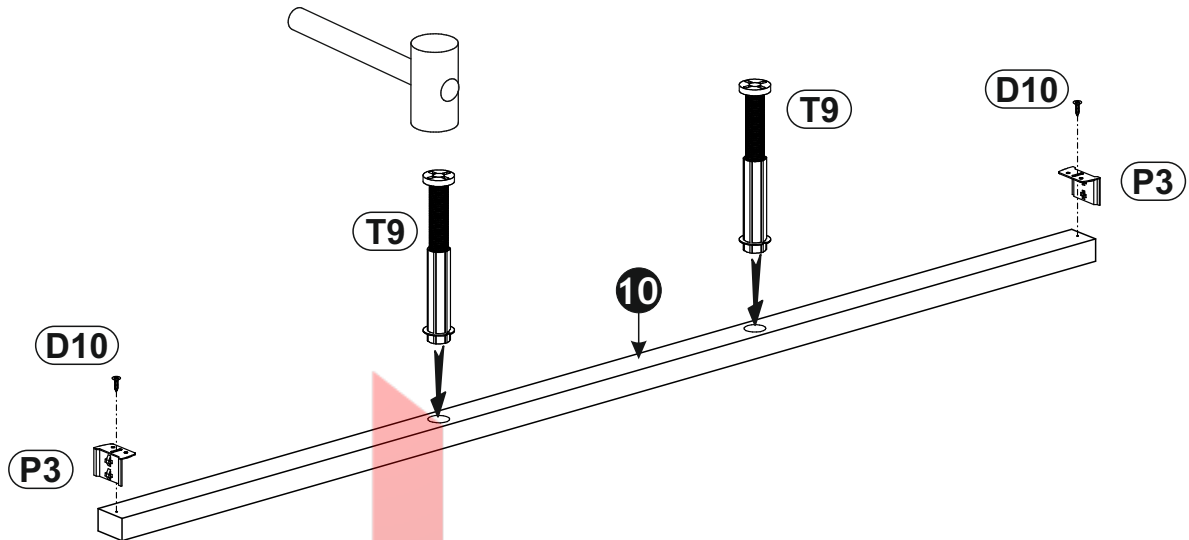


14 ▶

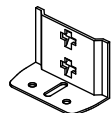


15 ▶

D10	4 x 16 mm	x2	P3		x2	T9		x2
------------	-----------	-----------	-----------	---	-----------	-----------	---	-----------



16 ▶

P3		x6
D14	4 x 35 mm	x8

