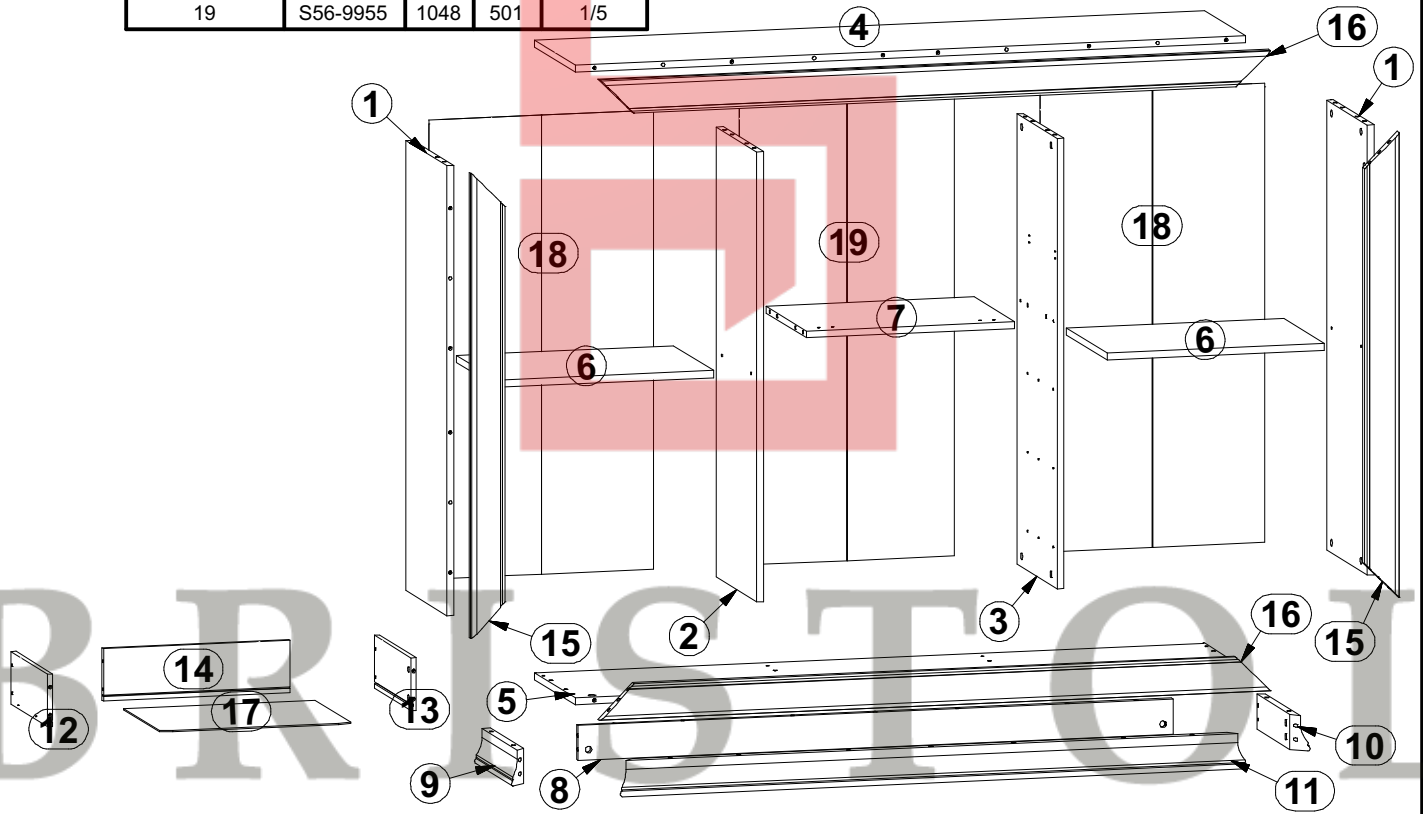
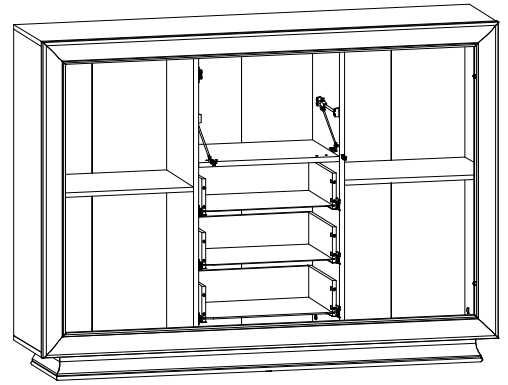


LARGO Classic

REG2D1K3S

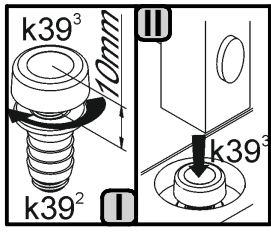
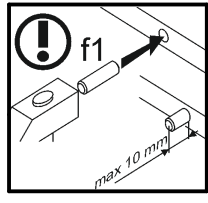
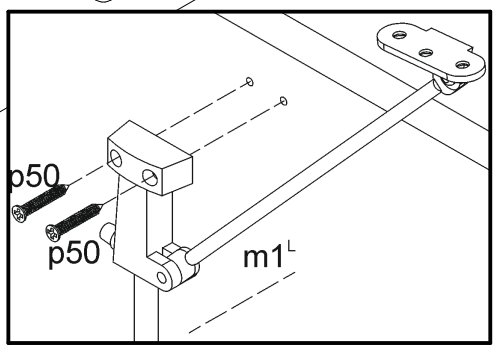
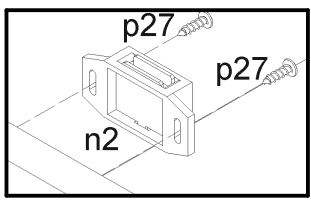
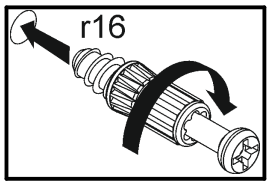
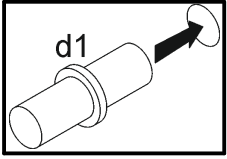
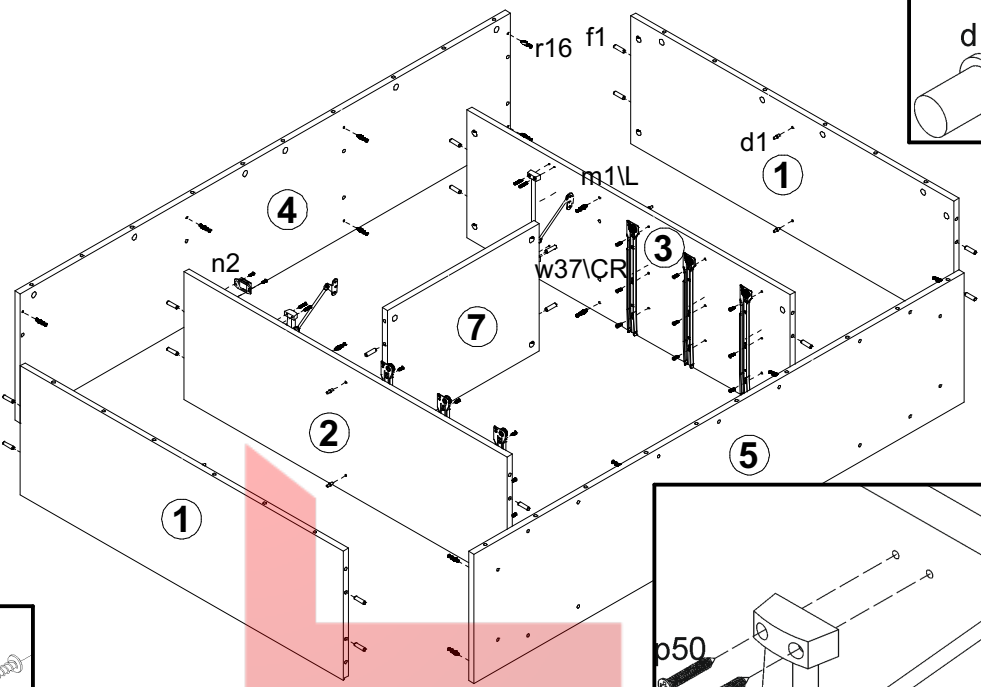


	A	B	C	D
1	S56-1108	1028	351	2/5
2	S56-109	1028	351	1/5
3	S56-110	1028	351	1/5
4	S56-2209	1561	351	2/5
5	S56-2210	1561	351	2/5
6	S56-301	506	351	2/5
7	S56-305	484	351	1/5
8	S56-404	1386	80	2/5
9	S56-452	322	80	4/5
10	S56-453	322	80	4/5
11	S56-456	1460	80	4/5
12	S56-501	320	120	1/5
13	S56-502	320	120	1/5
14	S56-505	435	120	1/5
15	S56-572	1062	80	3/5
16	S56-575	1562	80	3/5
17	S56-910	446	318	2/5
18	S56-9954	1048	523	1/5
19	S56-9955	1048	501	1/5

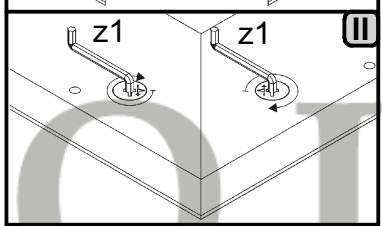
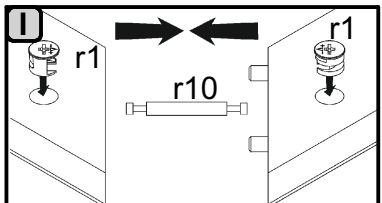


4x a28	2x a67	4x b15	2x b9	8x $\phi 5 \times 17$ mm d1	12x $\phi 6,3 \times 13$ mm e2	18x $\phi 6 \times 13$ mm e3	60x $\phi 8 \times 30$ mm f1	12x $\phi 6,5 \times 40$ mm f25
5x M6/ $\phi 8 \times 14$ mm k39 ²	5x M6/22mm k39 ³	80x l1	1x m1 ^L	1x m1 ^P	1x n2	1x 50x12x1,5 mm n3	6x $\phi 3,5 \times 13$ mm p1	2x $\phi 3,5 \times 13$ mm p27
8x $\phi 2,9 \times 24$ mm p50	14x $\phi 3 \times 12$ mm p54	50x $\phi 1,5 \times 12$ mm #16 r1	8x $\phi 1,5 \times 15$ mm #22 r3	4x r10	12x $\phi 12 \times 10,5$ mm #12 r15	54x r16	4x r38	12x $\phi 16$ s2
3x 300 mm w37 ^{CL}	3x 300 mm w37 ^{CR}	3x 300 mm w37 ^{DL}	3x 300 mm w37 ^{DR}	1x GLUE y1	1x z1	1x n26 ¹	1x $\phi 3,5 \times 16$ mm p38	

1

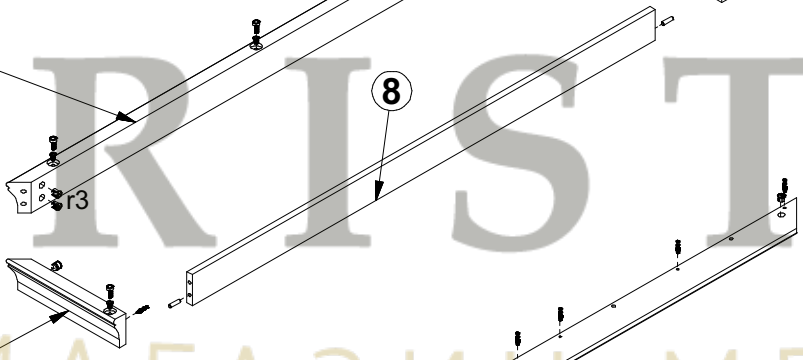


10

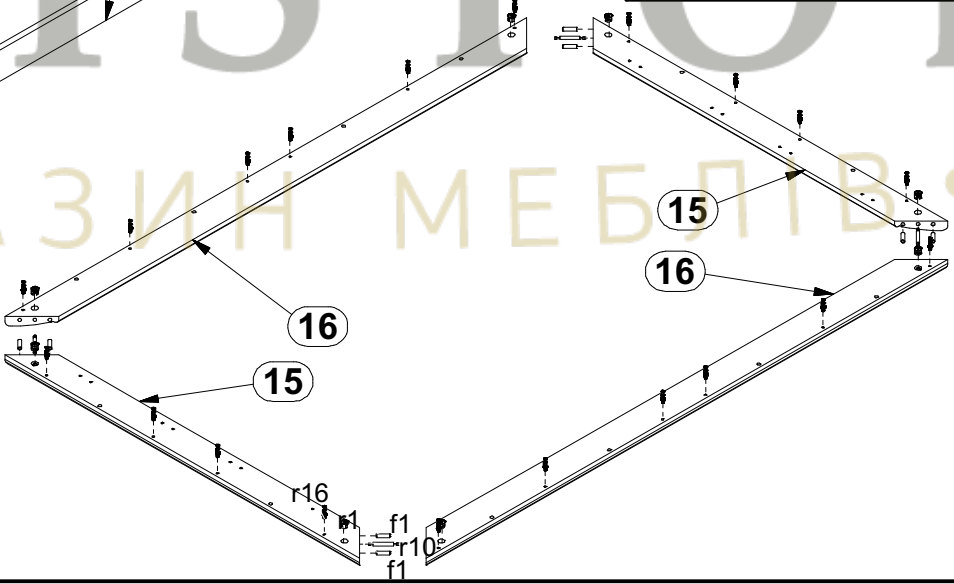
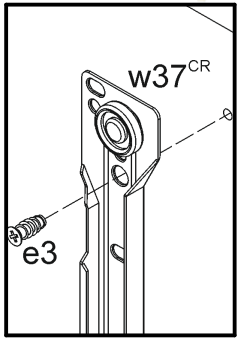


11

8



9

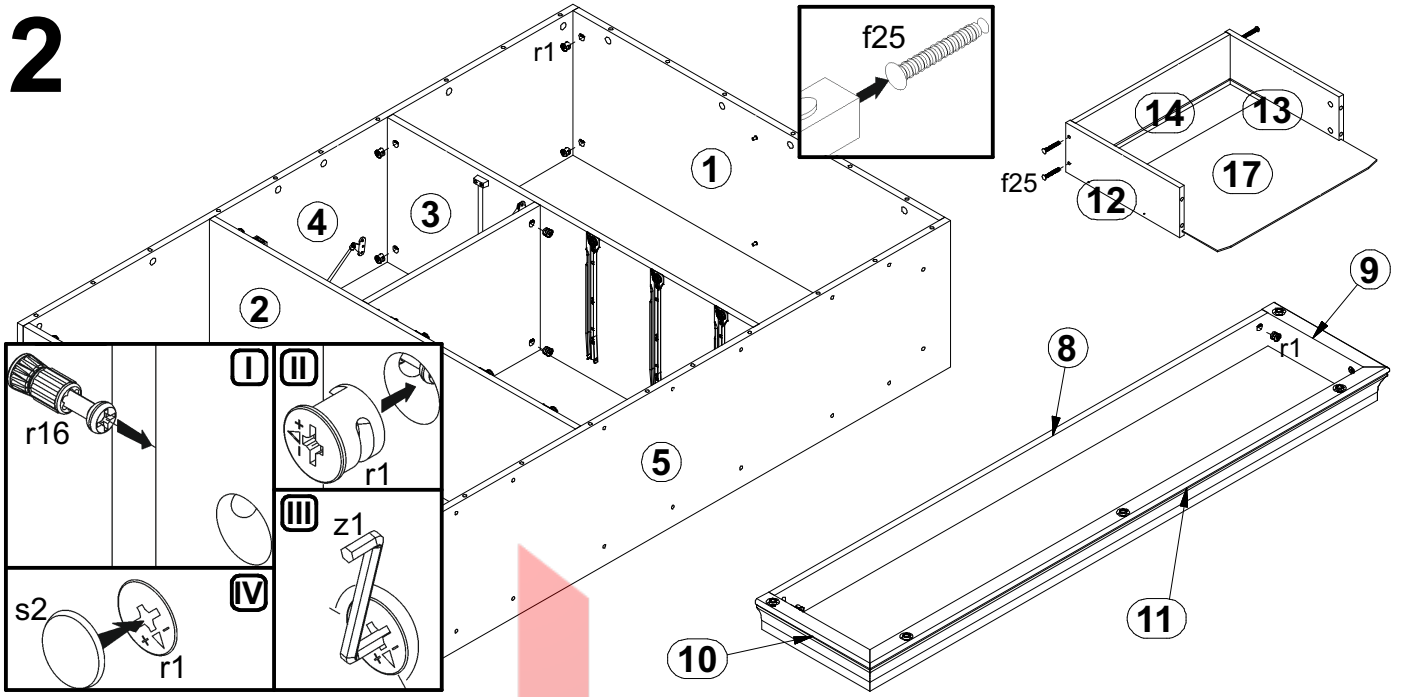


15

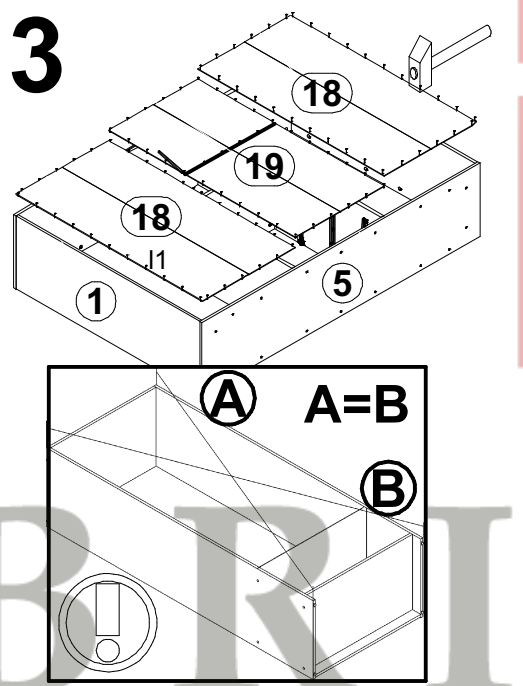
16



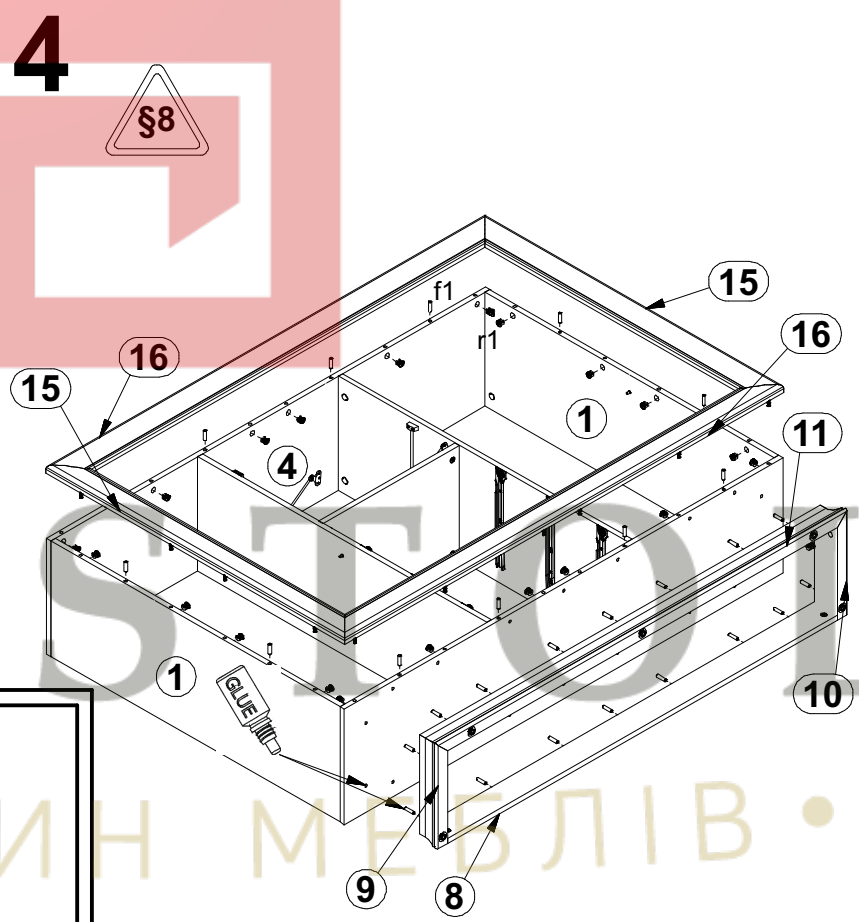
2



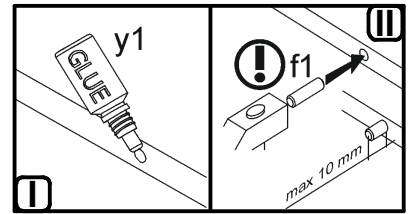
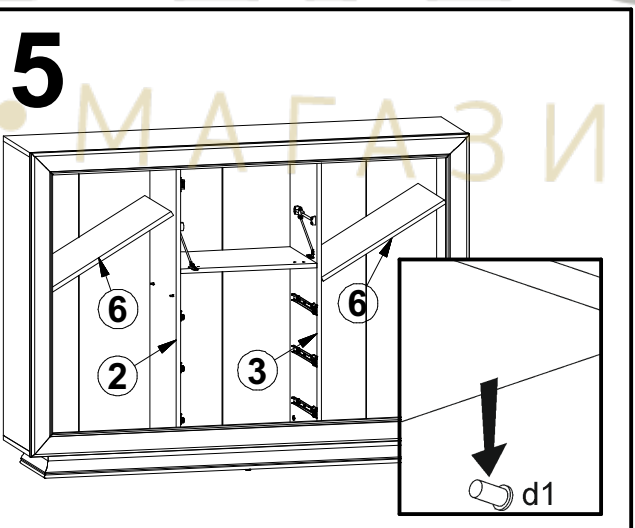
3



4



5



LARGO Classic

REG2D1K3S - FRN1

A	B	C	D	
1	S56-004	446	896	5/5
2	S56-005	496	356	5/5
3	S56-006	496	176	5/5
4	S56-007	496	176	5/5

