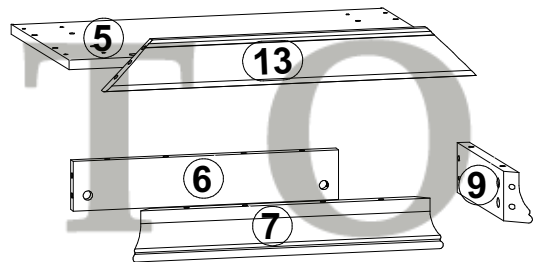
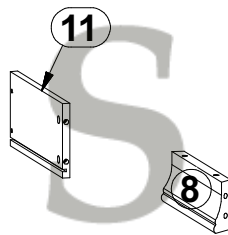
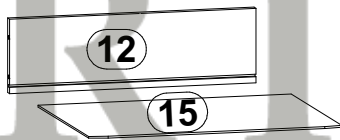
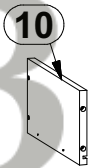
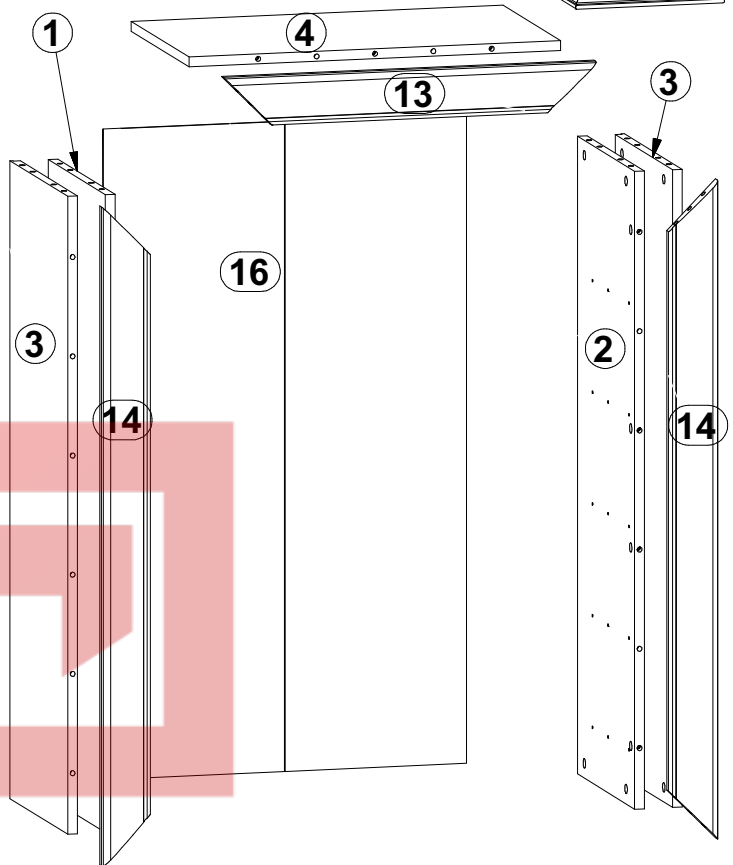
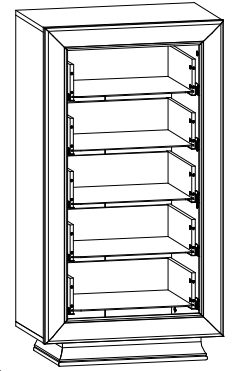


LARGO Classic

KOM5S/6



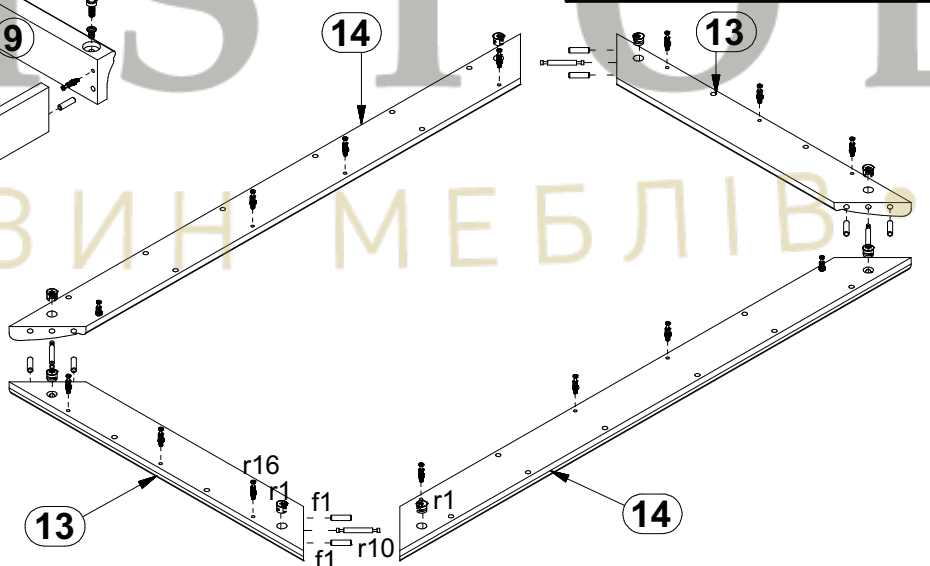
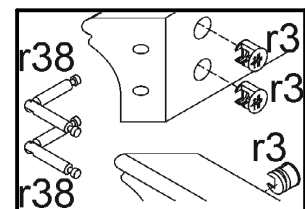
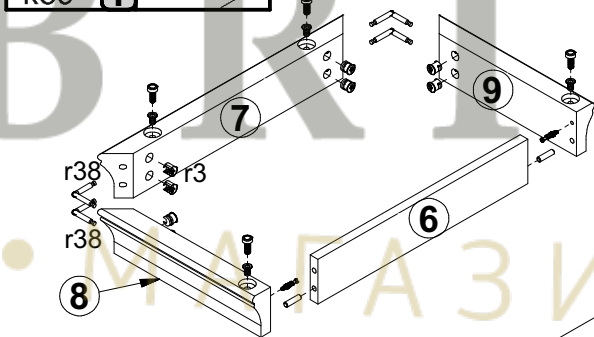
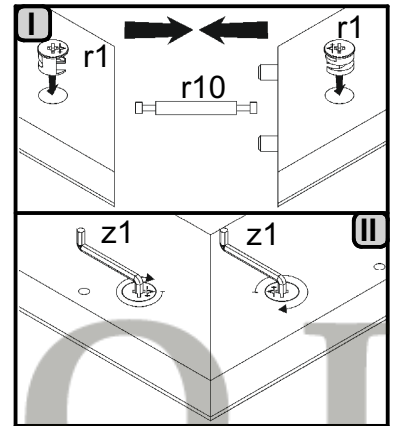
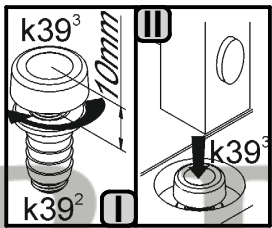
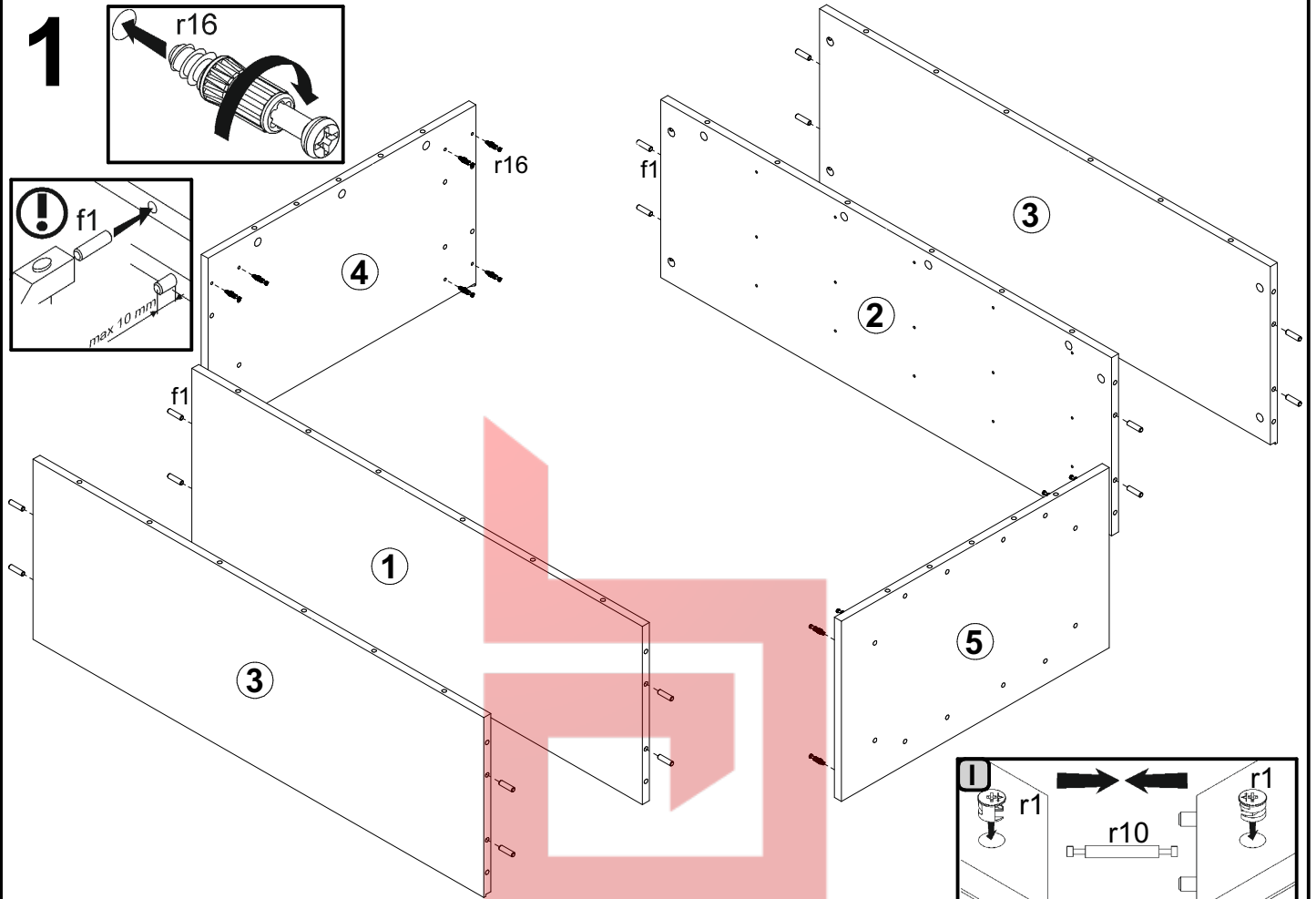
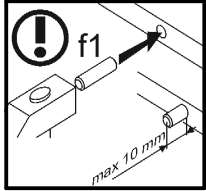
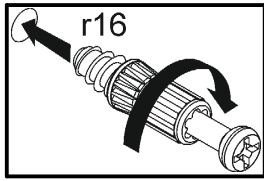
A	B	C	D	
1	S56-111	1028	351	1/5
2	S56-112	1028	351	1/5
3	S56-1113	1028	351	1/5
4	S56-2201	611	351	2/5
5	S56-2202	611	351	2/5
6	S56-402	436	80	2/5
7	S56-451	510	80	4/5
8	S56-452	322	80	4/5
9	S56-453	322	80	4/5
10	S56-501	320	120	2/5
11	S56-502	320	120	2/5
12	S56-504	405	120	2/5
13	S56-571	612	80	3/5
14	S56-577	1062	80	3/5
15	S56-901	416	318	2/5
16	S56-9956	1048	597	1/5

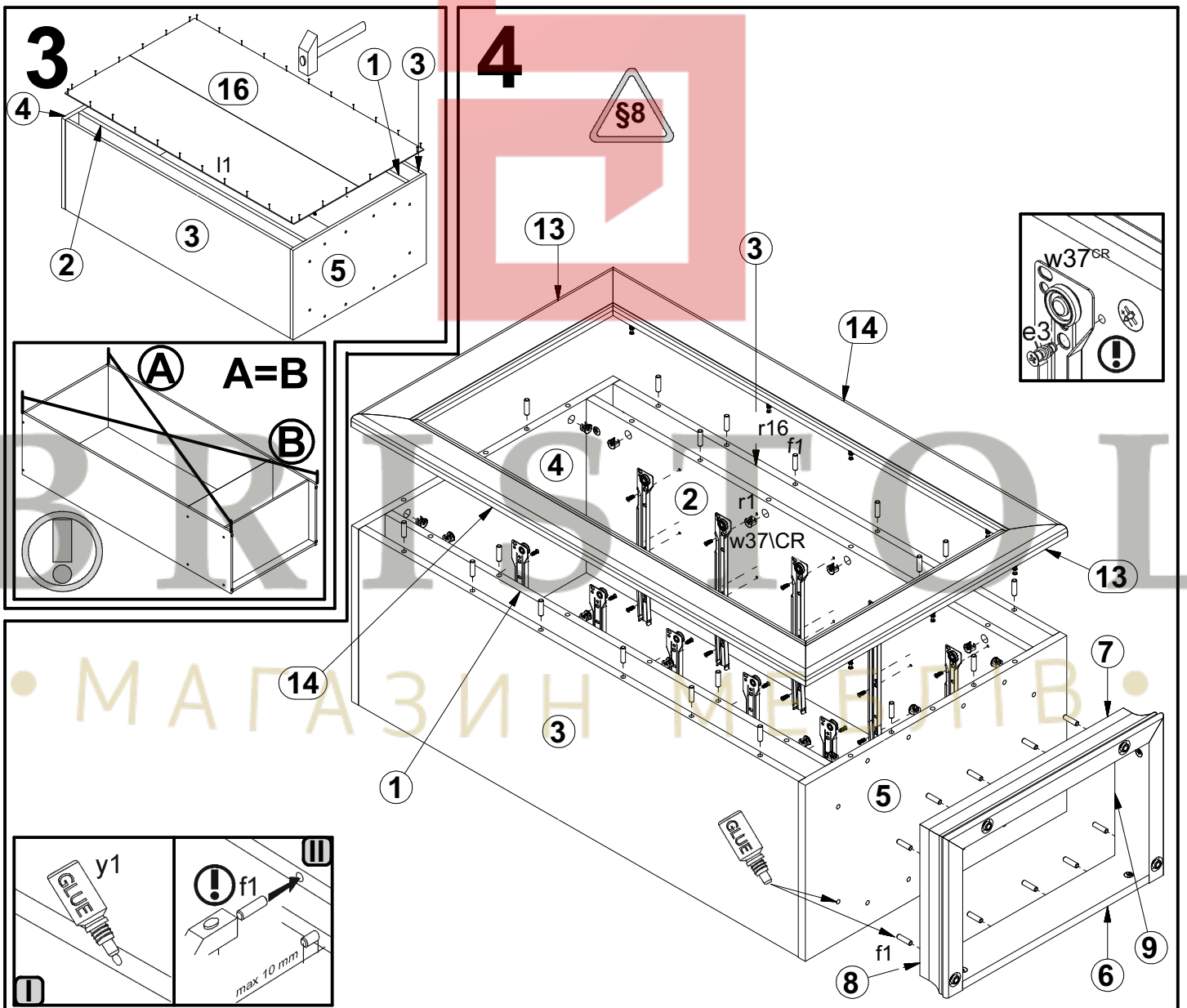
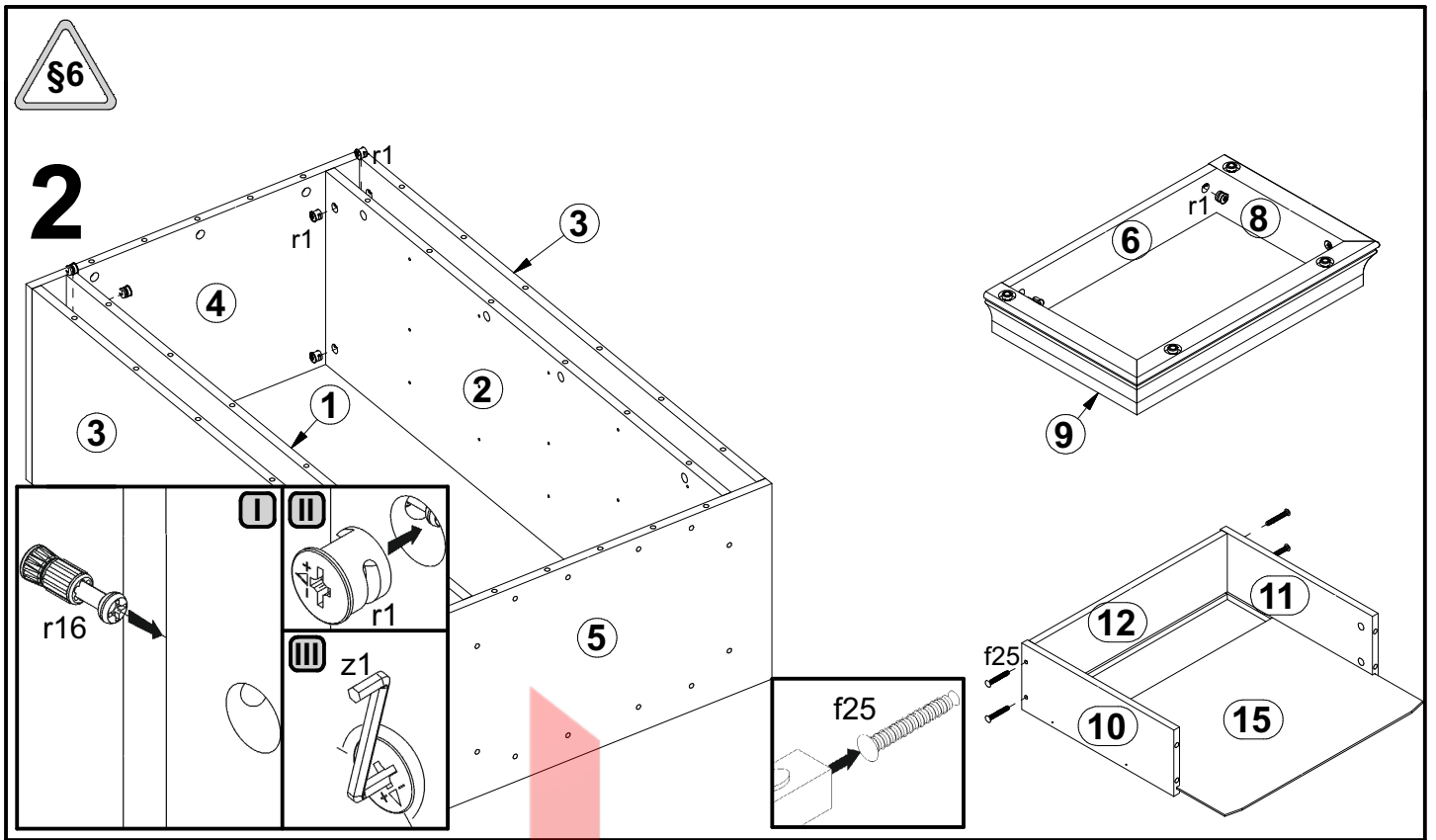


30x φ6x13 mm e3	58x φ8x30 mm f1	20x φ6.5x40 mm f25	4x M6-φ9x14 mm k39 ²	4x M6/22mm k39 ³	34x l1	20x φ3x12 mm p54	40x φ1.5x12mm #16 r1	8x φ1.5x15mm #22 r3
4x r10	20x φ12x10.5mm #12 r15	52x r16	4x r38	5x 300 mm w37 ^{CL}	5x 300 mm w37 ^{CR}	5x 300 mm w37 ^{DL}	5x 300 mm w37 ^{DR}	1x GLUE y1
1x z1	1x n26 ¹	1x φ3.5x16 mm p38						



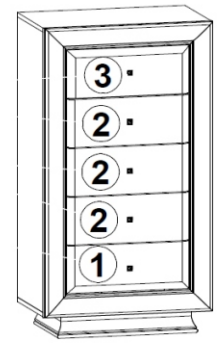
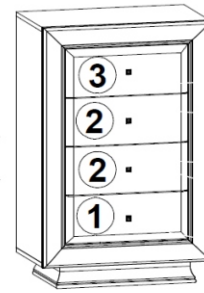
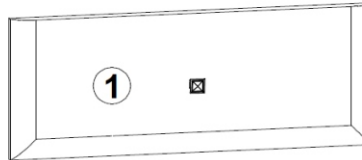
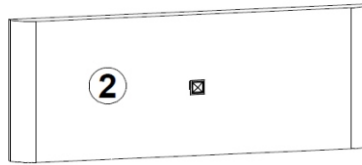
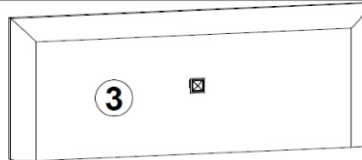
1





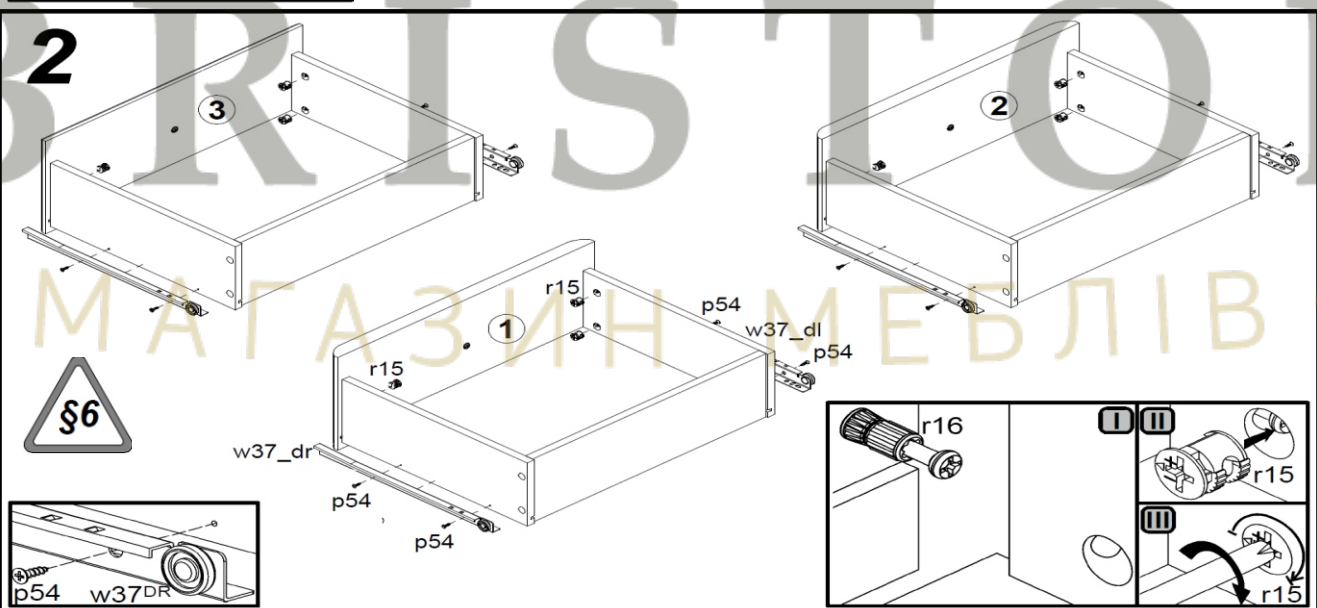
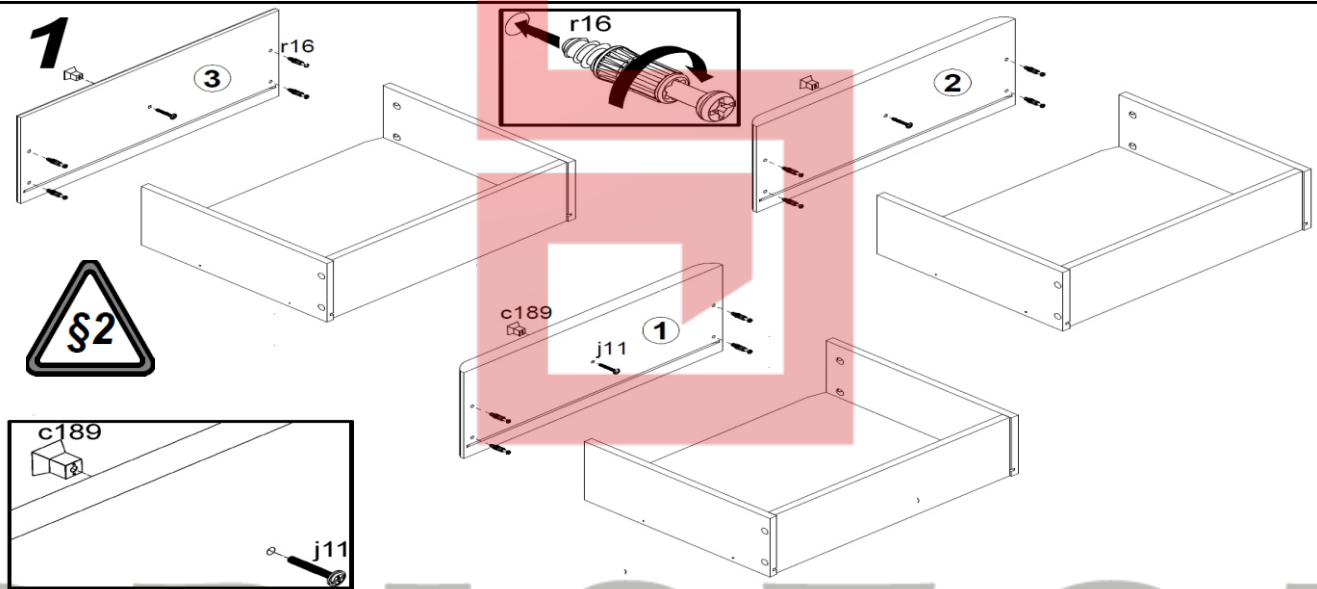
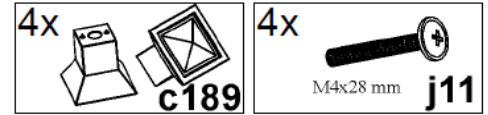
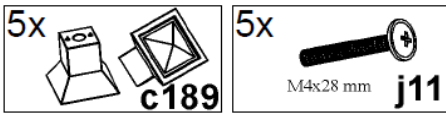
LARGO ClassicKOM4S/6; KOM5S/6

A	B	C	D	
1	S56-010	446	176	5/5
2	S56-011	446	176	5/5
3	S56-012	446	176	5/5



KOM5S/6

KOM4S/6



P28-S56-KOM4S_6-M_IN12-FRN01.