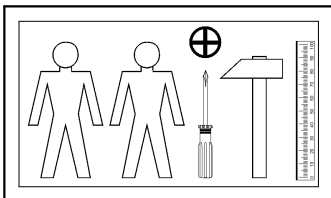
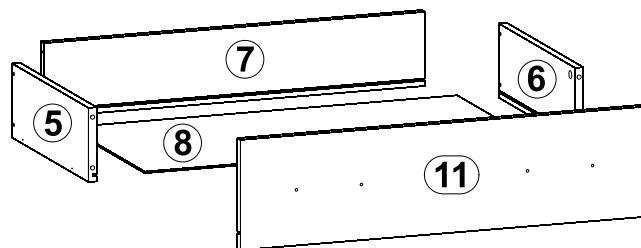
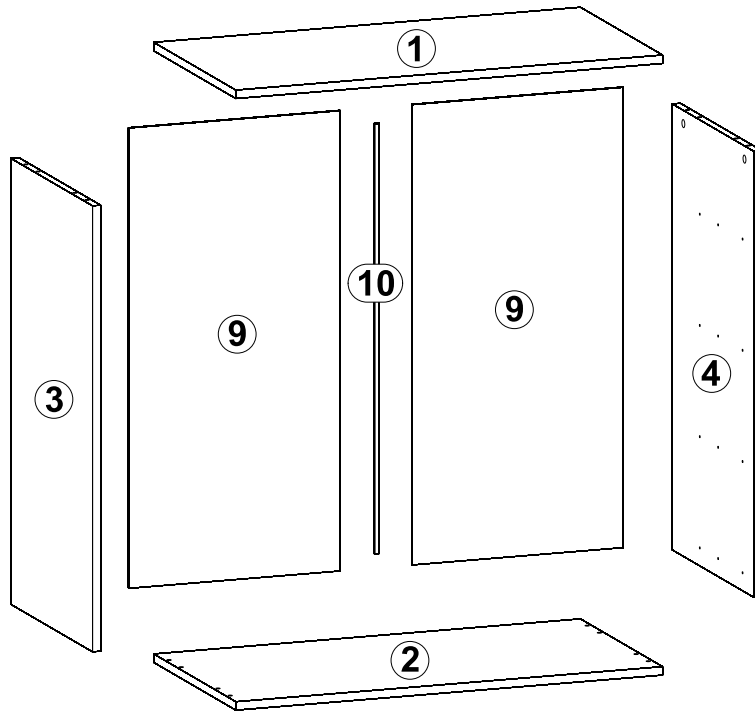
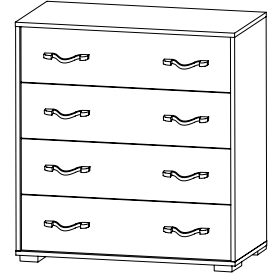
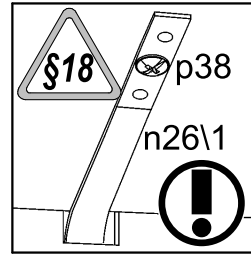


A	B	C	D
1	FL1-207	840	430 1/2
2	FL1-208	840	430 1/2
3	FL1-121	842	428 1/2
4	FL1-122	842	428 1/2
5	FL1-507	400	140 1/2
6	FL1-508	400	140 1/2
7	FL1-509	750	140 1/2
8	FL1-905	765	399 1/2
9	FL1-906	869	416 1/2
10	LH-841	841	14 1/2
11	FL1-006	803	207 2/2



8x  <b>c405</b>	4x  φ7x50 mm <b>e1</b>	24x  φ6x13 mm <b>e3</b>	16x  φ5x50 mm <b>e32</b>	8x  φ8x30 mm <b>f1</b>	16x  M4x20 mm <b>j1</b>	4x  <b>k55</b>	35x  <b>l1</b>
1x  <b>n26\1</b>	8x  φ4x35 mm <b>p6</b>	8x  φ3,5x16 mm <b>p25</b>	1x  φ3,5x16 mm <b>p38</b>	16x  φ3x12 mm <b>p54</b>	20x  φ15x12mm #16 <b>r1</b>	20x  20/11 <b>r42</b>	18x  φ16 <b>s2</b>
4x  383 mm <b>t14</b>	4x  400 mm <b>w5\CL</b>	4x  400 mm <b>w5\CR</b>	4x  400 mm <b>w5\DL</b>	4x  400 mm <b>w5\DR</b>	1x  <b>z1</b>		

# 1

