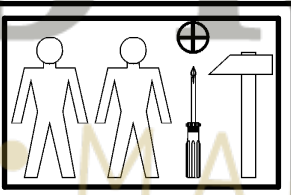
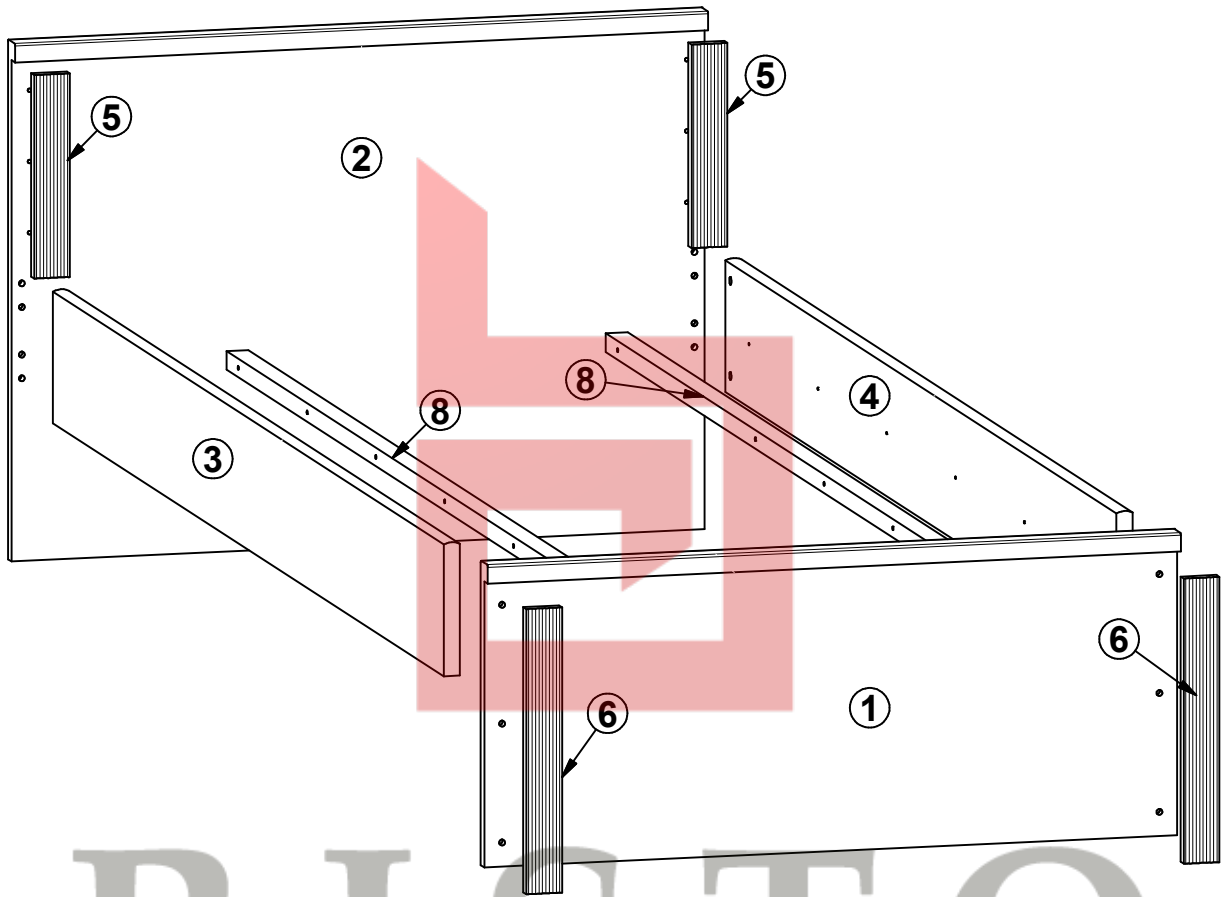
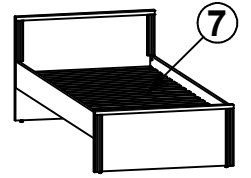


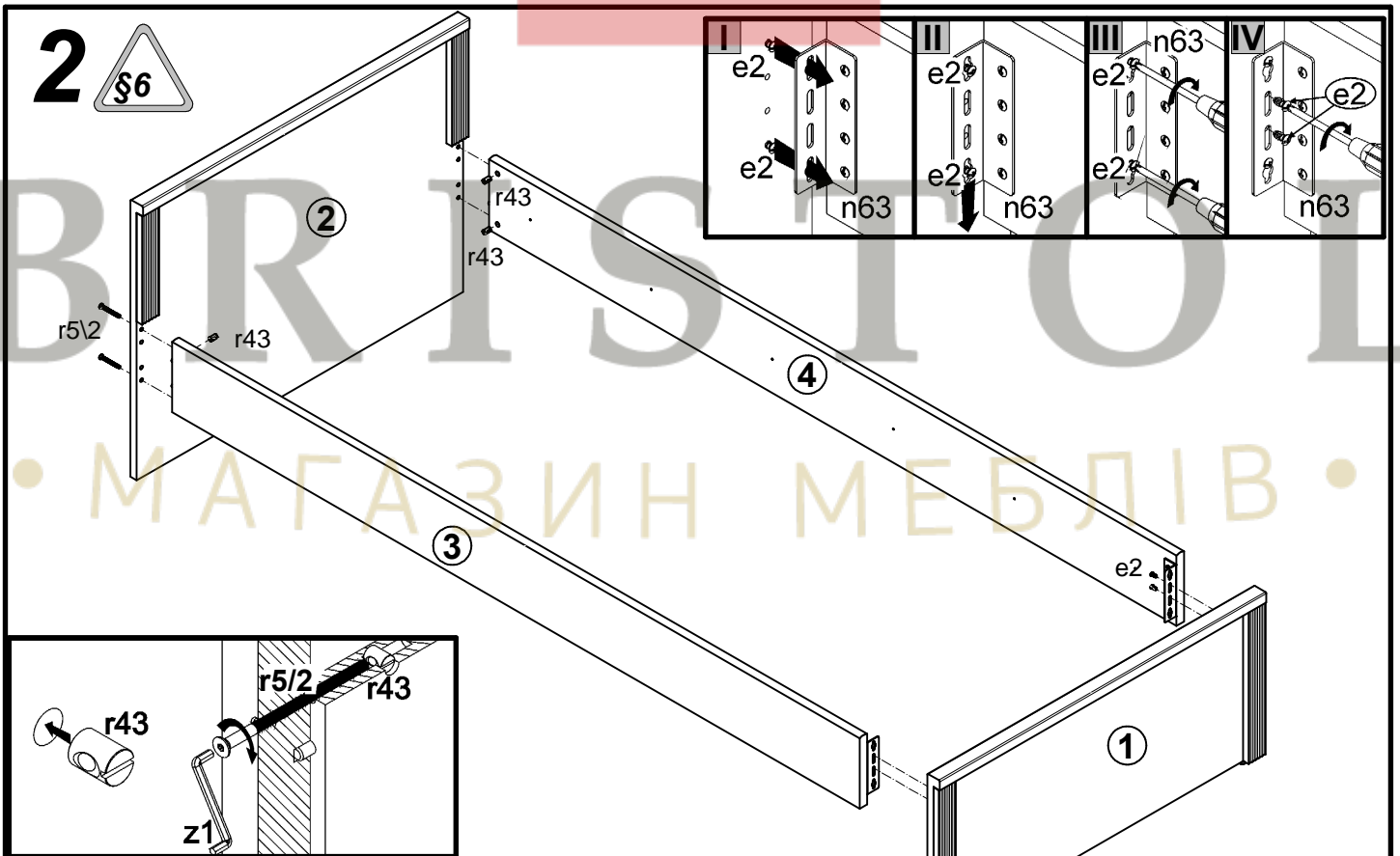
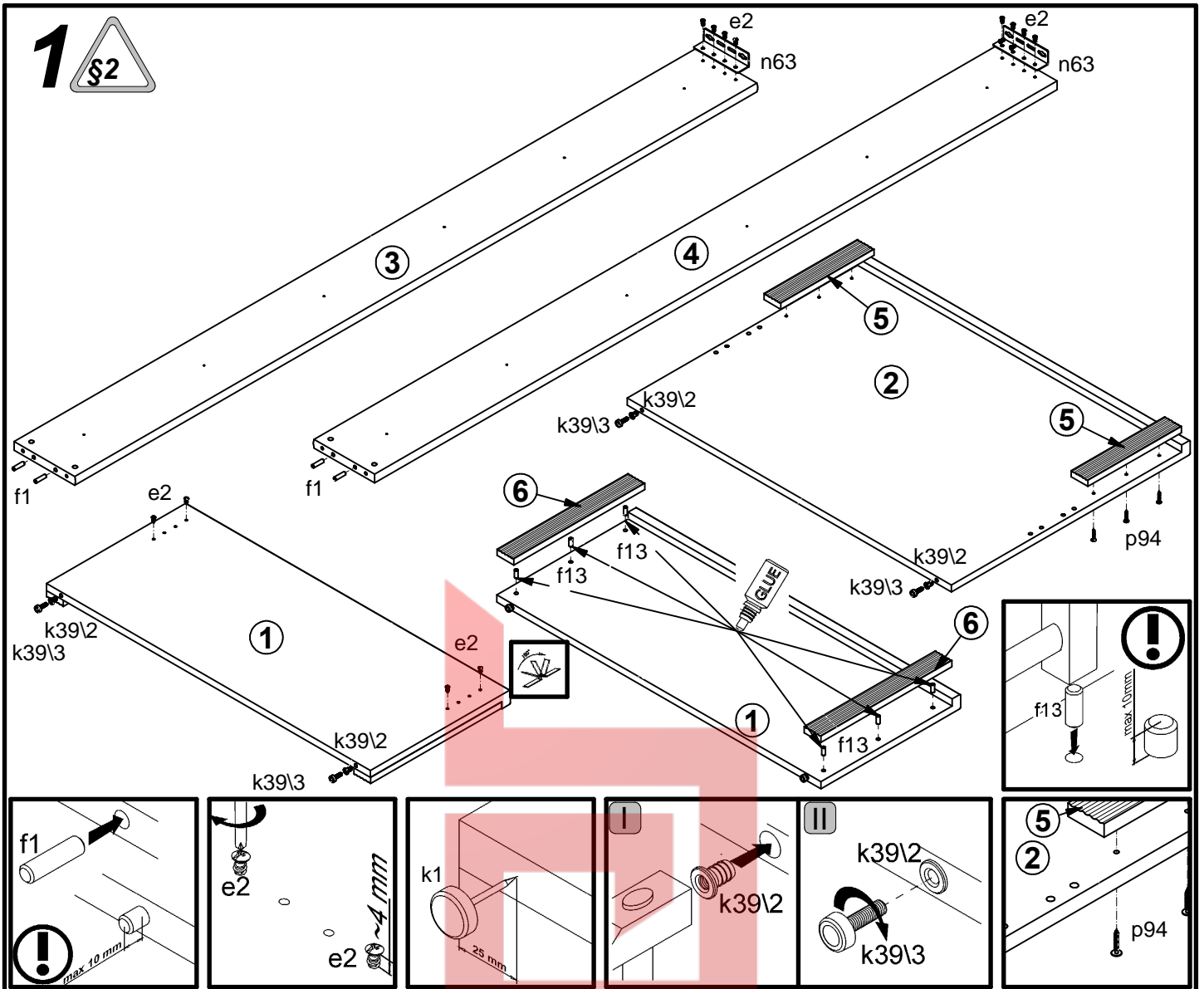
# CAPS

S153-LOZ/90

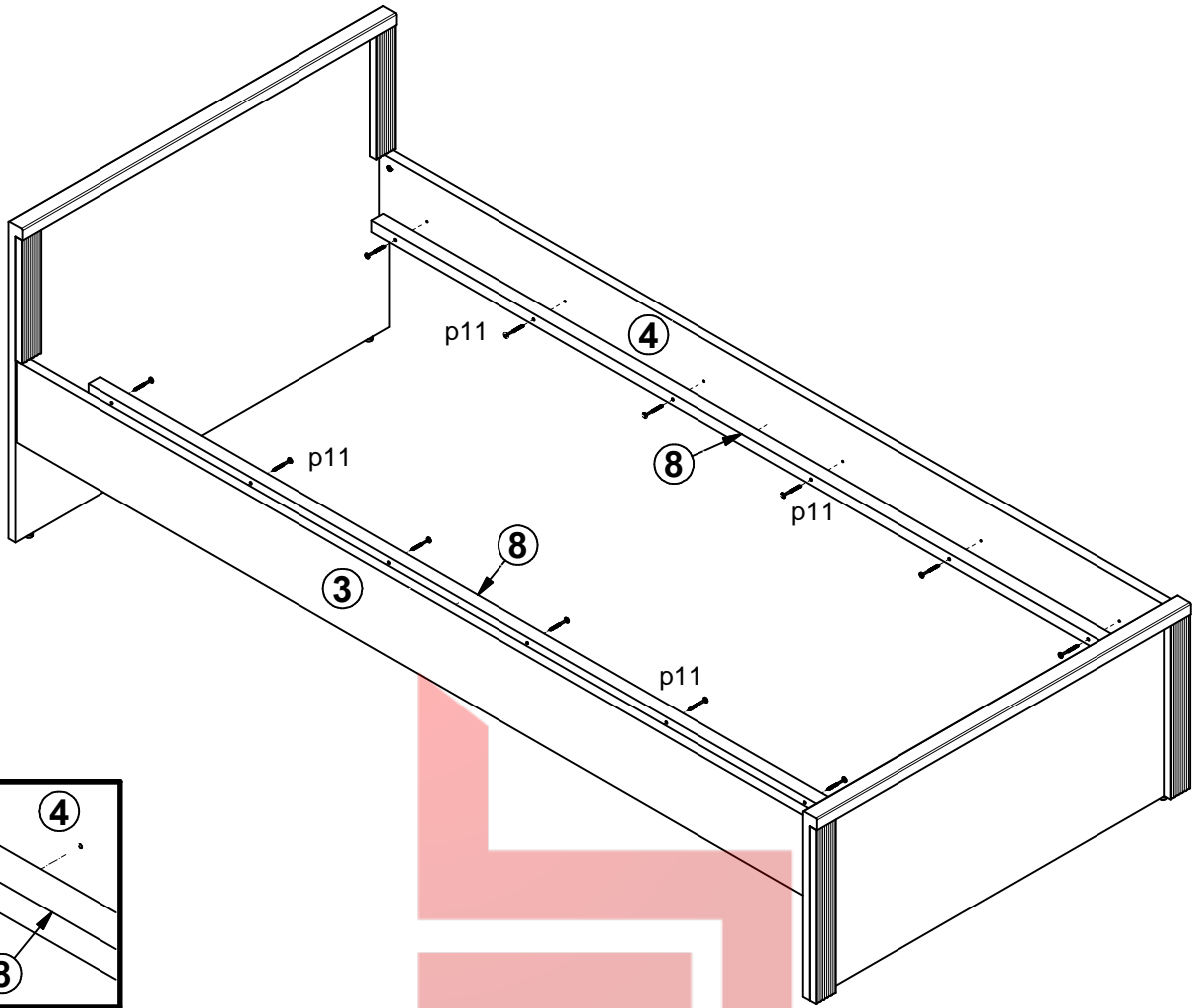
A	B	C	D	
1	S153-006	950	410	1/3
2	S153-007	950	700	1/3
3	S153-109	2000	180	2/3
4	S153-110	2000	180	2/3
5	S153-574	274	49	3/3
6	S153-575	384	49	3/3
7	ZZ1-504	1872	886	1/1
8	ZZ1-720	1880	25	2/3



16x  φ6,3x13 mm e2	4x  φ8x30 mm f1	6x  φ8x20 mm f13	4x  M6-φ9x14 mm k39/2	2x  130x34x34/2mm n63	12x  φ4x45 mm p11	6x  φ4x35 mm p6	6x  φ4x28 mm p94	4x  φ10x16mm r43
4x  φ6x54 mm r5/2	1x  z1	4x  M6/22mm k39/3	1x  GLUE y1					



# 3



# 4

