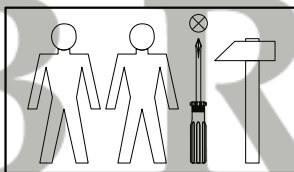
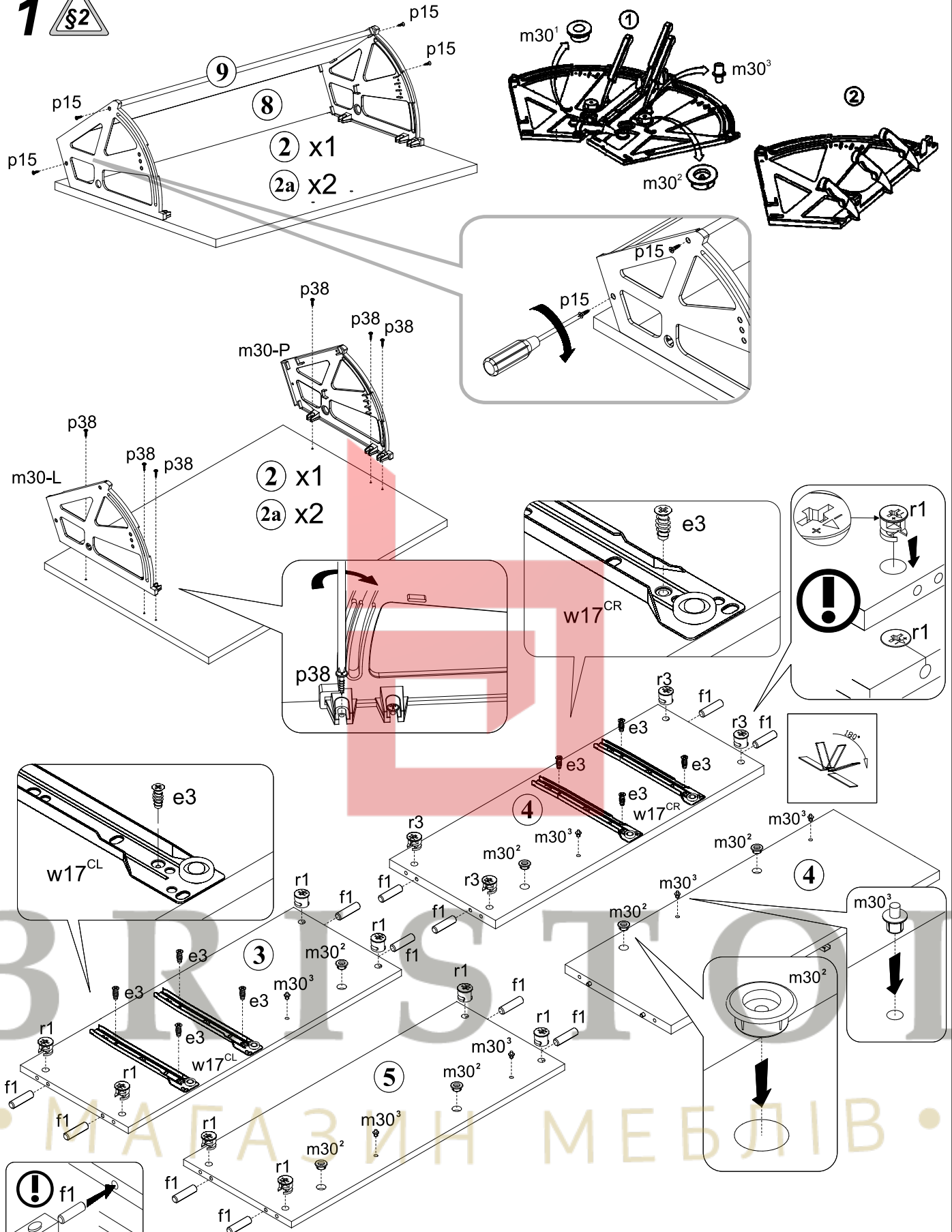


A	B	C	D
1	S19-0123	518 x 193	1/1
2	S19-0122	518 x 390	1/1
2a	S19-0122A	518 x 390	1/1
3	S19-1236	800 x 316	1/1
4	S19-1238	800 x 316	1/1
5	S19-1237	800 x 316	1/1
6	S19-260	1101 x 320	1/1
7	S19-261	1101 x 320	1/1
8	S19-5535/A	511 x 90	1/1
9	S19-5536/A	511 x 138	1/1
10	S19-5534	466 x 140	1/1
11	S19-5514	1095 x 315	1/1
12	S19-518	290 x 140	1/1
13	S19-519	290 x 140	1/1
14	S19-987	838 x 273	1/1
15	S19-9930	481 x 249	1/1
16	LH-799	799 x 14	1/1



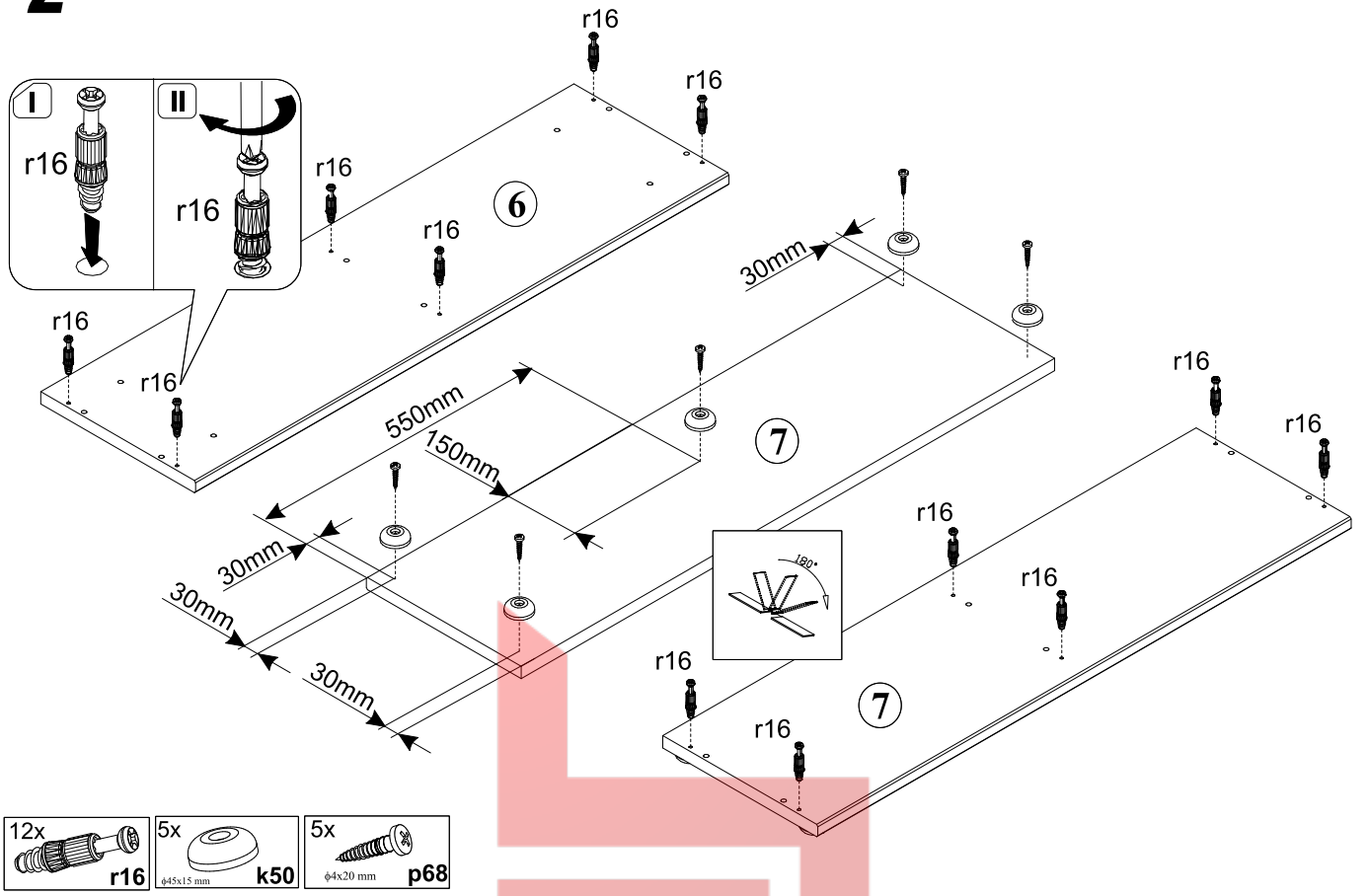
5x 160 mm c193	14x φ6x13 mm e3	8x φ5x50 mm e32	12x φ8x30 mm f1	4x M6 j10	4x M6x110 mm j107	5x k50	55x l1
3x m30-L	3x m30-P	6x m30¹	6x m30²	6x m30³	4x φ6 φ22 o6	4x φ7.4 φ14 o44	10x φ4x30 mm p9
18x φ2.5x13 mm p15	18x φ3.5x16 mm p38	8x φ3x12 mm p54	5x φ4x20 mm p68	16x φ15x12 mm #16 r1	4x φ15x15mm #22 r3	20x r16	11x φ16 s2
4x φ28x70 mm u28	8x u29	2x 250 mm w17^{DR}	2x 250 mm w17^{CR}	2x 250 mm w17^{DL}	2x 250 mm w17^{CL}	1x z1	

1 §2

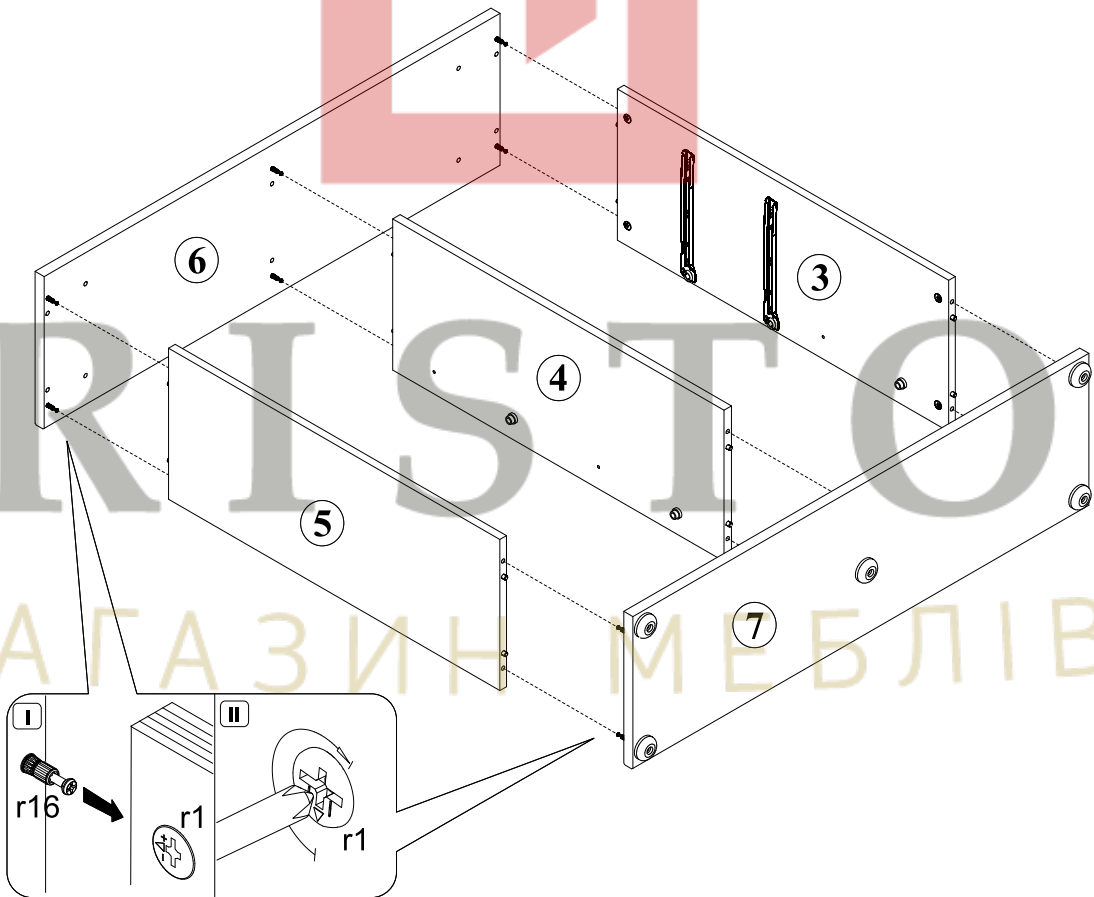


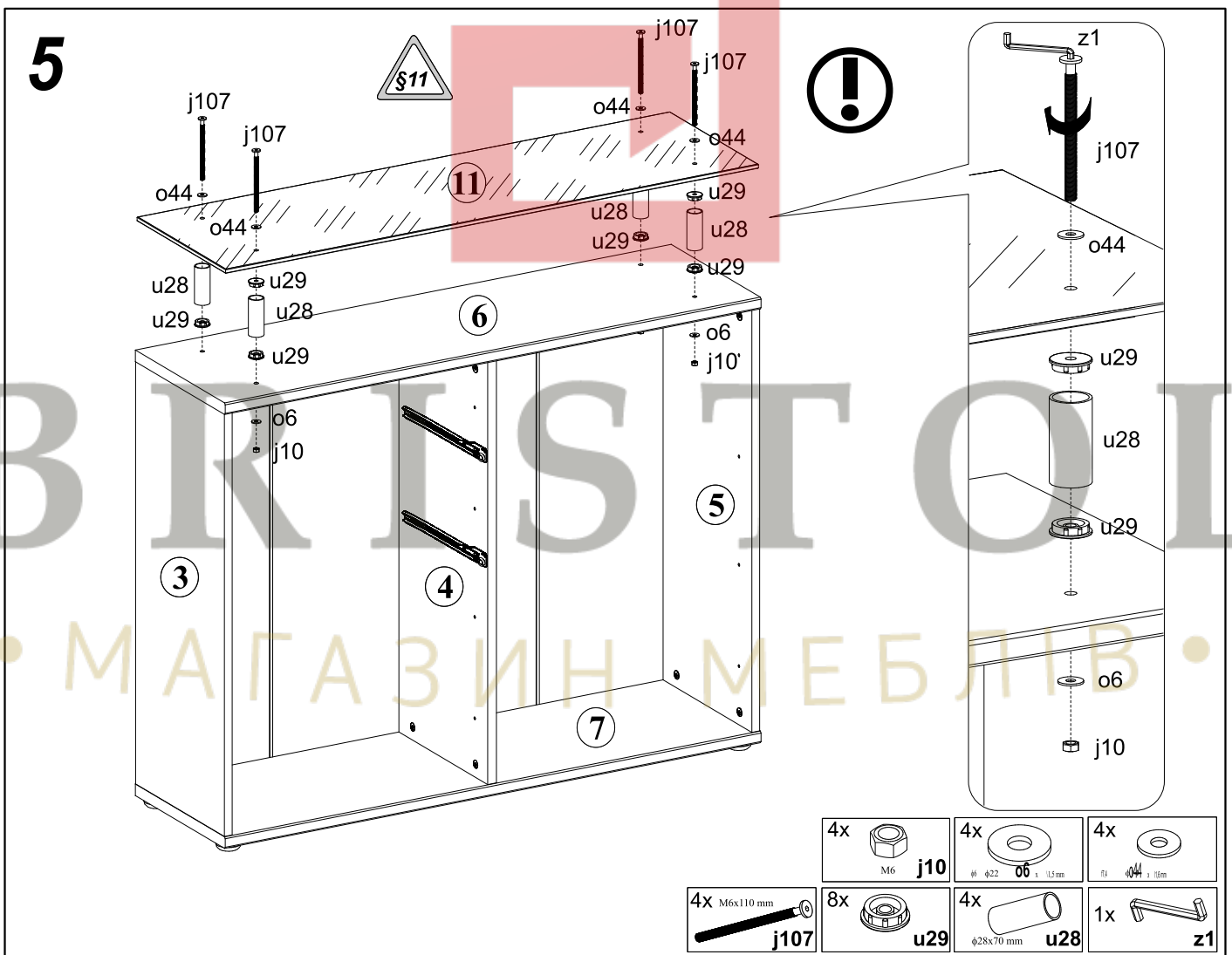
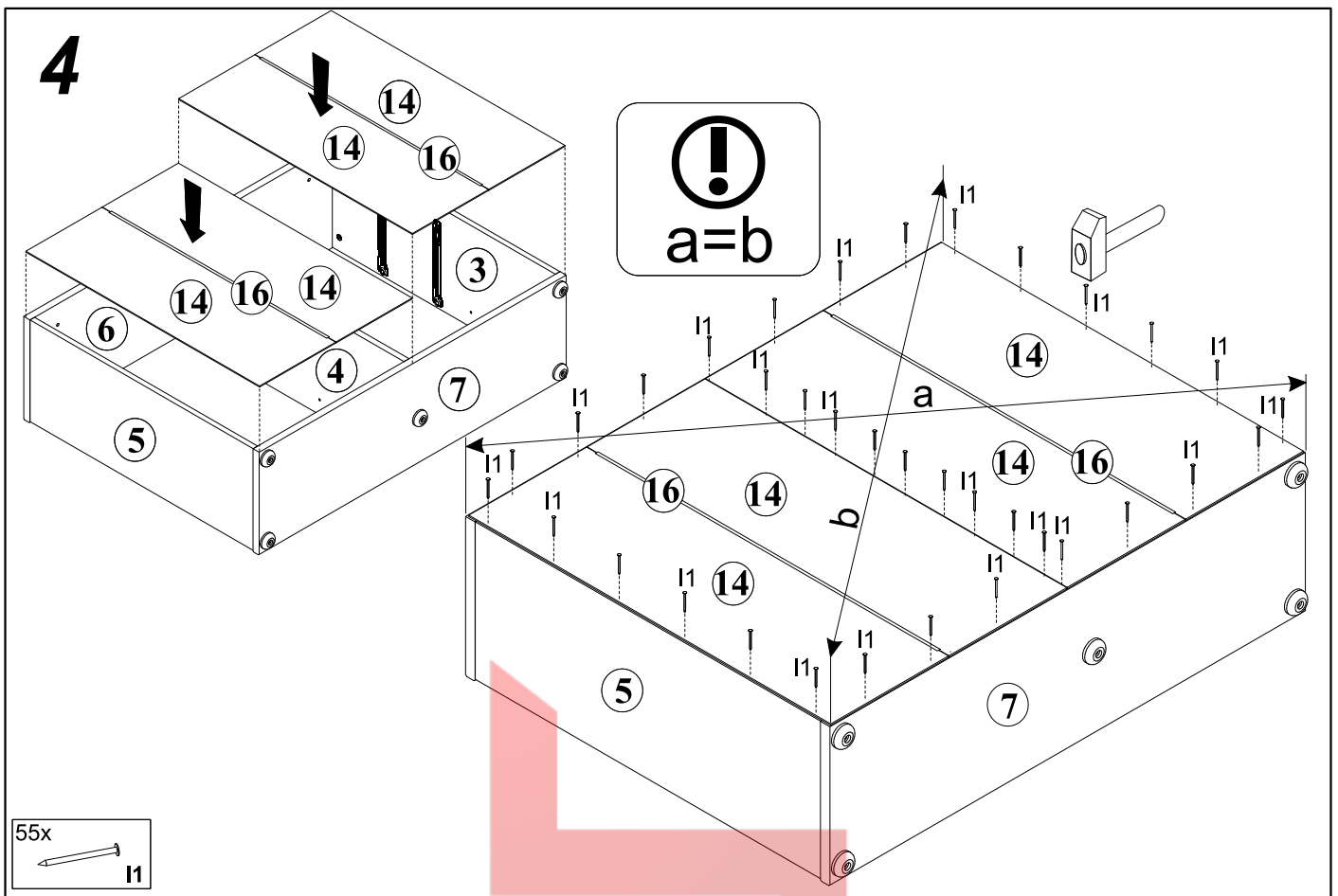
8x φ6x13 mm e3	12x φ8x30 mm f1	3x m30-L	3x m30-P	6x m30¹	6x m30²	6x m30³
12x φ2,5x13 mm p15	18x φ3,5x16 mm p38	12x φ15x12mm #16 r1	2x 250 mm w17DR	2x 250 mm w17CR	2x 250 mm w17DL	2x 250 mm w17CL

2



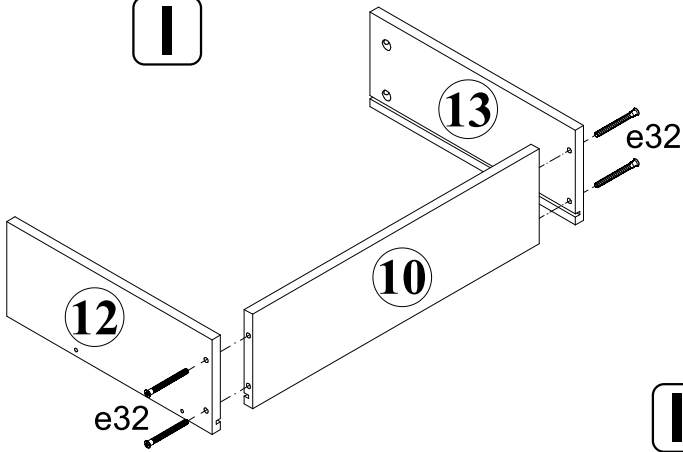
3



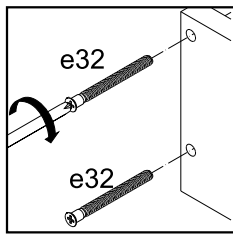
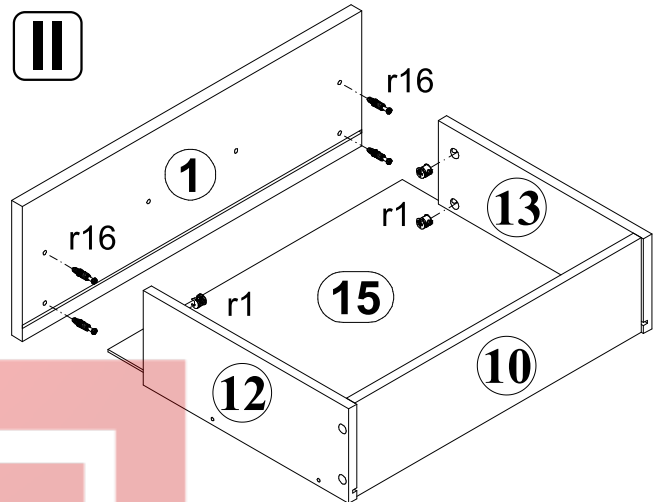


6

I



II



III

