

φ 5 mm
φ 10mm

A	B	C (mm)		D
1	S183-1101	1308	330	1/1
2	S183-1102	1308	330	1/1
3	S183-2201	400	330	1/1
4	S183-3301	367	310	1/1
5	S183-3302	367	300	1/1
6	S183-303	362	280	1/1
7	S183-552	960	310	1/1
8	S183-704	396	1320	1/1
9	S183-9901	1309	377	1/1

10 58 WW 11

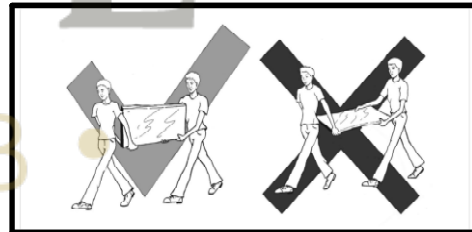
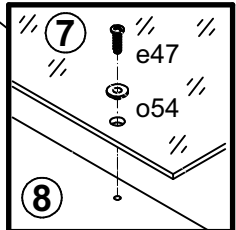
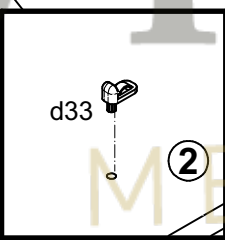
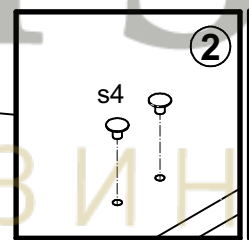
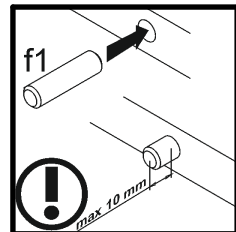
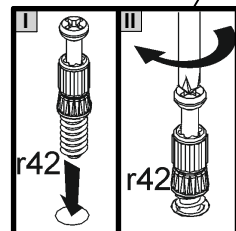
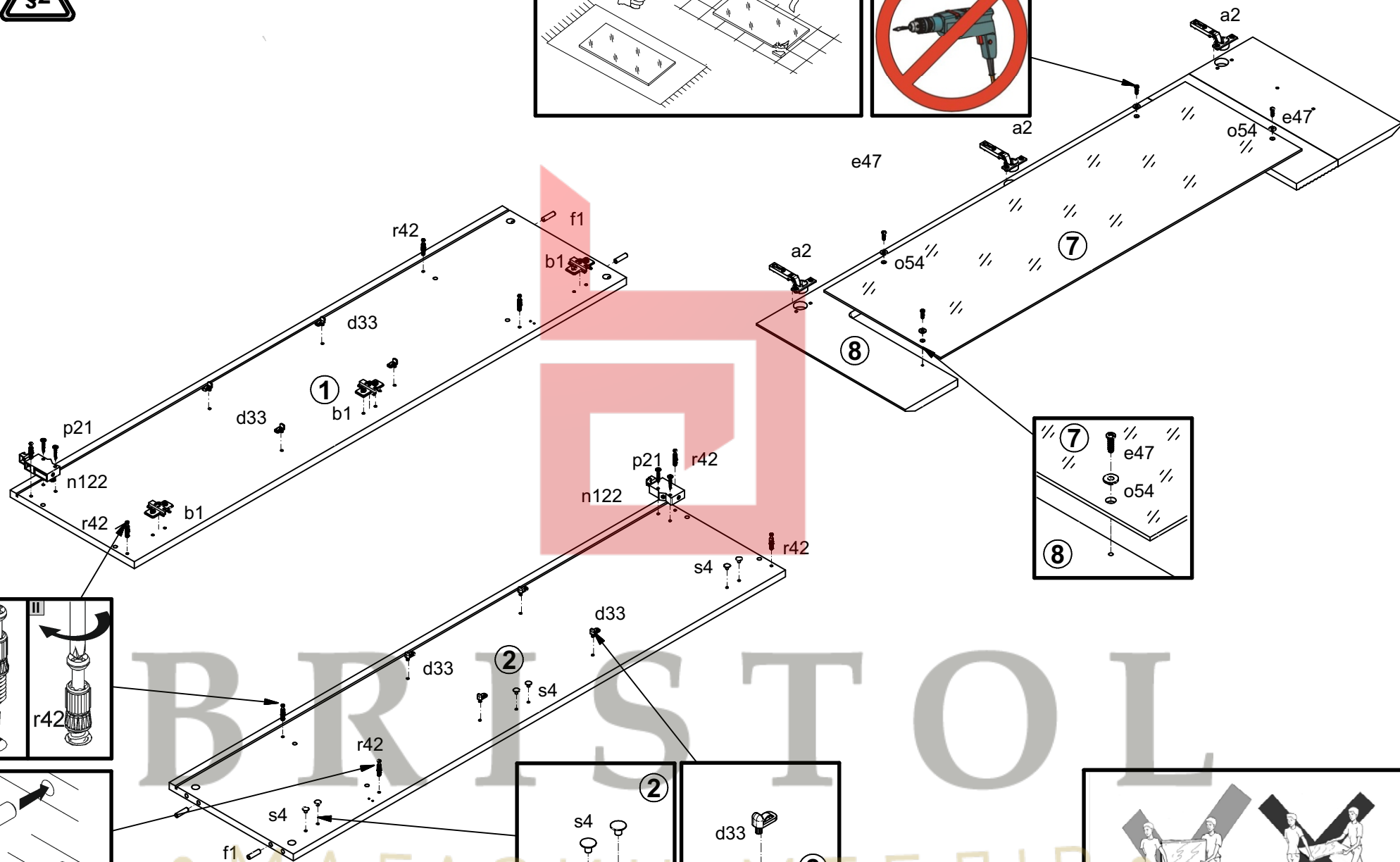
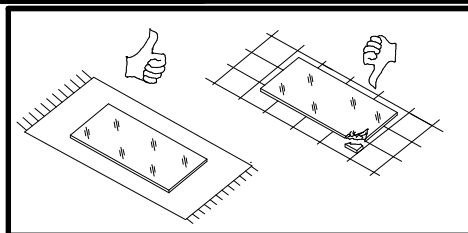
A	B	C (mm)	D
10	qc33/2		1/1

10 57 WW 11

A	B	C (mm)	D
10	qc33/4		1/1

3x a2	3x b1	1x c344	8x d33	4x e47 φ5x16 mm	12x f1 φ8x30 mm	4x f35 φ10x50 mm	8x l1	8x l2	2x p1 φ3.5x13 mm	4x p17 φ5x60 mm	2x p42 φ3.5x25 mm	4x p21 φ4x30 mm
1x m32	1x m34	2x n122	2x n10	4x o54 φ5.3/φ8.3x4.8 mm	12x r1 φ15x12 mm #16	12x r42	12x s2 φ16	6x s4 φ5	2x s67			

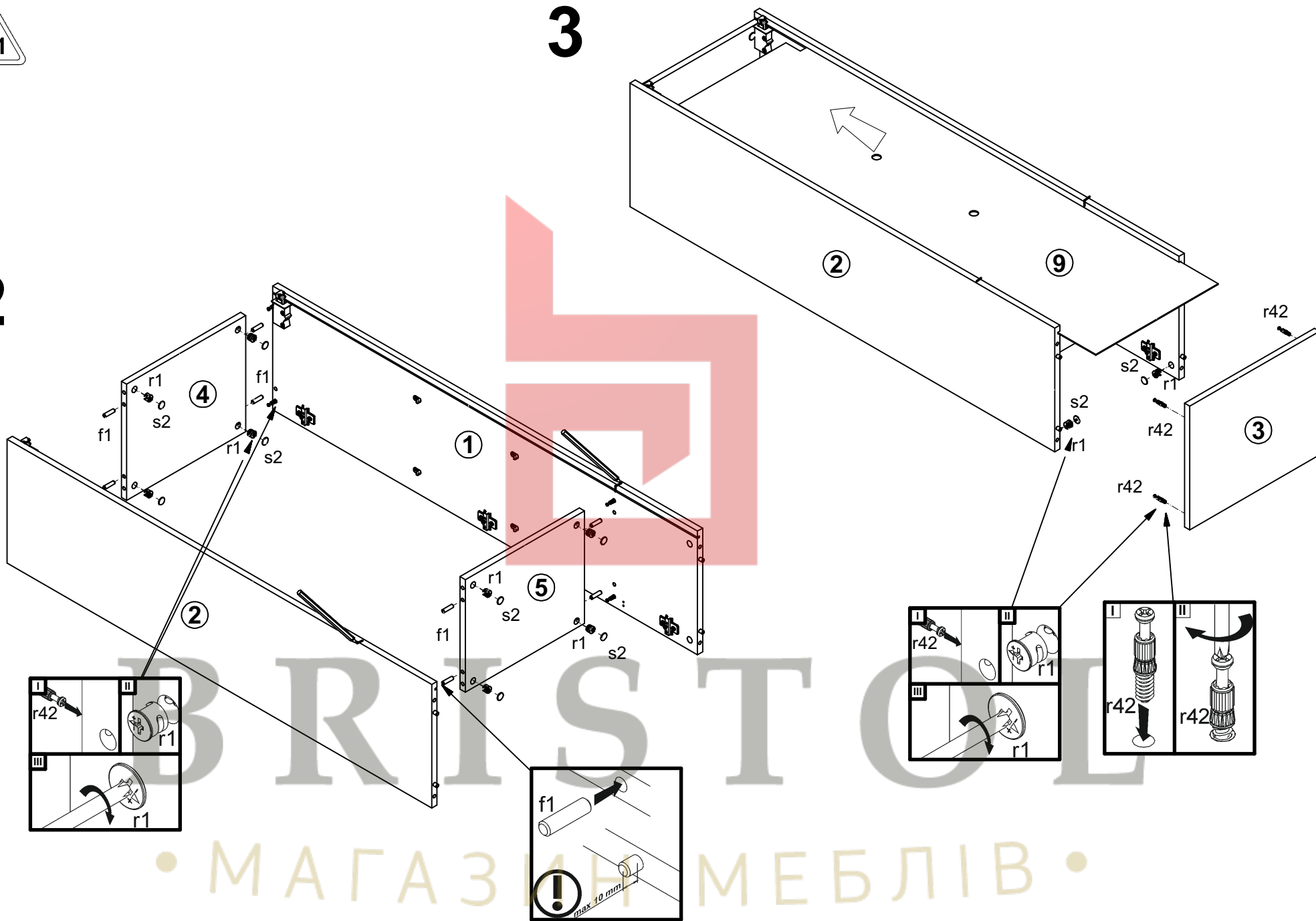
1 



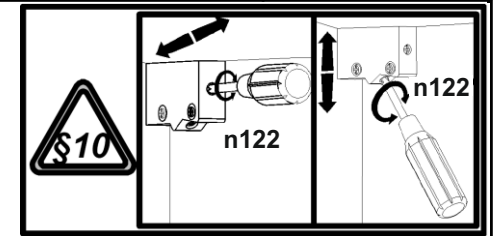
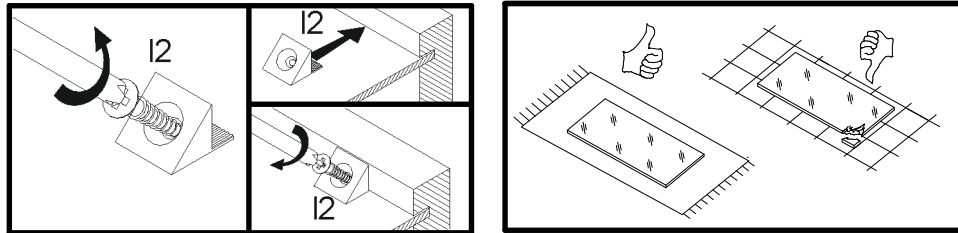


3

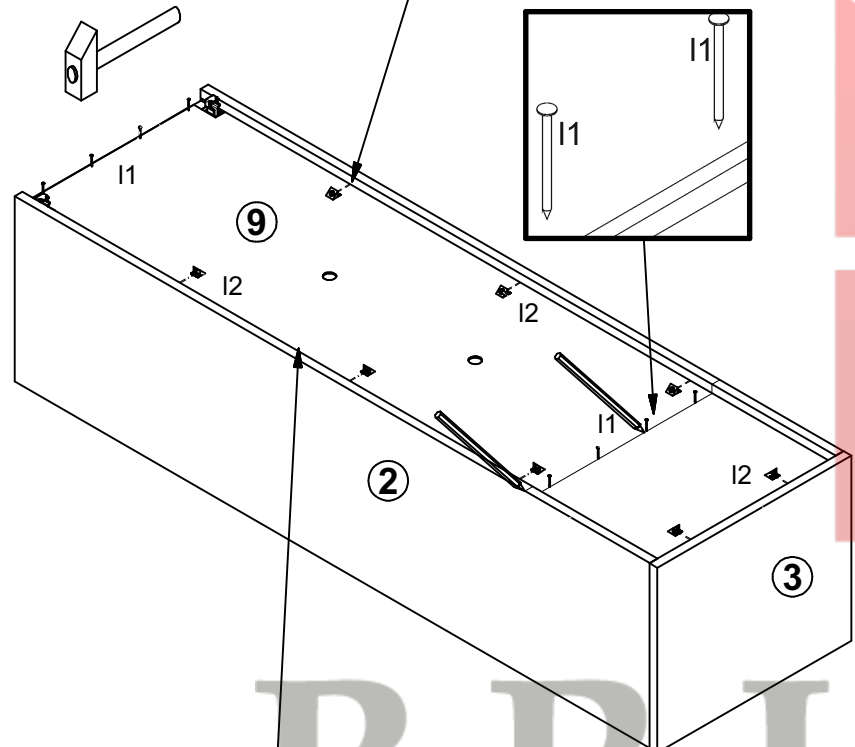
2



4

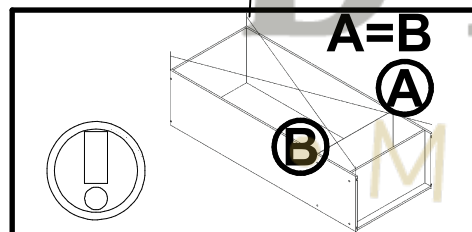
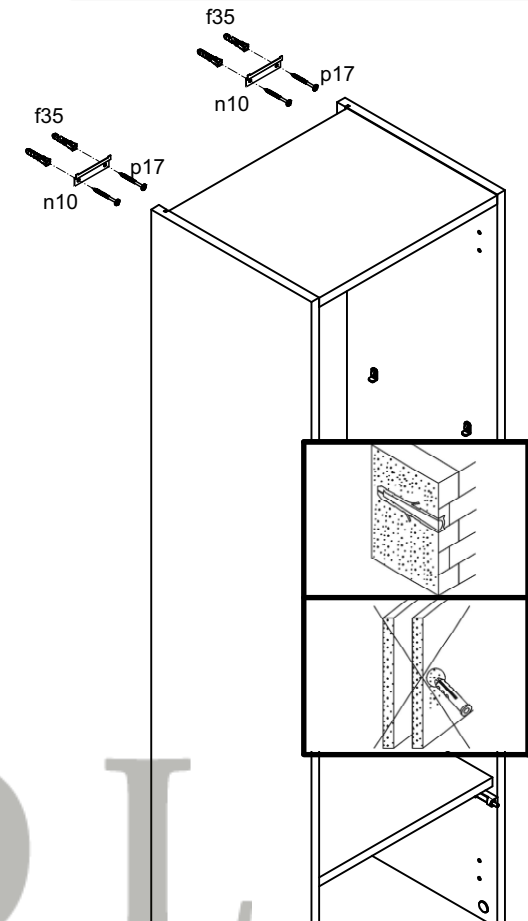


5



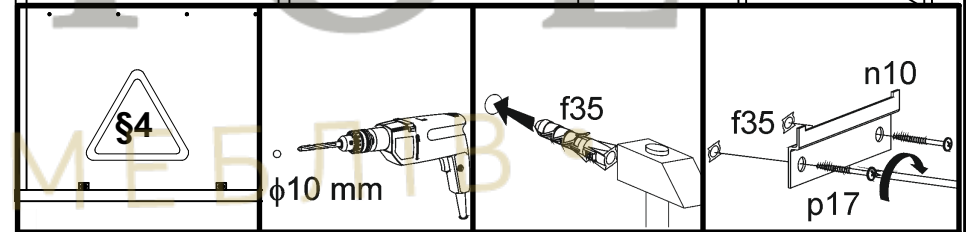
62 mm 244 mm 62 mm

15 mm



A=B

A B



S4

φ10 mm

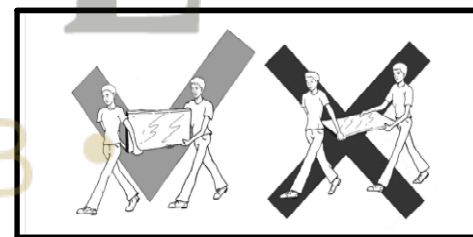
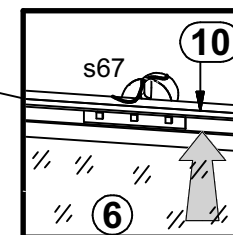
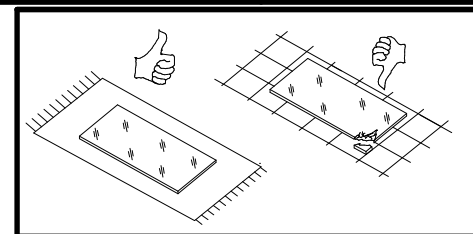
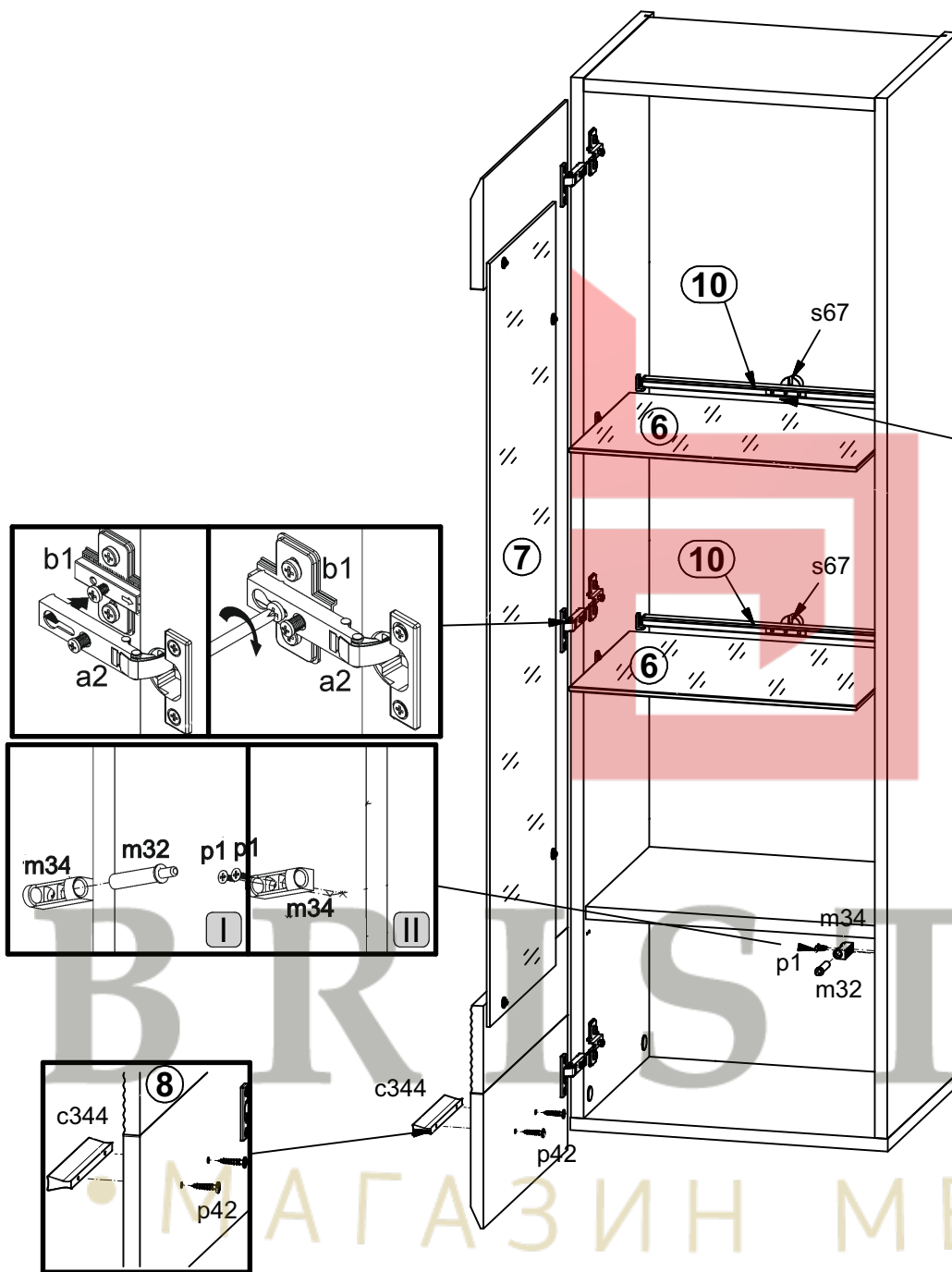
f35

f35

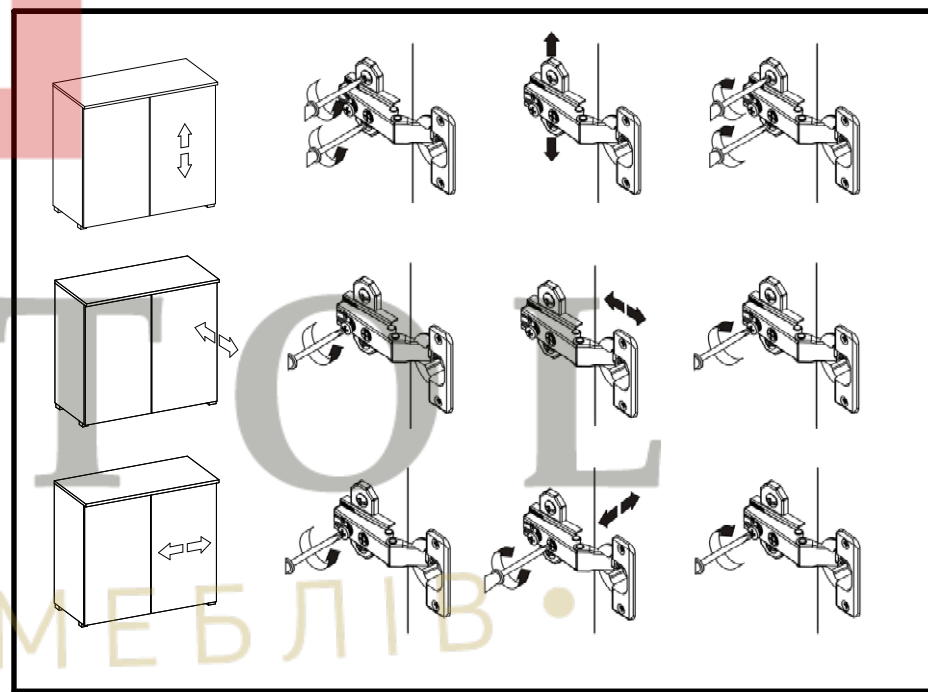
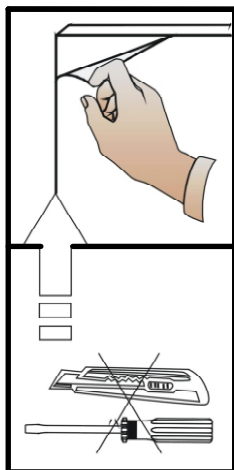
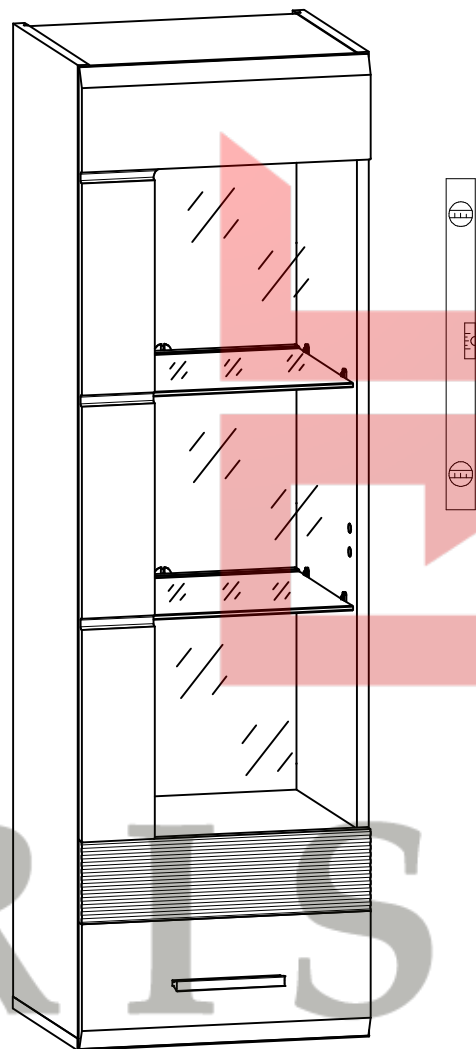
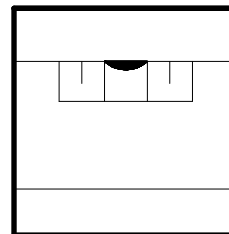
n10

p17

6



7



В РІС ТОЛ
• МАГАЗИН МЕБЛІВ •