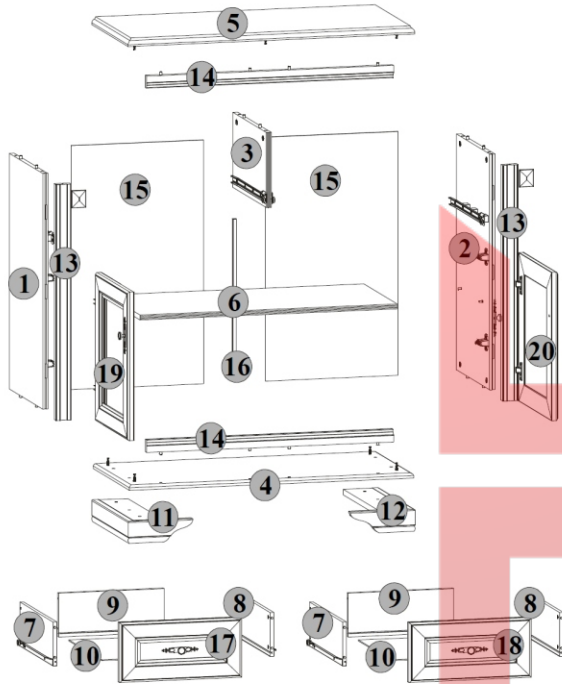


# STYLIUS

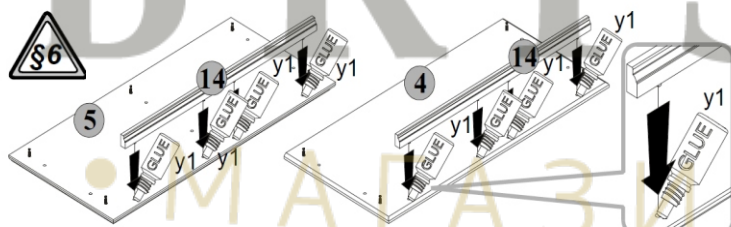
## NKOM 2d2s

A	B	C	D
1	754x405	S21-101	1/6
2	754x405	S21-102	1/6
3	240x403	S21-158	1/6
4	922x438	S21-201	2/6
5	930x438	S21-202	2/6
6	832x403	S21-301	1/6
7	400x140	S21-501	1/6
8	400x140	S21-502	1/6
9	341x140	S21-503	1/6
10	352x398	S21-902	1/6
11	210x442	S21-2573	4/6
12	210x442	S21-2574	4/6
13	754x50	S21-571	3/6
14	798x40	S21-572	3/6
15	780x428	S21-901	1/6
16	512x14	lh-512	1/6
17	396x191	S21-003	6/6
18	396x191	S21-004	6/6
19	475x396	S21-005	5/6
20	475x396	S21-006	5/6

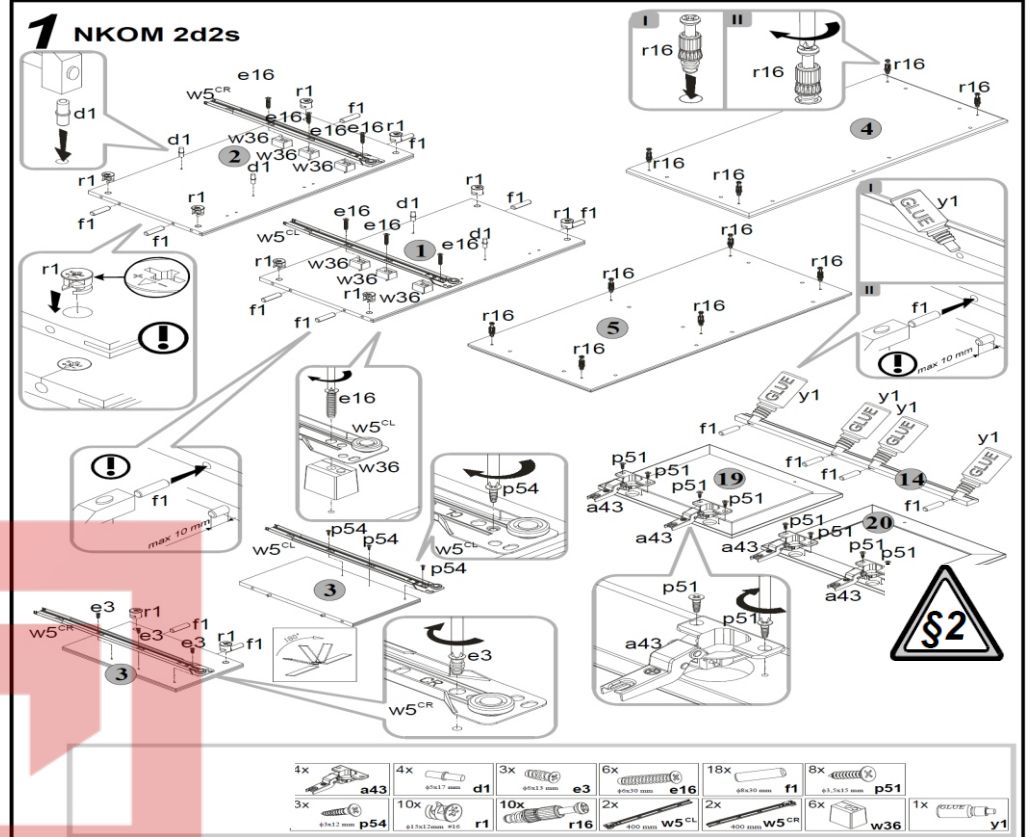


4x c84 <sup>1</sup>	4x c84 <sup>2</sup>	4x $\phi 5 \times 17$ mm d1	8x $\phi 6.3 \times 13$ mm e2	3x $\phi 6 \times 30$ mm e3	6x $\phi 6 \times 30$ mm e16	8x $\phi 5 \times 9$ mm e19	4x a43
6x $\phi 7 \times 28$ mm e22	18x $\phi 6 \times 30$ mm f1	6x $\phi 6 \times 18 \times 4$ mm f11	8x $\phi 6.5 \times 40$ mm f25	2x M4x30 mm j6	2x M4x14 mm j29	2x 42x50x7 mm i21	
35x l1	8x $\phi 3.5 \times 15$ mm p51	3x $\phi 3 \times 12$ mm p54	10x $\phi 1.5 \times 12$ mm #16 r1	8x $\phi 1.2 \times 10.5$ mm #12 r15	18x r16	4x $\phi 16$ mm s2	
2x 400 mm W5 <sup>DR</sup>	2x 400 mm W5 <sup>DL</sup>	2x 400 mm W5 <sup>CL</sup>	2x 400 mm W5 <sup>CR</sup>	6x w36	1x GLUE y1	1x z1	4x b18

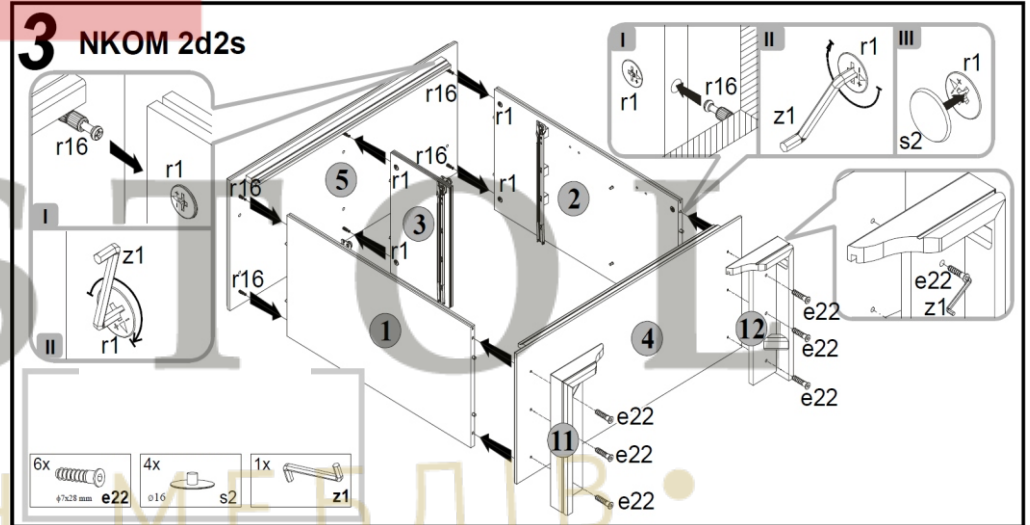
### 2 NKOM 2d2s



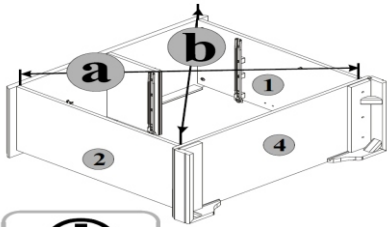
### 1 NKOM 2d2s



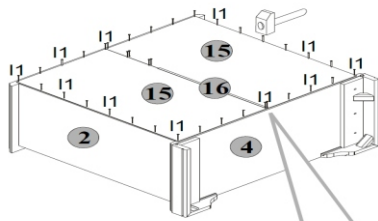
### 3 NKOM 2d2s



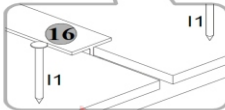
#### 4 NKOM 2d2s



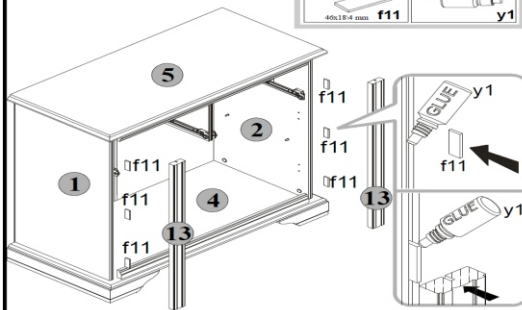
! a=b



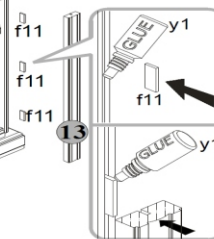
35x I1



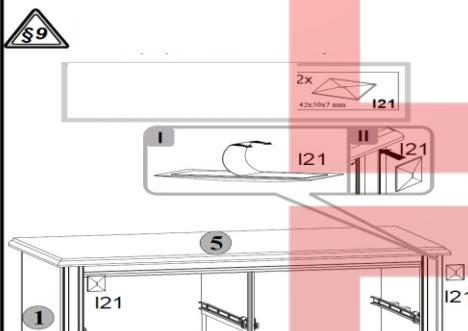
#### 5 NKOM 2d2s



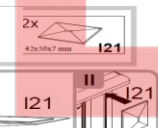
6x 40x184 mm f11 1x y1



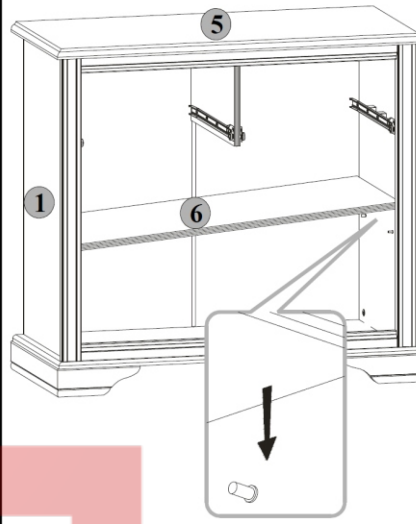
#### 6 NKOM 2d2s



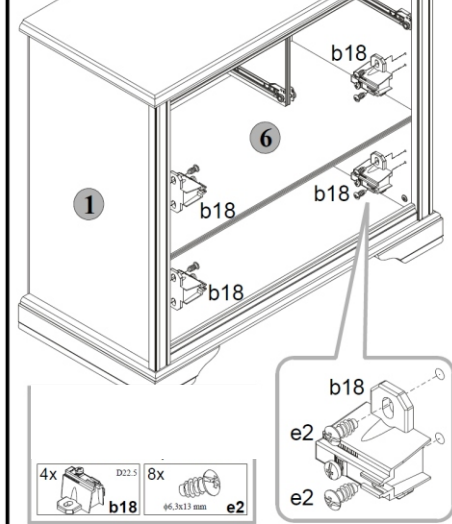
S9



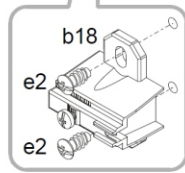
#### 8 NKOM 2d2s



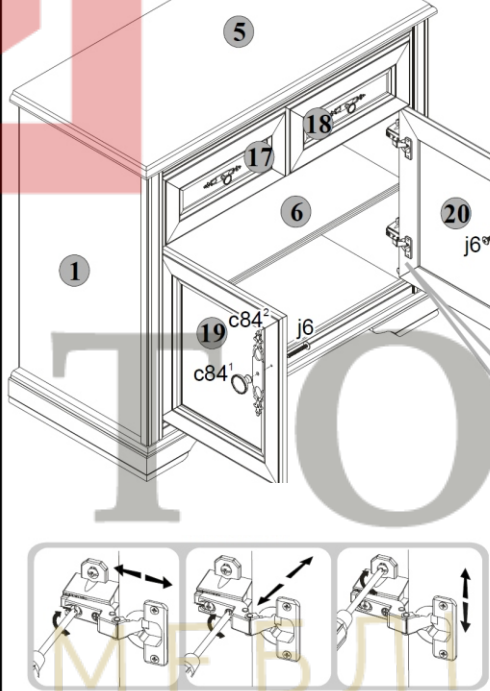
#### 9 NKOM 2d2s



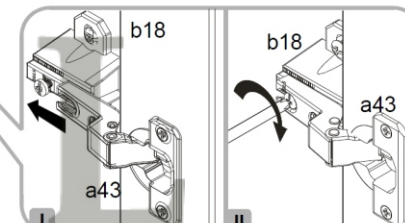
4x D22.5 8x 46.3x33 mm e2



#### 10 NKOM 2d2s

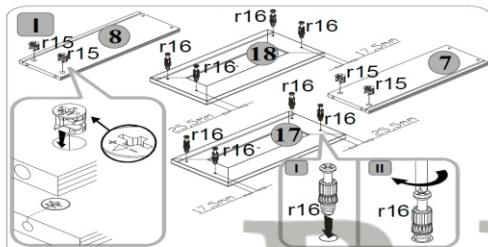


c84<sup>1</sup> c84<sup>2</sup> j6

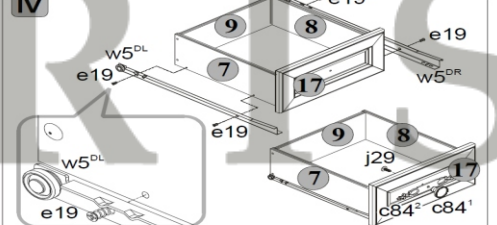
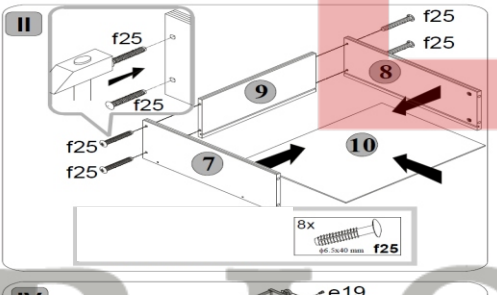
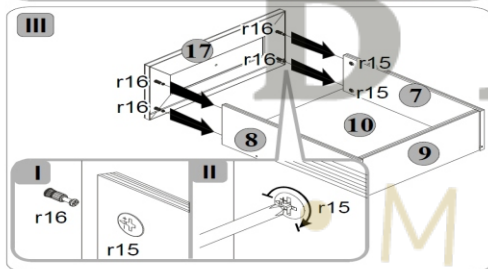


2x c84<sup>1</sup> 2x c84<sup>2</sup> 2x j6

#### 7 NKOM 2d2s



8x 41.2x10.5 mm r15 8x r16



2x c84<sup>1</sup> 2x c84<sup>2</sup> 8x 46.3x33 mm e19 2x 400 mm w5<sup>DL</sup> 2x 400 mm w5<sup>DR</sup>