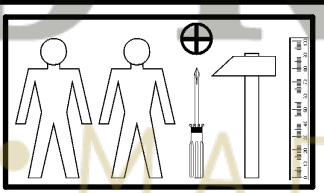
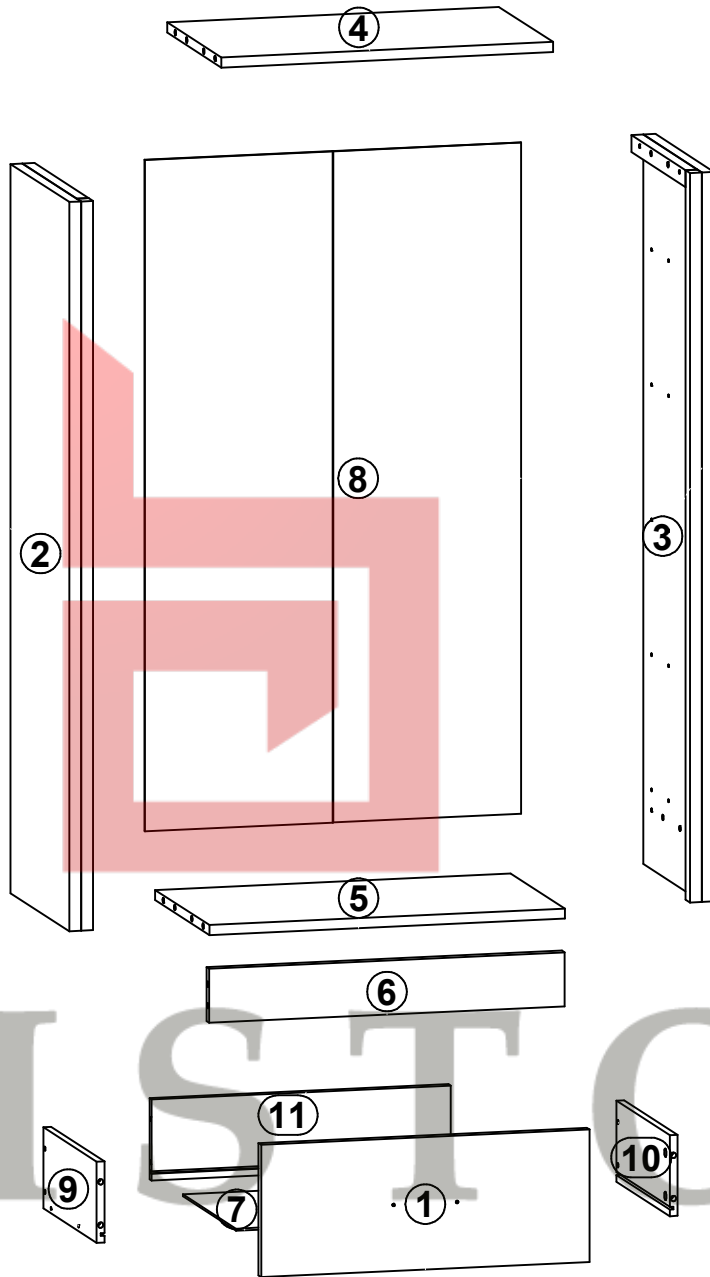
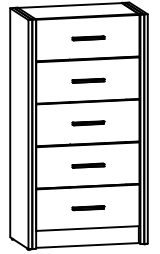


# SETI

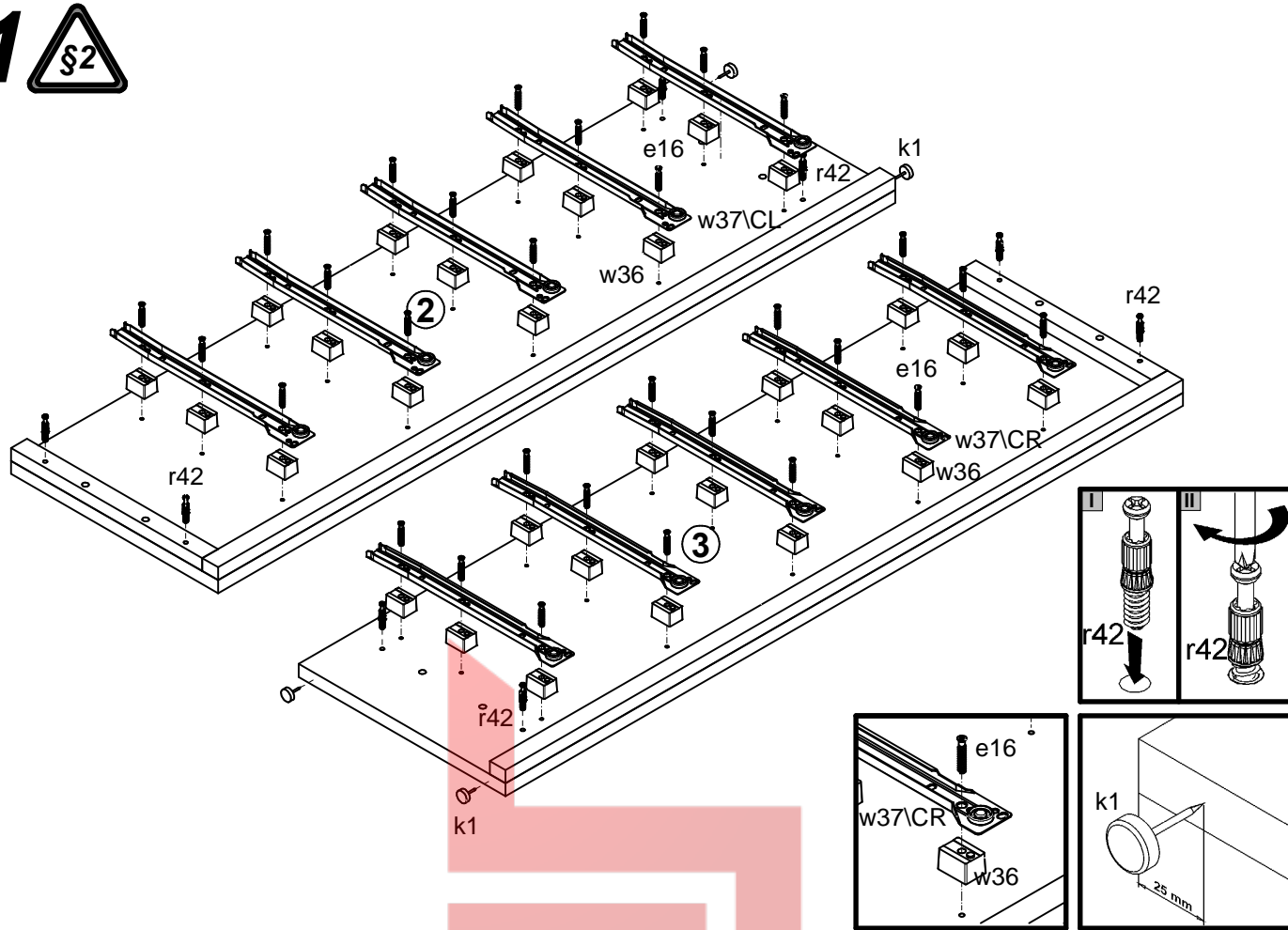
# S135-KOM5S

A	B	C	D	
1	S135-022	495	196	2/2
2	S135-151	1080	330	1/2
3	S135-152	1080	330	1/2
4	S135-307	500	305	1/2
5	S135-354	536	305	1/2
6	S135-425	536	80	1/2
7	S135-925	462	298	1/2
8	S135-926	994	567	1/2
9	ZS2-507	300	120	1/2
10	ZS2-508	300	120	1/2
11	ZS2-5548	451	120	1/2

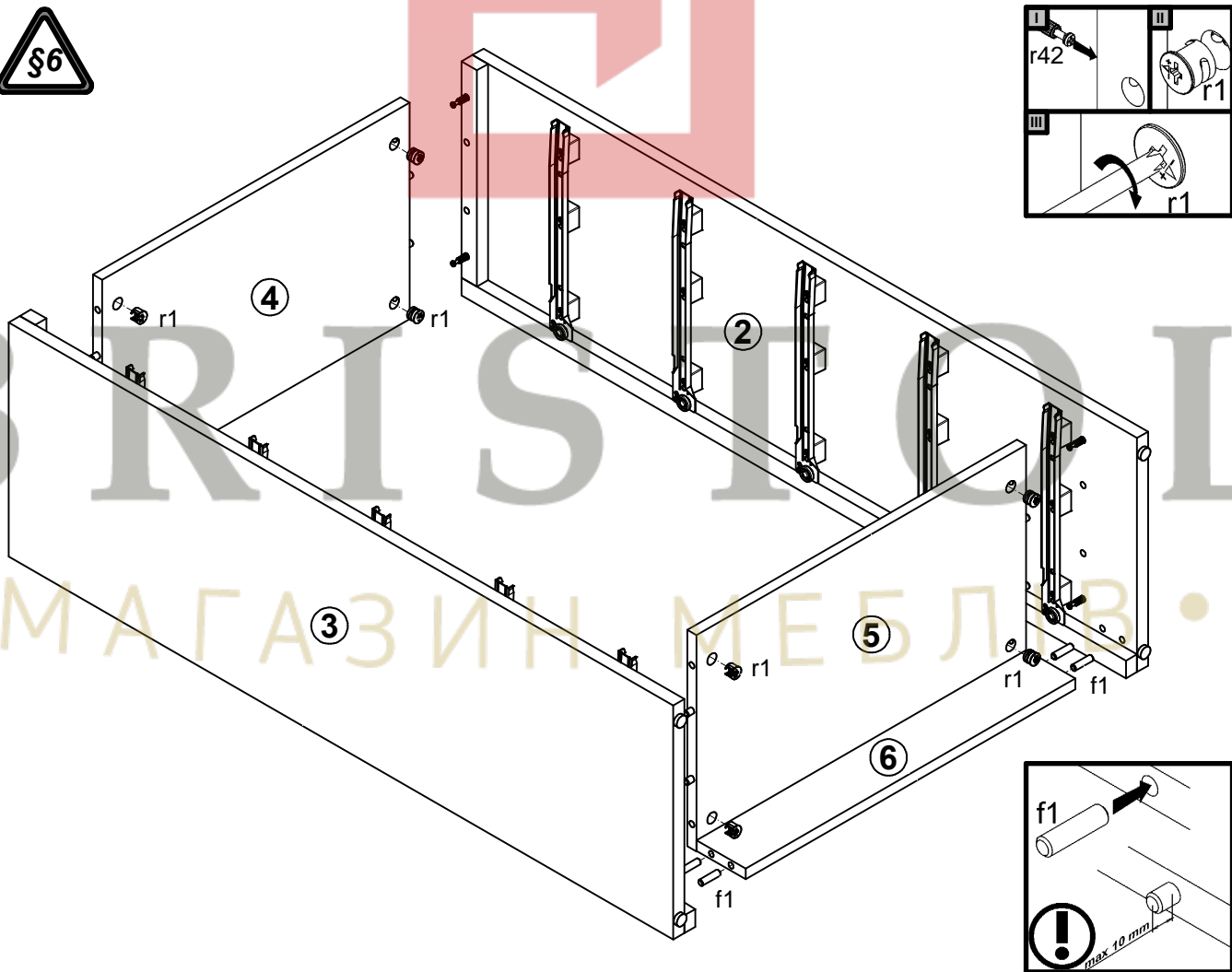


5x L=146/96 <b>c296\3</b>	30x φ6x30 mm <b>e16</b>	20x φ5x9 mm <b>e19</b>	12x φ8x30 mm <b>f1</b>	20x φ6.5x40 mm <b>f25</b>	4x <b>k1</b>	35x <b>l1</b>	10x φ2.9x24 mm <b>p50</b>	8x φ1.5x12mm #16 <b>r1</b>
20x φ12x10.5mm #12 <b>r15</b>	28x <b>r42</b>	30x h=18 mm <b>w36</b>	5x 300 mm <b>w37\CL</b>	5x 300 mm <b>w37\CR</b>	5x 300 mm <b>w37\DL</b>	5x 300 mm <b>w37\DR</b>	1x <b>n26\1</b>	1x φ3.5x16 mm <b>p38</b>

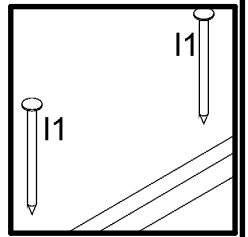
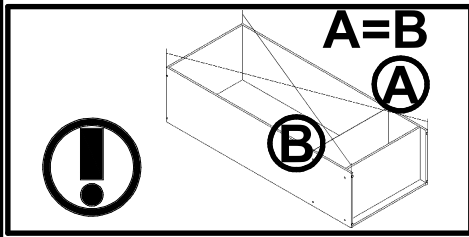
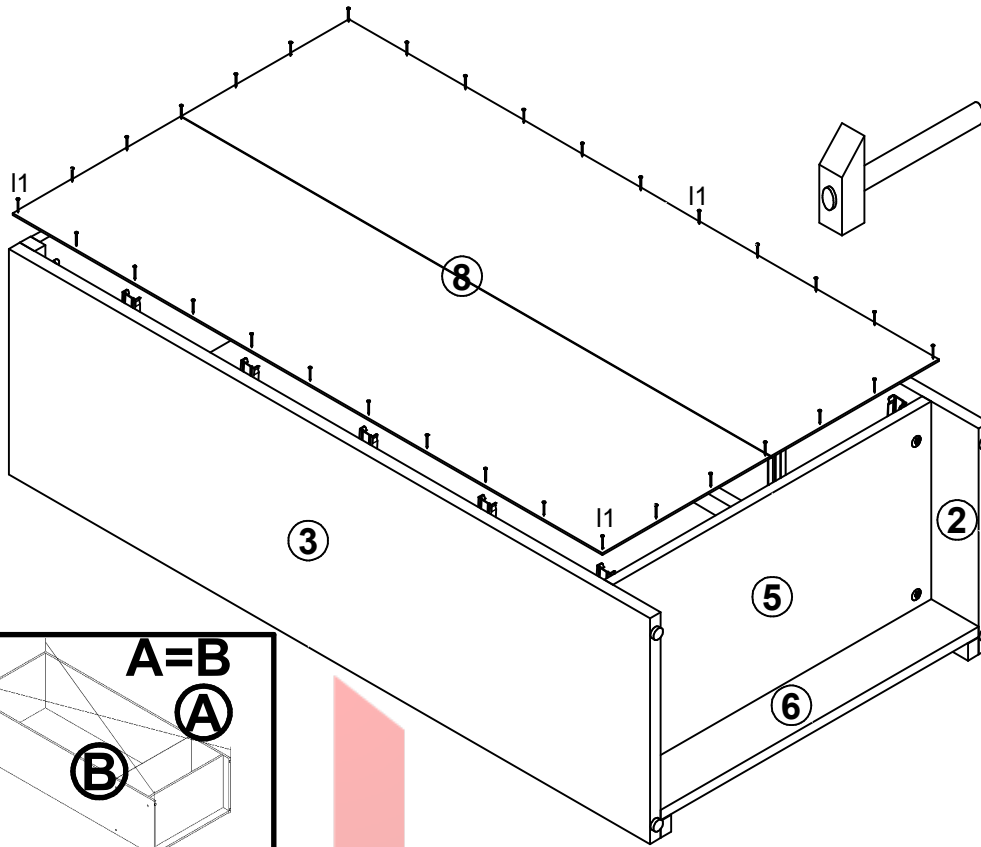
1 



2 



# 3



# 4



I

