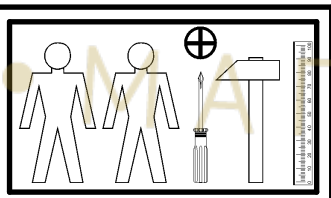
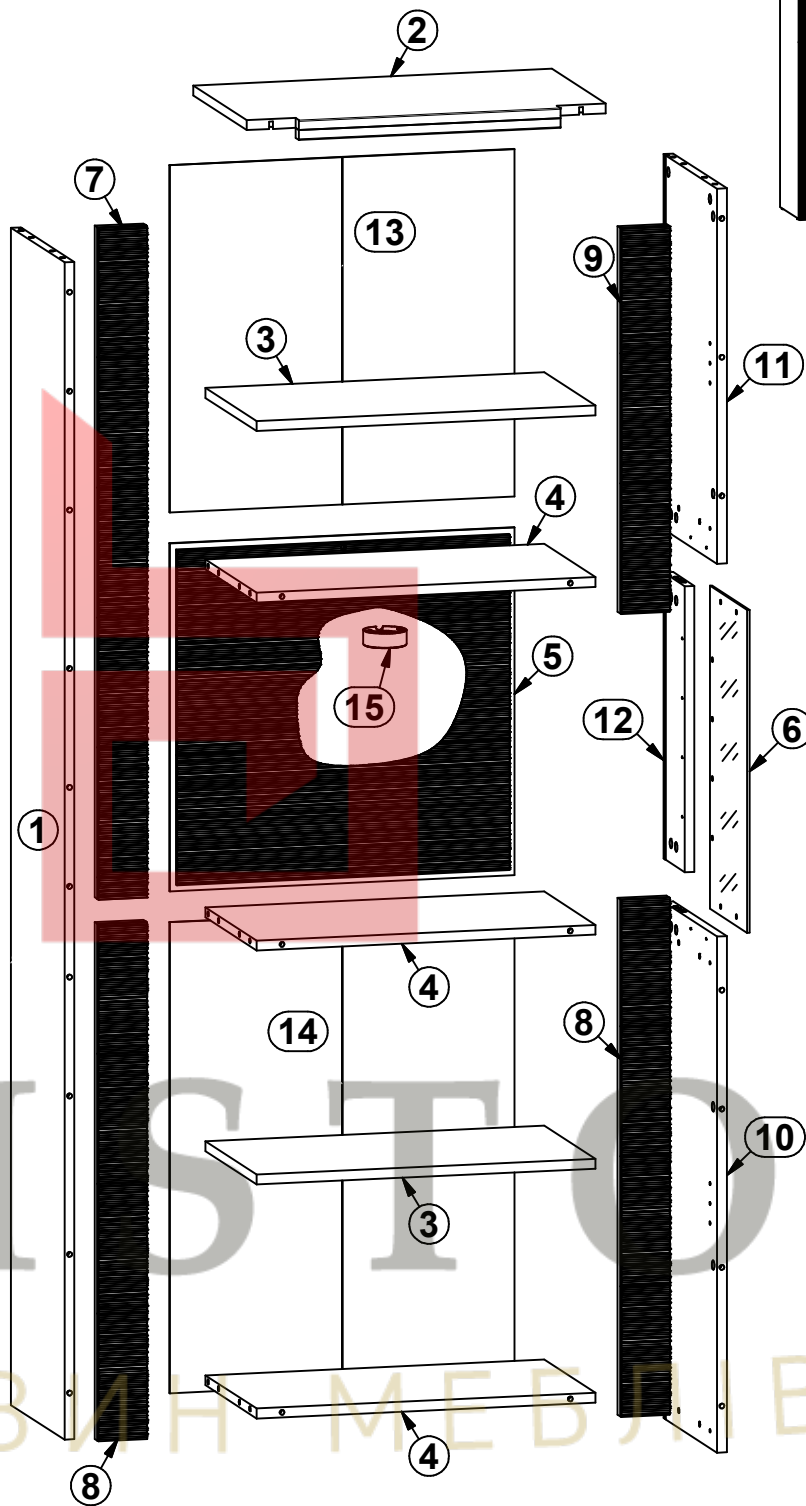
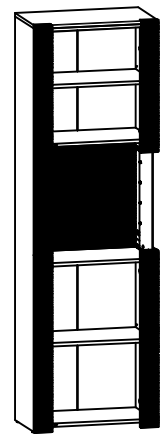


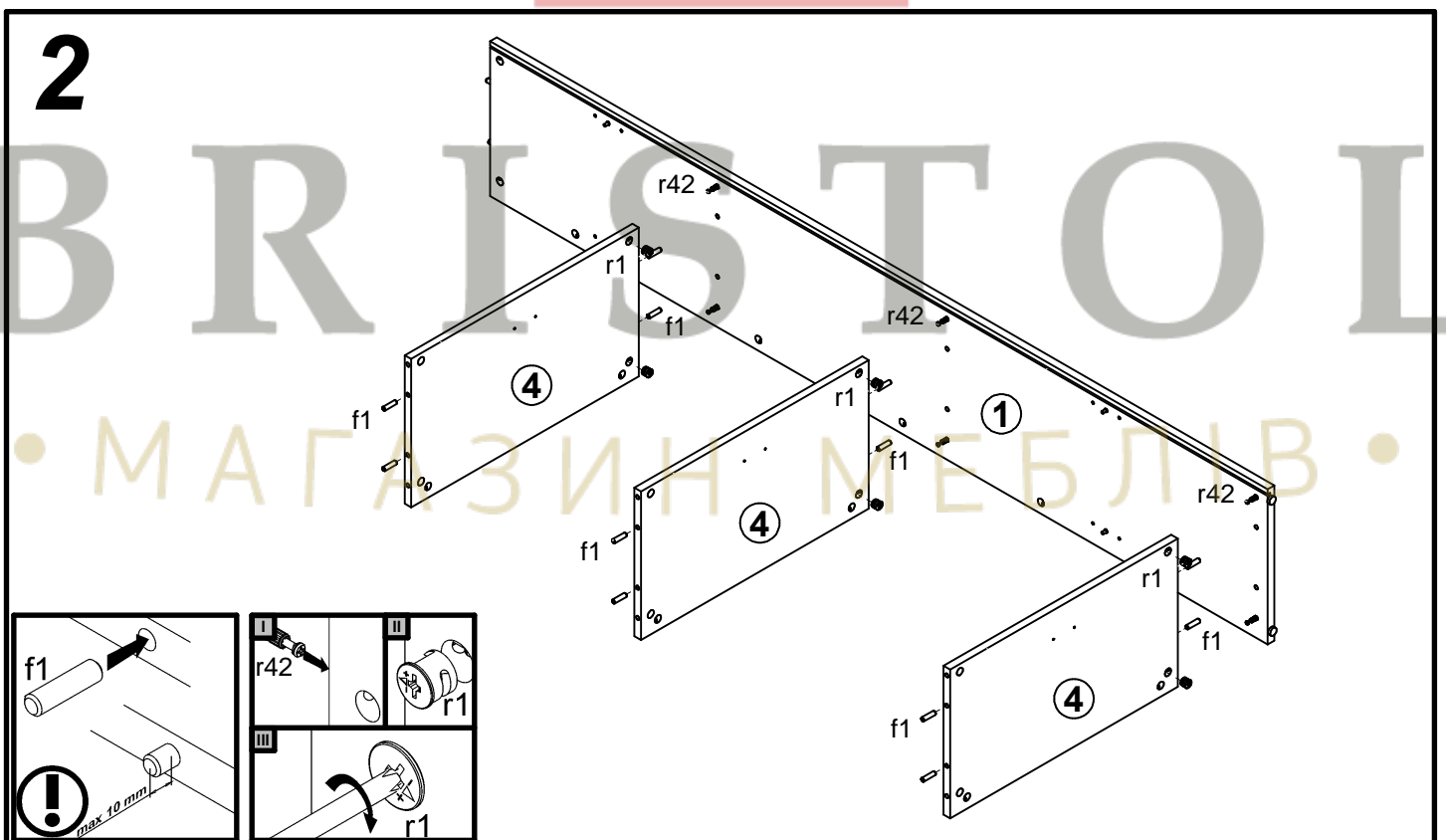
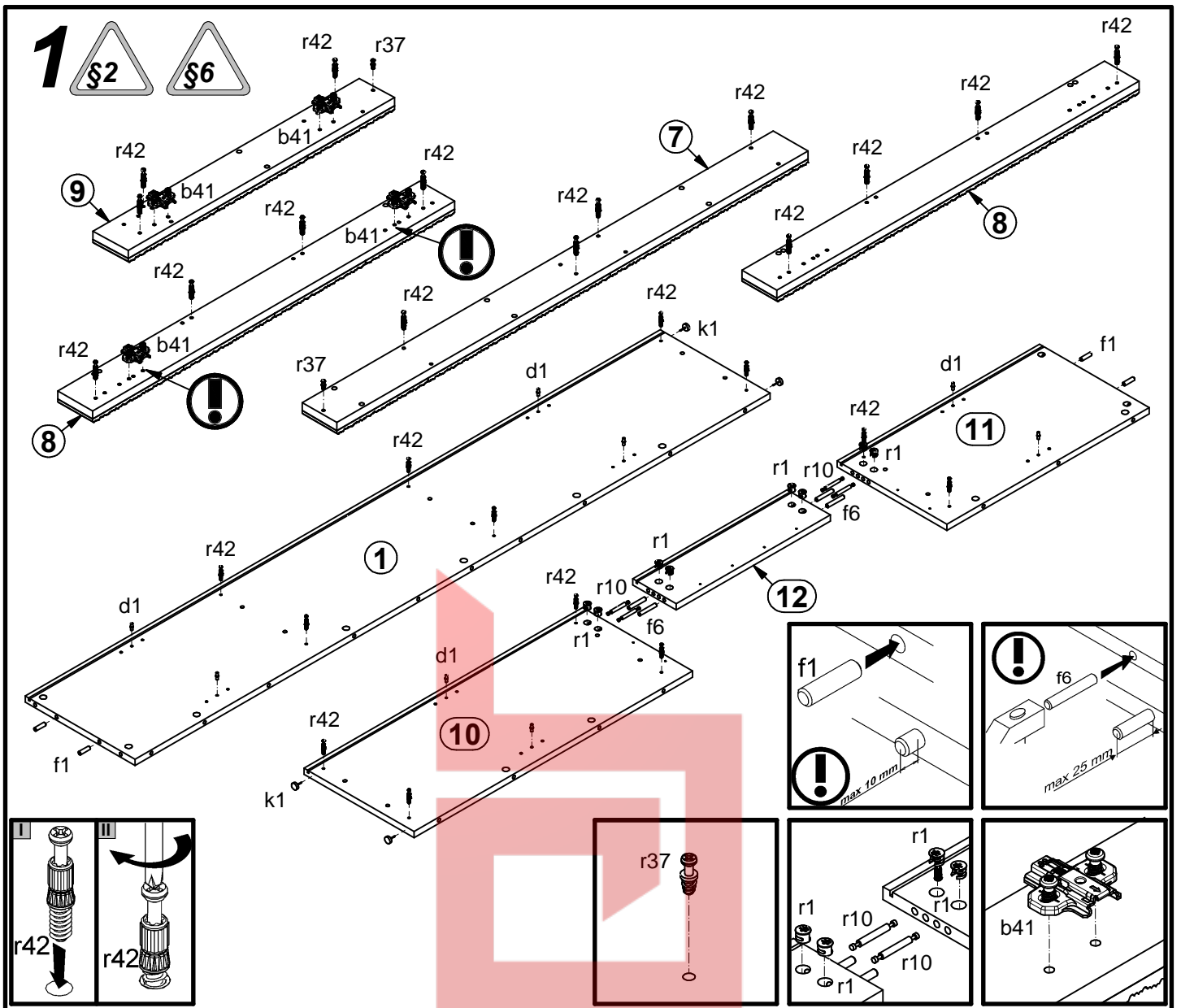
RAFLO

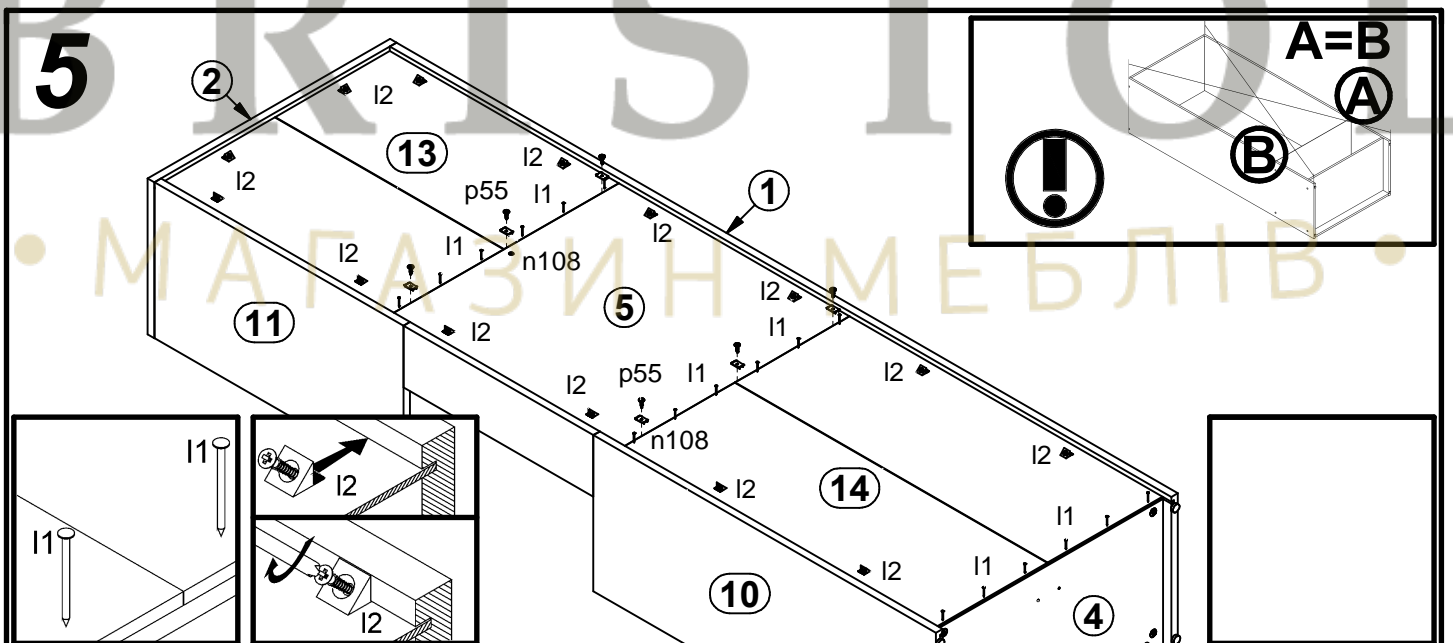
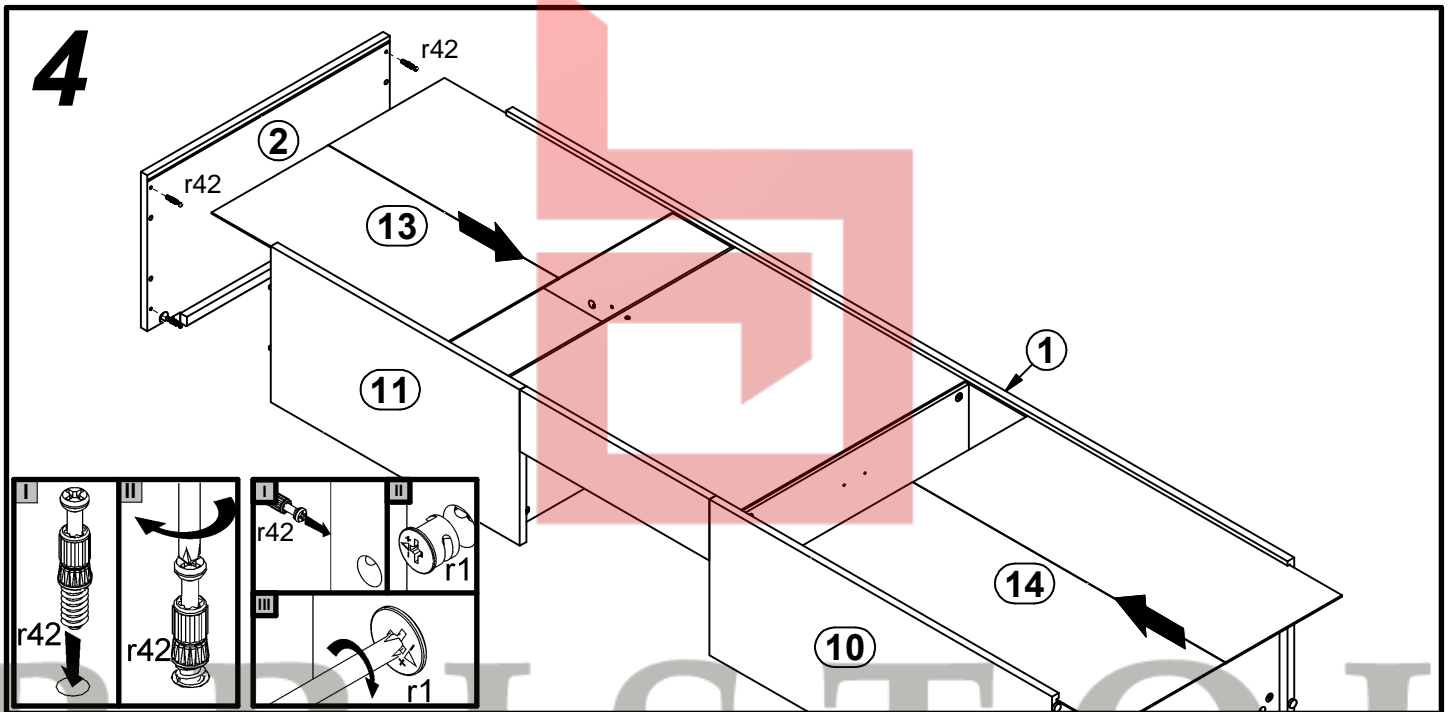
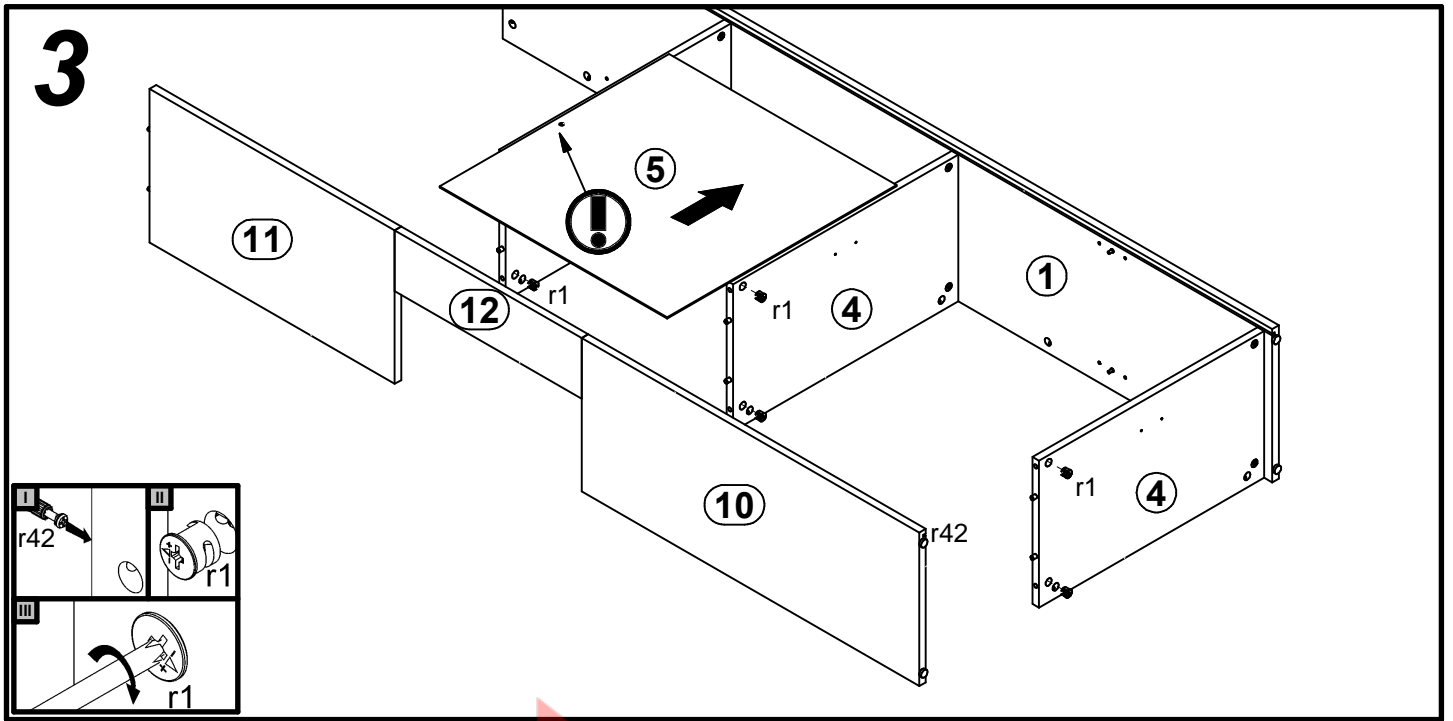
S126-REG1W/19/6_L

A	B	C		D
1	S126-137	1902	329	1/2
2	S126-201	590	351	1/2
3	S126-302	557	315	1/2
4	S126-319	557	315	1/2
5	S126-451	567	562	2/2
6	S126-559	229	522	1/2
7	S126-580	1085	80	1/2
8	S126-581	835	80	1/2
9	S126-582	623	80	1/2
10	S126-741	834	329	1/2
11	S126-742	606	329	1/2
12	S126-743	462	130	1/2
13	S126-9908	561	567	1/2
14	S126-9909	761	567	1/2
15	qa82\1	SPOT		1/2

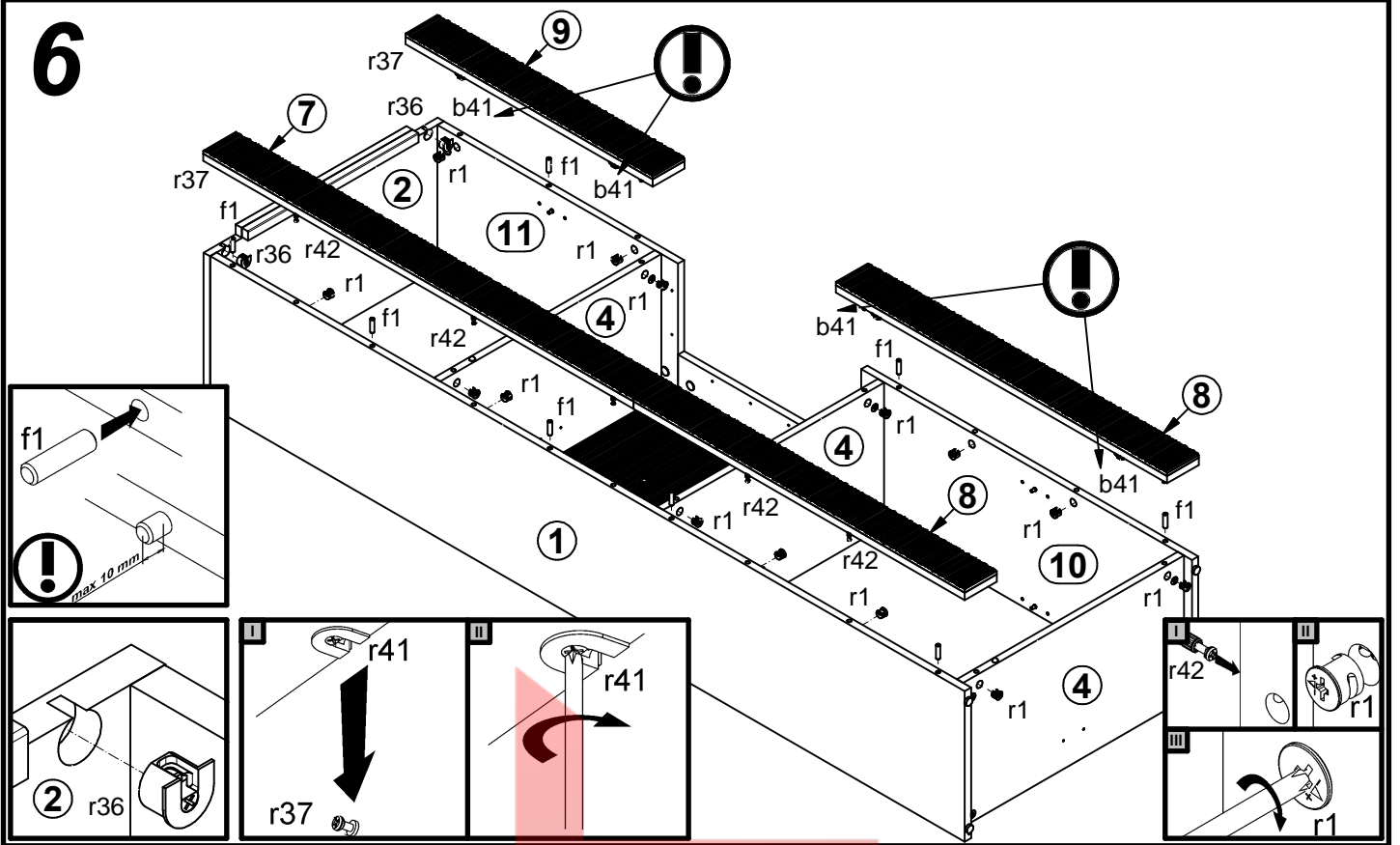


4x a56	4x b41	1x c315	8x d1 φ5x17 mm	24x f1 φ8x30 mm	4x f6 φ8x50 mm	4x k1	20x l1	14x i2
6x n108 20x13x3,5x1 mm	16x o1	1x o48\1	1x o48\2	2x p114	16x p38 φ3,5x16 mm	8x p51 φ3,5x15 mm	2x p54 φ3x12 mm	6x p55 φ2,9x16 mm
39x r1 φ1,5x12mm #16	4x r10	2x r36 φ20x12mm #16	2x r37 6,7x8	31x r42	21x s2 ø16	2x s43 φ11x5 mm	1x n26\1	1x p38 φ3,5x16 mm

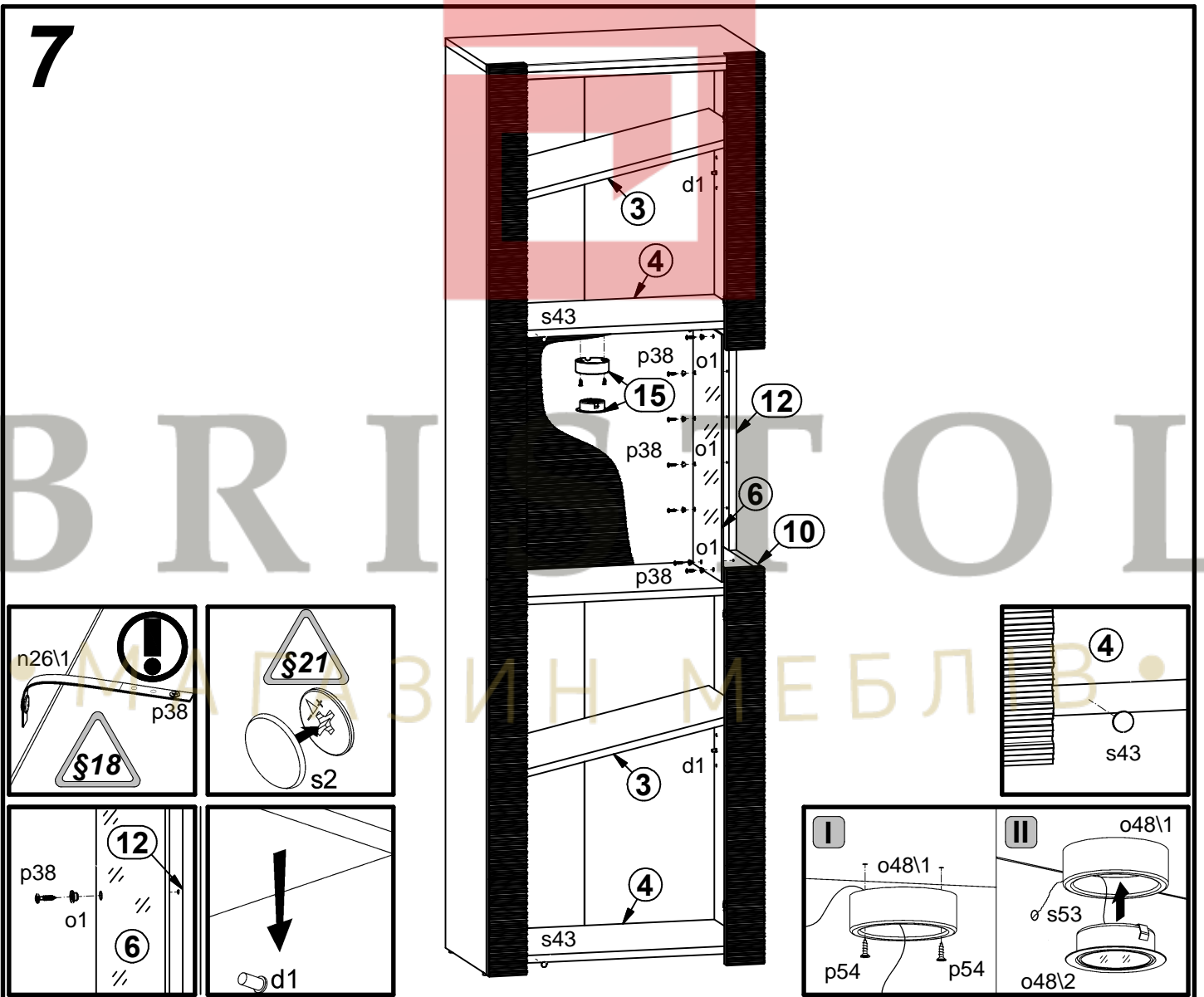




6



7



RAFLO

S126-REG1W/19/6-FRN

A	B	C	D
1	S126-558	484	522
2	S126-703	813	424
3	S126-704	587	424

